



US00D735063S

(12) **United States Design Patent**
Wojciechowski et al.

(10) **Patent No.:** **US D735,063 S**
(45) **Date of Patent:** **** Jul. 28, 2015**

- (54) **LEVEL**
- (71) Applicant: **Johnson Level & Tool Mfg. Co., Inc.**,
Mequon, WI (US)
- (72) Inventors: **Timothy J. Wojciechowski**, Hubertus,
WI (US); **William G. Johnson**, Mequon,
WI (US); **Dave Statza**, Menomonee
Falls, WI (US)
- (73) Assignee: **Johnson Level & Tool Mfg. Co., Inc.**,
Mequon, WI (US)
- (**) Term: **14 Years**
- (21) Appl. No.: **29/473,785**
- (22) Filed: **Nov. 26, 2013**
- (51) **LOC (10) Cl.** **10-04**
- (52) **U.S. Cl.**
USPC **D10/69**
- (58) **Field of Classification Search**
USPC D10/69; 33/365, 366.11-366.27,
33/367-391
CPC G01C 9/18; G01C 9/24; G01C 9/26;
G01C 9/28; G01C 9/32; G10C 9/34
See application file for complete search history.

- D503,349 S * 3/2005 Webb D10/69
- D507,194 S 7/2005 Budrow et al.
- D509,158 S * 9/2005 Silberberg D10/69
- D513,198 S 12/2005 Levinson
- D519,863 S 5/2006 Kim
- D521,882 S 5/2006 Kim
- 7,152,335 B2 12/2006 Nichols
- D538,186 S * 3/2007 Silberberg D10/69
- D576,063 S * 9/2008 Silberberg D10/69
- D580,283 S * 11/2008 Liao D10/69
- D582,302 S 12/2008 Johnson et al.
- D595,165 S * 6/2009 Silberberg D10/69
- D598,310 S * 8/2009 Liao D10/69
- D613,194 S * 4/2010 Silberberg D10/69
- D625,630 S 10/2010 Levinson
- D628,914 S 12/2010 Kim et al.
- 7,946,045 B2 5/2011 Allemand
- 8,061,051 B2 11/2011 Allemand
- D694,659 S 12/2013 Yong et al.
- 2013/0269196 A1 * 10/2013 Steele et al. 33/379

* cited by examiner

Primary Examiner — Antoine D Davis
(74) *Attorney, Agent, or Firm* — Boyle Fredrickson, S.C.

(57) **CLAIM**
The ornamental design of a level, as shown and described.

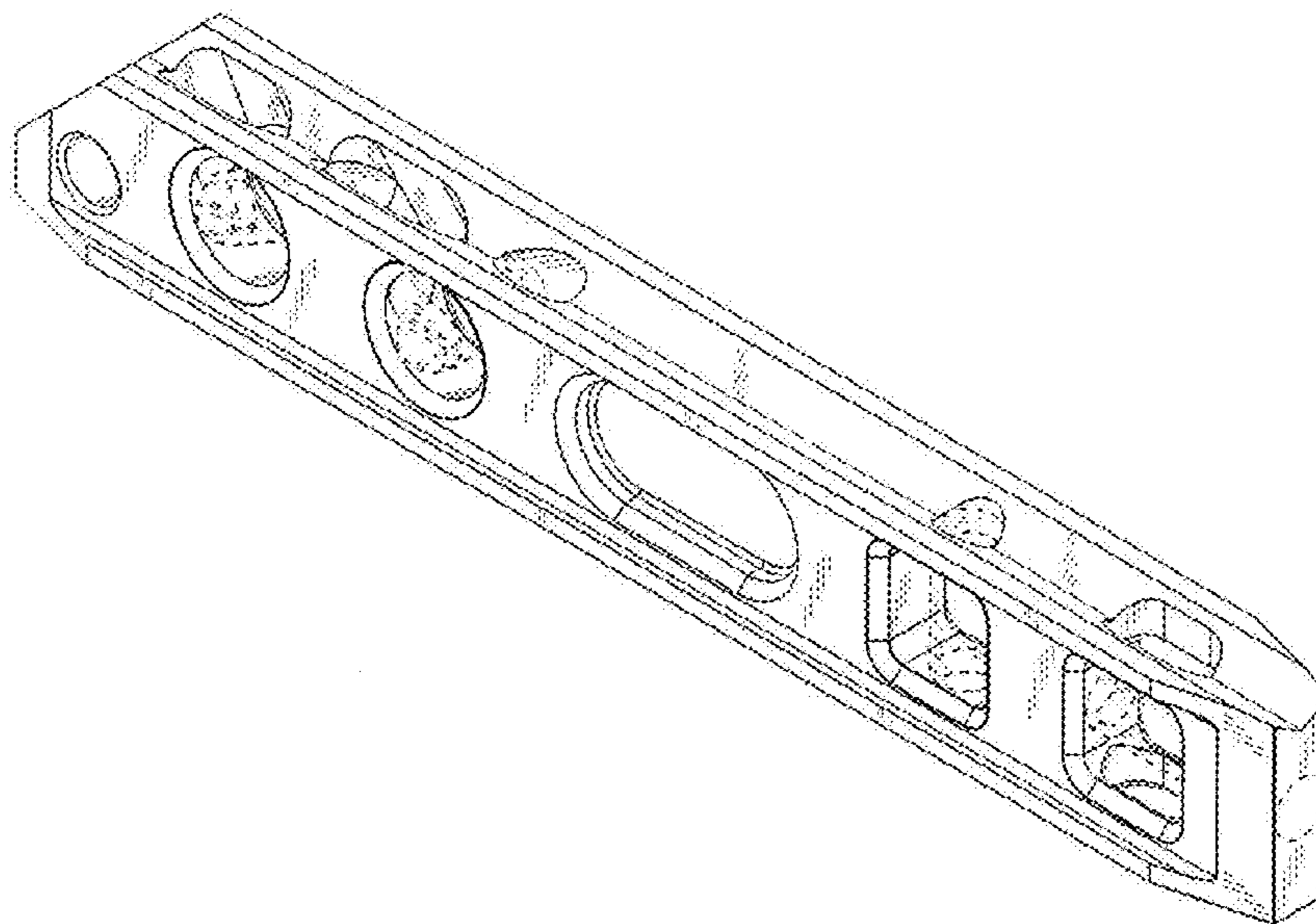
DESCRIPTION

FIG. 1 is an isometric view of a level incorporating our new design, wherein the portions in phantom form no part of the claimed design;
FIG. 2 is a front elevation view thereof;
FIG. 3 is a right side elevation view thereof;
FIG. 4 is a top plan view thereof;
FIG. 5 is a left end elevation view thereof;
FIG. 6 is a bottom plan view thereof; and,
FIG. 7 is a rear elevation view thereof.

1 Claim, 7 Drawing Sheets

(56) **References Cited**
U.S. PATENT DOCUMENTS

- D332,226 S 1/1993 Hutchins et al.
- D371,309 S * 7/1996 Webb D10/69
- D411,470 S * 6/1999 Webb D10/69
- D412,857 S 8/1999 Howard et al.
- D415,436 S 10/1999 Martone
- D469,370 S 1/2003 Gruetzmacher et al.
- D472,168 S 3/2003 Levinson
- 6,568,095 B2 5/2003 Snyder



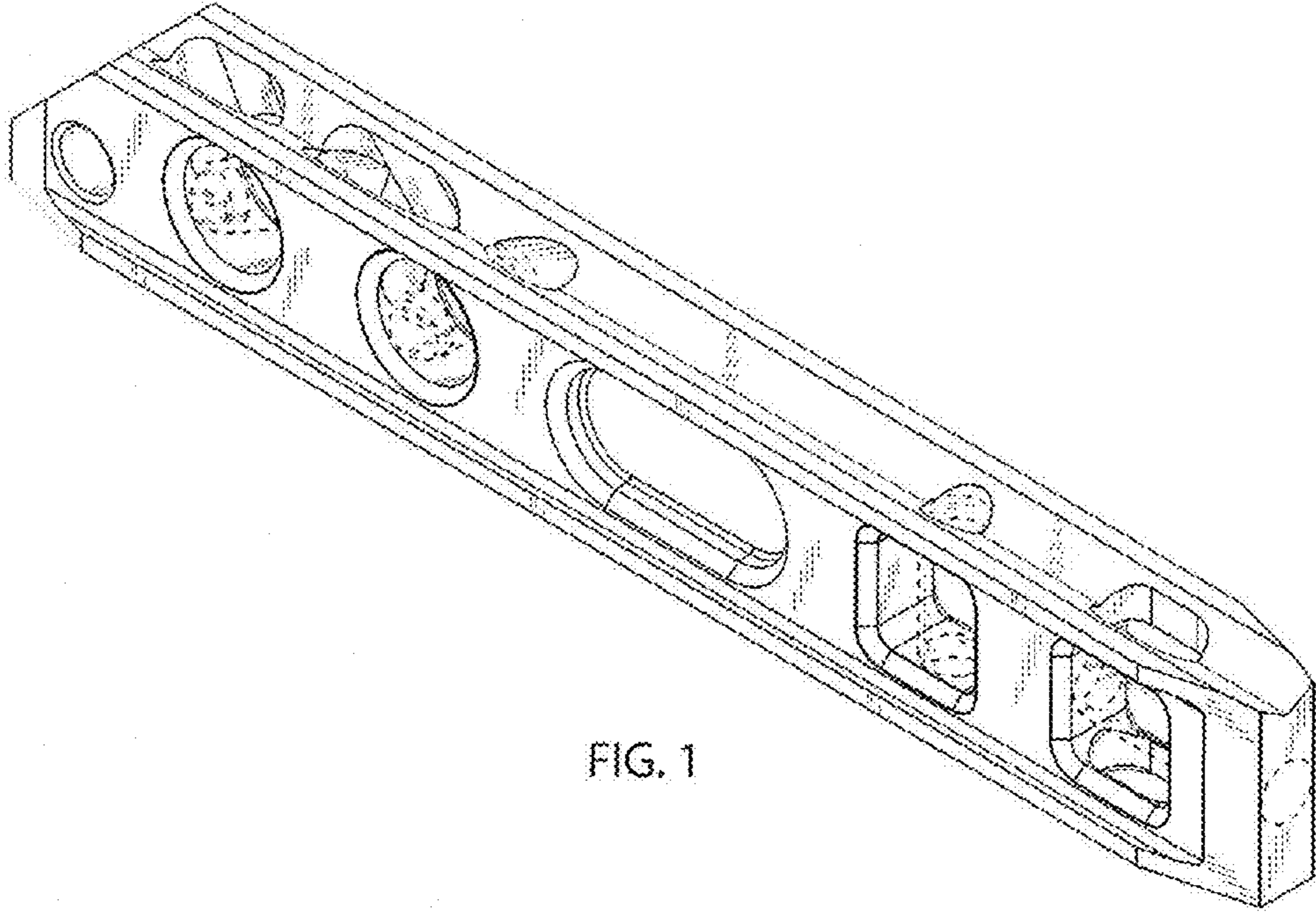


FIG. 1

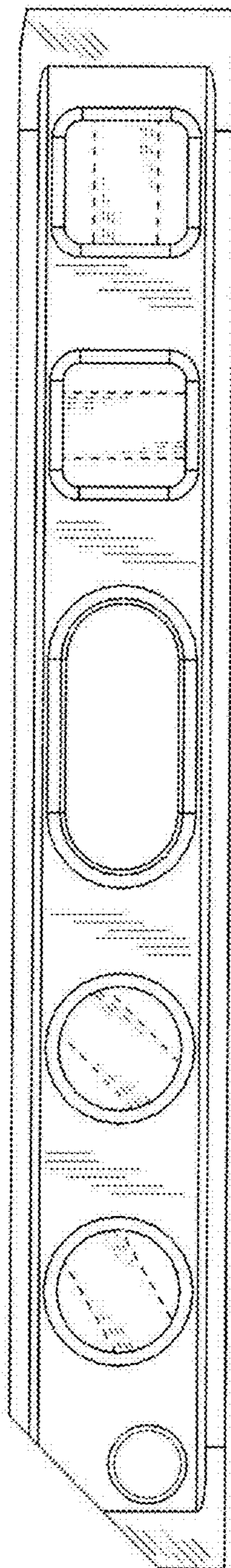


FIG. 2

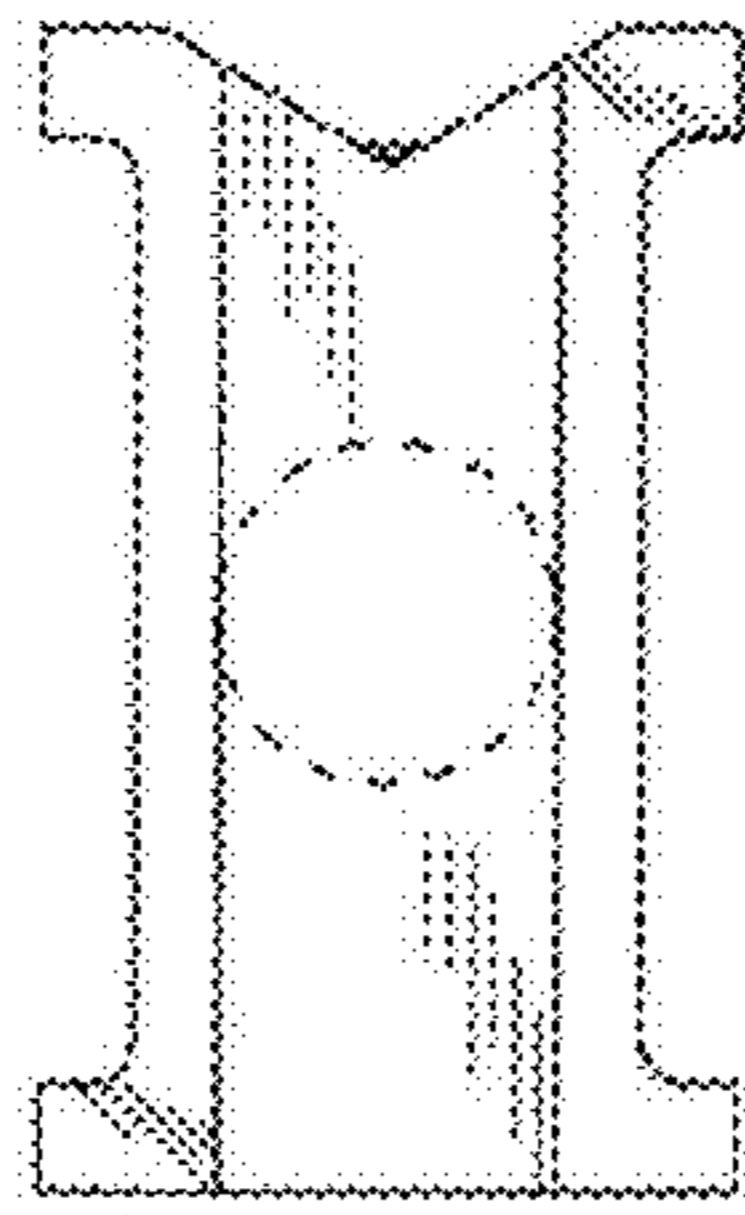


FIG. 3

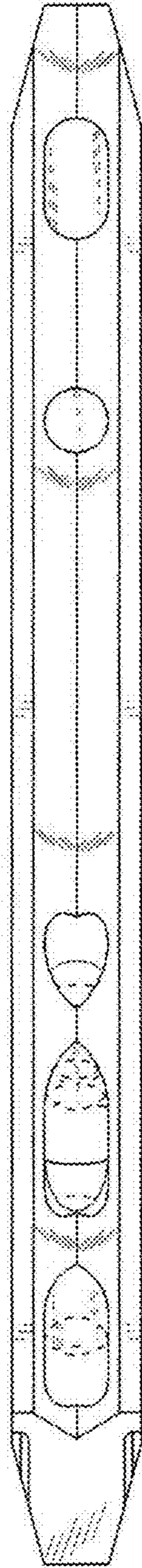


FIG. 4

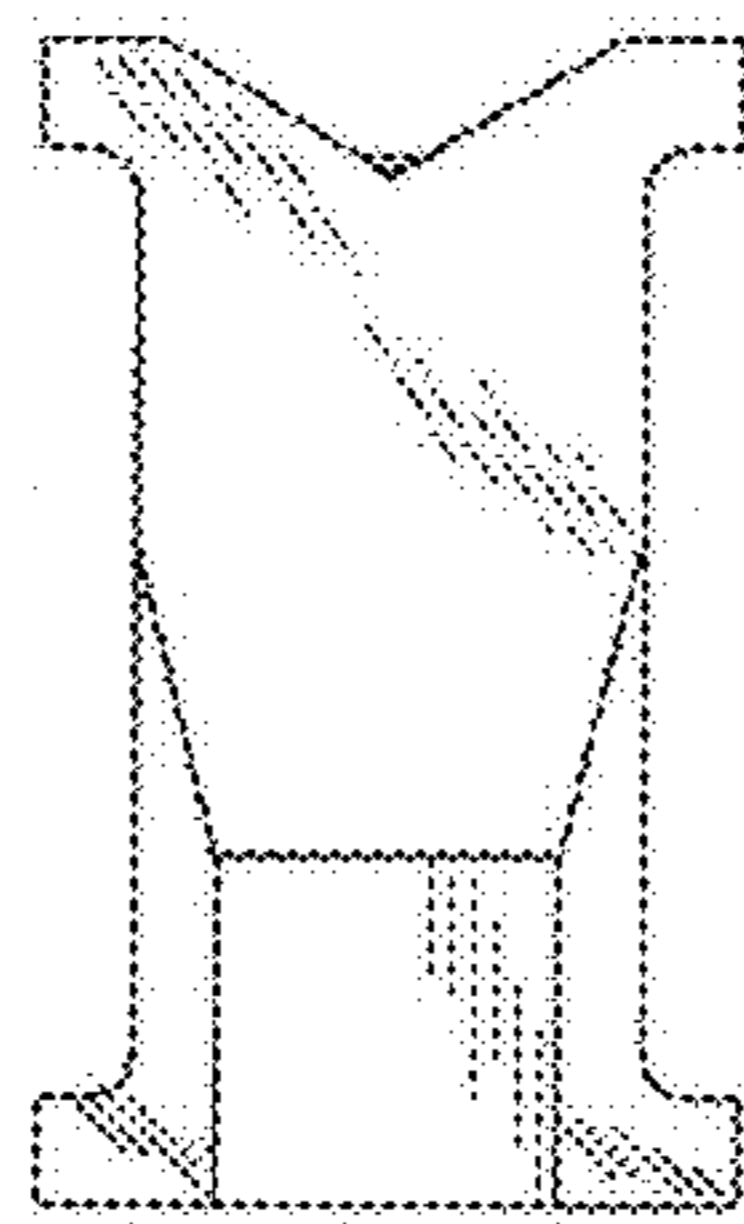


FIG. 5

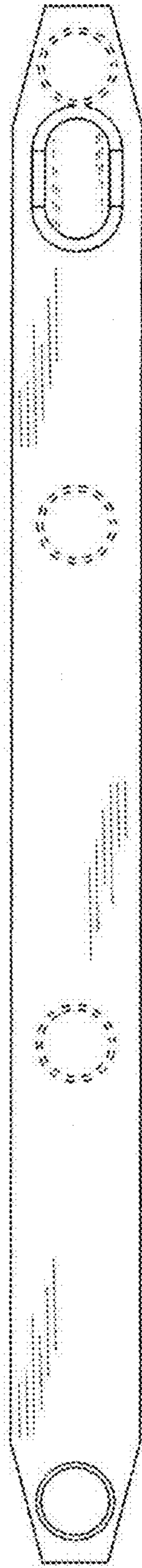


FIG. 6

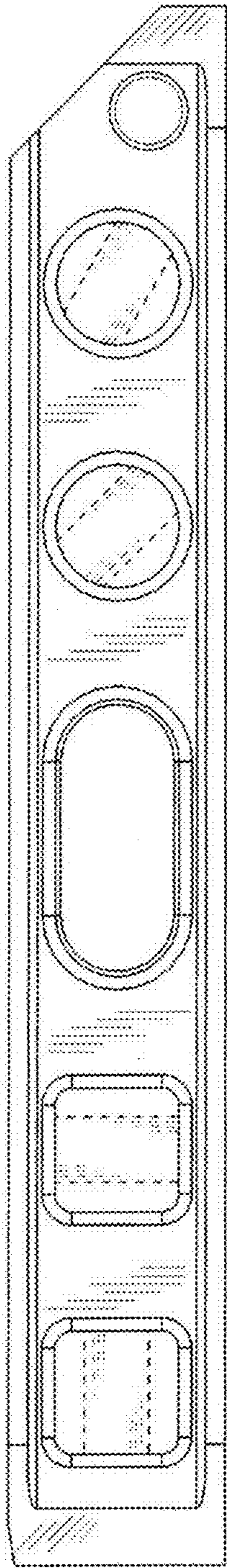


FIG. 7