



US00D735056S

(12) **United States Design Patent**
Hamel

(10) **Patent No.:** **US D735,056 S**
(45) **Date of Patent:** **** Jul. 28, 2015**

(54) **WATCH**

(71) Applicant: **Montblanc-Simplo GmbH**, Hamburg
(DE)

(72) Inventor: **Anais Hamel**, La Chaux-de-Fonds (CH)

(73) Assignee: **Montblanc-Simplo GmbH**, Hamburg
(DE)

(**) Term: **14 Years**

(21) Appl. No.: **29/434,138**

(22) Filed: **Oct. 10, 2012**

(51) **LOC (10) Cl.** **10-02**

(52) **U.S. Cl.**
USPC **D10/30; D10/39; D10/126**

(58) **Field of Classification Search**
USPC D10/30–39, 122–132, 1–29;
368/15–19, 21, 22, 27, 28, 30, 37, 62,
368/80, 127, 276, 281, 309
CPC G04B 3/04; G04B 3/043; G04B 17/28;
G04B 17/285; G04B 19/00; G04B 19/04;
G04B 19/24; G04B 37/00; G04B 37/0008;
G04F 7/08
See application file for complete search history.

(56) **References Cited**

U.S. PATENT DOCUMENTS

490,123	A *	1/1893	Nicolet	368/104
2,361,563	A *	10/1944	Pellaton	368/80
3,901,023	A *	8/1975	Uebelhardt	368/281
5,339,293	A *	8/1994	Kamiyama et al.	368/21
6,847,589	B2 *	1/2005	Wilmouth	368/17

D505,342	S *	5/2005	Hayek	D10/39
D564,930	S *	3/2008	Kume	D10/126
D580,809	S *	11/2008	Inoue	D10/126
7,527,423	B2 *	5/2009	Ruchonnet et al.	368/127
D615,883	S *	5/2010	Laucella	D10/39
8,036,066	B2 *	10/2011	Schlencker et al.	368/22
D649,481	S *	11/2011	Crocco	D10/39
D677,176	S *	3/2013	Ruffieux	D10/39
D685,281	S *	7/2013	Hamel	D10/126
D687,329	S *	8/2013	Hamel	D10/126
D691,504	S *	10/2013	Ruffieux	D10/126
2010/0046328	A1 *	2/2010	Olsen	368/30
2011/0063953	A1 *	3/2011	Hasegawa et al.	368/80

* cited by examiner

Primary Examiner — Martie K Holtje

(74) *Attorney, Agent, or Firm* — Taft Stettinius & Hollister
LLP

(57) **CLAIM**

The ornamental design for a watch, as shown and described.

DESCRIPTION

FIG. 1 is a top view of the watch of the present invention.
FIG. 2 is a bottom view of the watch of FIG. 1.
FIG. 3 is a front view of the watch of FIG. 1.
FIG. 4 is a rear view of the watch of FIG. 1.
FIG. 5 is a right side view of the watch of FIG. 1.
FIG. 6 is a left side view of the watch of FIG. 1; and,
FIG. 7 is a top, right-side perspective view of the watch of
FIG. 1.

The structural features depicted by the broken lines in FIGS.
2 through 7 have been shown for the purpose of illustrating
portions of the watch that from no part of the claimed design.

1 Claim, 2 Drawing Sheets





Fig. 1

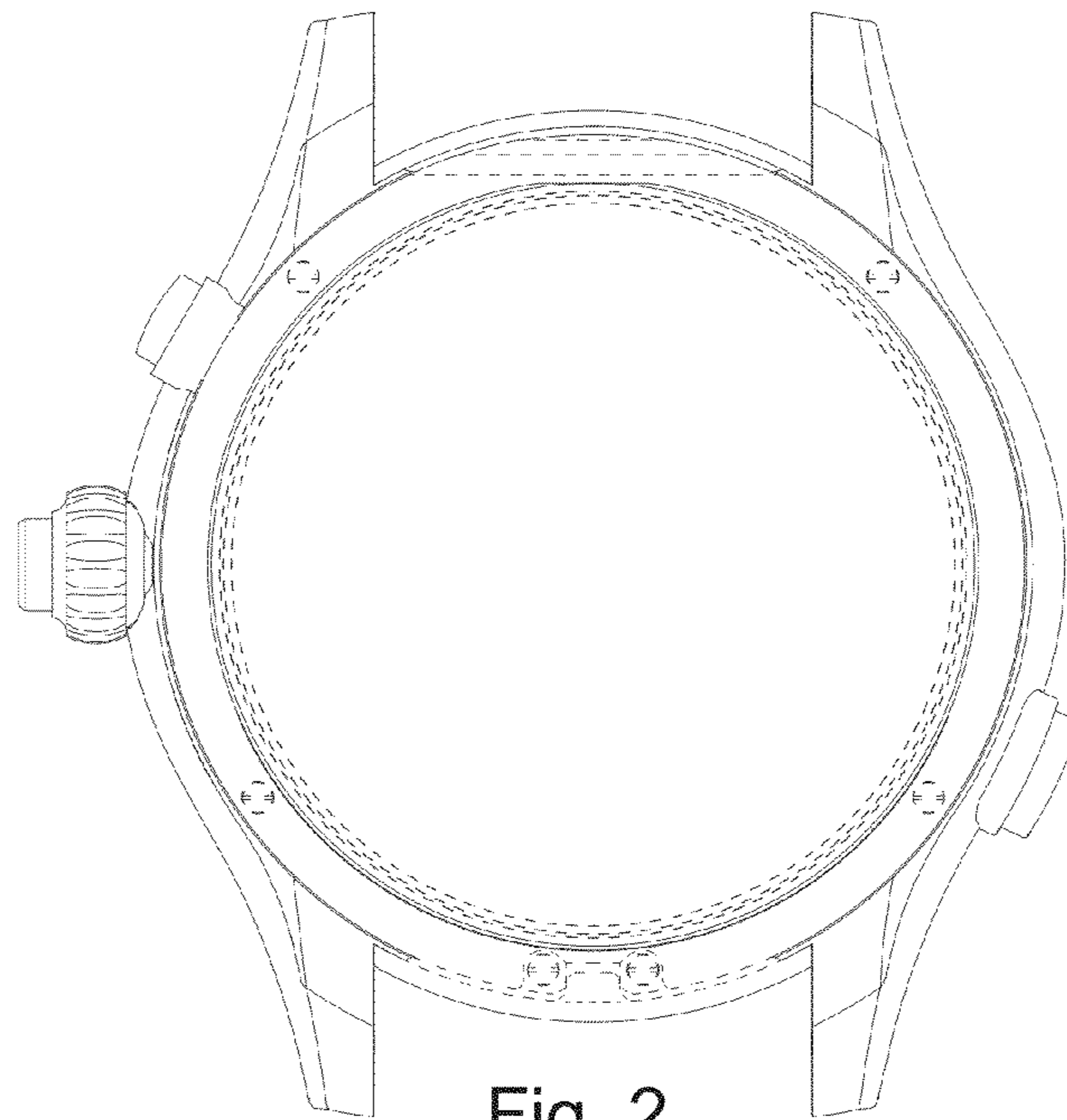


Fig. 2

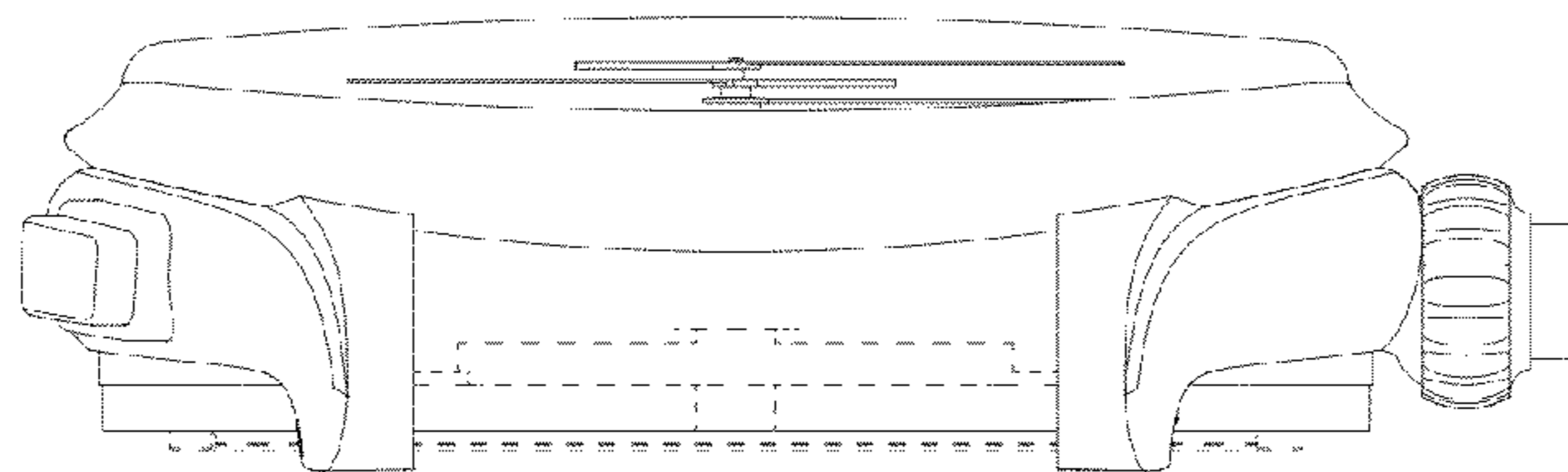


Fig. 3

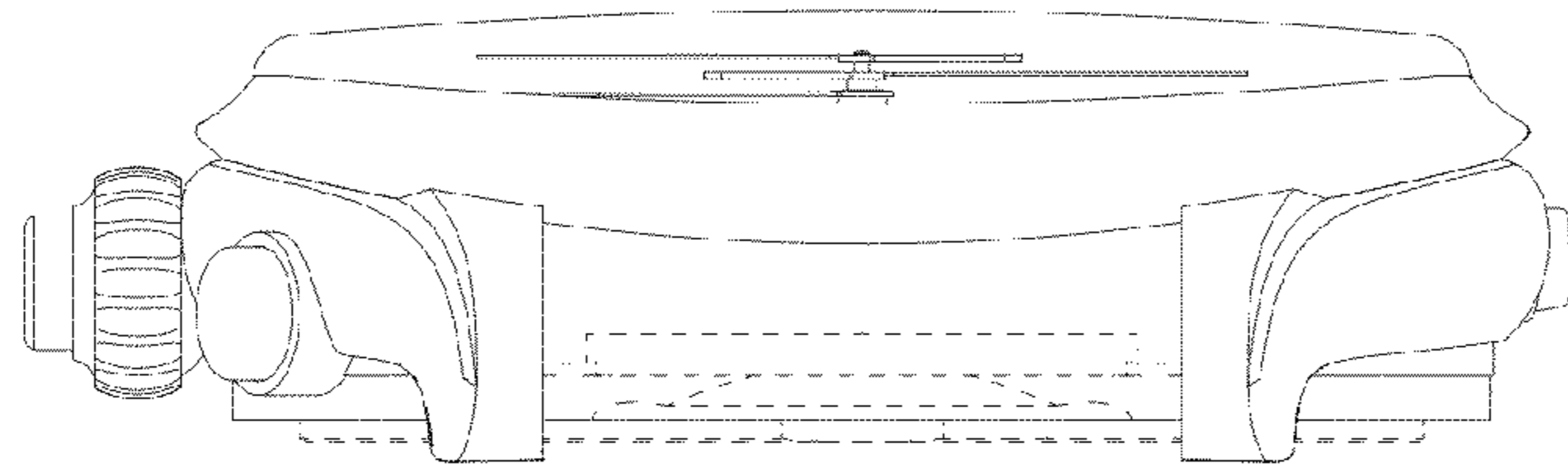


Fig. 4

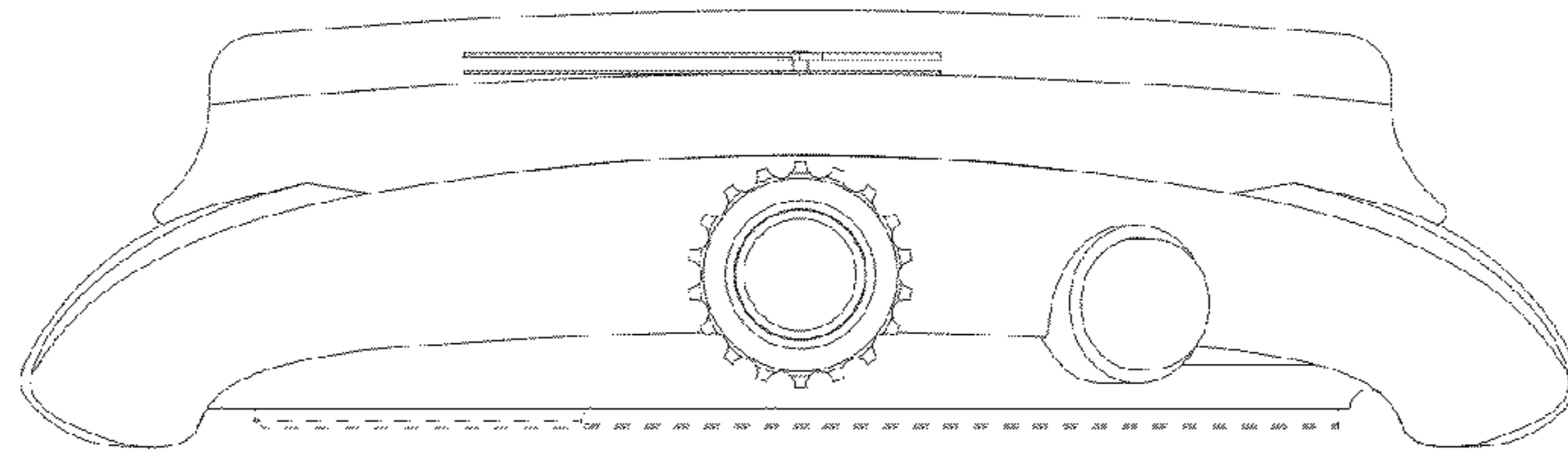


Fig. 5

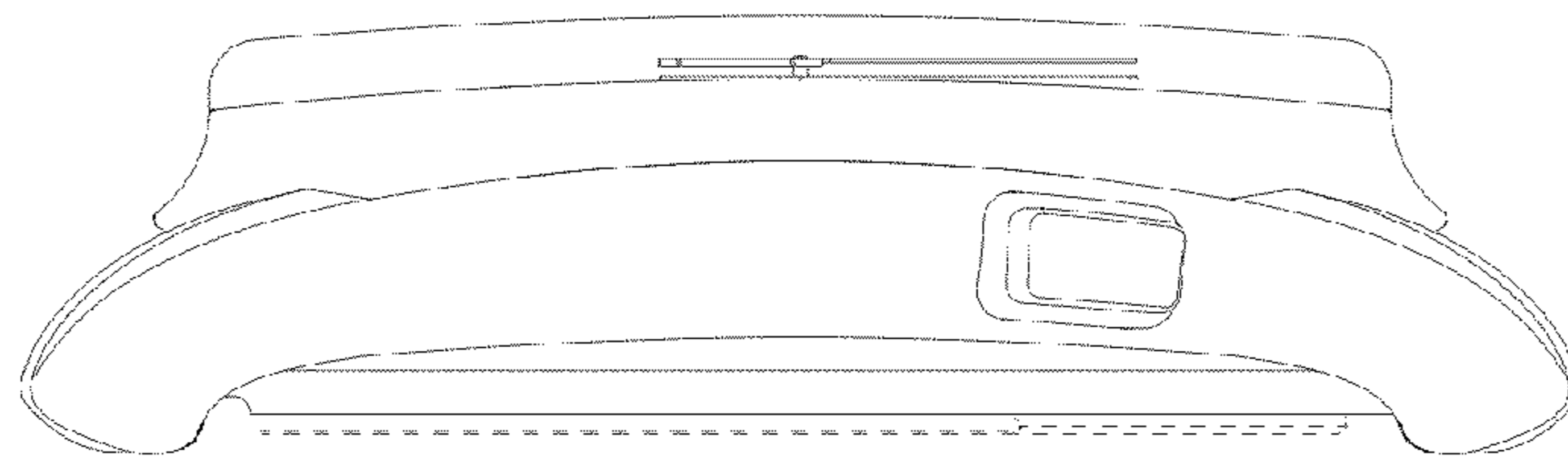


Fig. 6

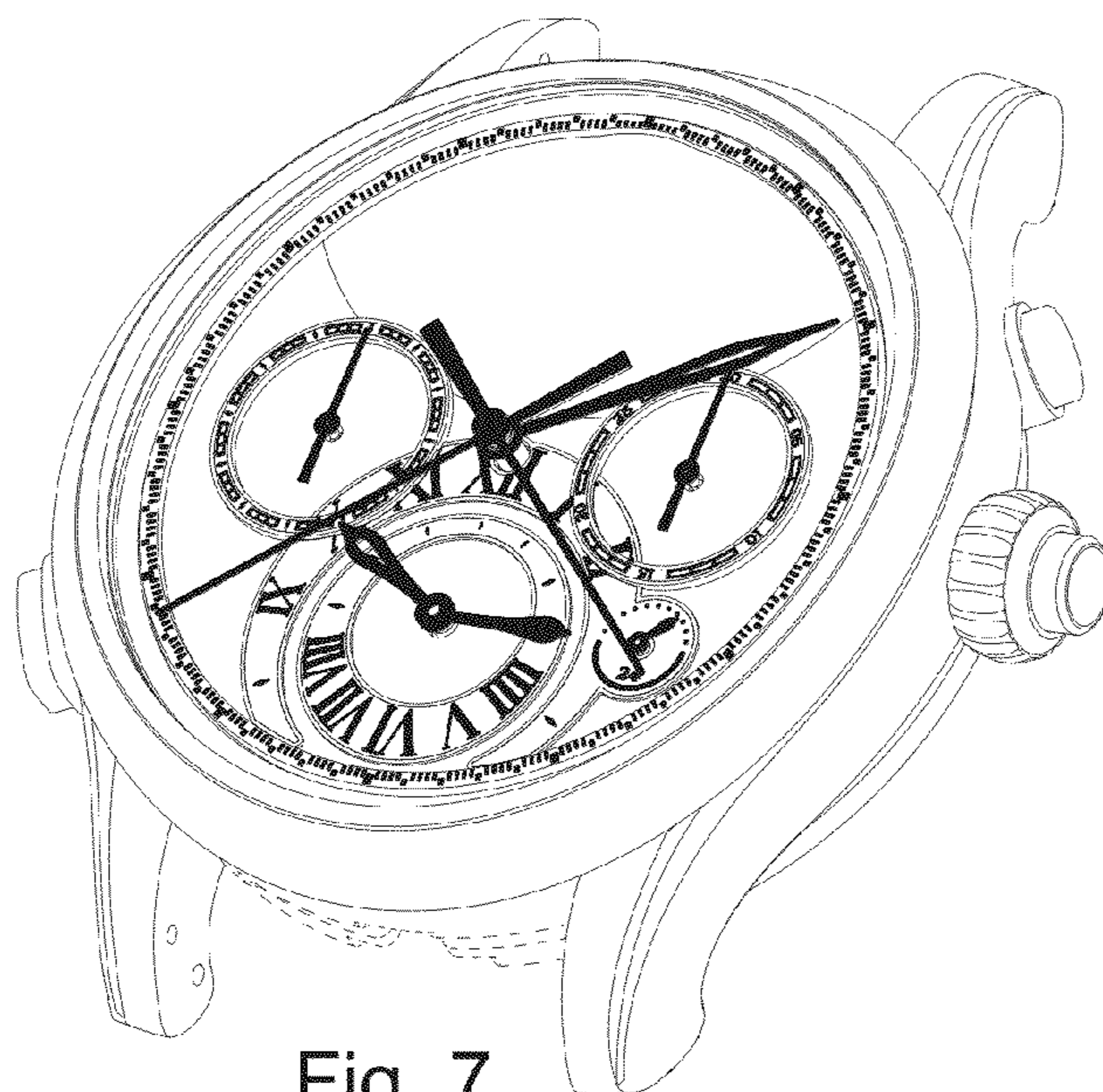


Fig. 7