



US00D735055S

(12) **United States Design Patent**
Fisher et al.

(10) **Patent No.:** **US D735,055 S**
(45) **Date of Patent:** **** Jul. 28, 2015**

(54) **MULTI-POCKET HOTDOG PACKAGE**

(71) Applicant: **Fisher Packing Company**, Portland, IN (US)

(72) Inventors: **Gregory J. Fisher**, Portland, IN (US);
Bradley J. Fisher, Bryant, IN (US)

(73) Assignee: **Fisher Packing Company**, Portland, IN (US)

(**) Term: **14 Years**

(21) Appl. No.: **29/470,038**

(22) Filed: **Oct. 17, 2013**

(51) **LOC (10) Cl.** **09-01**

(52) **U.S. Cl.**
USPC **D9/722**

(58) **Field of Classification Search**
USPC D9/414, 418, 420, 432, 433, 707, 715,
D9/720, 721, 732, 737, 761; 206/45.25,
206/216, 223, 525, 525.1, 738, 739, 745,
206/769, 770, 775, 776, 779; 229/162.1,
229/164.1, 164.2, 87.06, 87.08, 902;
220/123.2; 426/119, 122, 123, 127,
426/129

CPC B65D 5/4204; B65D 85/36; B65D 75/26;
B65D 2501/24019; B65D 75/38; B65D
2543/00296; B65D 77/003; B65D 85/00;
B65D 77/02; B65D 75/28; B65D 75/5855;
B65D 25/54; B65D 75/522; B65D 75/58;
B65D 81/2023; B65D 5/16; B65D 75/66;
B65D 81/3461; B65D 75/20; B65D 81/32;
B65D 81/34; B65D 1/28; B65D 5/566;
B65D 75/5833; B65D 77/30; B65D 77/2032;
B65D 5/541; B65D 5/60; B65D 71/00;
B65D 77/04; B65D 81/2084; B65D

2101/0023; B65D 75/367; B65D 77/2096;
B65D 1/0223; B65D 2543/00694; B65D
25/36; B65D 2501/24687; B65D 31/12;
B65D 5/2033; B65D 5/5088; B65D 71/0085;
B65D 75/22

See application file for complete search history.

(56) **References Cited**

U.S. PATENT DOCUMENTS

D138,754	S	*	9/1944	Salfisberg	D9/707
3,152,745	A	*	10/1964	Rumsey, Jr.	229/87.06
3,490,576	A	*	1/1970	Alessi et al.	206/749
3,792,181	A	*	2/1974	Mahaffy et al.	426/123
3,903,309	A	*	9/1975	Mahaffy et al.	426/129
RE31,571	E	*	5/1984	Mann	206/443
5,770,249	A	*	6/1998	Mello et al.	426/119
D556,600	S	*	12/2007	Galantai et al.	D9/722
D718,642	S	*	12/2014	Tilahun	D9/720
2008/0063759	A1	*	3/2008	Raymond et al.	426/127

* cited by examiner

Primary Examiner — Derrick Holland

Assistant Examiner — Lauren Calve

(74) *Attorney, Agent, or Firm* — Woodard, Emhardt,
Moriarty, McNett & Henry LLP

(57) **CLAIM**

The ornamental design for a multi-pocket hotdog package, as shown and described.

DESCRIPTION

FIG. 1 is a perspective view of a multi-pocket hotdog package showing our new design;

FIG. 2 is a top view thereof;

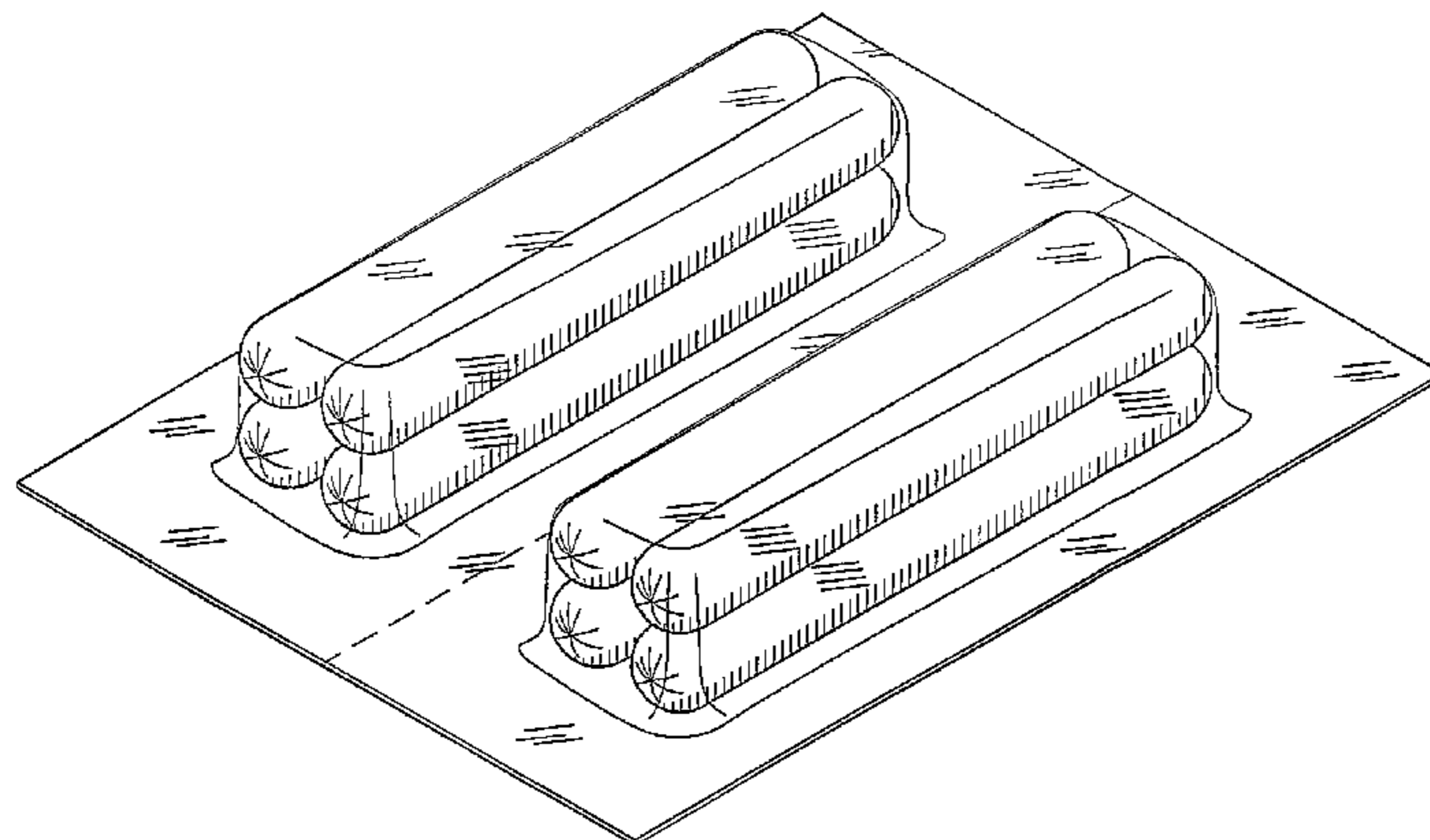
FIG. 3 is a front view thereof, the rear view being identical thereto;

FIG. 4 is a right side view thereof, the left hand side being identical thereto; and,

FIG. 5 is a bottom view thereof.

The broken lines shown represent perforation and form part of the claimed design.

1 Claim, 4 Drawing Sheets



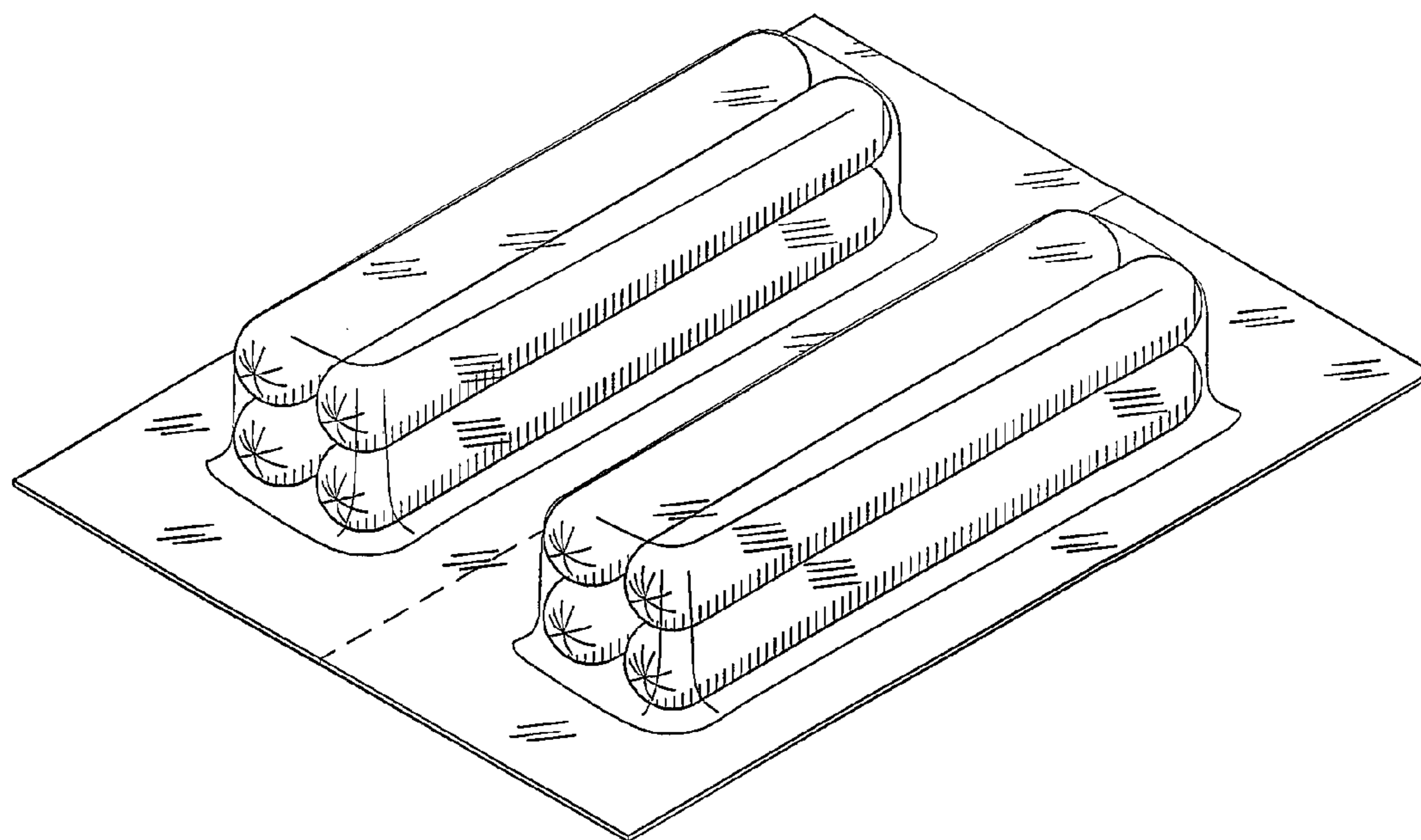


Fig. 1

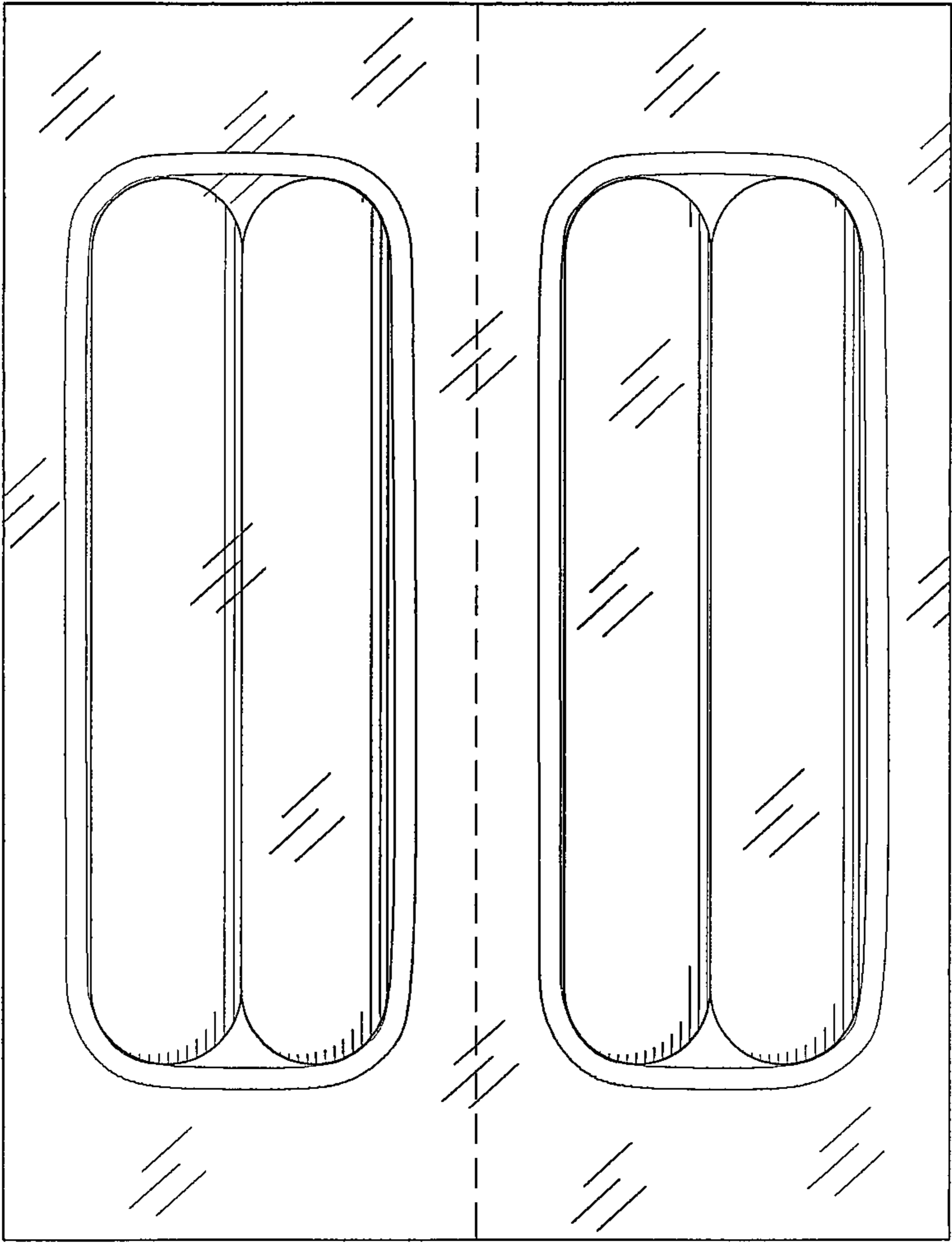


Fig. 2

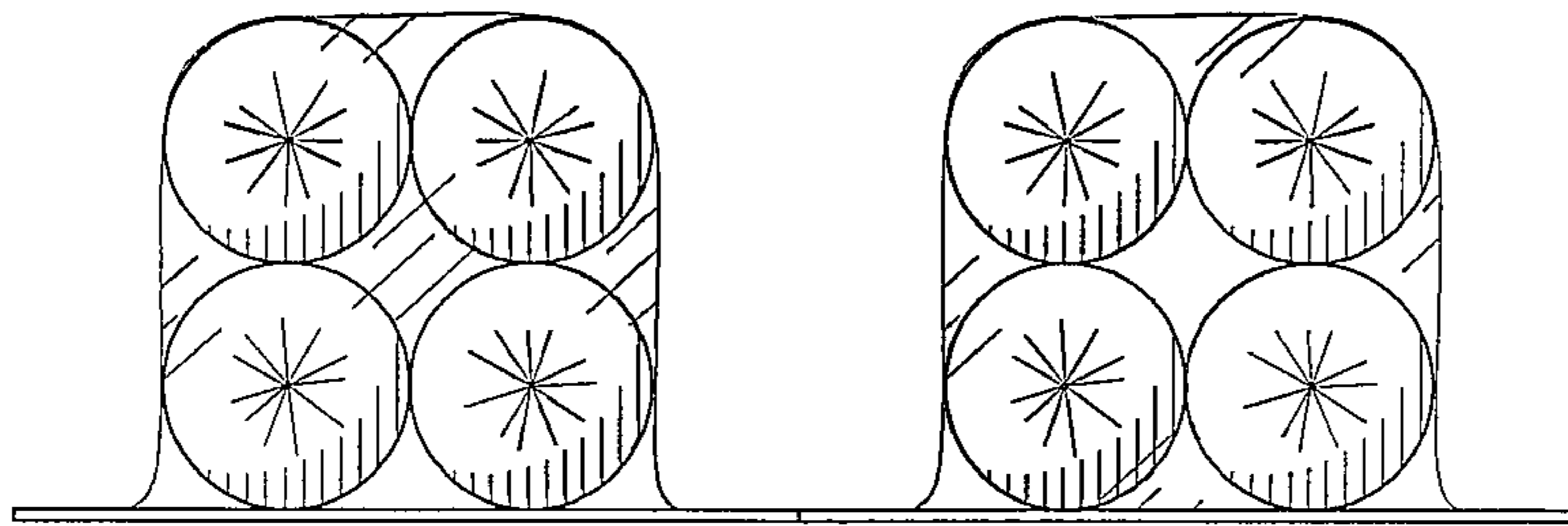


Fig. 3

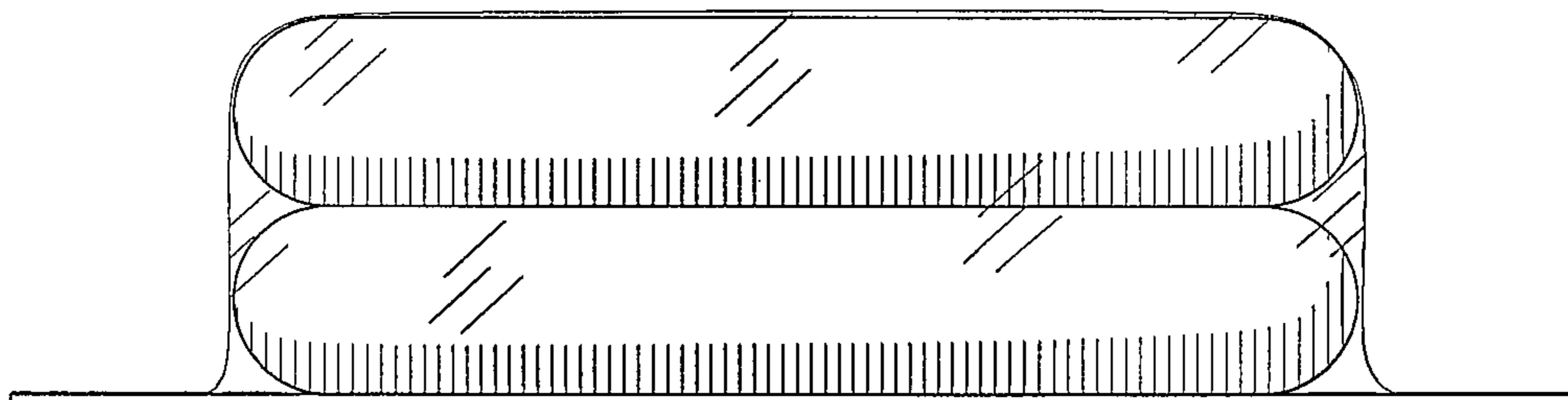


Fig. 4

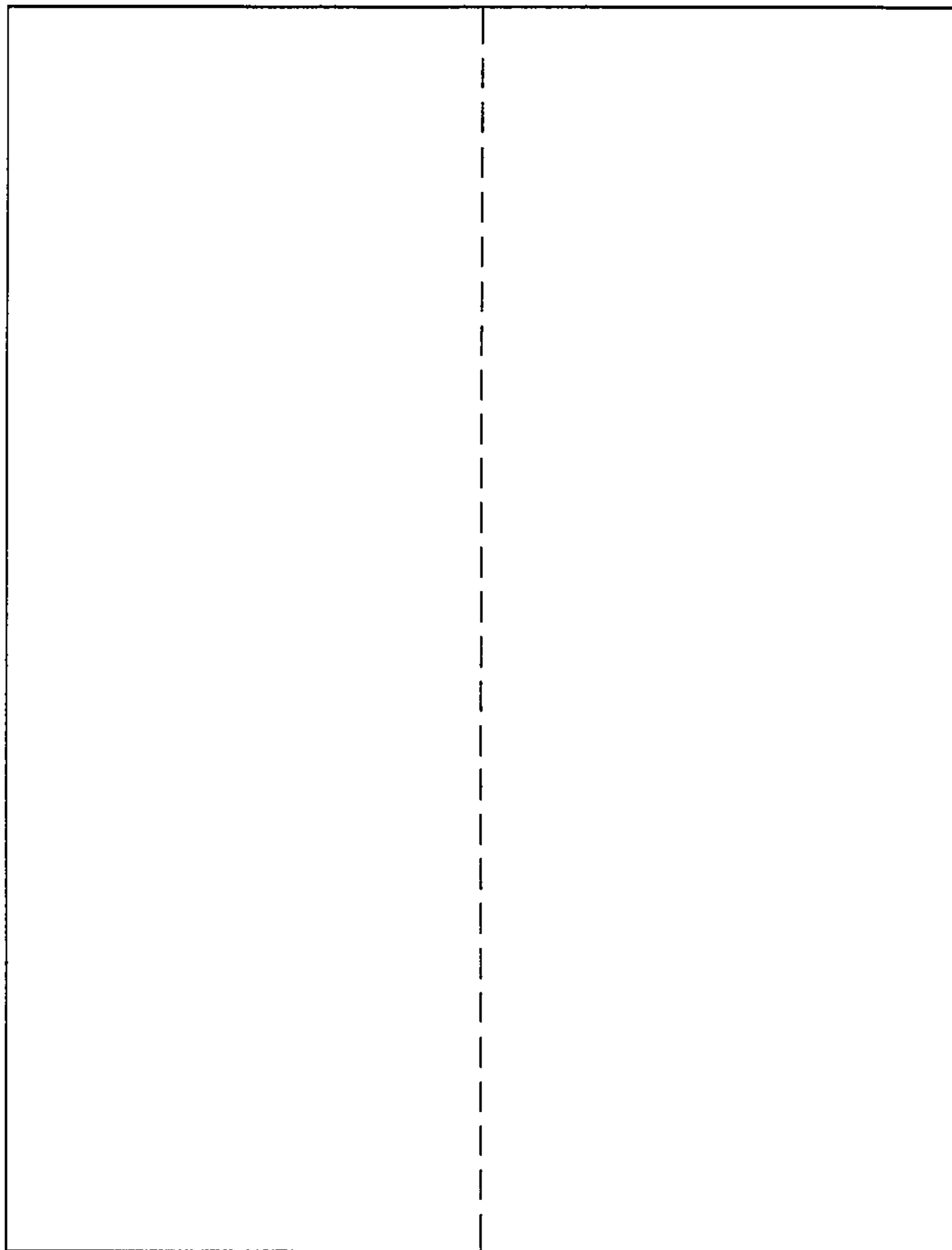


Fig. 5