

US00D735050S

(12) **United States Design Patent**
Tussy

(10) **Patent No.:** **US D735,050 S**
(45) **Date of Patent:** **** Jul. 28, 2015**

- (54) **FOOTBALL SHAPED BOTTLE**
- (71) Applicant: **Kevin Alan Tussy**, Las Vegas, NV (US)
- (72) Inventor: **Kevin Alan Tussy**, Las Vegas, NV (US)
- (**) Term: **14 Years**
- (21) Appl. No.: **29/490,330**
- (22) Filed: **May 8, 2014**

D310,137 S *	8/1990	Mays	D21/712
D391,155 S *	2/1998	Edson et al.	D9/668
D409,904 S *	5/1999	Clements et al.	D9/668
D425,757 S *	5/2000	Printz et al.	D7/515
D511,212 S *	11/2005	Whalen	D7/619.2
D518,596 S *	4/2006	Angeletta	D9/668
D578,408 S *	10/2008	Lepoitevin	D9/668
D604,086 S *	11/2009	Lipinski et al.	D7/301
D609,111 S *	2/2010	Bentley et al.	D9/668
D614,504 S *	4/2010	Coat	D9/668
D627,233 S *	11/2010	Blakeman	D9/668
D629,306 S *	12/2010	Staton et al.	D9/668

* cited by examiner

Related U.S. Application Data

- (63) Continuation-in-part of application No. 29/465,746, filed on Aug. 30, 2013, now Pat. No. Des. 718,146.
- (51) **LOC (10) Cl.** **09-01**
- (52) **U.S. Cl.**
USPC **D9/668**
- (58) **Field of Classification Search**
USPC D9/600, 655-664, 516, 523, 544-546, D9/414; 206/494, 457, 527, 540, 830; 215/400; 220/260, 890; 229/116.1, 229/116.2; D7/514-517, 519, 619.2, 628, D7/901; D21/712; D11/157
See application file for complete search history.

Primary Examiner — Sandra Morris

(74) *Attorney, Agent, or Firm* — Weide & Miller, Ltd.

(57) **CLAIM**

The ornamental design for a football shaped bottle, as shown and described.

DESCRIPTION

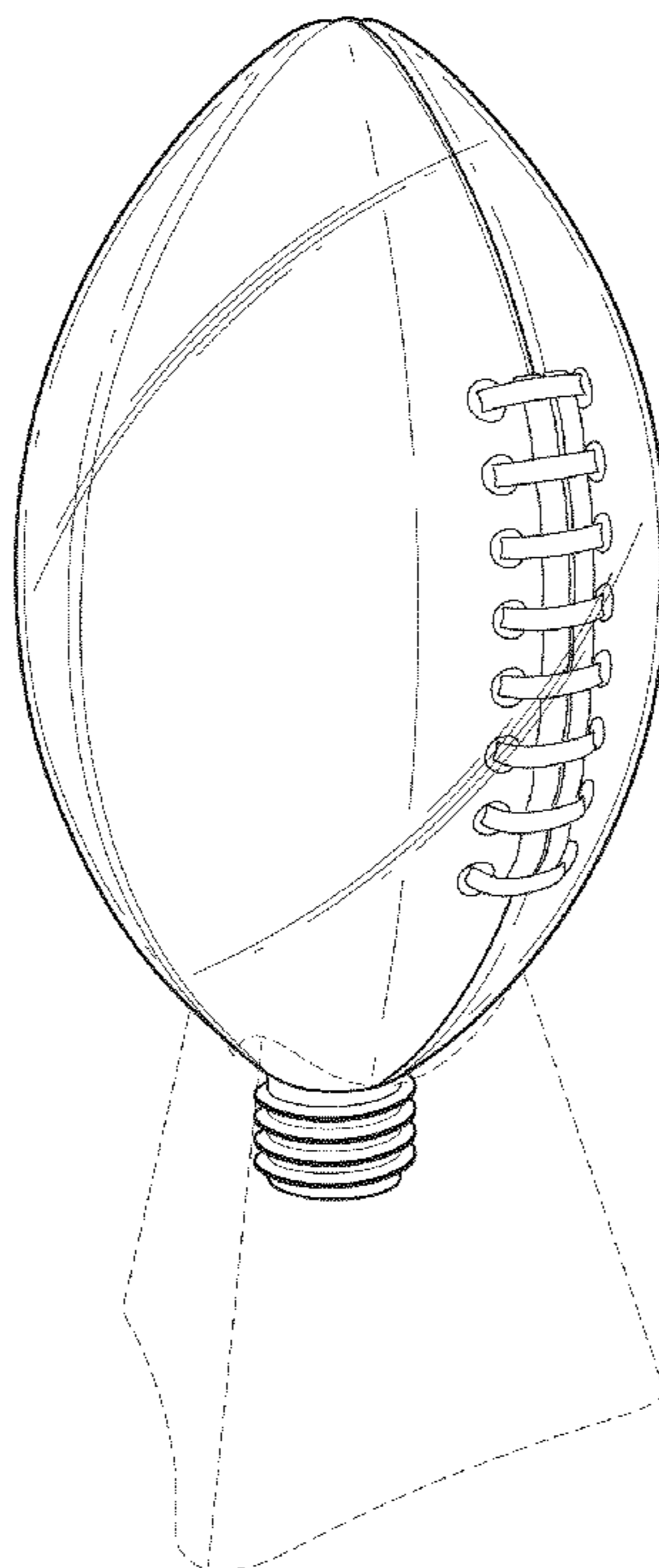
FIG. 1 is a perspective view of a football shaped bottle in accordance with the present invention;
 FIG. 2 is a front view of the football shaped bottle of FIG. 1;
 FIG. 3 is a side view of the football shaped bottle of FIG. 1;
 FIG. 4 is a rear view of the football shaped bottle of FIG. 1;
 FIG. 5 is a top view of the football shaped bottle of FIG. 1;
 and,
 FIG. 6 is a bottom view of the football shaped bottle of FIG. 1.
 The portions of the design shown in dotted line are for reference only and form no portion of the claimed design.

(56) **References Cited**

U.S. PATENT DOCUMENTS

D228,328 S *	9/1973	Schley	D21/712
D258,125 S *	2/1981	Bailey	D11/157
D298,105 S *	10/1988	Lamantia, Jr.	D9/414

1 Claim, 3 Drawing Sheets



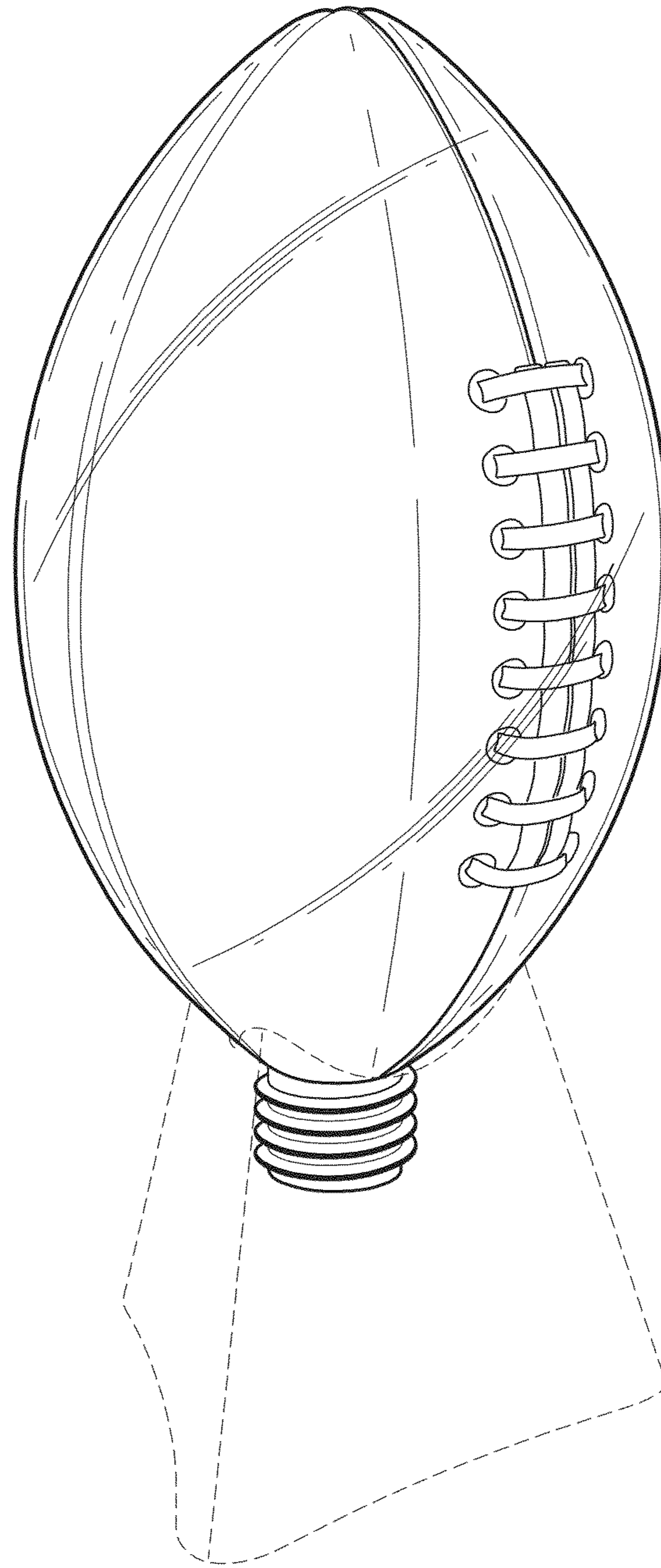


FIG. 1

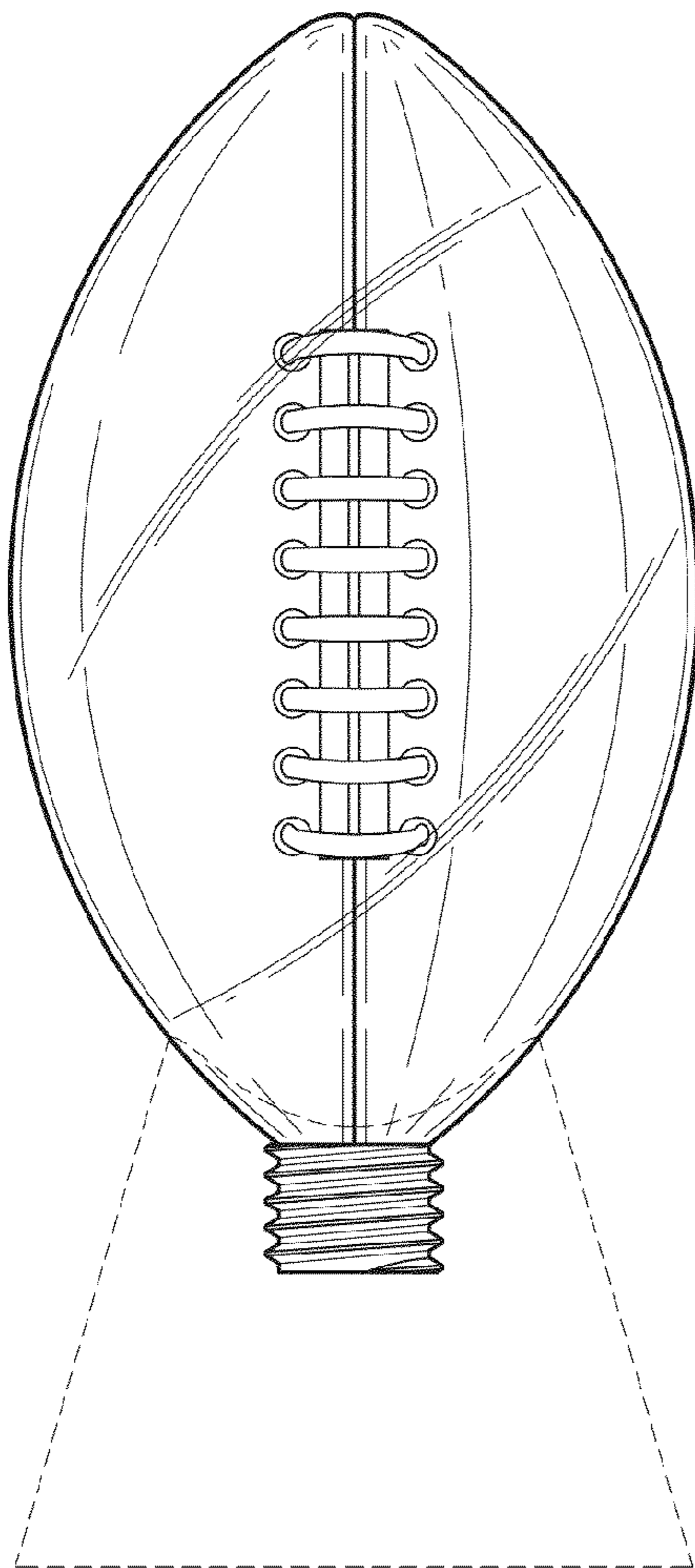


FIG. 2

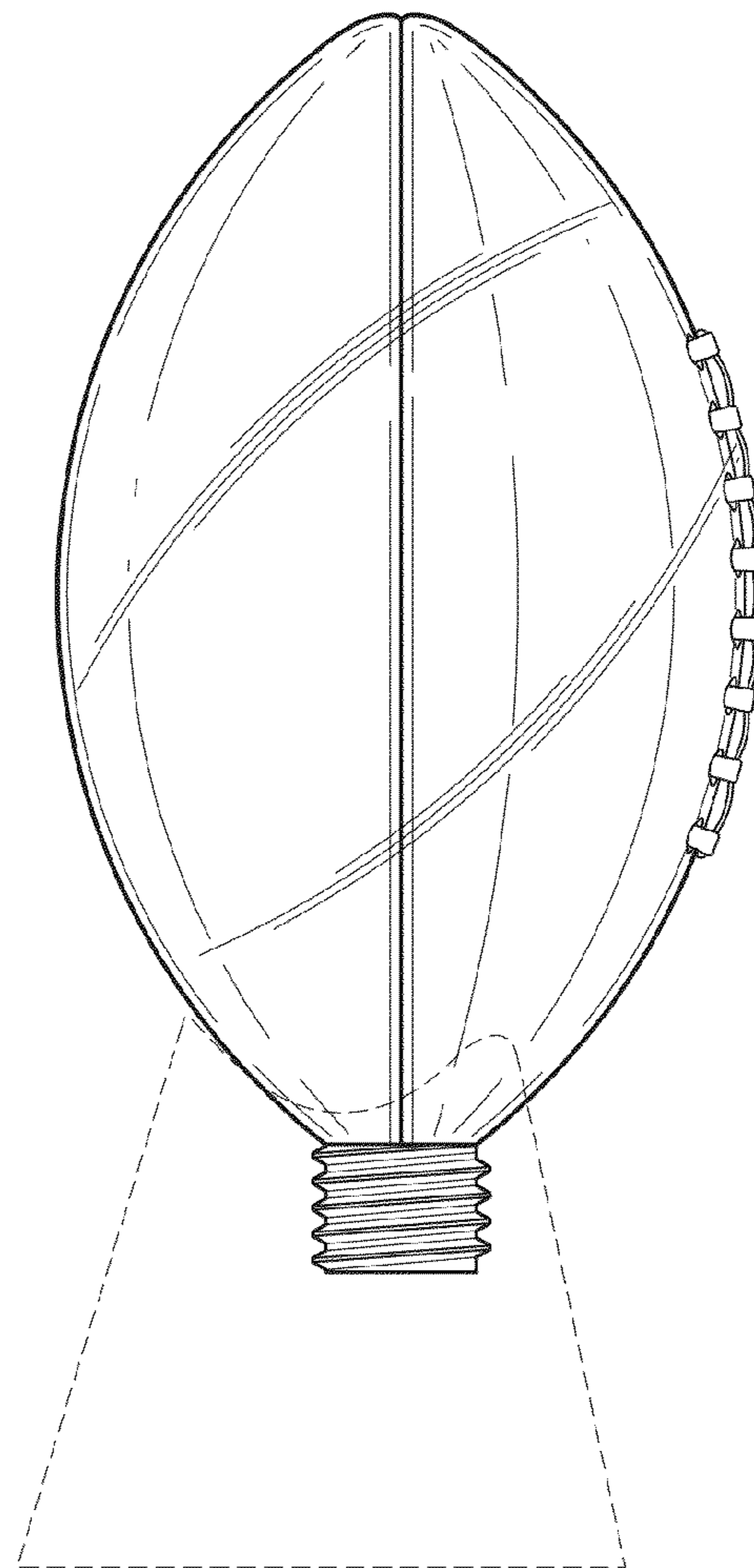


FIG. 3

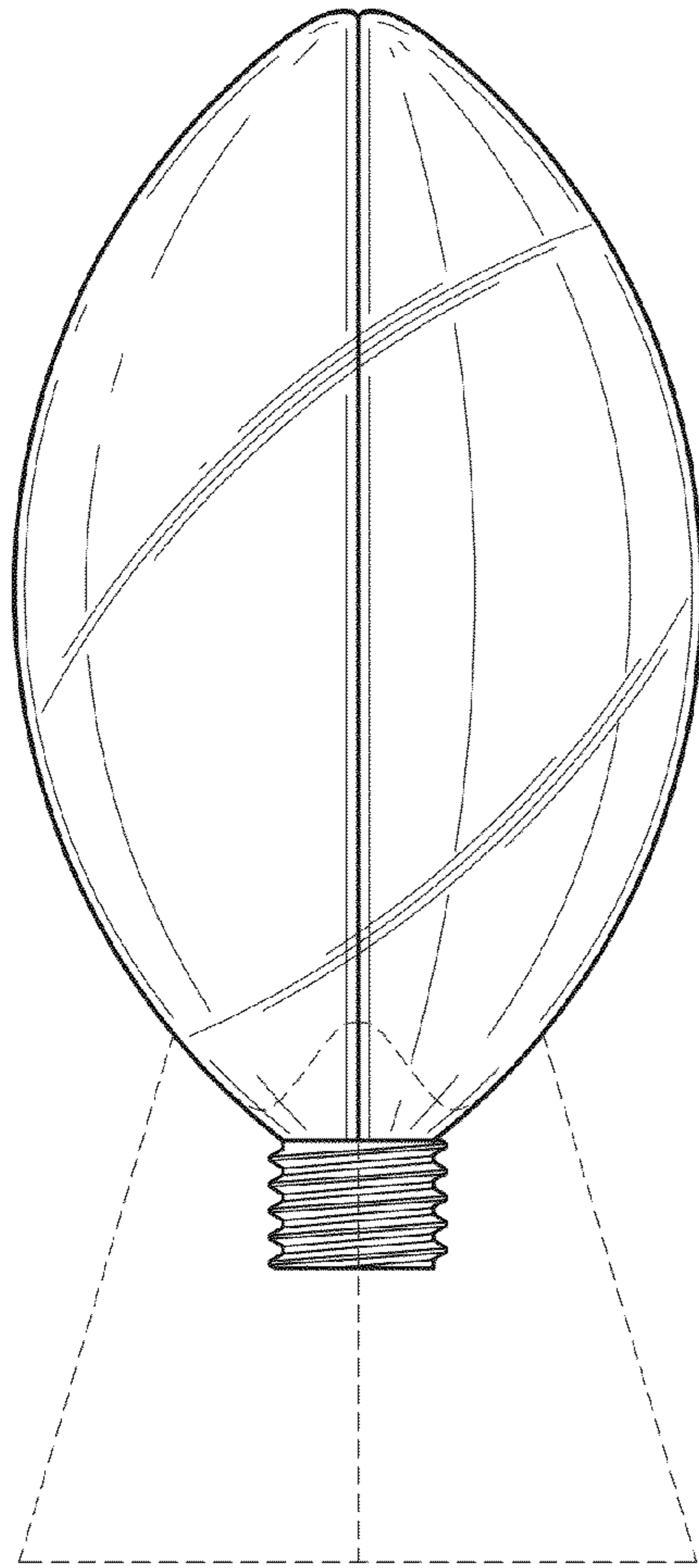


FIG. 4

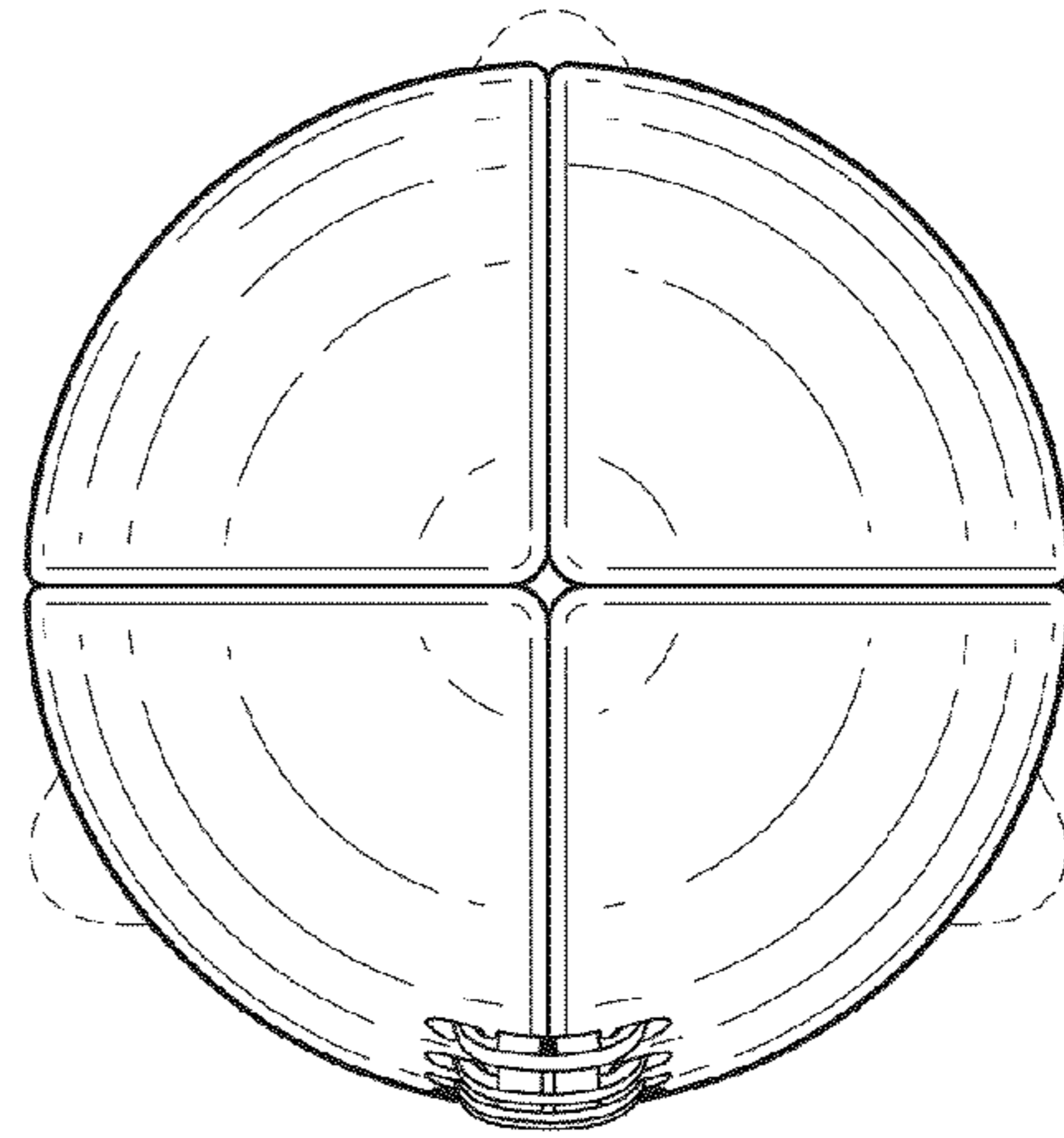


FIG. 5

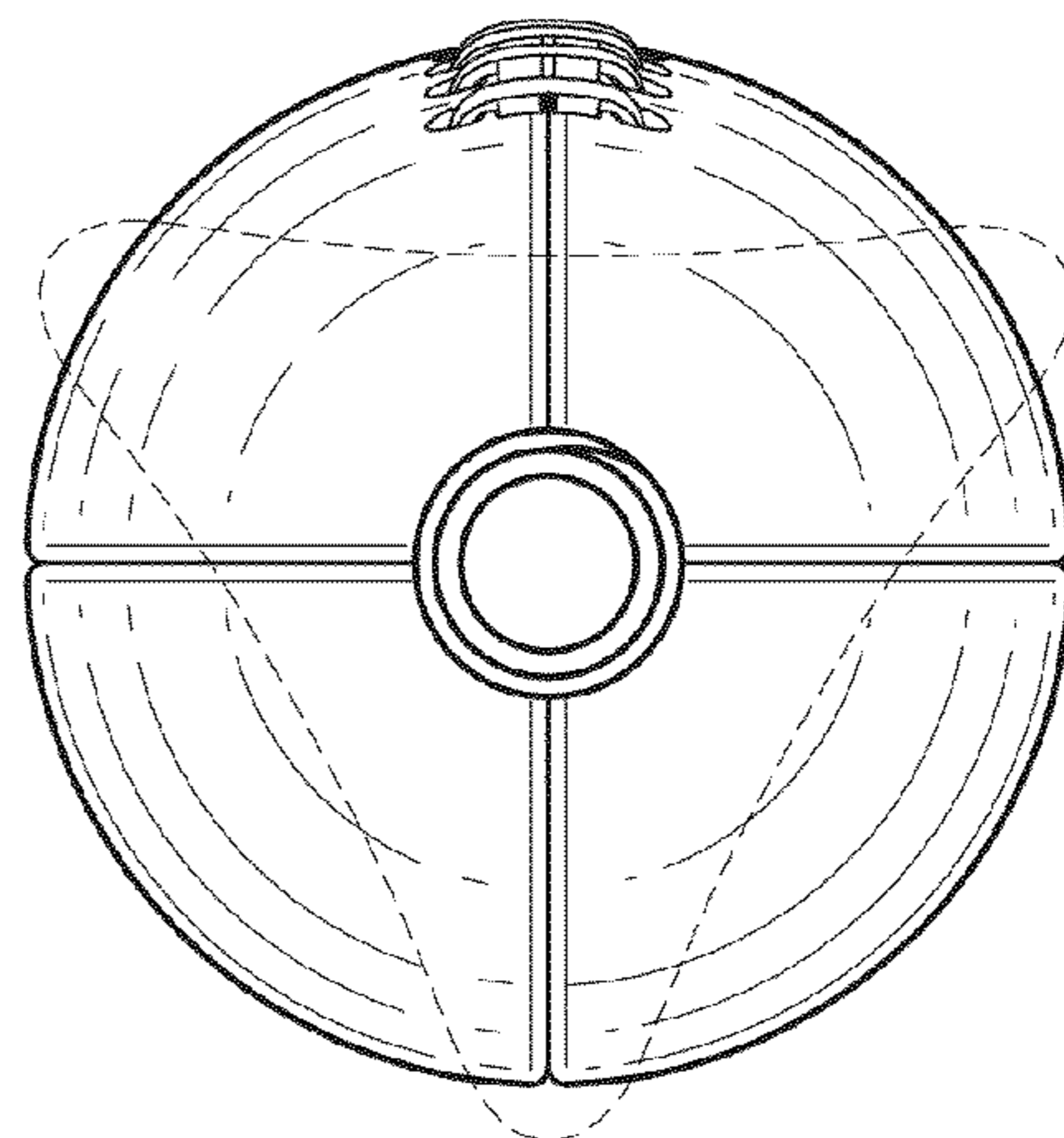


FIG. 6