



US00D735045S

(12) **United States Design Patent**  
**McKenzie et al.**

(10) **Patent No.:** **US D735,045 S**

(45) **Date of Patent:** **\*\* Jul. 28, 2015**

(54) **BOTTLE**

(71) Applicant: **Illinois Tool Works, Inc.**, Glenview, IL (US)

(72) Inventors: **John Samuel McKenzie**, Aurora, OH (US); **Nicholas Emile Stanca**, Westlake, OH (US)

(73) Assignee: **Illinois Tool Works**, Glenview, IL (US)

(\*\*) Term: **14 Years**

(21) Appl. No.: **29/471,920**

(22) Filed: **Nov. 6, 2013**

(51) **LOC (10) Cl.** ..... **09-01**

(52) **U.S. Cl.**  
USPC ..... **D9/560**

(58) **Field of Classification Search**  
USPC ..... D9/522, 523, 683, 687, 693, 694, 516,  
D9/520, 541-543, 563-574, 575, 560, 529,  
D9/539, 500, 503-505, 544, 546, 559;  
215/381-384, 370, 371, 379; 220/660,  
220/662, 669, 675; D28/36, 85; 206/385,  
206/581  
CPC ..... B65D 1/0223; B65D 2501/0081  
See application file for complete search history.

(56) **References Cited**

**U.S. PATENT DOCUMENTS**

4,527,699 A \* 7/1985 Namba et al. .... 215/12.2  
D360,057 S \* 7/1995 Bow ..... D28/85

D368,554 S \* 4/1996 Fiore ..... D28/85  
D377,848 S \* 2/1997 Gavin ..... D28/85  
D425,669 S \* 5/2000 Gavin ..... D28/85  
D611,350 S \* 3/2010 Esparza et al. .... D9/522  
D665,263 S \* 8/2012 Sanghavi et al. .... D9/522  
D682,704 S \* 5/2013 Reynolds ..... D9/559  
D682,705 S \* 5/2013 Reynolds ..... D9/559  
D698,245 S \* 1/2014 Thompson ..... D9/500

\* cited by examiner

*Primary Examiner* — Cynthia Ramirez

*Assistant Examiner* — Gino Colan

(74) *Attorney, Agent, or Firm* — Avery N. Goldstein, Esq.;  
Blue Filament Law

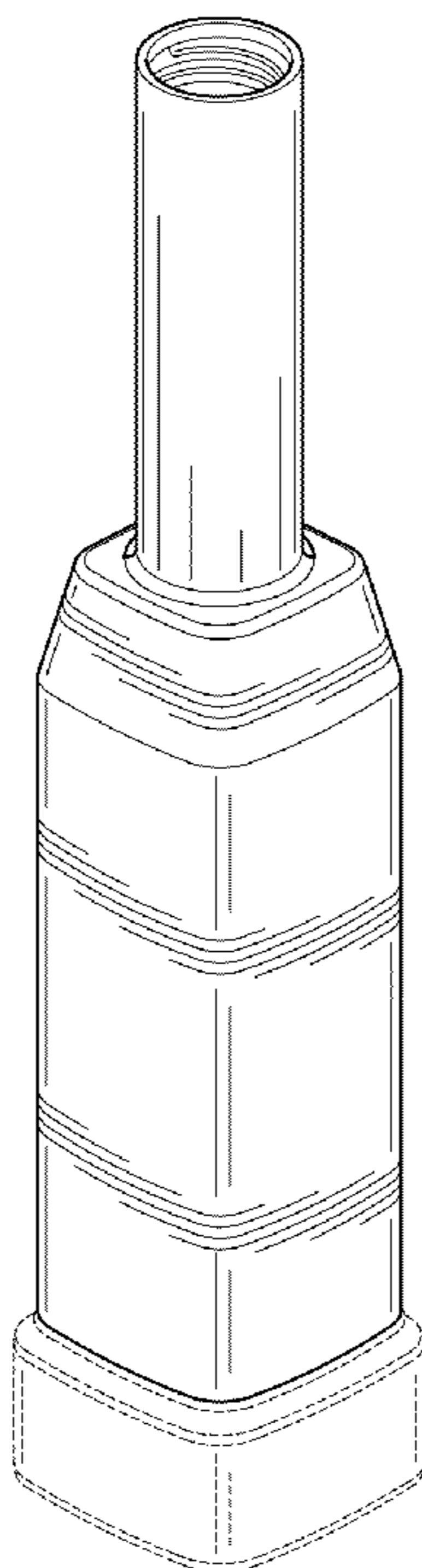
(57) **CLAIM**

The ornamental design for a bottle, as shown and described.

**DESCRIPTION**

FIG. 1 is a front, upper perspective view of the inventive bottle;  
FIG. 2 is a front view of the bottle depicted in FIG. 1, where side views and the rear view are identical to that depicted in FIG. 2;  
FIG. 3 is a top view of the bottle depicted in FIG. 1; and,  
FIG. 4 is a bottom view of the bottle depicted in FIG. 1.  
The broken lines shown in the figures are included for the purpose of illustrating elements of the bottle and form no part of the claimed design.

**1 Claim, 1 Drawing Sheet**



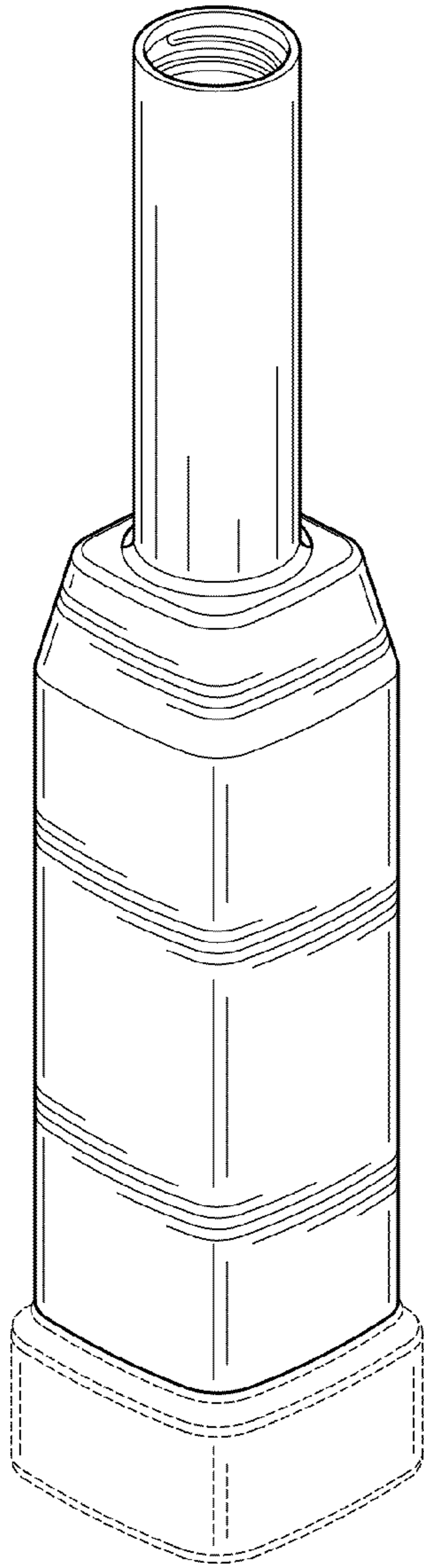


FIG. 1

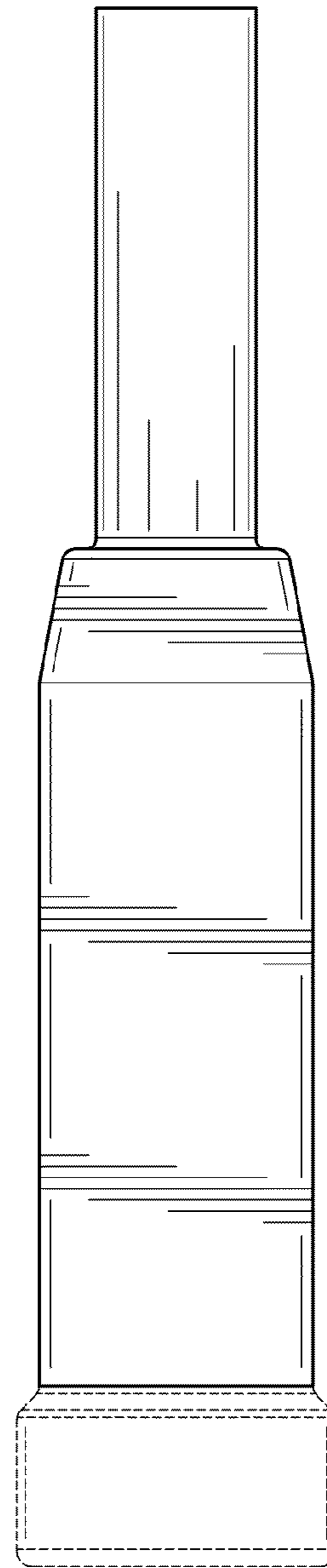


FIG. 2

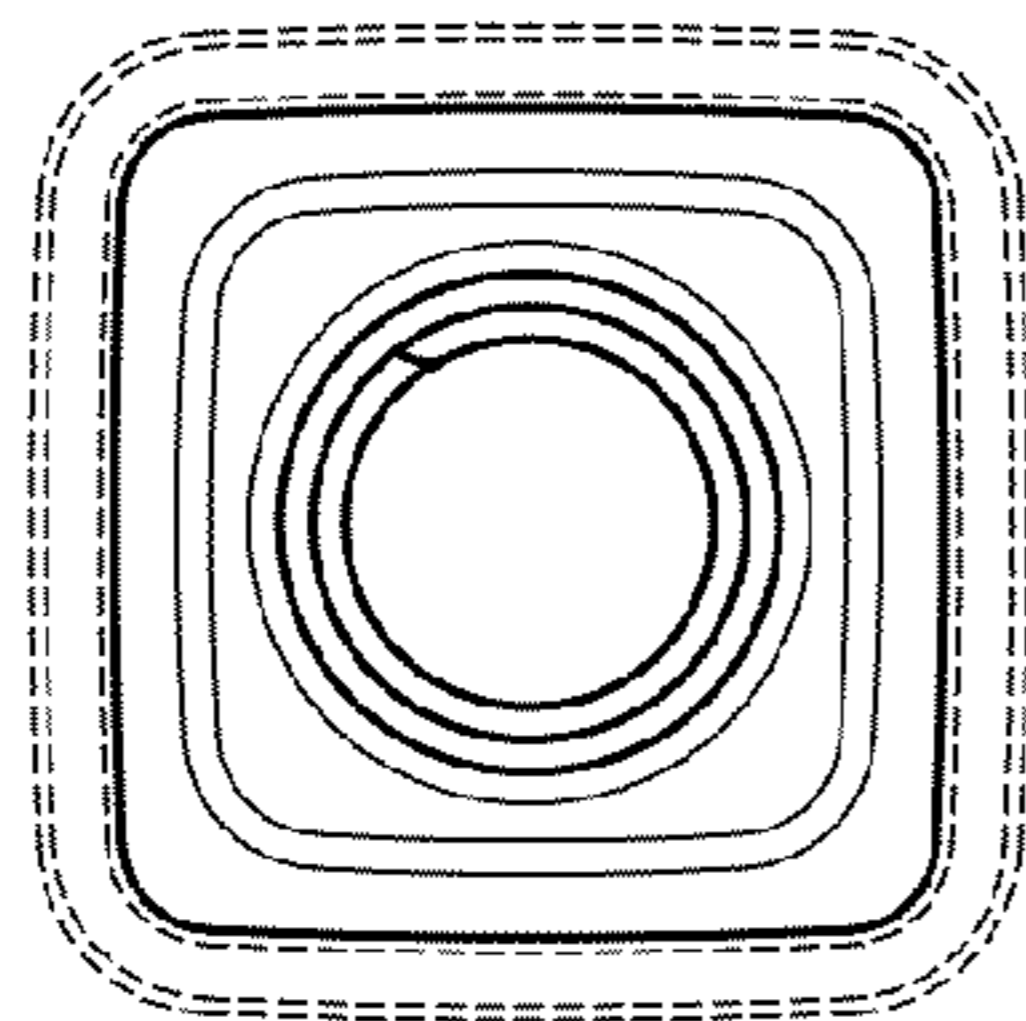


FIG. 3

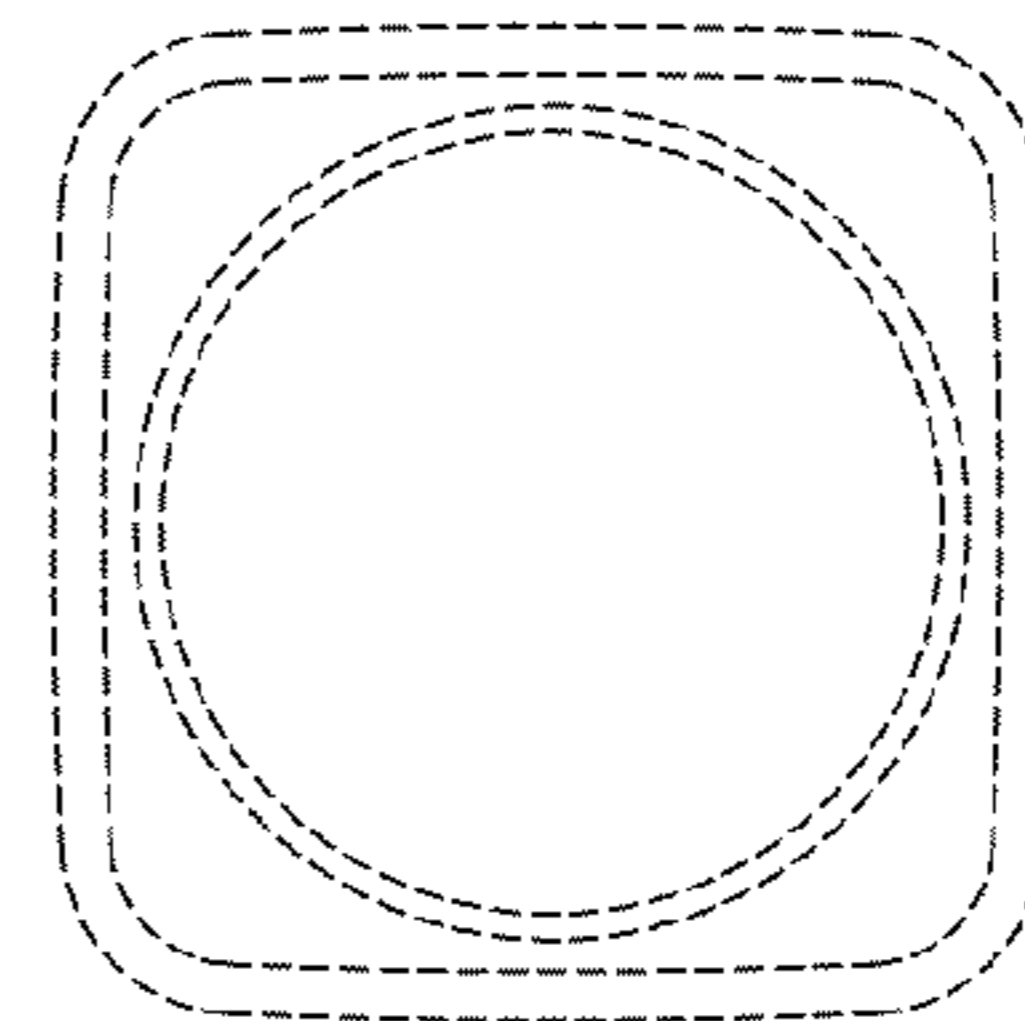


FIG. 4