



US00D735042S

(12) **United States Design Patent**
Simon et al.

(10) **Patent No.:** **US D735,042 S**
(45) **Date of Patent:** **** Jul. 28, 2015**

(54) **COSMETIC BOTTLE**
(71) Applicant: **Schwan-STABILO Cosmetics GmbH & Co. KG**, Heroldsberg (DE)
(72) Inventors: **Boris Simon**, Munich (DE); **Katrin Herrmann-Afzal**, Munich (DE)
(73) Assignee: **Schwan-STABILO Cosmetics GmbH & Co. KG**, Heroldsberg (DE)
(**) Term: **14 Years**

D357,628 S * 4/1995 Vasas D9/503
D359,453 S * 6/1995 Gavin D9/522
D406,921 S * 3/1999 Roeder D28/7
D416,491 S * 11/1999 Gobe D9/558
D421,913 S * 3/2000 Meeker et al. D9/563
D441,293 S * 5/2001 Togasawa D9/529
D444,389 S * 7/2001 Bakic D9/539
D498,790 S * 11/2004 Shova et al. D19/163
D532,557 S * 11/2006 Bakic D28/76
D532,936 S * 11/2006 Bakic D28/76
D533,066 S * 12/2006 Mongeon et al. D9/522
D533,966 S * 12/2006 Bakic D28/76
D554,512 S * 11/2007 Nukuto et al. D9/529
D554,518 S * 11/2007 Cornet et al. D9/558
D564,080 S * 3/2008 Chen D23/328

(21) Appl. No.: **29/484,268**

(Continued)

(22) Filed: **Mar. 7, 2014**

Primary Examiner — Susan Bennett Hattan

Assistant Examiner — Leanne Was

(30) **Foreign Application Priority Data**

(74) *Attorney, Agent, or Firm* — Jura C. Zibas; Gregory N. Brescia; Wilson, Elser, Moskowitz, Edelman & Dicker, LLP.

Sep. 9, 2013 (EM) 002304782-0001

(51) **LOC (10) Cl.** **09-01**

(57) **CLAIM**

(52) **U.S. Cl.**
USPC **D9/529; D28/76**

An ornamental design for a cosmetic bottle, as shown and described.

(58) **Field of Classification Search**
USPC D4/132–135; D9/422, 426, 430, 431, D9/434, 435, 439, 443, 444, 450, 454, 516, D9/519, 521, 527–530, 544, 545, 549, 551, D9/552, 564, 565, 715, 719, 723, 727, 738, D9/740, 746; D24/119; D28/7, 73, 76, 82, D28/99; 132/108; 215/379, 382, 384; 220/660, 662, 666, 669–673, 675; 401/202–207, 261–267
See application file for complete search history.

DESCRIPTION

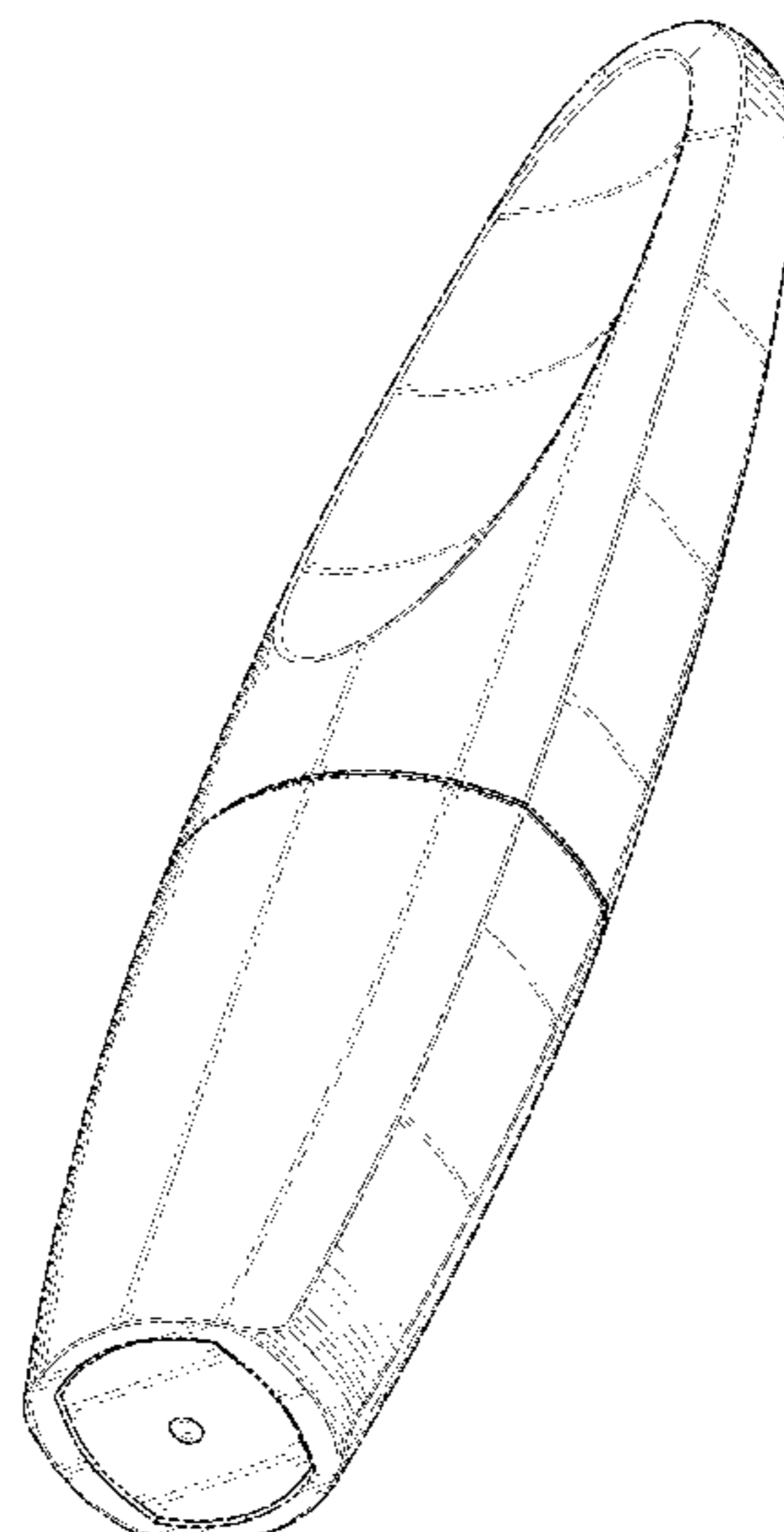
(56) **References Cited**

U.S. PATENT DOCUMENTS

D330,859 S * 11/1992 Schaeffer D9/503
D345,630 S * 3/1994 Chevassus D28/85
D345,918 S * 4/1994 Chevassus D9/529
D345,919 S * 4/1994 Chevassus D9/529

FIG. 1 is a perspective view of a cosmetic bottle showing the new design;
FIG. 2 is a bottom rear perspective view of a cosmetic bottle shown in FIG. 1;
FIG. 3 is a front view for the cosmetic bottle shown in FIG. 1, the opposite side being a mirror image thereof;
FIG. 4 is a side view for the cosmetic bottle shown in FIG. 1, the opposite side being a mirror image thereof;
FIG. 5 is a top view for the cosmetic bottle shown in FIG. 1; and,
FIG. 6 is a bottom view for the cosmetic bottle shown in FIG. 1.
The broken lines in the drawings depict portions of the cosmetic bottle that form no part of the claimed design.

1 Claim, 5 Drawing Sheets



US D735,042 S

Page 2

(56)

References Cited

U.S. PATENT DOCUMENTS

D575,456 S * 8/2008 Kadlubowski et al. D28/84
D605,049 S * 12/2009 Tanii et al. D9/529
D639,180 S * 6/2011 Shiota et al. D9/689

D658,068 S * 4/2012 Nawrocki D9/549
D726,012 S * 4/2015 Simard D9/521
D729,446 S * 5/2015 Babel D28/7
D729,627 S * 5/2015 Sumida et al. D9/529

* cited by examiner

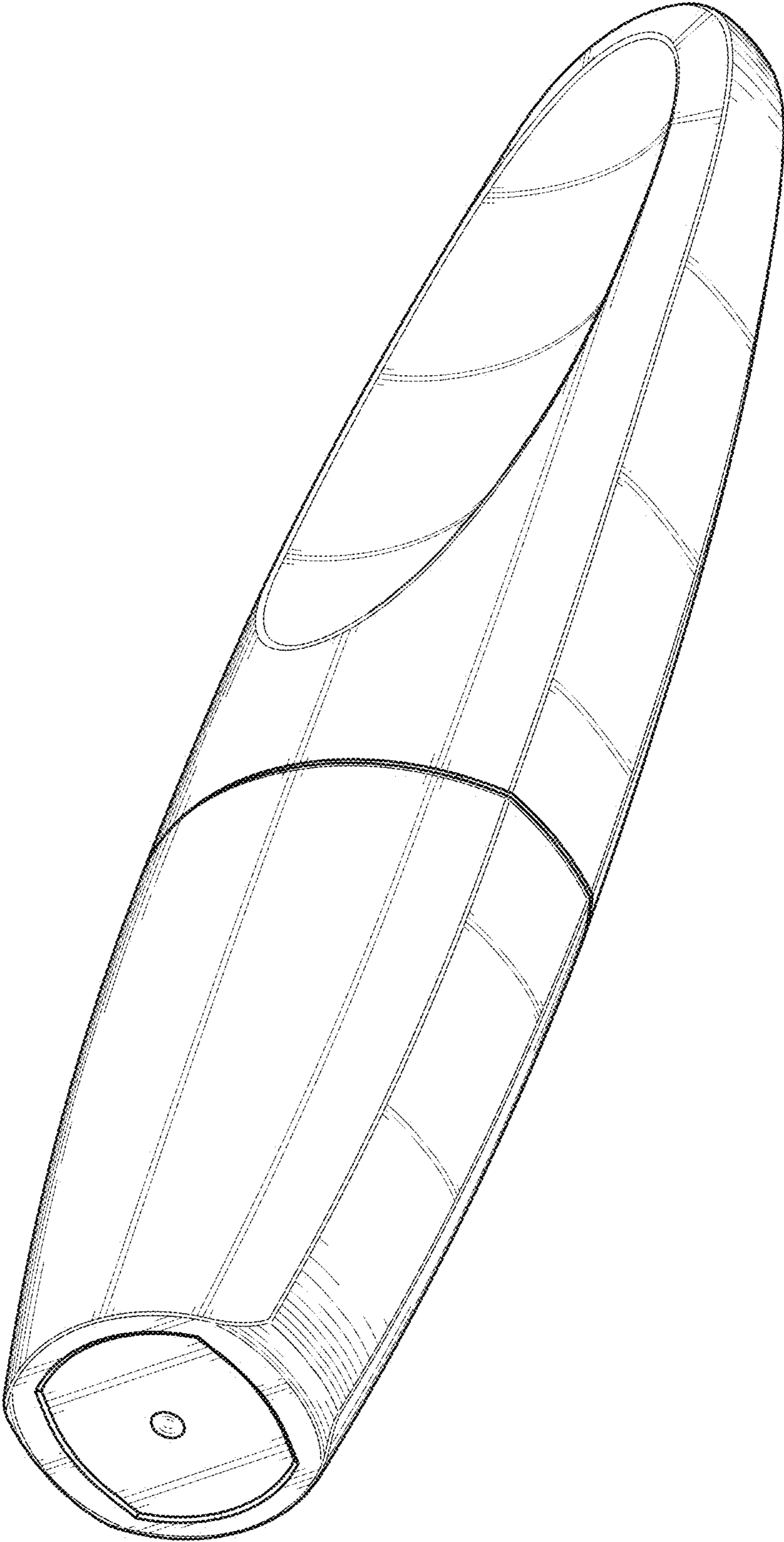


FIG. 1

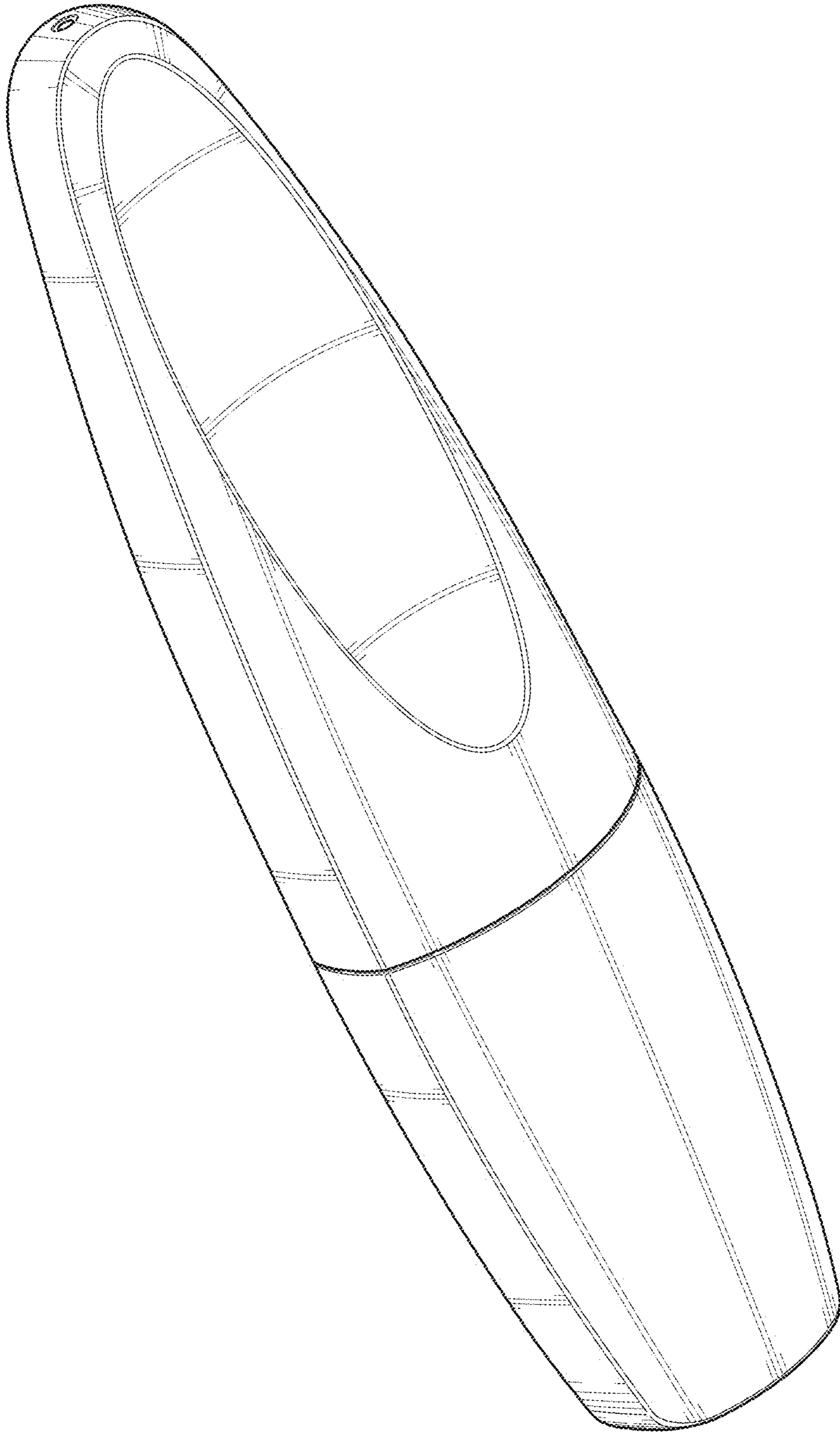


FIG. 2

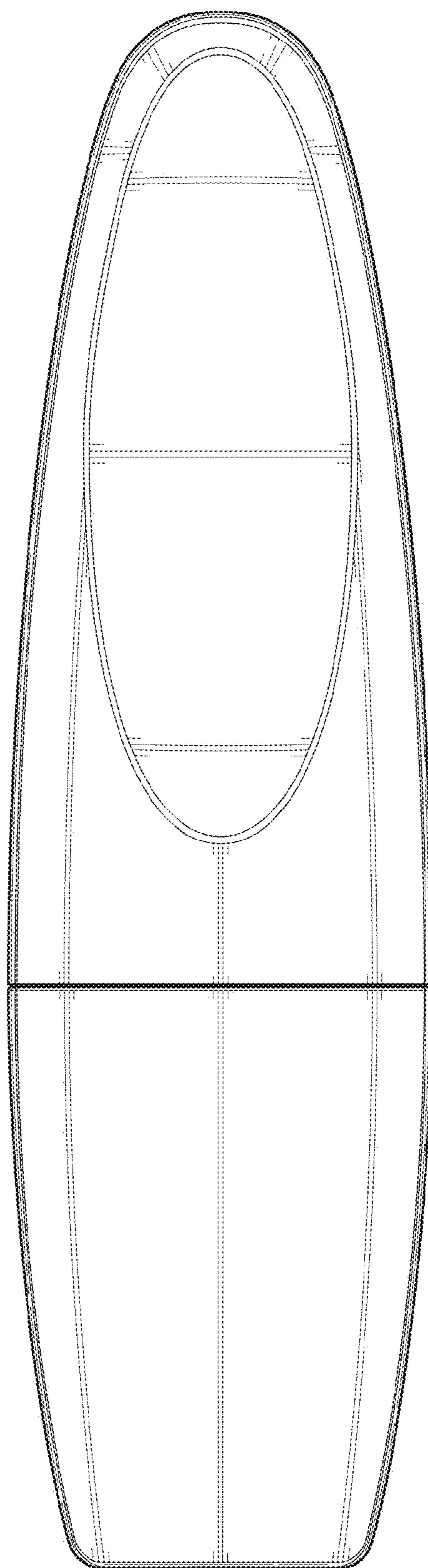


FIG. 3

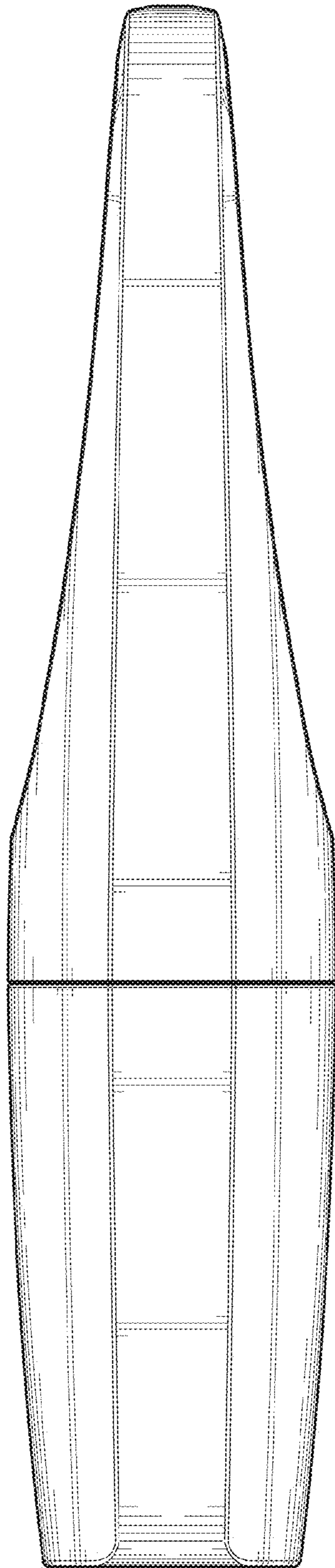


FIG. 4

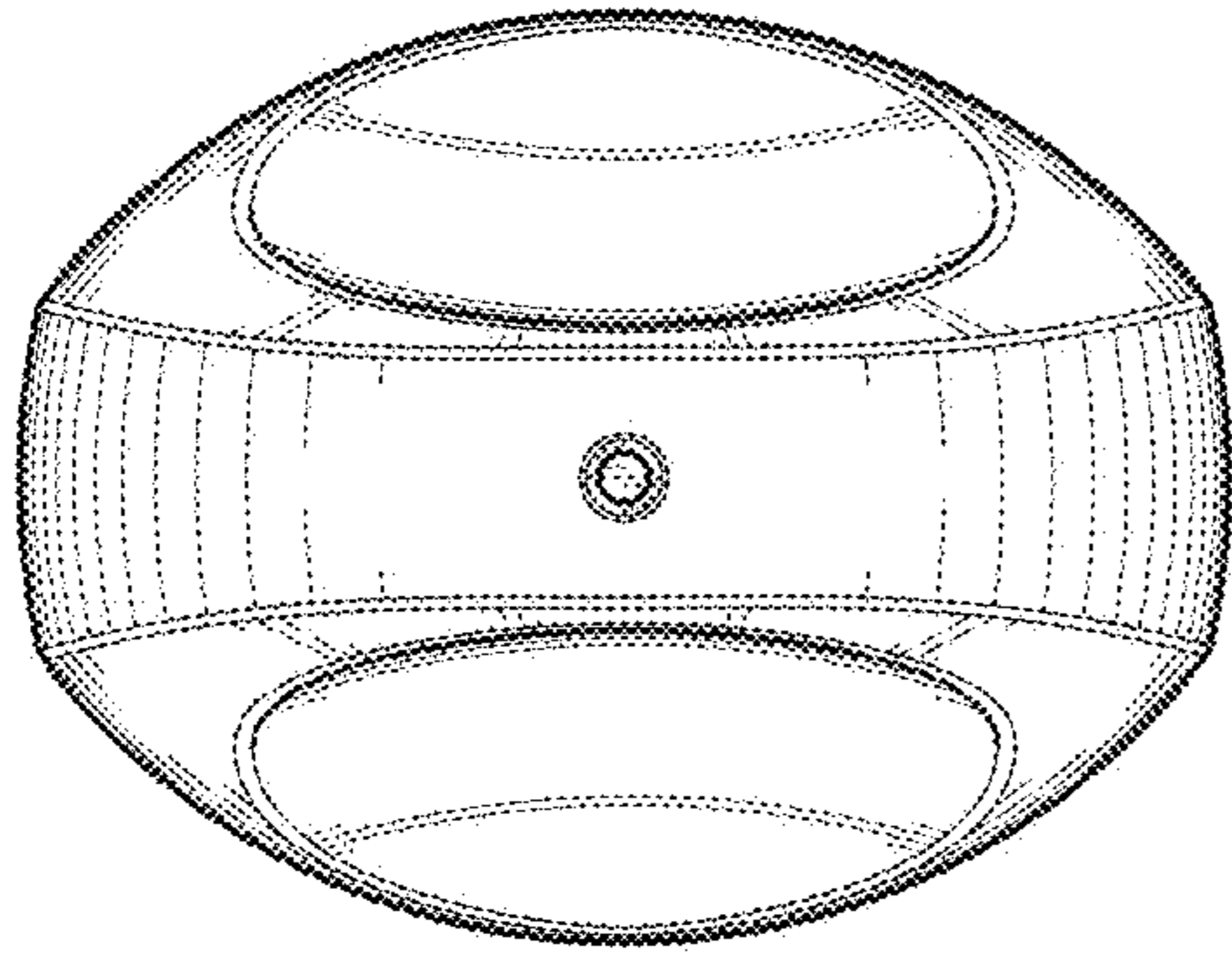


FIG. 5

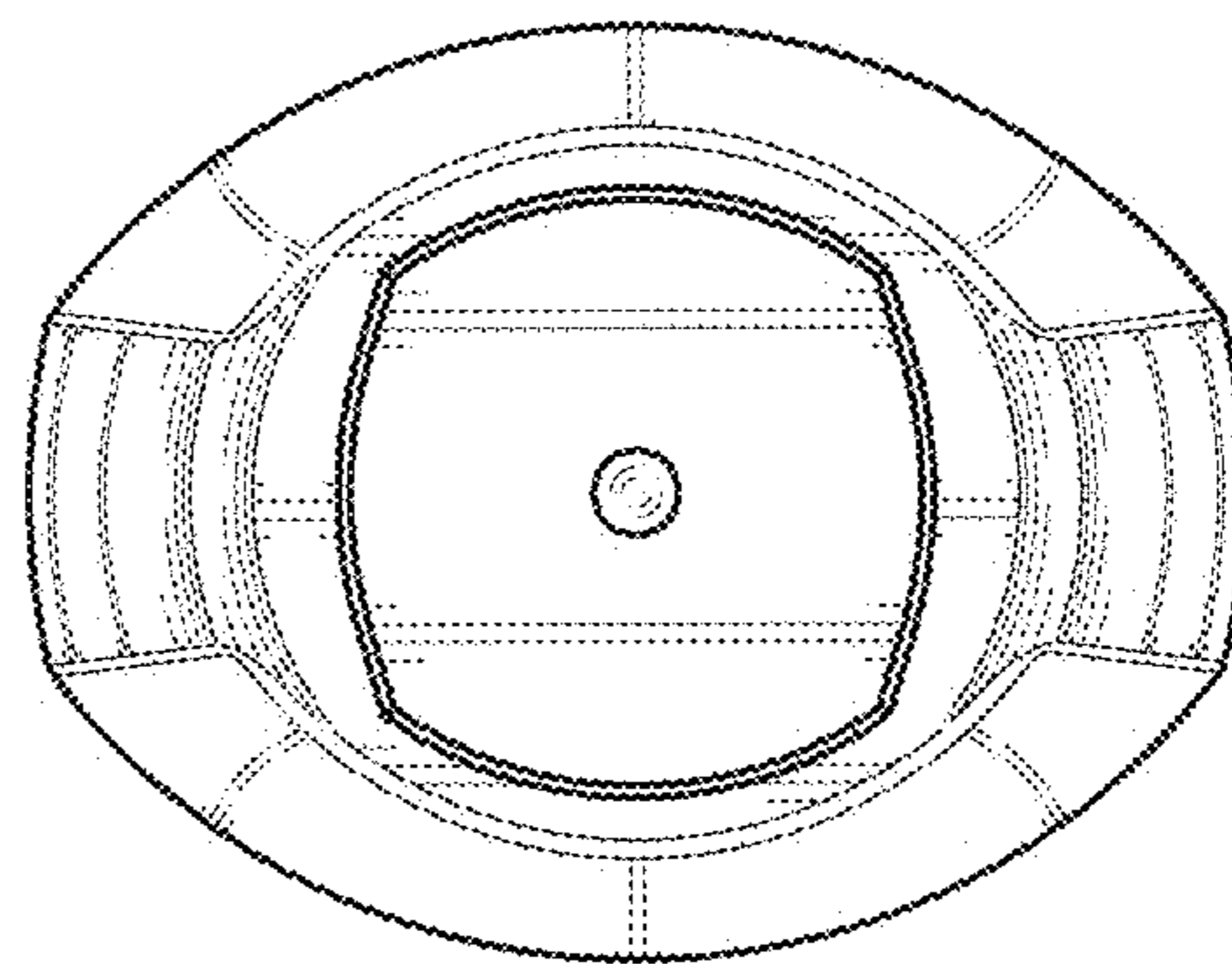


FIG. 6