

US00D735041S

(12) **United States Design Patent**  
**Braun et al.**

(10) **Patent No.:** **US D735,041 S**  
(45) **Date of Patent:** **\*\* Jul. 28, 2015**

(54) **CONTAINER**

(71) Applicant: **Kraft Foods Group Brands LLC**,  
Northfield, IL (US)  
(72) Inventors: **Jason A. Braun**, Lake Hiawatha, NJ  
(US); **Allison Doubles**, Norwalk, CT  
(US); **Gary Albaum**, Pleasantville, NY  
(US); **Ian Carnduff**, Brooklyn, NY  
(US); **Joo Eun Jung**, Palisades Park, NJ  
(US)

(73) Assignee: **Kraft Foods Group Brands LLC**,  
Northfield, IL (US)

(\*\*) Term: **14 Years**

(21) Appl. No.: **29/470,563**

(22) Filed: **Oct. 22, 2013**

**Related U.S. Application Data**

(63) Continuation of application No. 29/416,176, filed on  
Mar. 19, 2012, now Pat. No. Des. 712,269.

(51) **LOC (10) Cl.** ..... **09-01**

(52) **U.S. Cl.**  
USPC ..... **D9/529; D9/540; D9/552; D9/449**

(58) **Field of Classification Search**  
USPC ..... **D9/516, 529, 537, 539, 549, 558**  
See application file for complete search history.

(56) **References Cited**

**U.S. PATENT DOCUMENTS**

2,586,687 A \* 2/1952 Mellon ..... 222/182  
D317,869 S 7/1991 Kipperman et al.  
D322,220 S 12/1991 Pisar  
D332,749 S 1/1993 Pisar  
D471,819 S 3/2003 Paul et al.  
D486,398 S 2/2004 Lovell et al.

6,779,689 B2 8/2004 Flaig et al.  
6,837,405 B2 1/2005 Rainey et al.  
D510,029 S 9/2005 Marcot  
D520,873 S 5/2006 Lovell  
D525,872 S 8/2006 Haubert et al.  
D525,873 S 8/2006 Haubert et al.  
D526,204 S 8/2006 Stolle  
D527,644 S 9/2006 Bakic  
D528,004 S 9/2006 Ratzlaff  
D529,388 S 10/2006 Bakic  
D529,810 S 10/2006 Davies et al.  
D529,811 S 10/2006 Ratzlaff  
D529,812 S 10/2006 Ratzlaff  
D535,888 S \* 1/2007 Kuzma et al. .... D9/558

(Continued)

*Primary Examiner* — Carol P Rademaker

(74) *Attorney, Agent, or Firm* — Fitch, Even, Tabin &  
Flannery LLP

(57) **CLAIM**

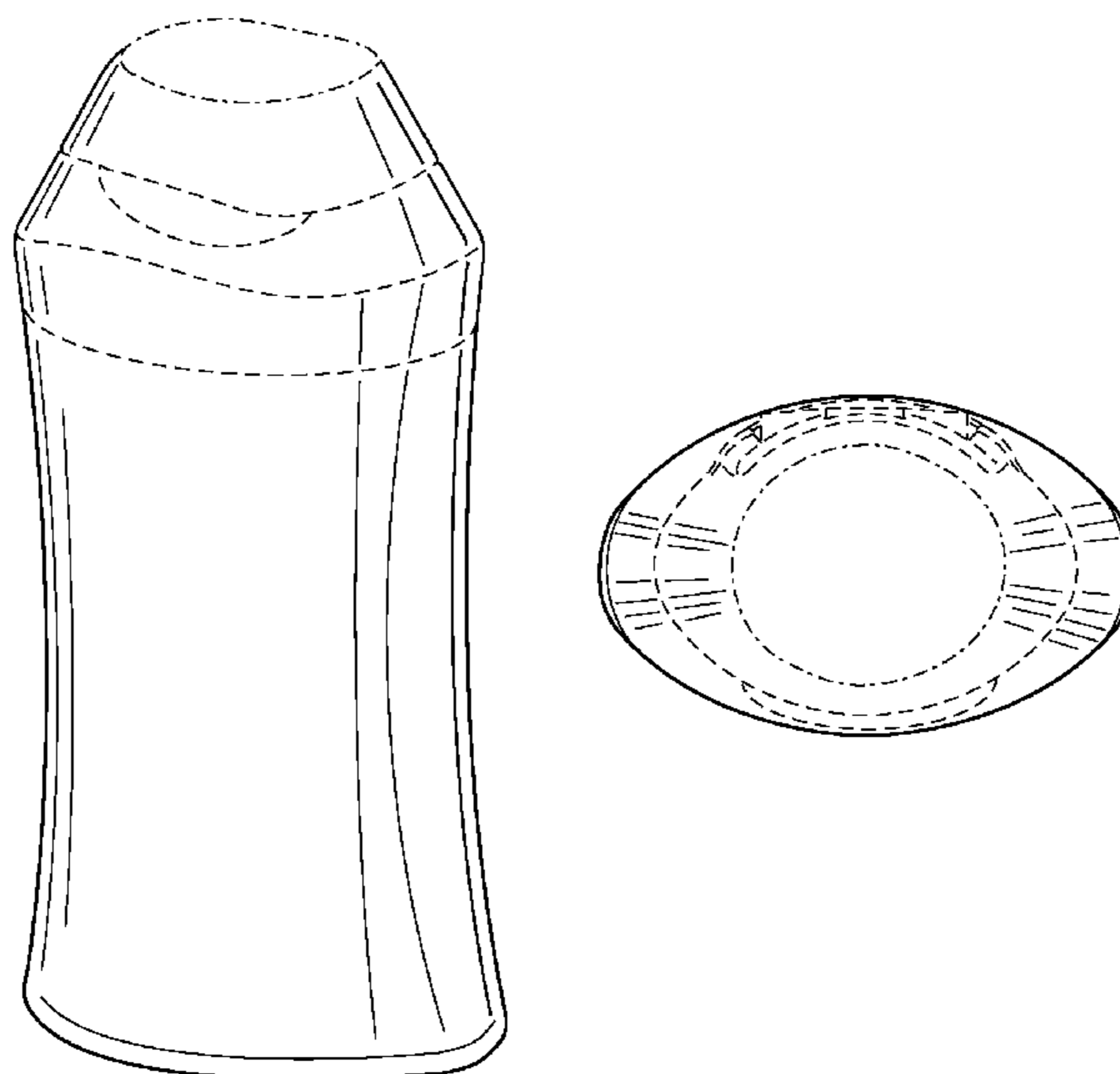
The ornamental design for a container, as shown and  
described.

**DESCRIPTION**

FIG. 1 is a top, front, left side perspective view of a container  
showing our new design;  
FIG. 2 is a front elevational view of the container of FIG. 1;  
FIG. 3 is a rear elevational view of the container of FIG. 1;  
FIG. 4 is top plan view of the container of FIG. 1;  
FIG. 5 is a bottom plan view of the container of FIG. 1;  
FIG. 6 is a right side elevational view of the container of FIG.  
1; and,  
FIG. 7 is a left side elevational view of the container of FIG.  
1.

The dash-dash-dash-dash type broken lines shown in the  
drawings are included for the purpose of illustrating environ-  
mental structure and form no part of the claimed design. The  
dot-dash-dot-dash type broken lines shown in the drawings  
define the boundaries of the claimed design.

**1 Claim, 3 Drawing Sheets**



(56)

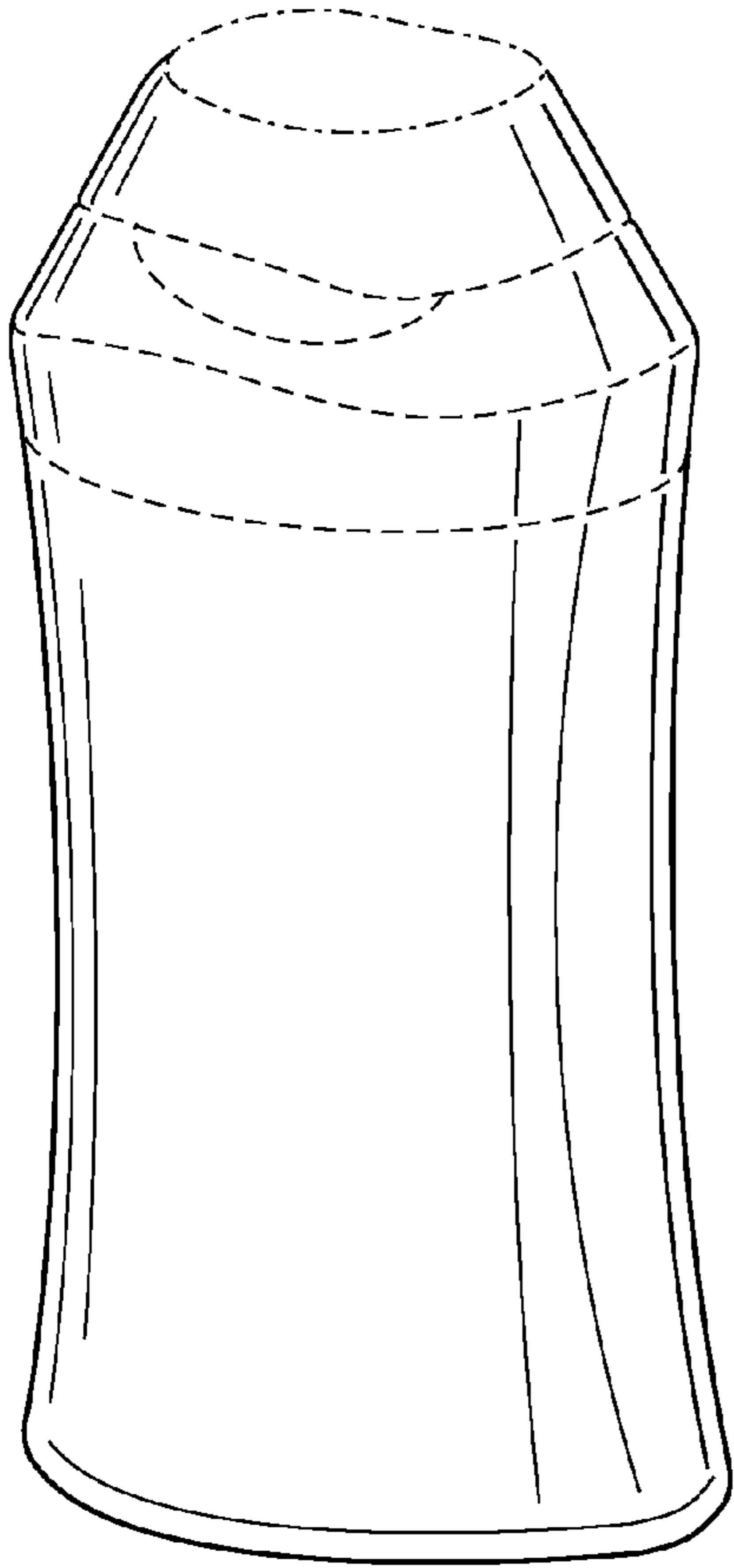
**References Cited**

U.S. PATENT DOCUMENTS

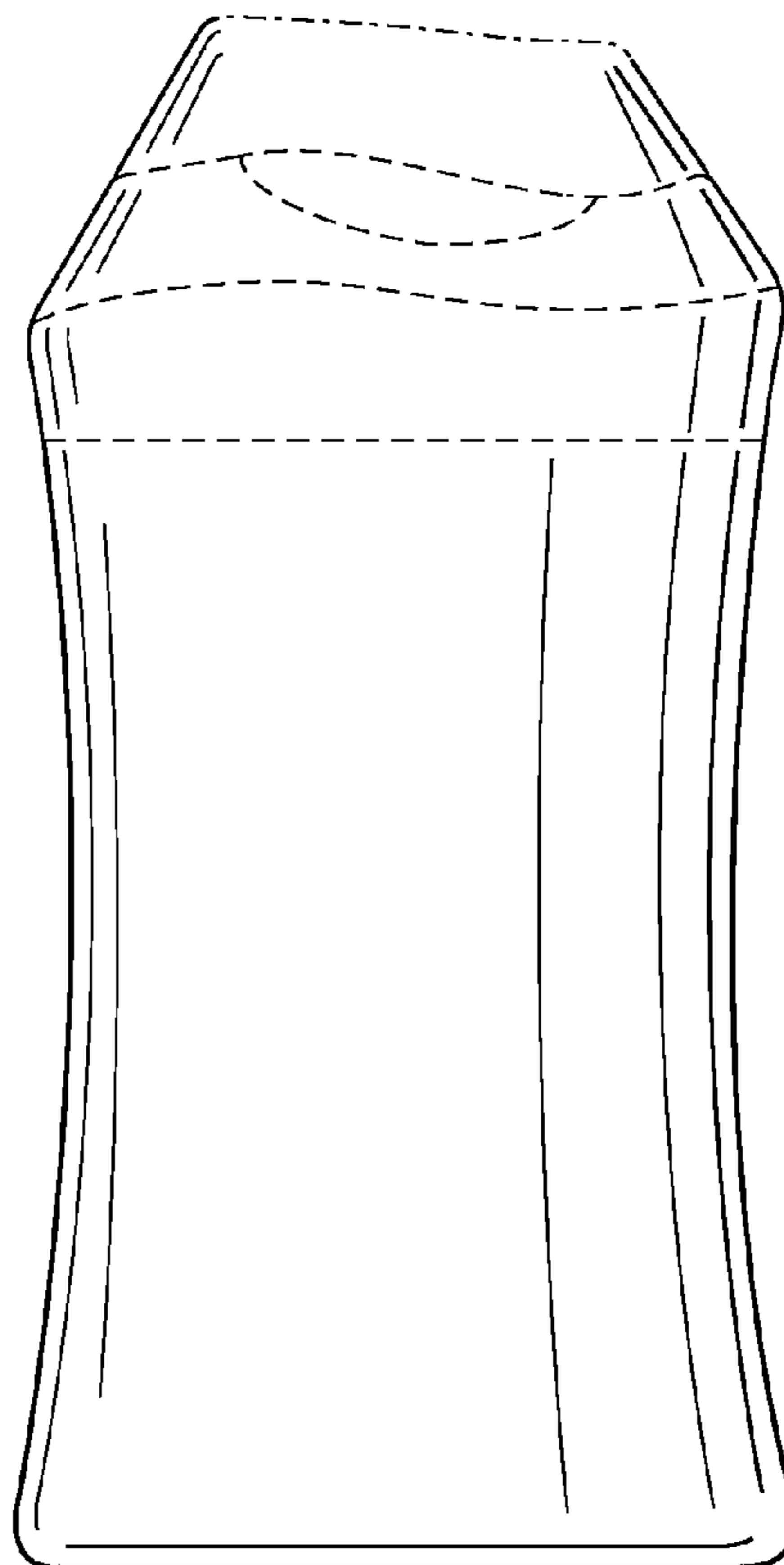
D543,115 S	5/2007	Flurer et al.	
D548,602 S *	8/2007	Escobosa et al. ....	D9/529
D551,555 S *	9/2007	Escobosa et al. ....	D9/529
D553,001 S *	10/2007	Granitz .....	D9/574
D554,517 S *	11/2007	Breitlander .....	D9/558
D559,114 S *	1/2008	Breitlander .....	D9/558
D578,406 S *	10/2008	Kuzma et al. ....	D9/558
D584,159 S	1/2009	Domoy et al.	
D592,516 S *	5/2009	Cummings et al. ....	D9/537 X
D605,512 S	12/2009	Weber	
D605,945 S	12/2009	Macaulay et al.	
D608,213 S *	1/2010	Kuzma et al. ....	D9/574 X
D608,648 S	1/2010	Rhodes et al.	
D629,303 S	12/2010	Toh et al.	
D636,267 S	4/2011	Shiota et al.	
D638,714 S	5/2011	de Cleir et al.	
D644,106 S	8/2011	Almstead, Jr. et al.	
D644,530 S *	9/2011	Padain et al. ....	D9/529 X
D644,531 S *	9/2011	Padain et al. ....	D9/529
D650,281 S *	12/2011	Padain et al. ....	D9/521
D650,282 S *	12/2011	Padain et al. ....	D9/529 X
D651,518 S *	1/2012	Padain et al. ....	D9/529
D653,117 S *	1/2012	Murphy .....	D9/544
D666,912 S *	9/2012	Kawai .....	D9/539 X
D671,416 S *	11/2012	Nukuto et al. ....	D9/542
D674,282 S *	1/2013	Baldrige et al. ....	D9/529
D683,226 S *	5/2013	Baldrige et al. ....	D9/542

\* cited by examiner

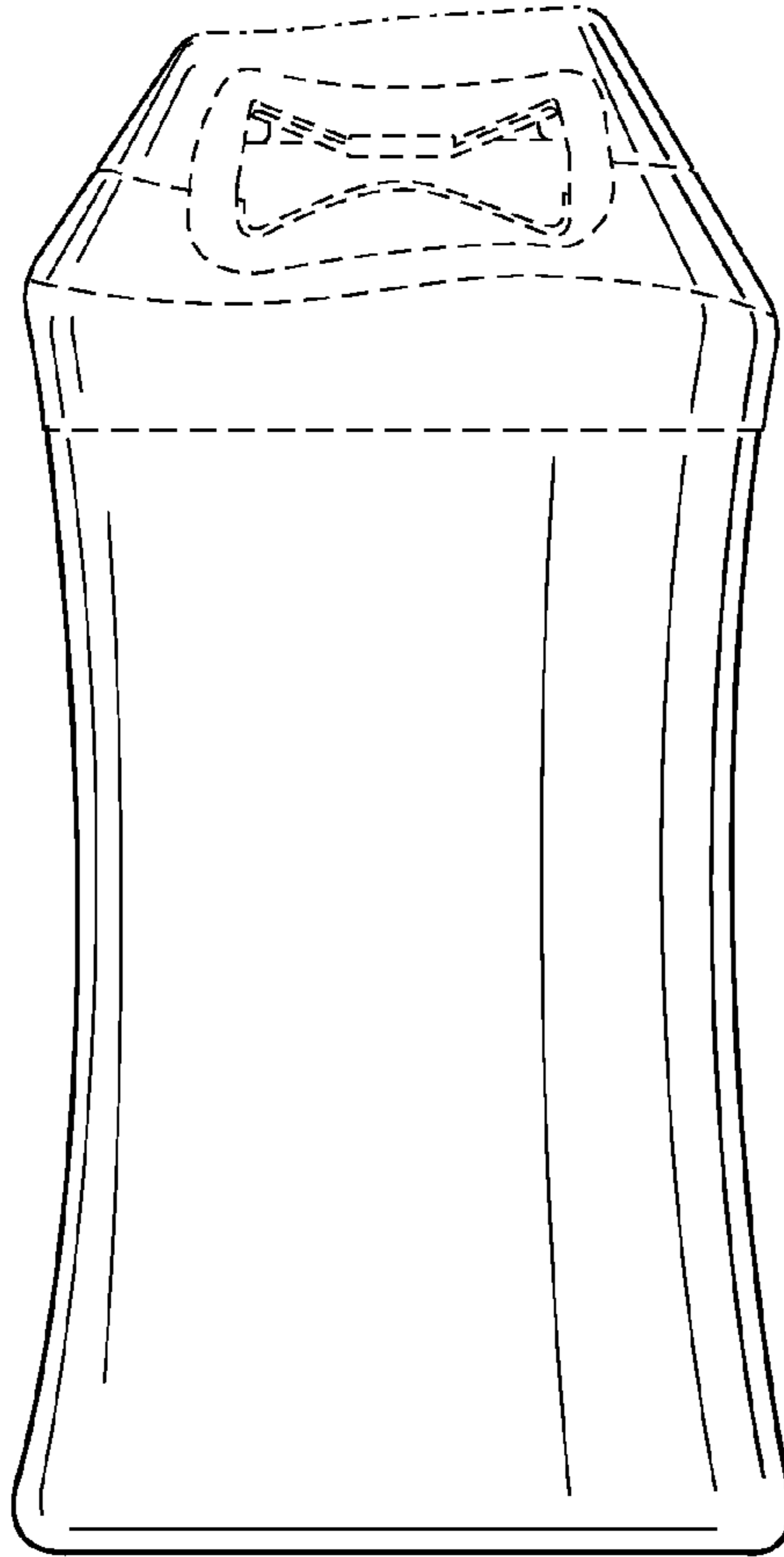
**FIG. 1**



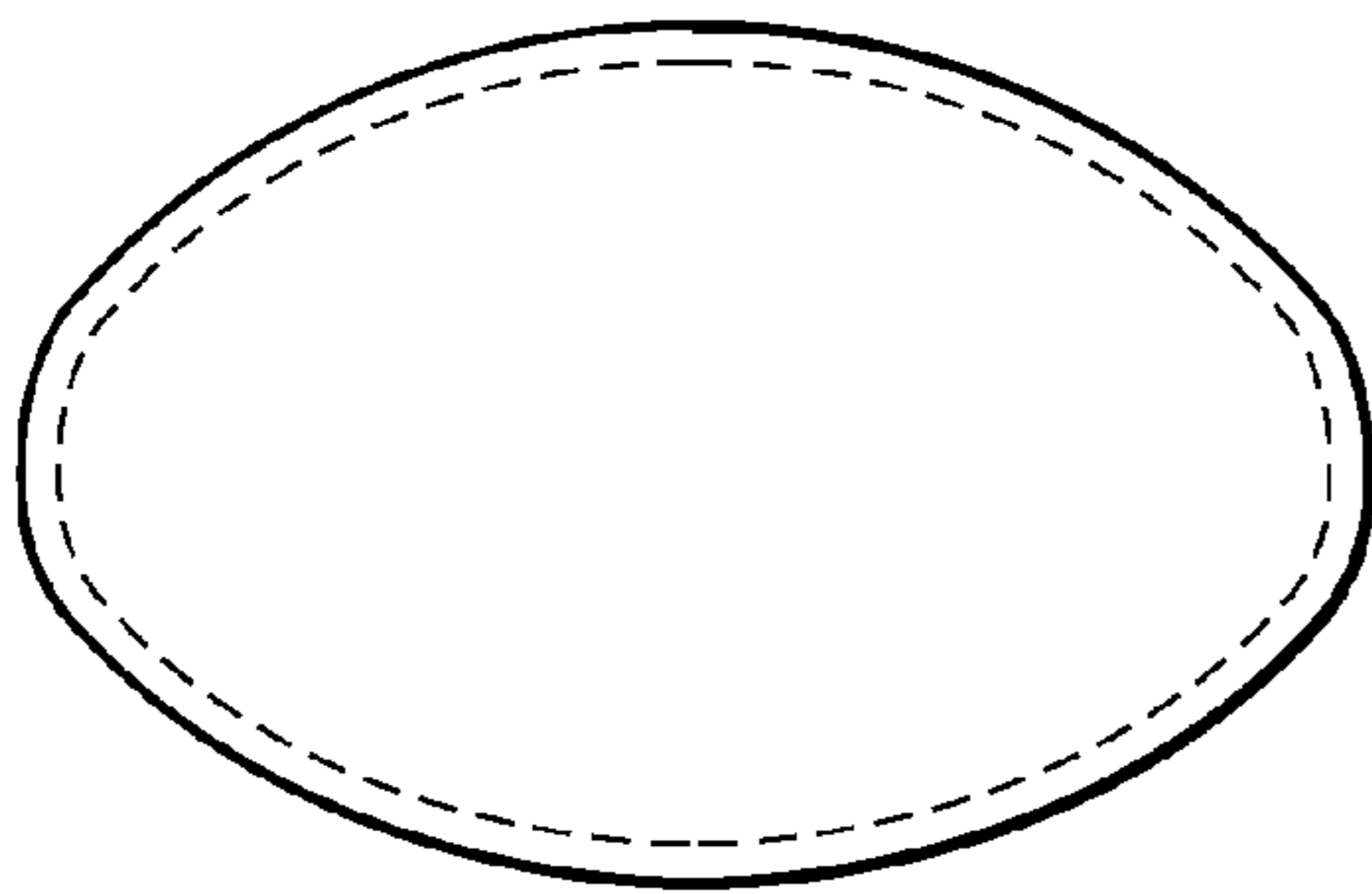
**FIG. 2**



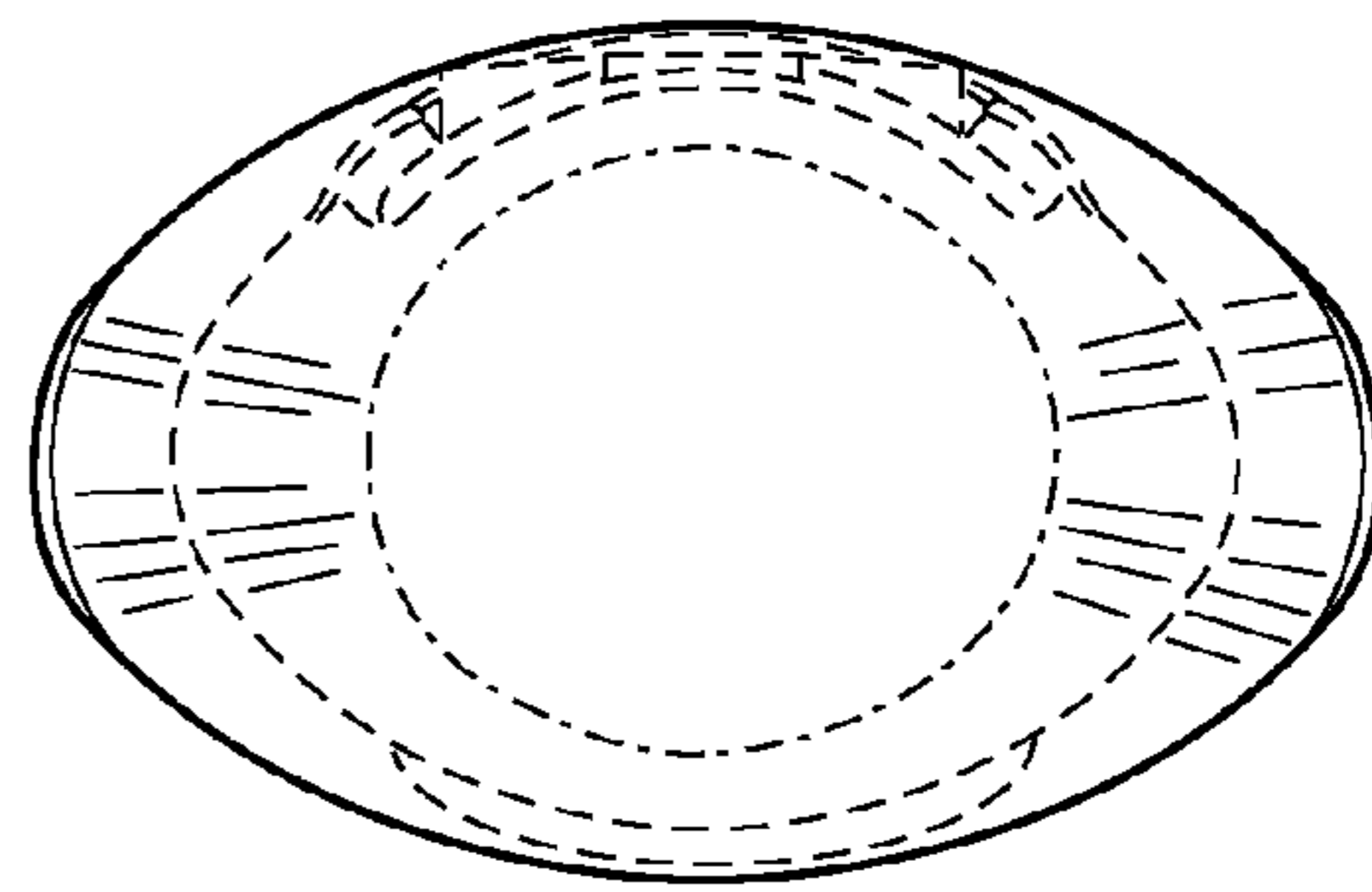
**FIG. 3**



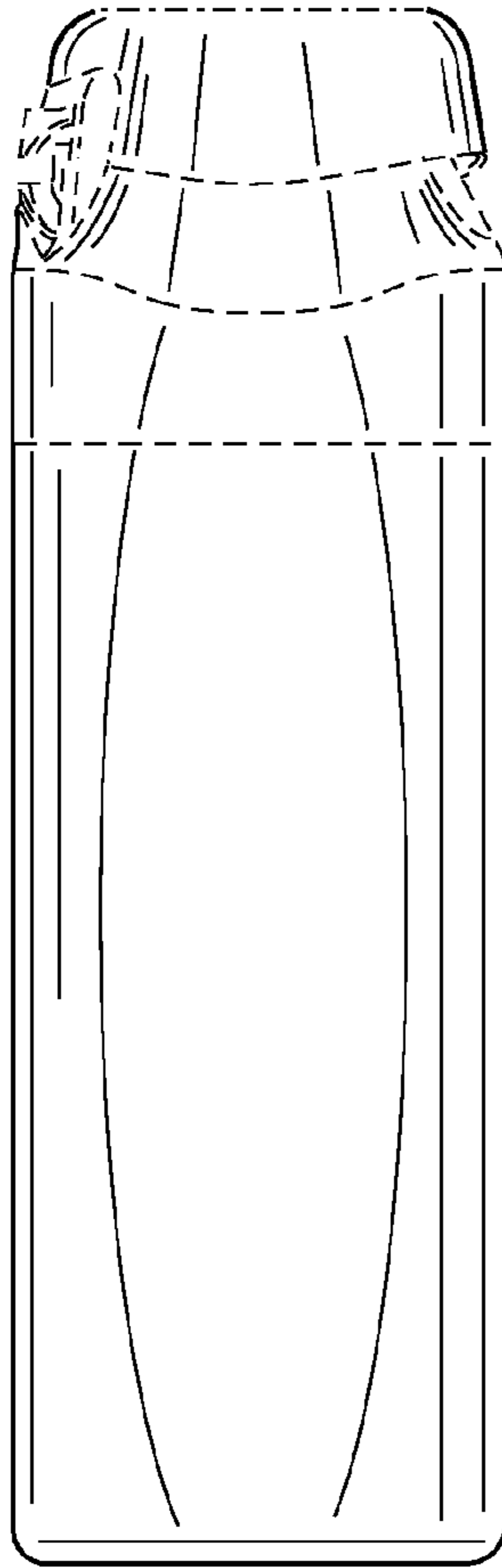
**FIG. 4**



**FIG. 5**



**FIG. 6**



**FIG. 7**

