



US00D735040S

(12) **United States Design Patent**
Dadon

(10) **Patent No.:** **US D735,040 S**
(45) **Date of Patent:** **** Jul. 28, 2015**

- (54) **NAIL POLISH BOTTLE WITH CAP**
- (71) Applicant: **Lior Dadon**, Tarzana, CA (US)
- (72) Inventor: **Lior Dadon**, Tarzana, CA (US)
- (**) Term: **14 Years**
- (21) Appl. No.: **29/476,722**
- (22) Filed: **Dec. 16, 2013**
- (51) **LOC (10) Cl.** **09-01**
- (52) **U.S. Cl.**
USPC **D9/522**
- (58) **Field of Classification Search**
USPC D4/116; D9/454, 520, 522, 529, 540,
D9/542, 551, 553, 560, 574; D11/143,
D11/155; D19/93, 191, 194; D21/707;
D28/56, 76, 85; 215/209, 354;
401/129; D3/271.1; 132/218; D24/121,
D24/124, 197, 224
CPC A61J 1/03; A61J 1/05; A47G 19/22;
A47G 19/2205; A47G 19/2266; B65D 1/02;
B65D 1/0223; B65D 1/08; B65D 1/10
See application file for complete search history.

D425,794 S *	5/2000	Grossnickle	D9/520
D425,798 S *	5/2000	Gavin	D9/574
6,059,474 A *	5/2000	Huang	401/129
D427,075 S *	6/2000	Gavin	D9/522
D429,154 S	8/2000	Chang		
D432,724 S *	10/2000	Gavin	D28/85
6,315,140 B1 *	11/2001	Nadel	215/354
D471,108 S *	3/2003	Calderone, Jr.	D9/520
D487,703 S *	3/2004	Orsomando	D9/574
D498,676 S *	11/2004	Crawford	D9/522
D535,104 S *	1/2007	Chen	D4/116
D546,560 S *	7/2007	Green	D3/271.1
D551,987 S *	10/2007	Kuethe et al.	D9/560
D619,469 S	7/2010	Volek		
D654,365 S *	2/2012	Im	D9/522
8,371,311 B2 *	2/2013	Gueret	132/218
D705,663 S *	5/2014	Guichot	D9/544

* cited by examiner

Primary Examiner — Thomas Johannes
Assistant Examiner — Catherine Posthauer
(74) *Attorney, Agent, or Firm* — Robert Lauson; Lauson & Tarver LLP

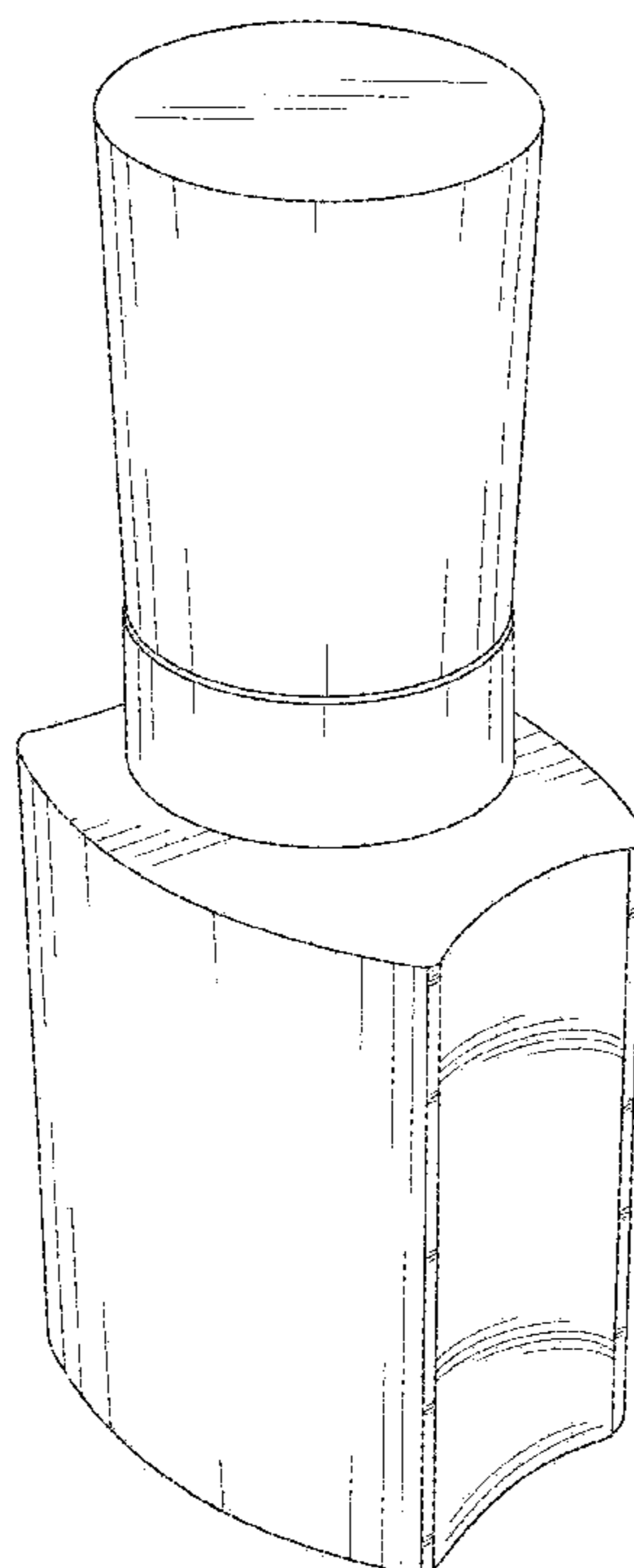
(57) **CLAIM**
The ornamental design for a nail polish bottle with cap, as shown and described.

DESCRIPTION

FIG. 1 is a perspective view of the nail polish bottle with cap; FIG. 2 is a front view thereof; FIG. 3 is a rear view thereof; FIG. 4 is a right side elevation view thereof; FIG. 5 is a left side elevation view thereof; and, FIG. 6 is a top view thereof.

1 Claim, 6 Drawing Sheets

- (56) **References Cited**
U.S. PATENT DOCUMENTS
D214,877 S * 8/1969 Blalo et al. D9/529
D293,944 S * 1/1988 Trabattoni D28/76
5,116,154 A 5/1992 Fulkerson
D353,101 S * 12/1994 Desgrippes D9/553
D379,764 S * 6/1997 Litton D9/522
D386,972 S * 12/1997 Stoecker D9/542



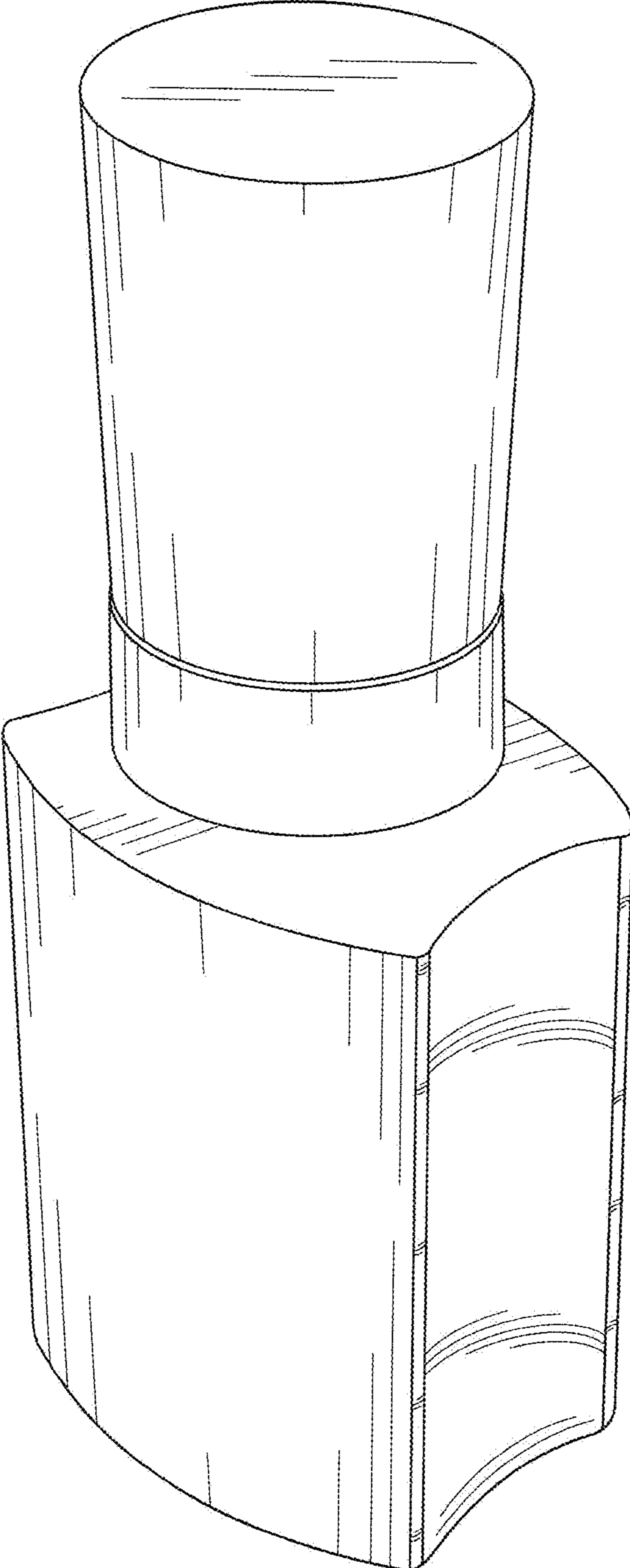


FIG. 1

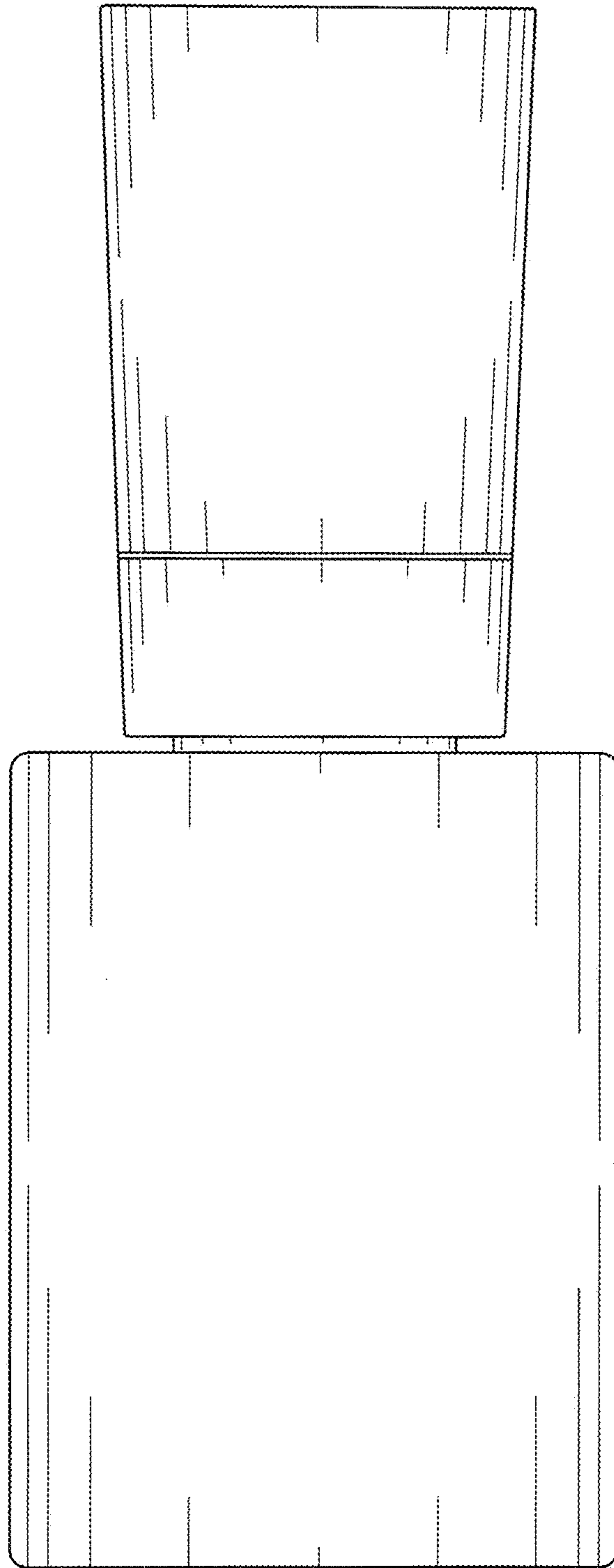


FIG. 2

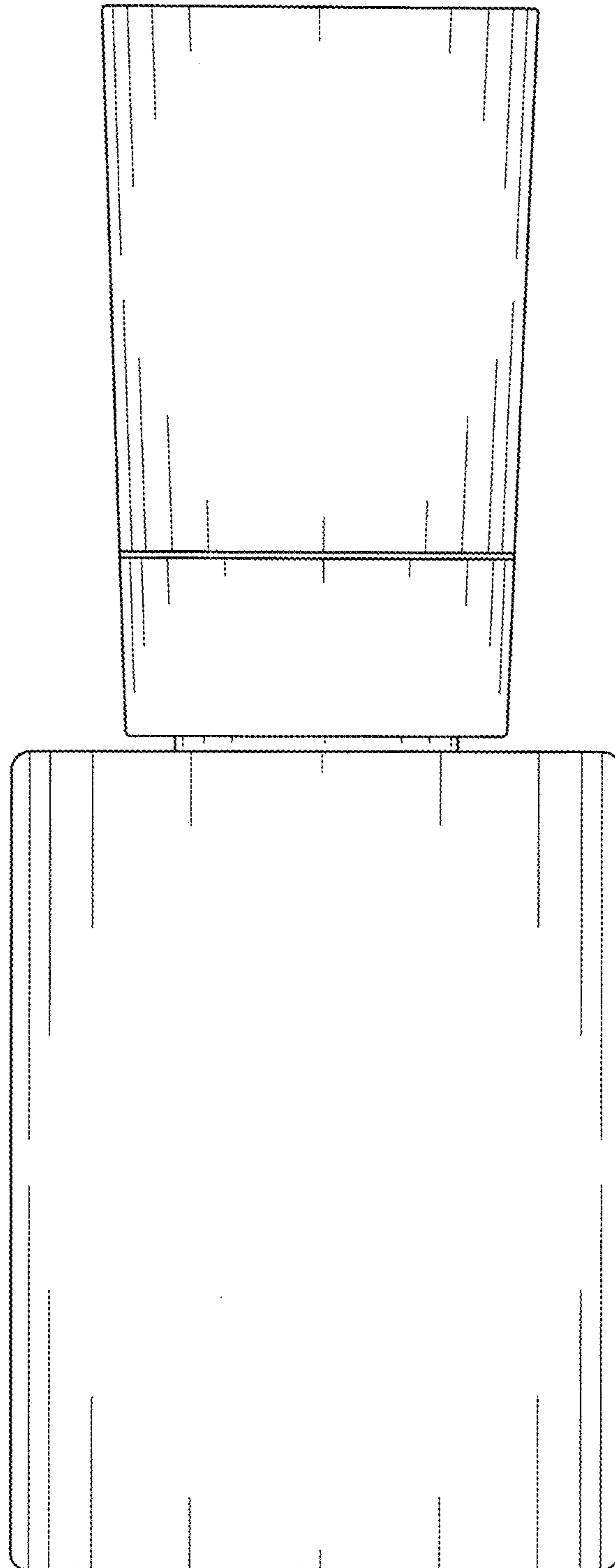


FIG. 3

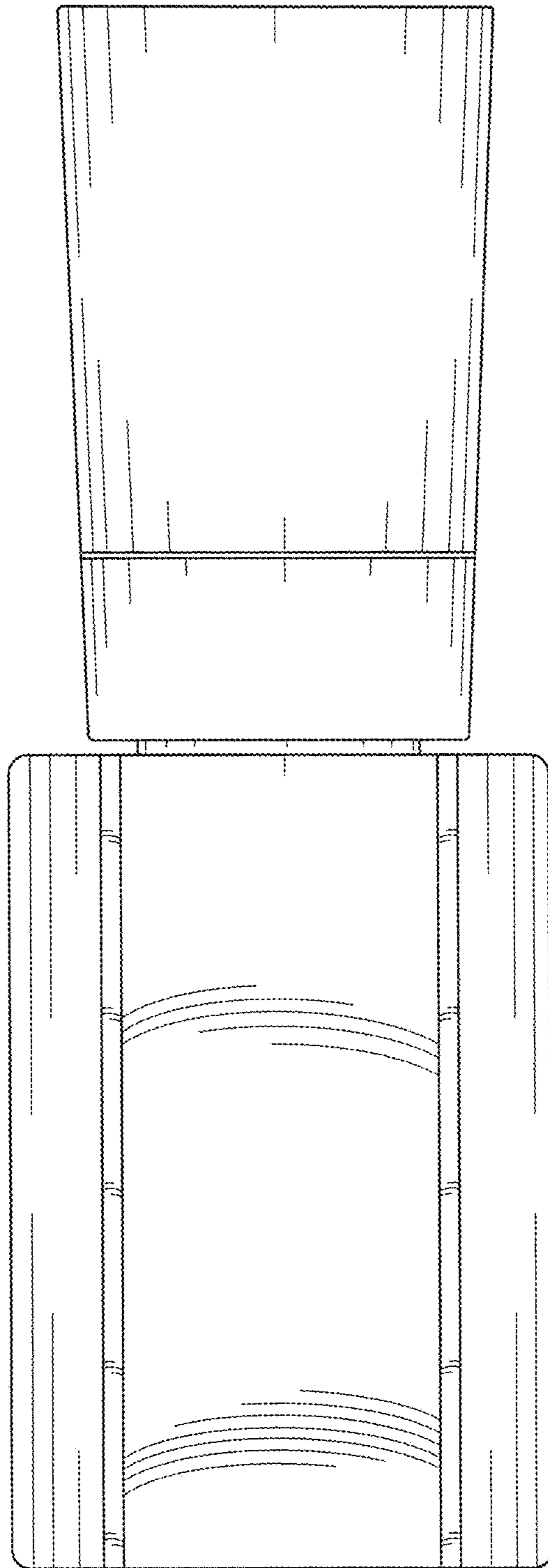


FIG. 4

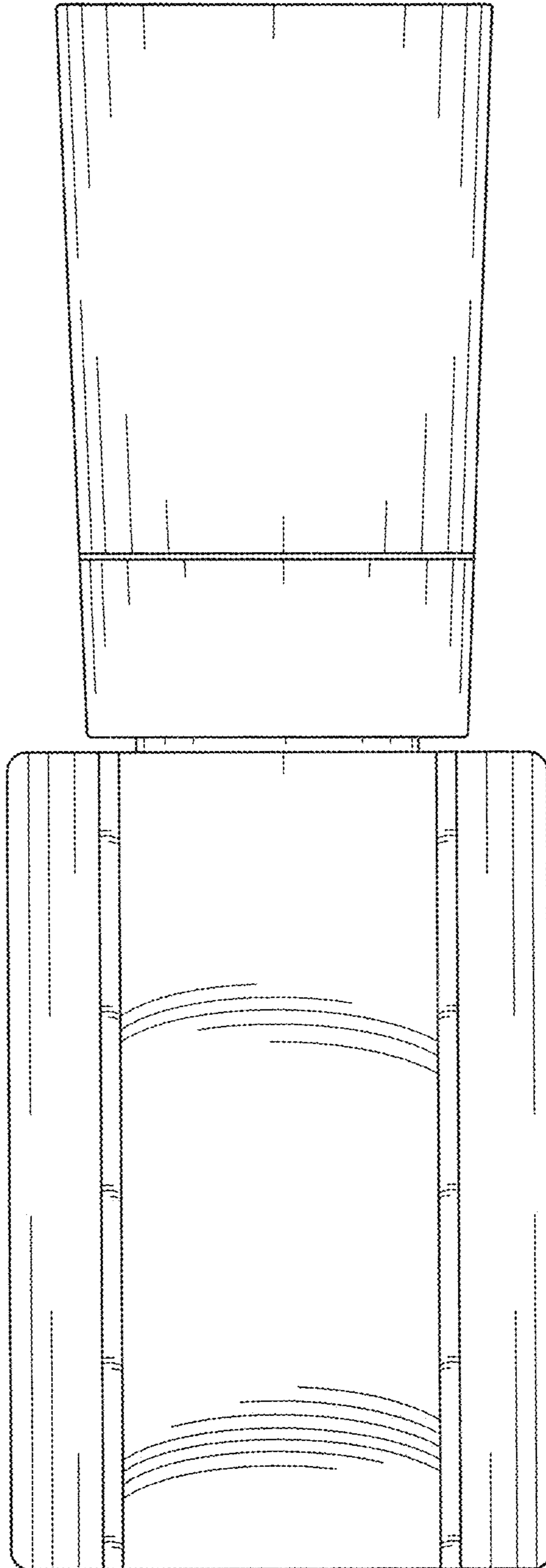


FIG. 5

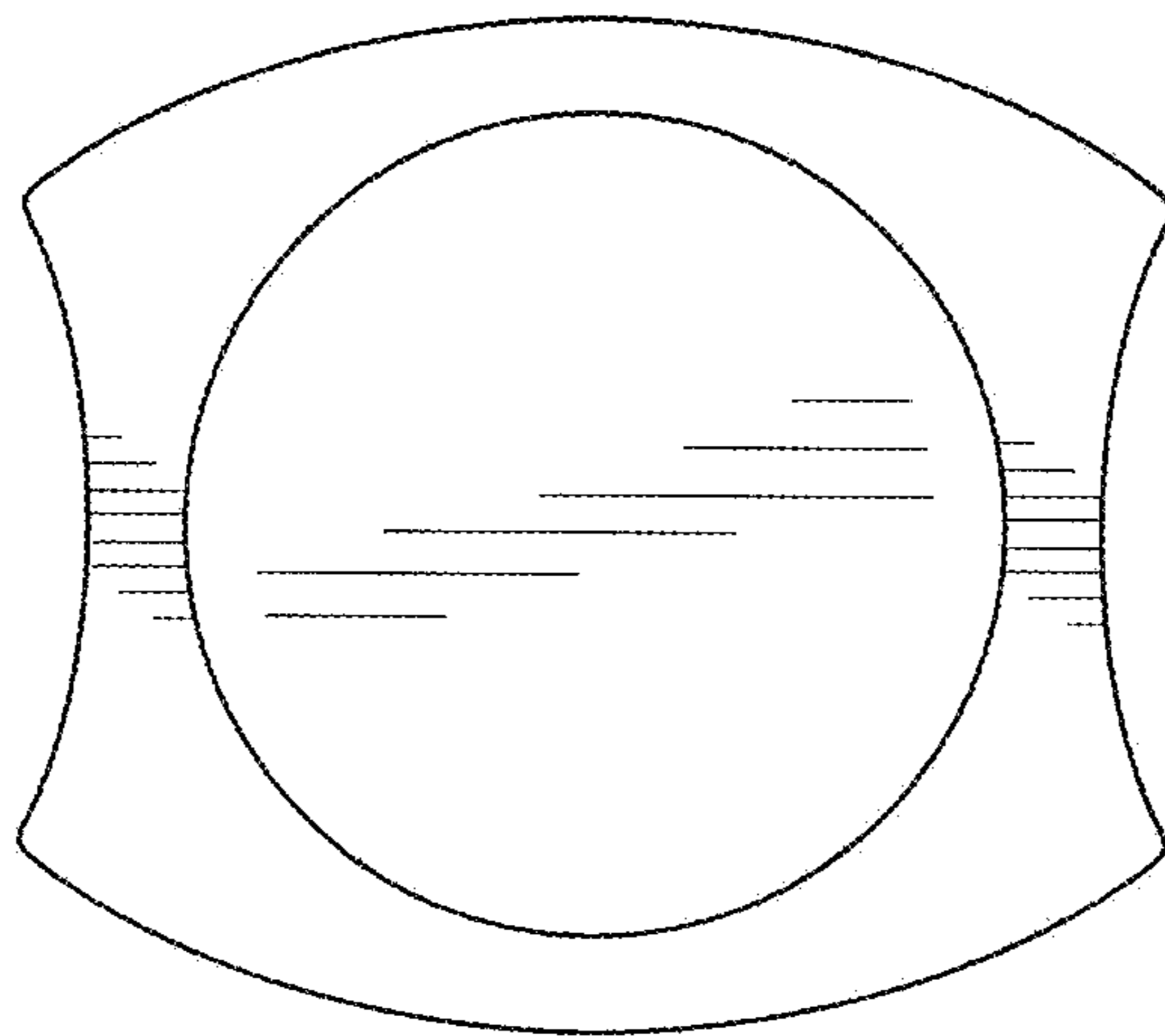


FIG. 6