



US00D735035S

(12) **United States Design Patent**
Lane

(10) **Patent No.:** **US D735,035 S**
(45) **Date of Patent:** **** Jul. 28, 2015**

(54) **LID**
(71) Applicant: **THERMOS L.L.C.**, Schaumburg, IL
(US)

(72) Inventor: **Marvin Lane**, Wheeling, IL (US)

(73) Assignee: **THERMOS L.L.C.**, Schaumburg, IL
(US)

(**) Term: **14 Years**

(21) Appl. No.: **29/486,563**

(22) Filed: **Mar. 31, 2014**

(51) **LOC (10) Cl.** **09-07**

(52) **U.S. Cl.**
USPC **D9/447**

(58) **Field of Classification Search**
USPC D7/387, 392, 397, 510, 511;
D9/434-436, 438, 440, 443, 445, 447,
D9/449, 453, 454, 499; 215/262, 270, 316,
215/317; 220/780, 782, 784
CPC B65D 2543/00092; B65D 2543/00296;
B65D 2543/00518
See application file for complete search history.

(56) **References Cited**

U.S. PATENT DOCUMENTS

| | | | | |
|--------------|---------|----------------|-------|--------|
| D281,581 S * | 12/1985 | MacEwen | | D9/435 |
| D403,964 S * | 1/1999 | Jansen | | D9/772 |
| D441,288 S * | 5/2001 | Pillers et al. | | D9/434 |
| D448,294 S * | 9/2001 | Alscher et al. | | D9/435 |
| D587,581 S * | 3/2009 | DeMarco et al. | | D9/454 |
| D597,838 S * | 8/2009 | Stuart | | D9/454 |
| D666,490 S * | 9/2012 | Leon | | D9/447 |
| D700,513 S * | 3/2014 | Carsrud et al. | | D9/447 |
| D704,053 S * | 5/2014 | Kim | | D9/447 |

| | | | | |
|--------------|--------|------------------|-------|--------|
| D707,557 S * | 6/2014 | Corradini et al. | | D9/436 |
| D707,558 S * | 6/2014 | Corradini et al. | | D9/436 |
| D721,920 S * | 2/2015 | Coon et al. | | D7/510 |

OTHER PUBLICATIONS

Bootic. Thermos. Oct. 29, 2013 [online], [site visited Feb. 5, 2015]. Available from Internet, <URL:http://www.bootic.com/thermos/home-and-garden/kitchen-and-dining/tableware/drinkware/thermos-nissan-16-ounce-stainless-steel-backpack-bottle>.*
YouTube. Thermos Nissan 16-Ounce Stainless-Steel Backpack Bottle Review. Feb. 23, 2013 [online], [site visited Feb. 5, 2015]. Available from Internet, <URL:https://www.youtube.com/watch?v=8PnmUihk_uQ>.*

* cited by examiner

Primary Examiner — Robert M Spear

Assistant Examiner — Darcey E Heflin

(74) *Attorney, Agent, or Firm* — Polsinelli PC

(57) **CLAIM**

The ornamental design for a lid, as shown and described.

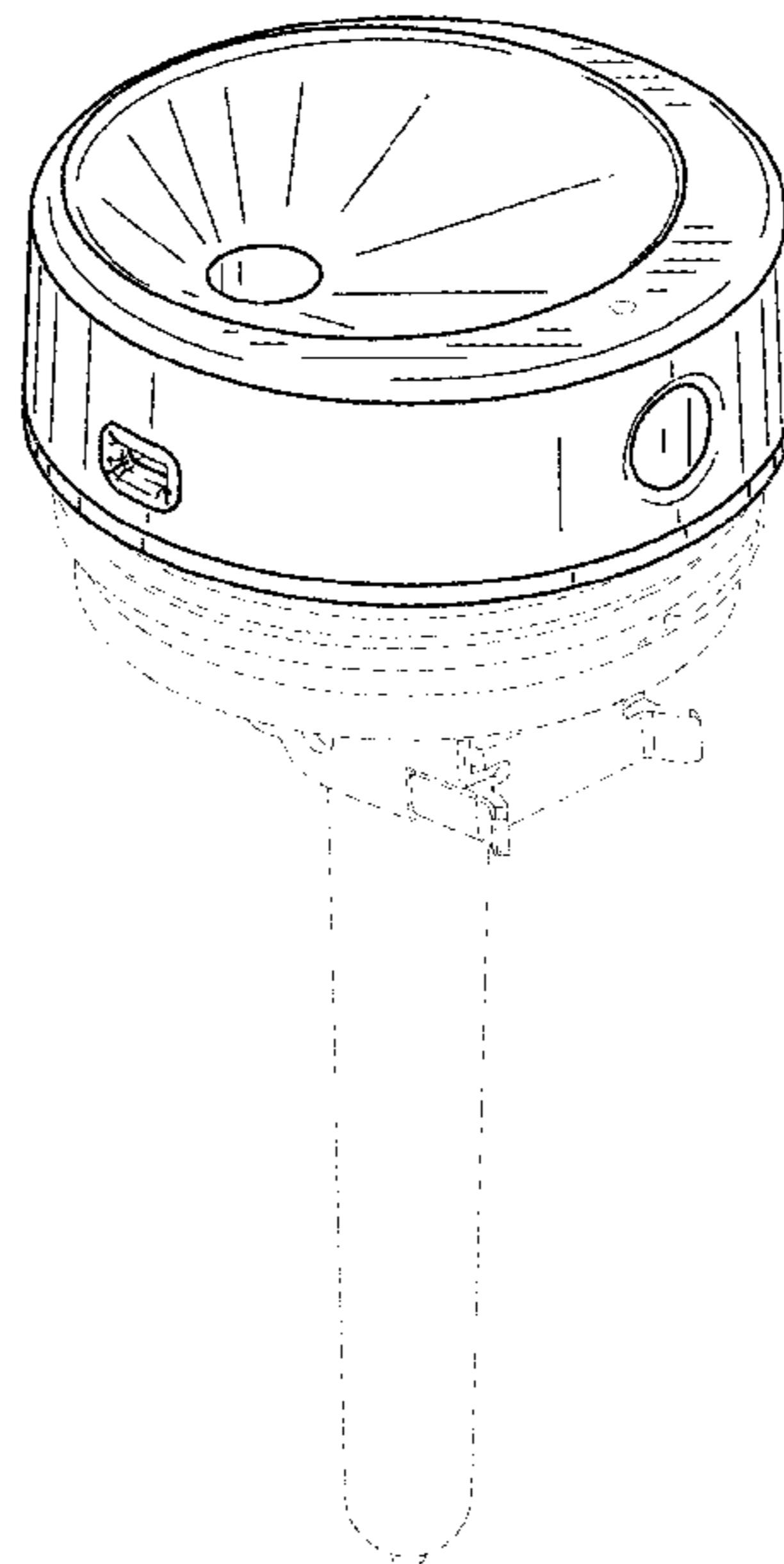
DESCRIPTION

FIG. 1 is a perspective view of the lid;
FIG. 2 is a front view of the lid;
FIG. 3 is a right side view of the lid;
FIG. 4 is a rear view of the lid;
FIG. 5 is a left side view of the lid;
FIG. 6 is a top view of the lid; and,
FIG. 7 is a bottom view of the lid.

The broken lines showing in the Figures are included for the purpose of illustrating portions of the lid that form no part of the claimed design.

In the drawings, the broken lines depict unclaimed environmental subject matter and form no part of the claim; the dash-dot-dash lines represent boundaries of the claimed design and form no part thereof.

1 Claim, 4 Drawing Sheets



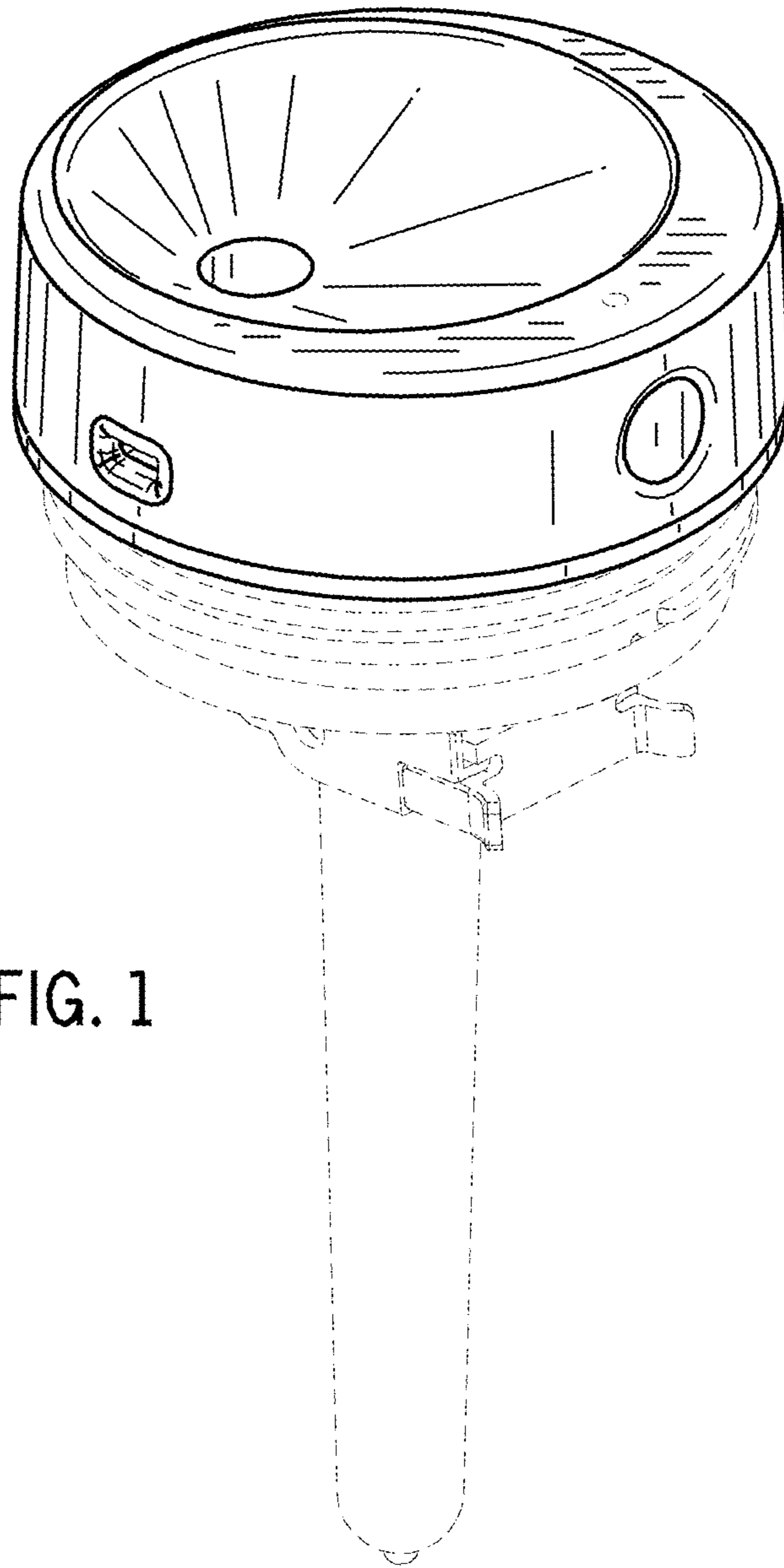


FIG. 1

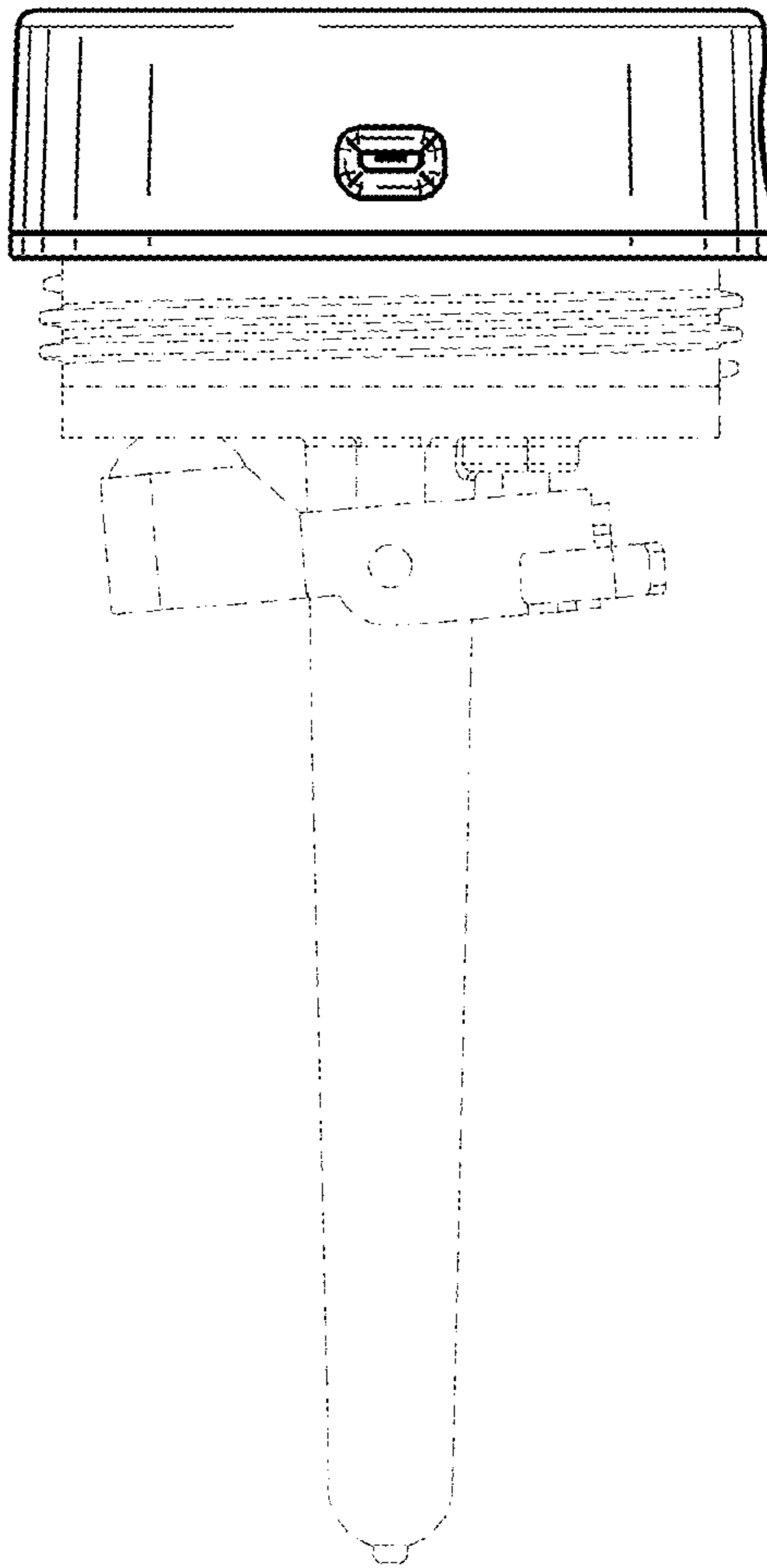


FIG. 2

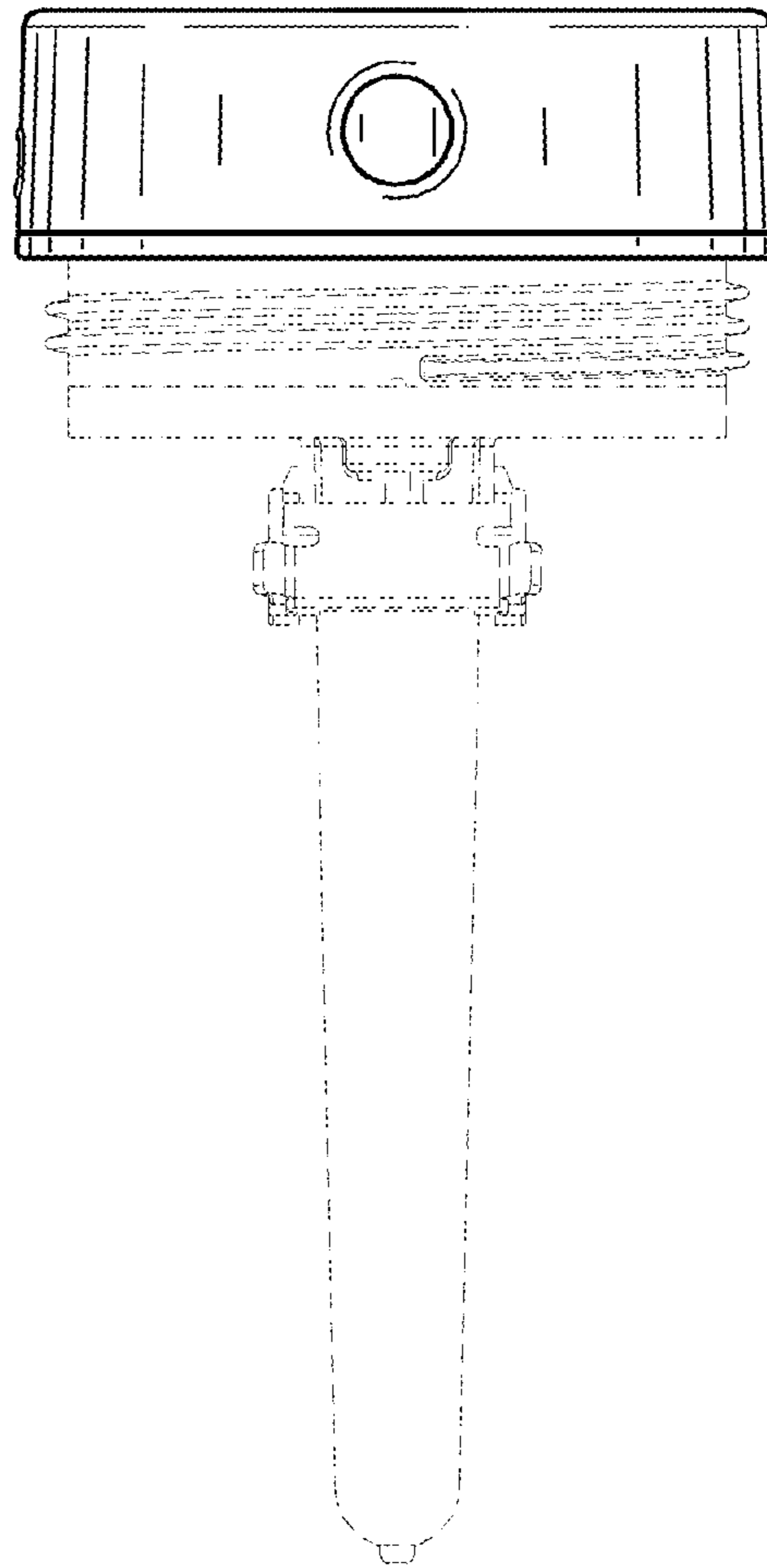


FIG. 3

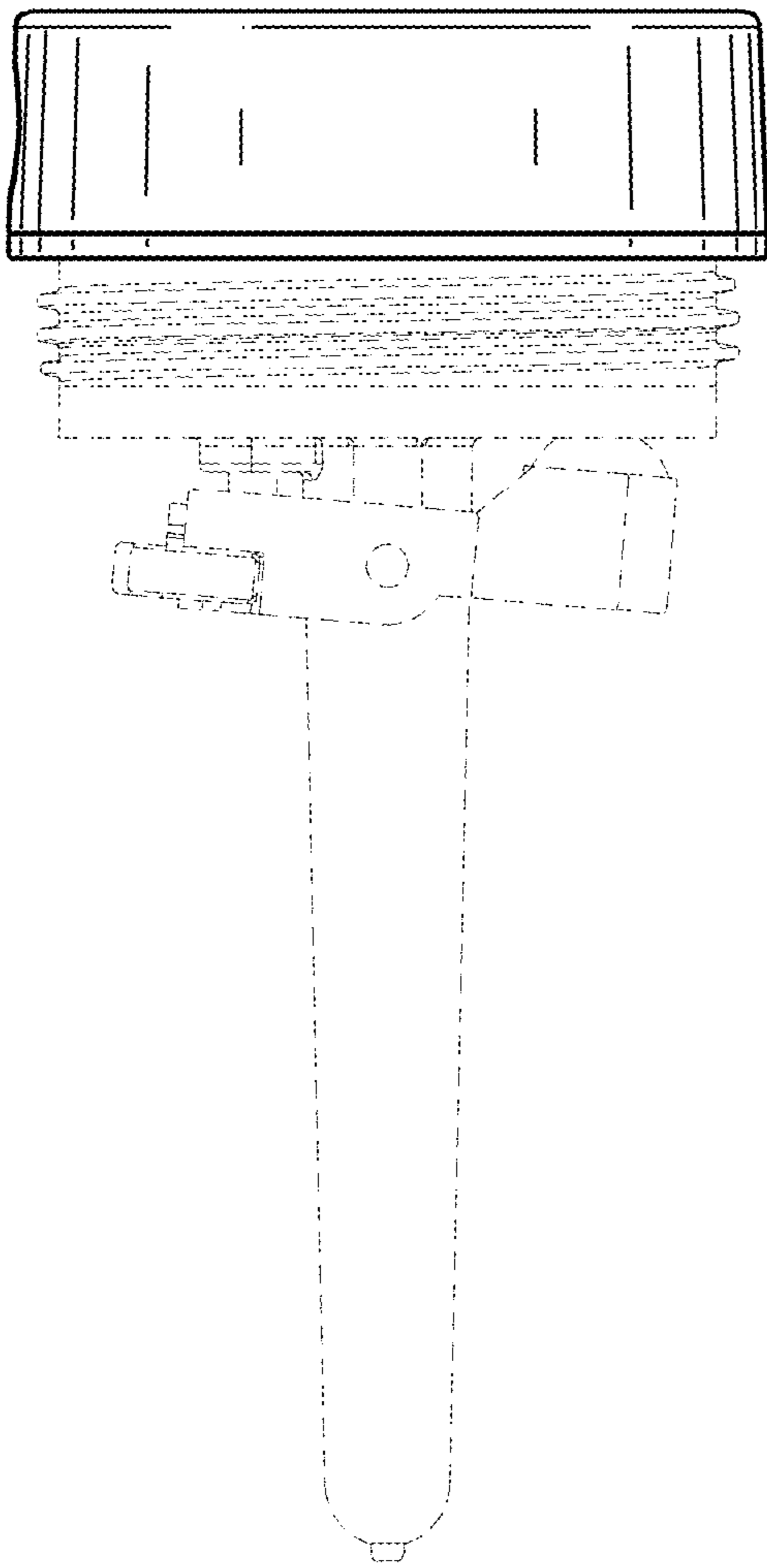


FIG. 4

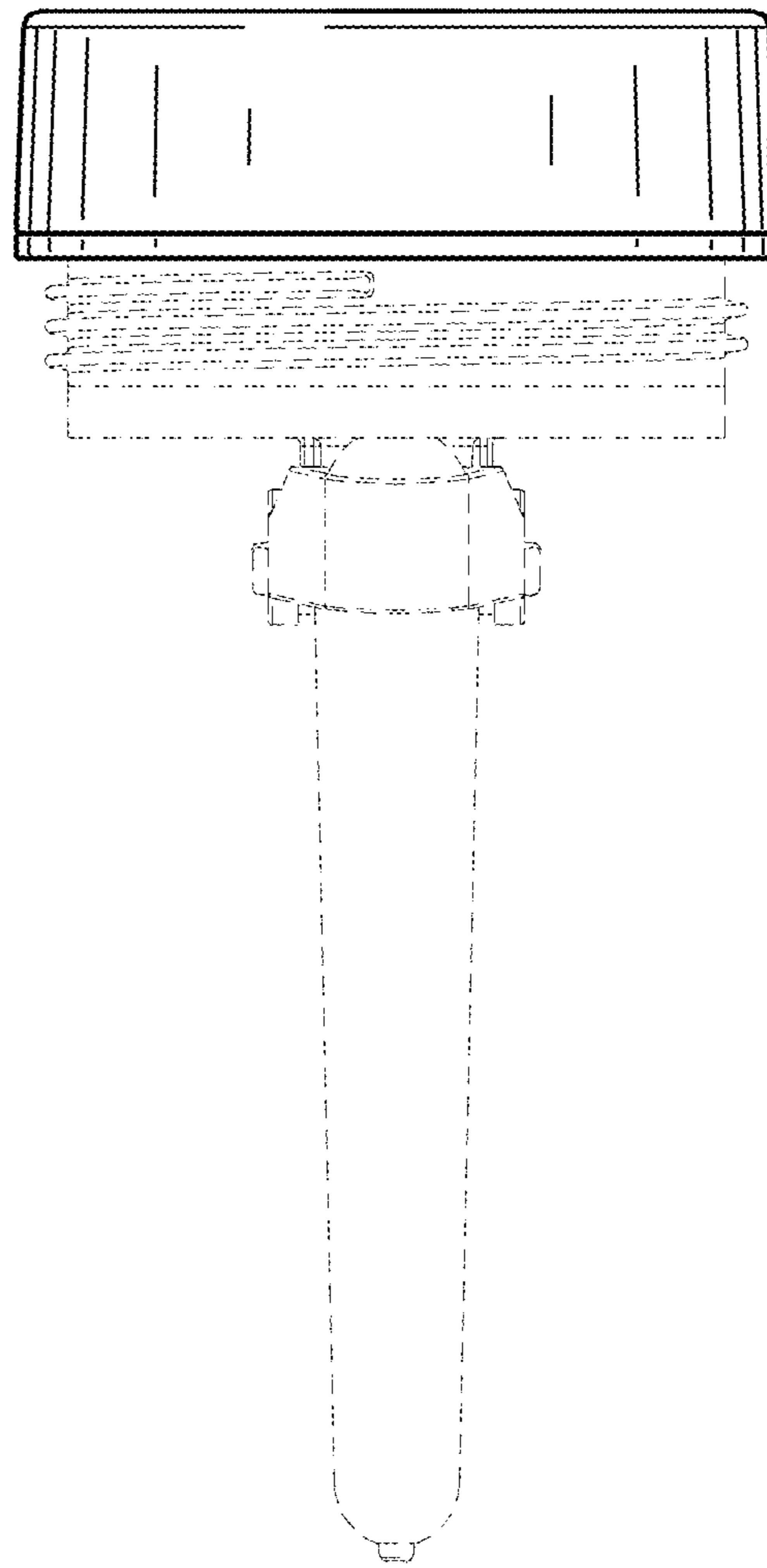


FIG. 5

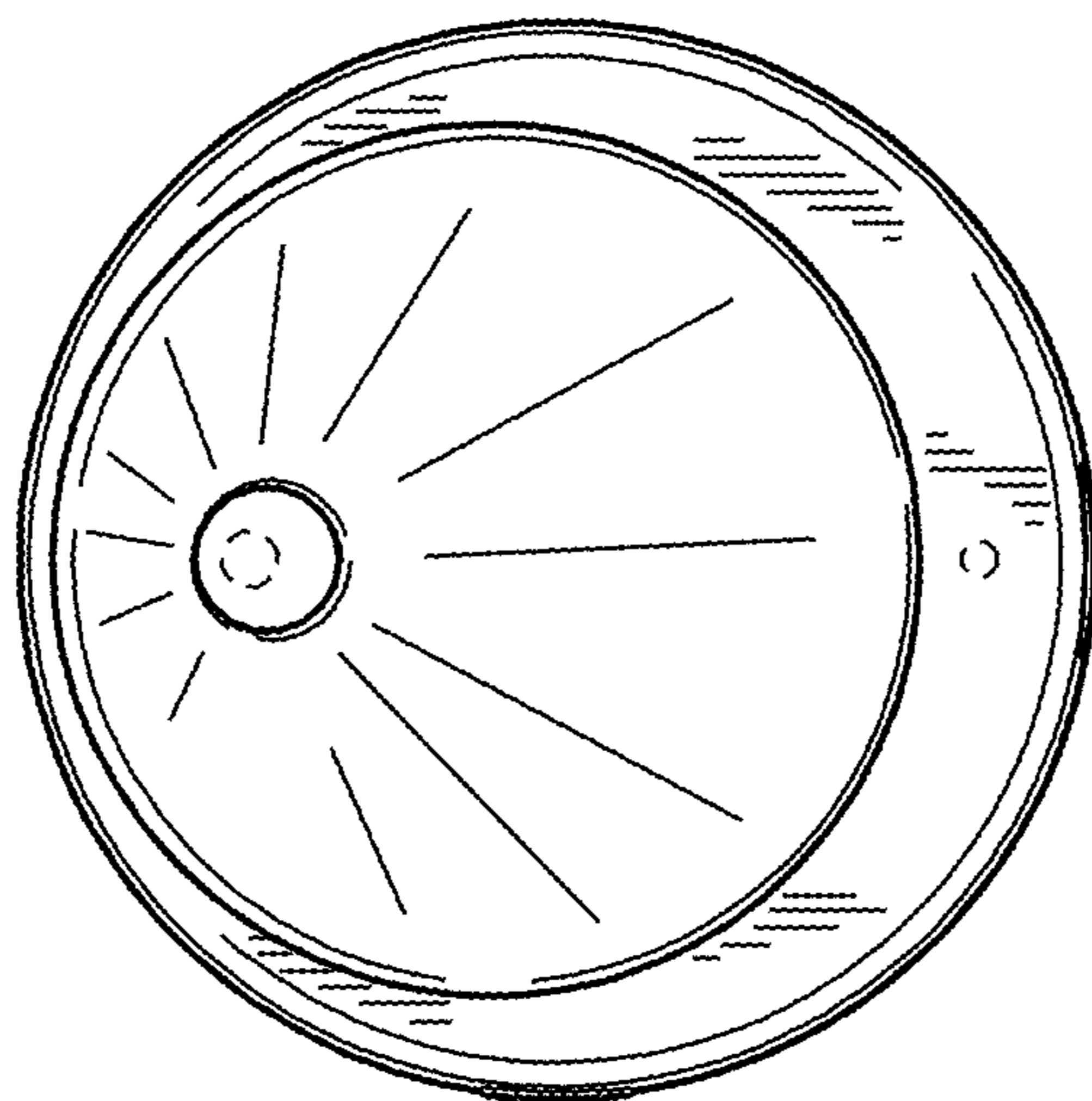


FIG. 6

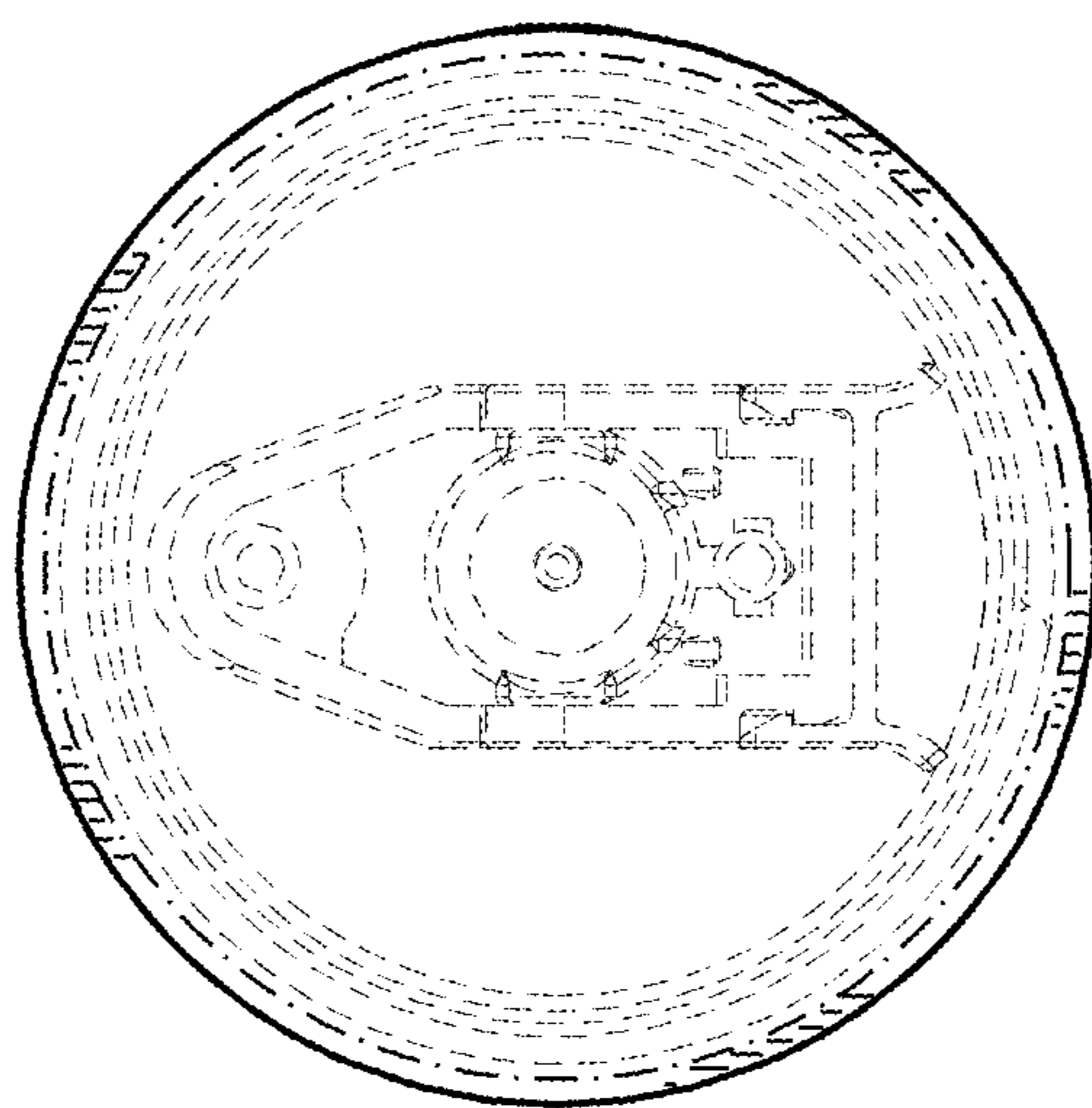


FIG. 7