



US00D735034S

(12) **United States Design Patent**
Riddell et al.

(10) **Patent No.:** **US D735,034 S**
(45) **Date of Patent:** **** Jul. 28, 2015**

- (54) **GAS CONTAINER SHROUD**
- (71) Applicant: **The Scott Fetzer Company**, Westlake, OH (US)
- (72) Inventors: **Erin Riddell**, Bay Village, OH (US);
Bryan Eyring, Lakewood, OH (US);
Gregory Eytchison, Huron, OH (US);
Ryan Pereira, Westlake, OH (US)
- (73) Assignee: **Western/Scott Fetzer Company**, Westlake, OH (US)
- (**) Term: **14 Years**
- (21) Appl. No.: **29/461,733**
- (22) Filed: **Jul. 26, 2013**
- (51) **LOC (10) Cl.** **09-01**
- (52) **U.S. Cl.**
USPC **D9/445**
- (58) **Field of Classification Search**
USPC D7/396.2, 507, 509, 510, 511;
D9/434-455, 524, 682, 685, 694;
215/200, 235, 236, 252, 254, 329,
215/355-364; 220/203.04-203.07, 220,
220/254.1, 254.4, 556, 703, 704, 705;
D6/542-545; D23/206, 260; 294/27.1,
294/145
See application file for complete search history.

- 7,237,570 B2 7/2007 Gamard et al.
- D554,524 S * 11/2007 Py D9/682
- 7,823,606 B2 11/2010 Nicolini
- D647,997 S * 11/2011 Squires et al. D23/206
- D650,280 S * 12/2011 de Peyerimhoff et al. D9/504
- D673,857 S * 1/2013 Kopulos et al. D9/543
- 8,534,312 B2 * 9/2013 Burgess et al. 137/382
- D692,981 S * 11/2013 Fowler et al. D23/206
- 2007/0257498 A1 * 11/2007 Swain 294/27.1

* cited by examiner

Primary Examiner — Robert M Spear
Assistant Examiner — Marissa J Cash
(74) *Attorney, Agent, or Firm* — Tarolli, Sundheim, Covell & Tummino, LLP

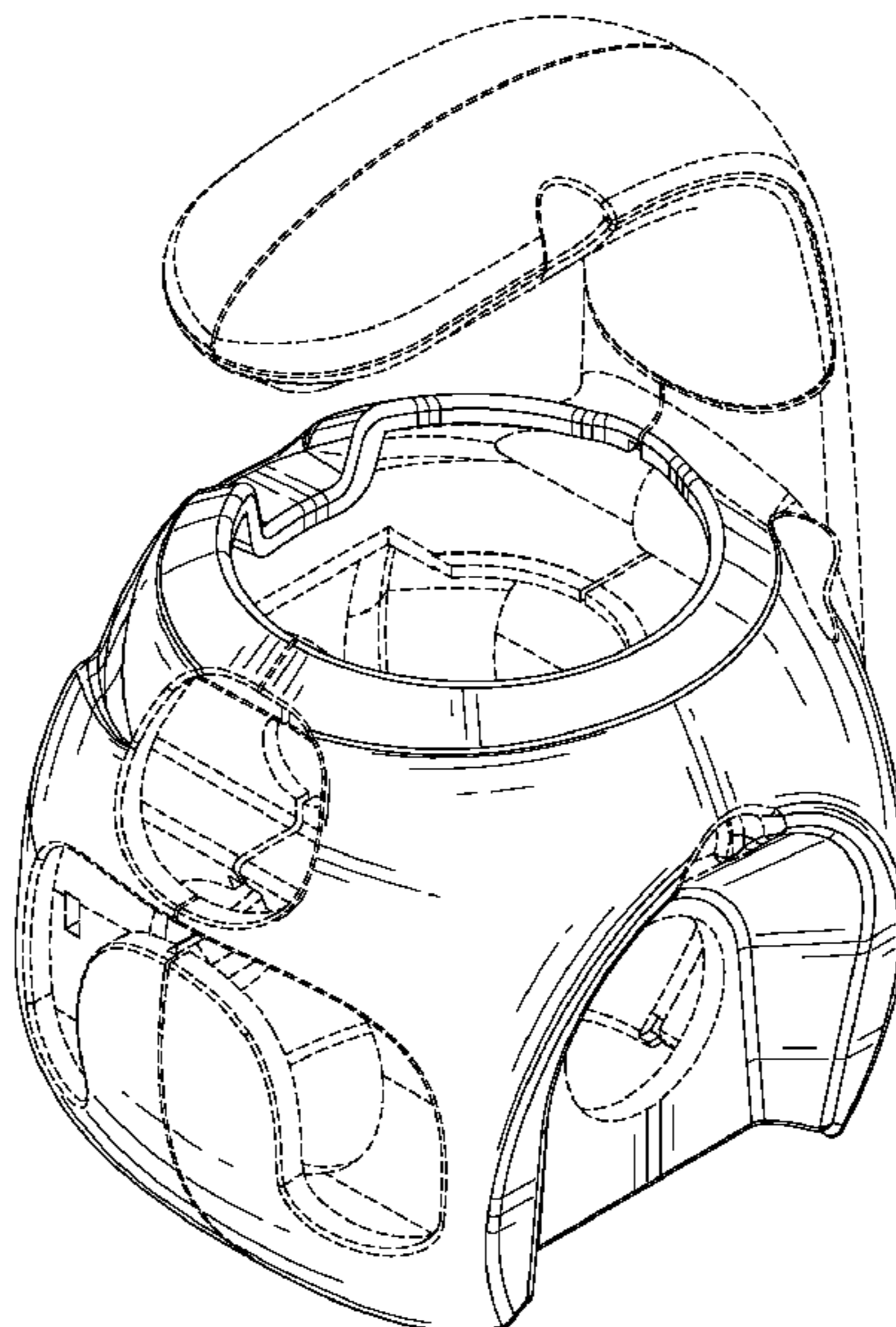
(57) **CLAIM**
The ornamental design for a gas container shroud, as shown and described.

DESCRIPTION

FIG. 1 is a front right perspective view of a gas container shroud;
FIG. 2 is a rear left perspective view thereof;
FIG. 3 is a rear right perspective view thereof;
FIG. 4 is a front left perspective view thereof;
FIG. 5 is a front elevation view thereof;
FIG. 6 is a rear elevation view thereof;
FIG. 7 is a left elevation view thereof;
FIG. 8 is a right elevation view thereof;
FIG. 9 is a top plan view thereof; and,
FIG. 10 is a bottom plan view thereof.
The broken lines immediately adjacent the shaded areas and undefined unshaded areas represent the bounds of the claimed design, while all other broken lines are directed to environment and are for illustrative purposes only; the broken lines form no part of the claimed design.

- (56) **References Cited**
U.S. PATENT DOCUMENTS
D49,555 S * 8/1916 Vivaudou D9/504
D367,921 S * 3/1996 Lewellen D23/260
D370,834 S * 6/1996 Hartman D7/612
5,992,239 A 11/1999 Boehringer et al.
D439,956 S * 4/2001 Nilsson D23/260

1 Claim, 10 Drawing Sheets



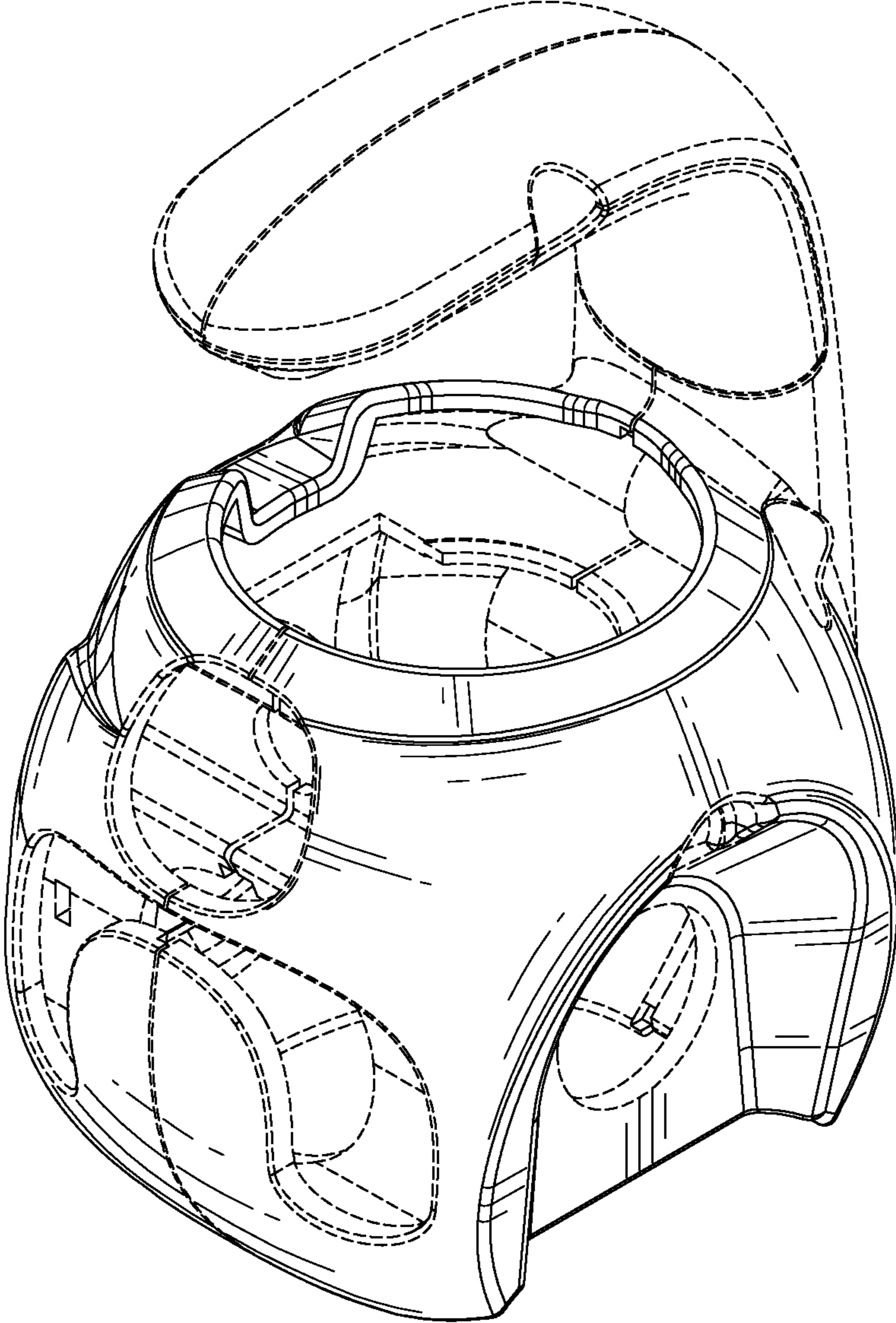


FIG. 1

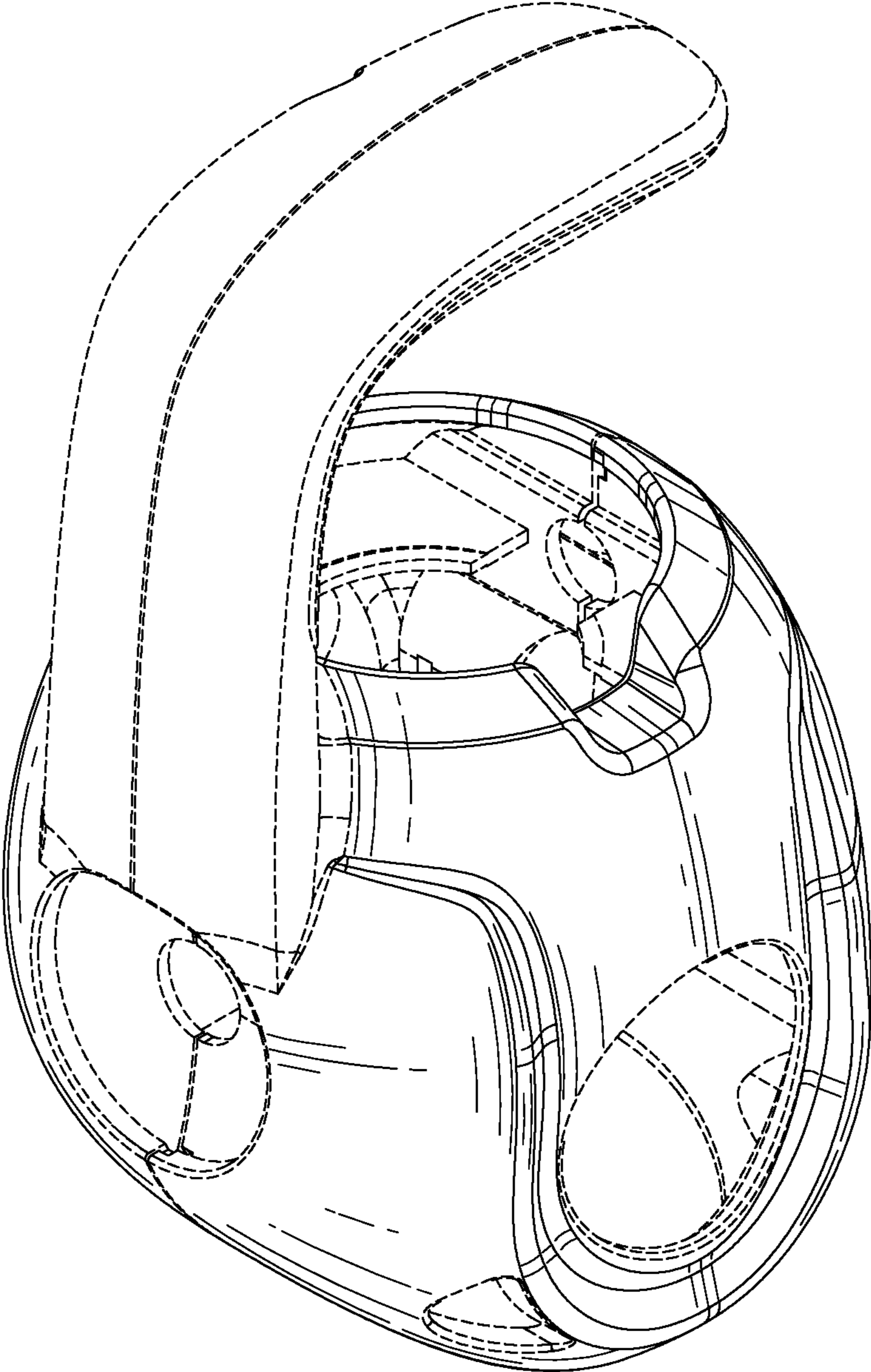


FIG. 2

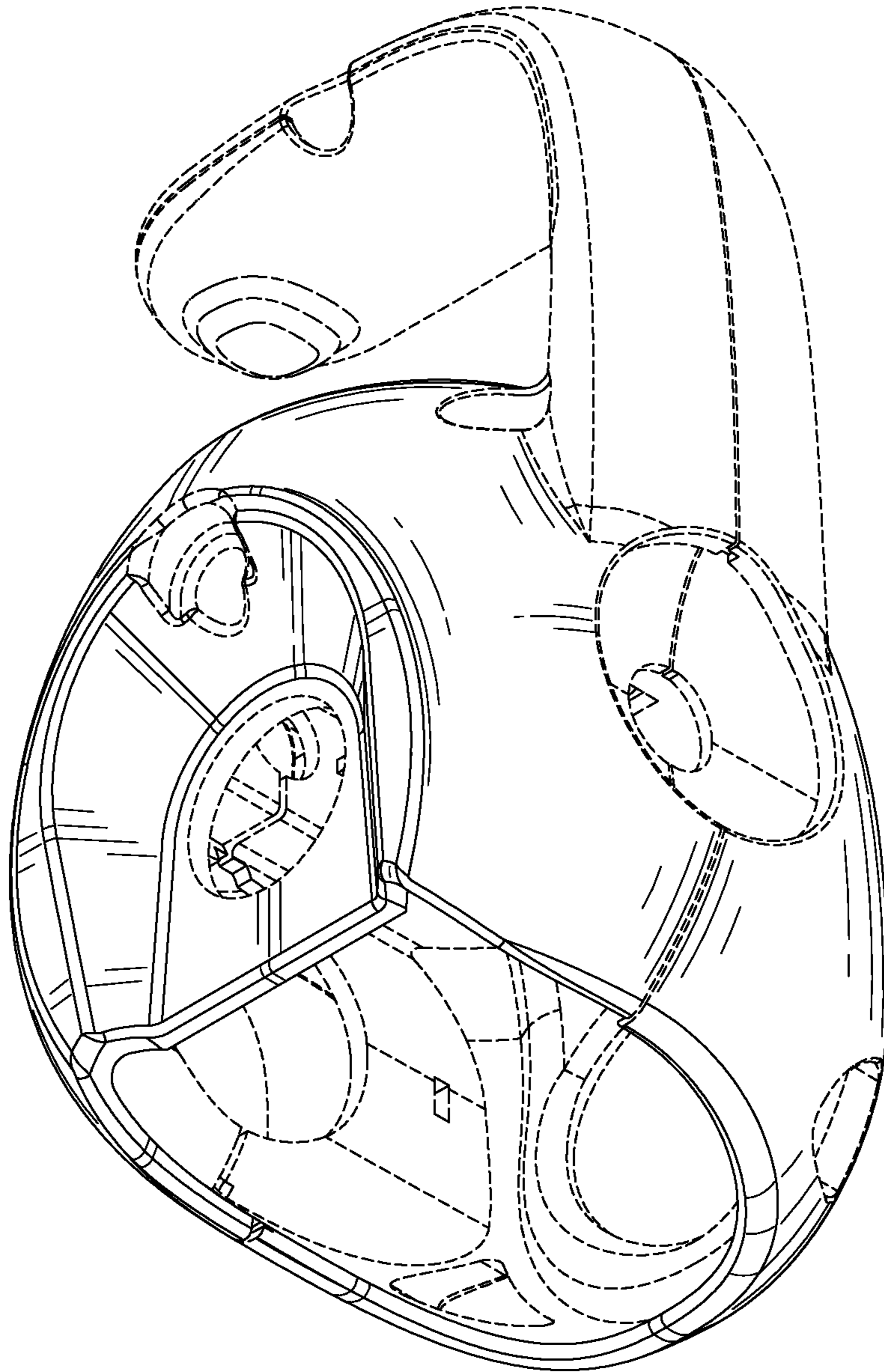


FIG. 3

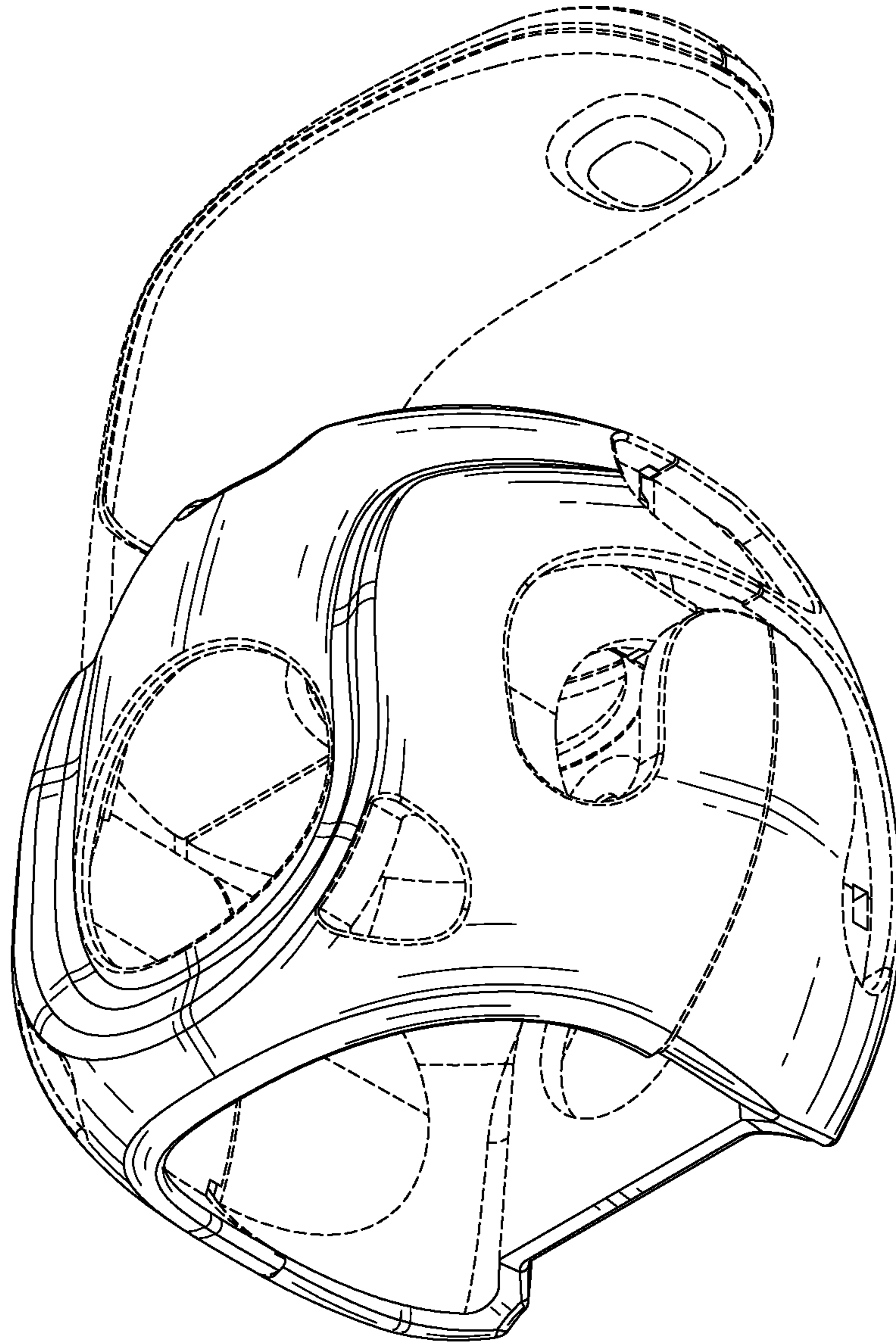


FIG. 4

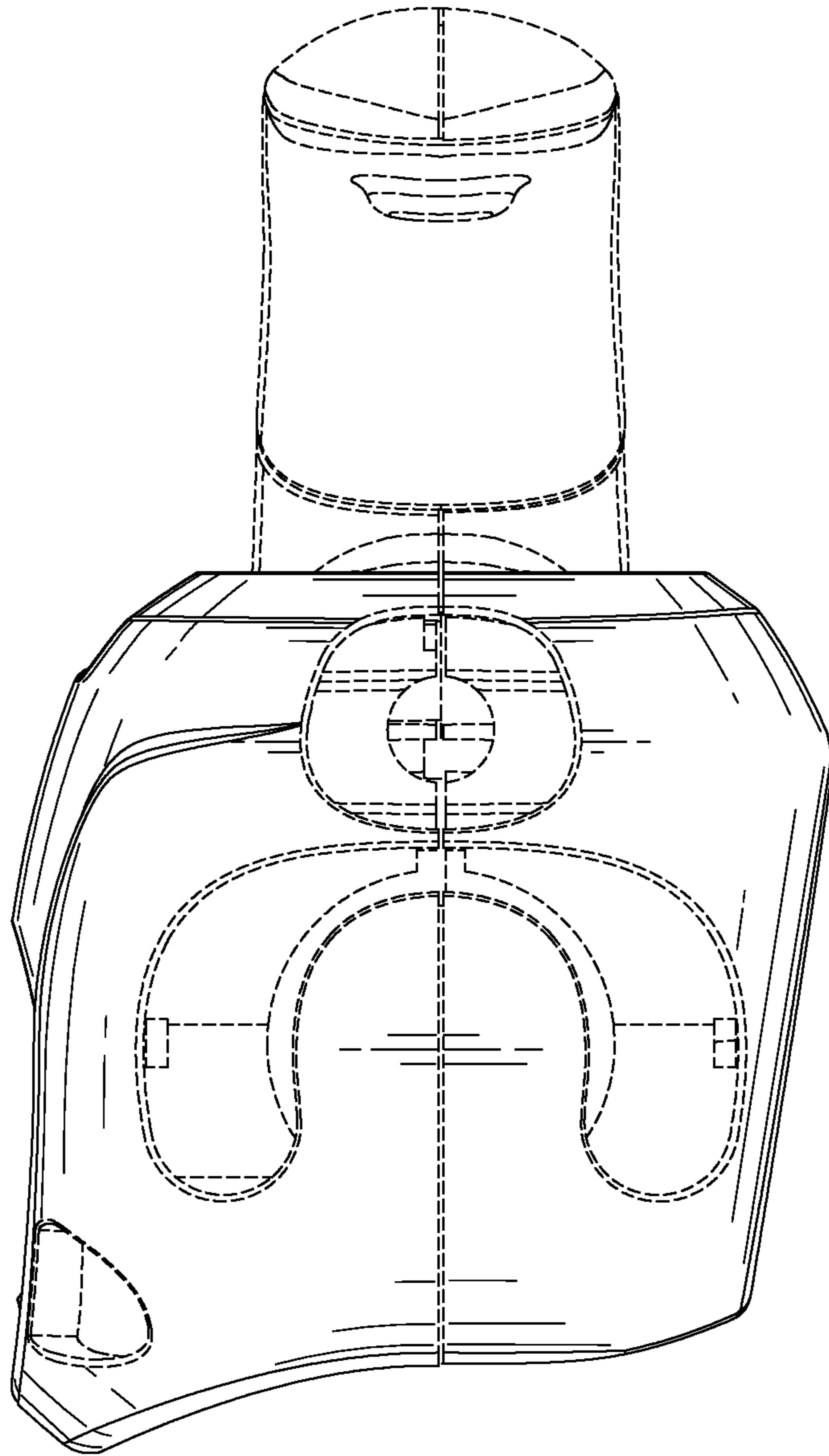


FIG. 5

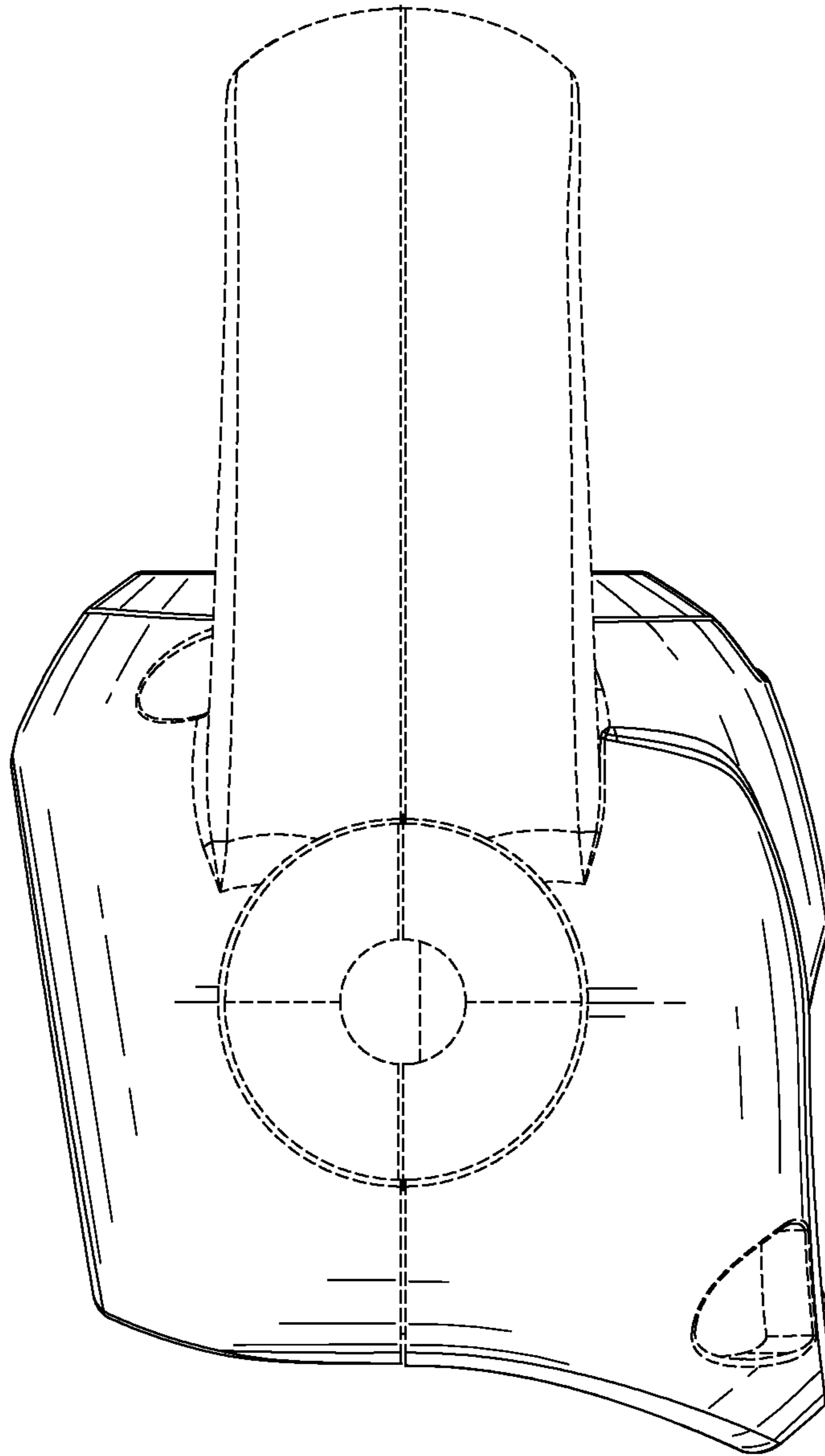


FIG. 6

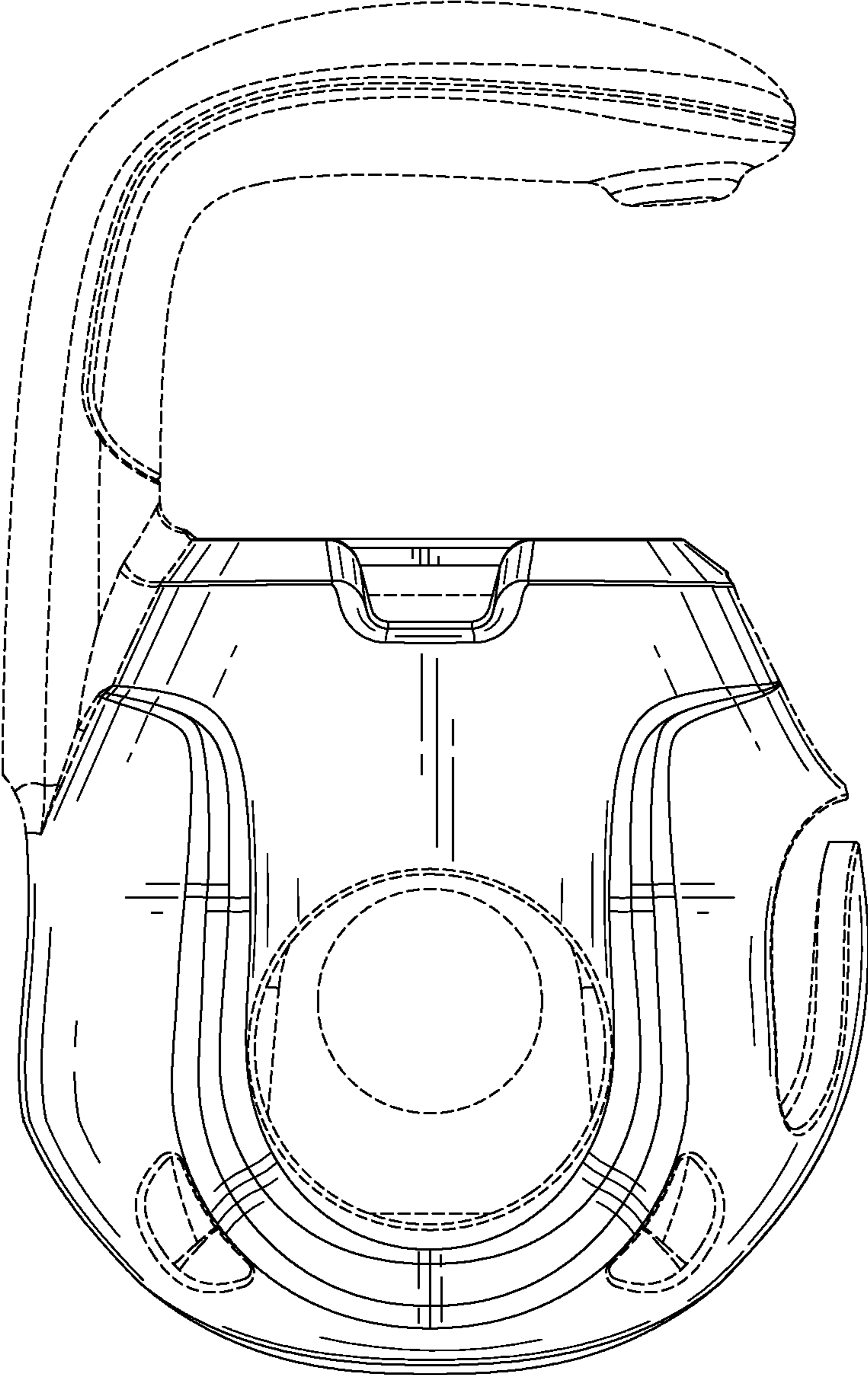


FIG. 7

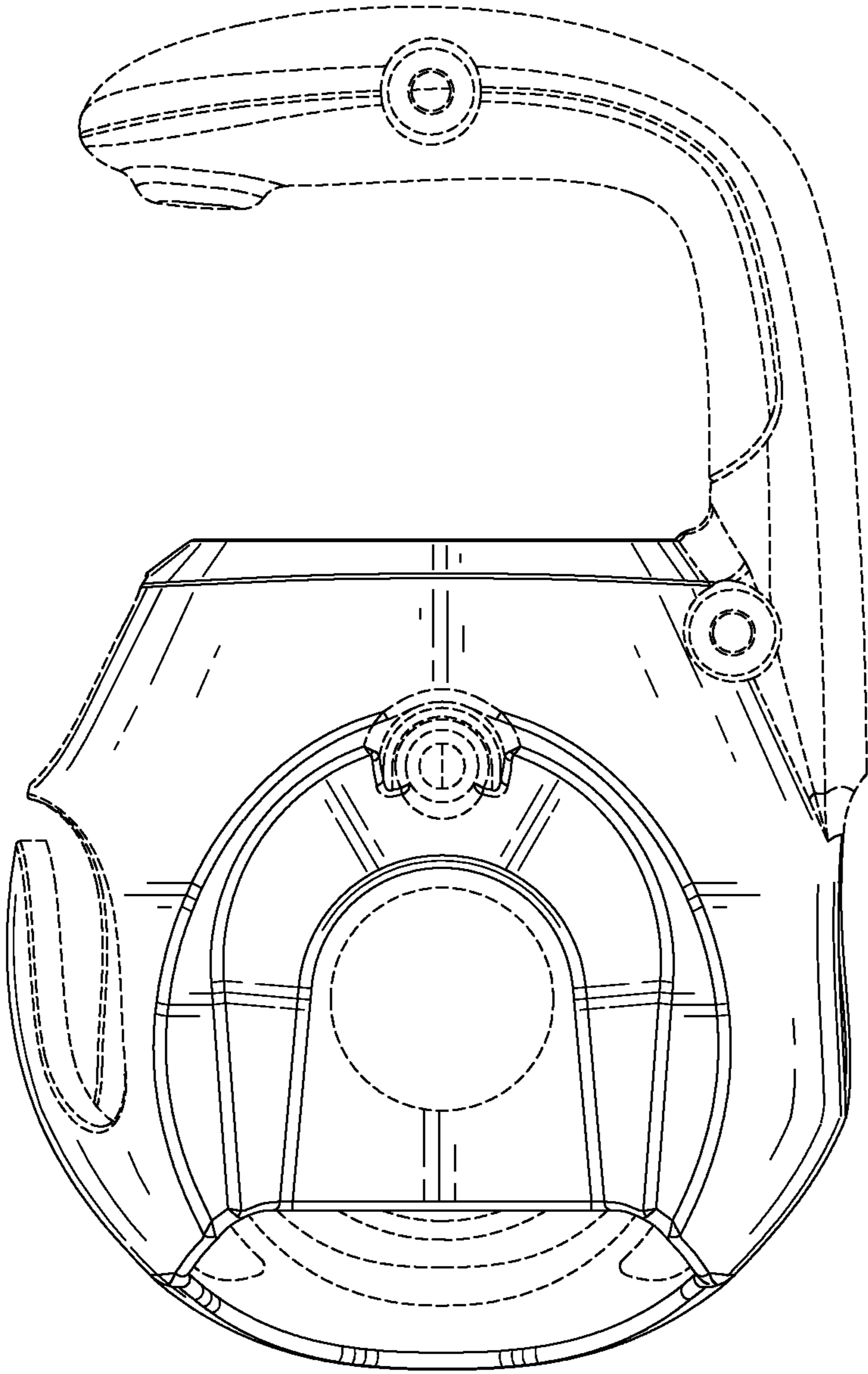


FIG. 8

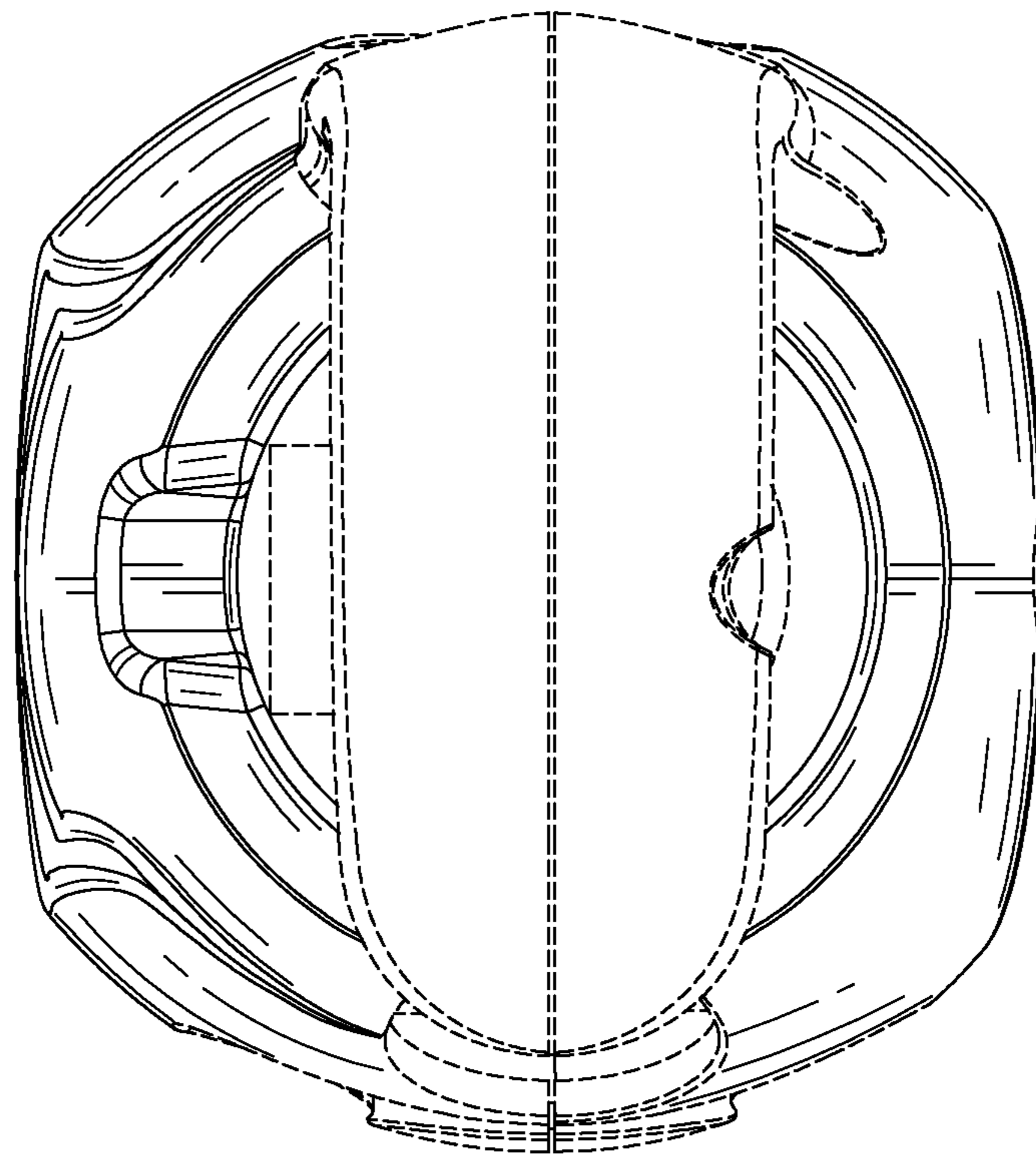


FIG. 9

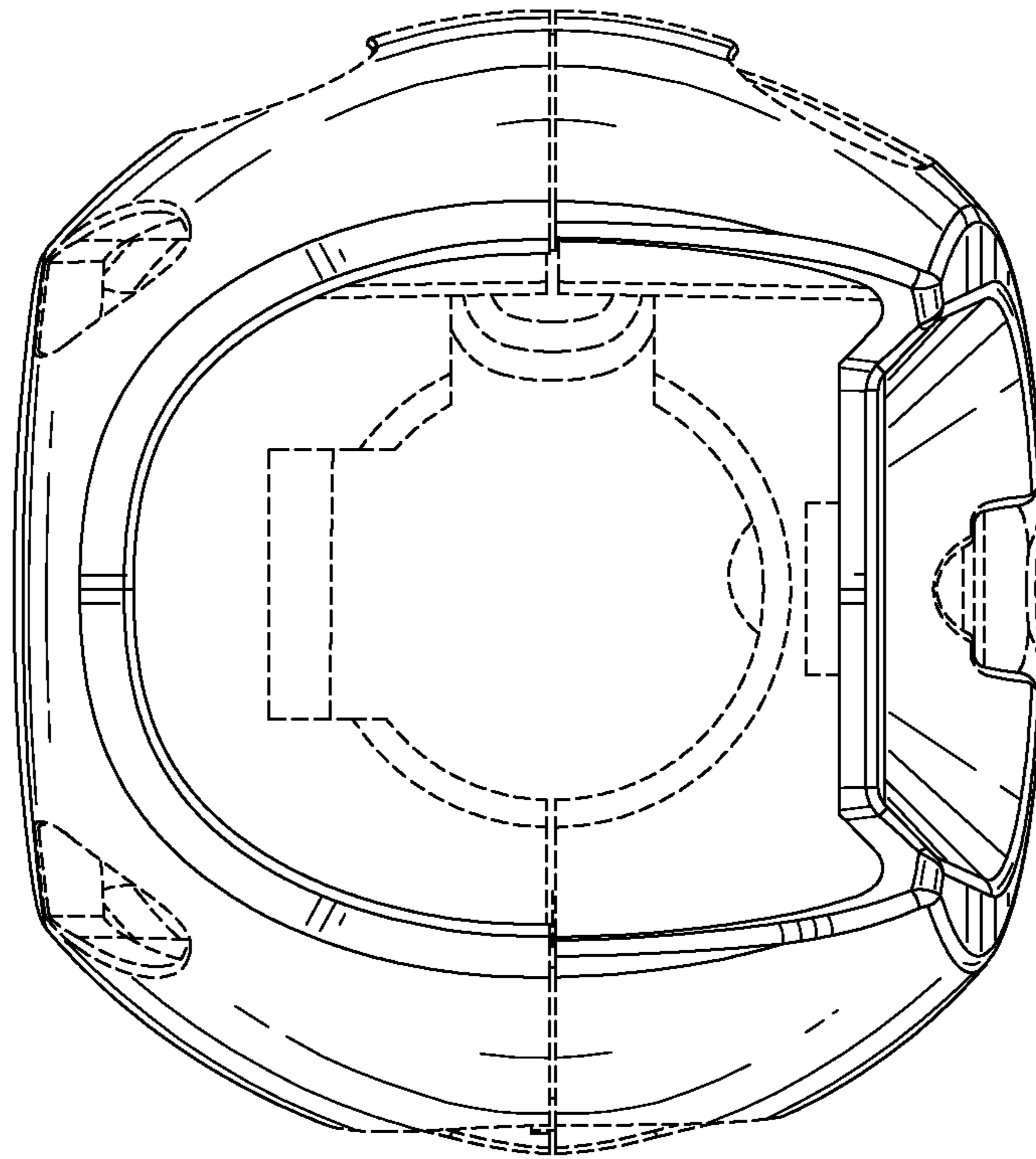


FIG. 10