



US00D735033S

(12) **United States Design Patent**
Lynd et al.

(10) **Patent No.:** **US D735,033 S**
(45) **Date of Patent:** **** Jul. 28, 2015**

(54) **CONTAINER COVER**

(71) Applicant: **Partners In Packaging, LLC**, Granville, OH (US)

(72) Inventors: **L. Grant Lynd**, Granville, OH (US);
Robert Heath, Granville, OH (US)

(73) Assignee: **Partners in Packaging, LLC**, Granville, OH (US)

(**) Term: **14 Years**

(21) Appl. No.: **29/500,487**

(22) Filed: **Aug. 26, 2014**

(51) **LOC (10) Cl.** **09-07**

(52) **U.S. Cl.**
USPC **D9/435**

(58) **Field of Classification Search**
USPC D9/435, 667, 558, 434, 542, 454, 504,
D9/503, 611, 451, 551; D24/211, 200,
D24/214, 190; D7/542, 629, 392; 215/334,
215/388

CPC B65D 41/0492; B65D 77/283
See application file for complete search history.

(56) **References Cited**

U.S. PATENT DOCUMENTS

D42,042	S	*	12/1911	Edlund	D7/542
3,315,830	A	*	4/1967	Flynn	215/334
D209,789	S	*	1/1968	Huston	D9/435
D257,930	S	*	1/1981	Conti	D7/629
D309,568	S	*	7/1990	Beton	D9/667
D309,690	S	*	8/1990	Carlson	D7/629
D312,778	S	*	12/1990	Taconelli	D9/558
5,048,705	A	*	9/1991	Lynd et al.	215/388
D357,322	S	*	4/1995	Matthews	D24/211
D368,222	S	*	3/1996	Hofer	D9/434
D387,993	S	*	12/1997	Workman et al.	D9/542
D405,532	S	*	2/1999	Melendez	D24/200
D424,940	S	*	5/2000	Degnen	D9/454
D438,977	S	*	3/2001	Khalaj	D24/214

D480,633	S	*	10/2003	Miranda	D9/504
D495,599	S	*	9/2004	Biesecker	D9/435
D503,886	S	*	4/2005	Biesecker	D9/435

(Continued)

FOREIGN PATENT DOCUMENTS

CA	114304	*	10/2007
JP	D1463249	*	2/2013
KR	300609073.0001	*	8/2011

OTHER PUBLICATIONS

Red and Oraneg Peppers in a Glass Bottle for Decoration Over White Background Isolated, A Lot of Copyspace Available, Announced Dec. 6, 2010, [Site Visited May 6, 2015] <http://www.shutterstock.com/pic-64388404/stock-photo-red-and-orange-peppers-in-a-glass-bottle-for-decoration-over-white-background-isolated-a-lot-of.html>.*

(Continued)

Primary Examiner — John Windmuller
Assistant Examiner — Luqman McNeil
(74) *Attorney, Agent, or Firm* — Standley Law Group LLP

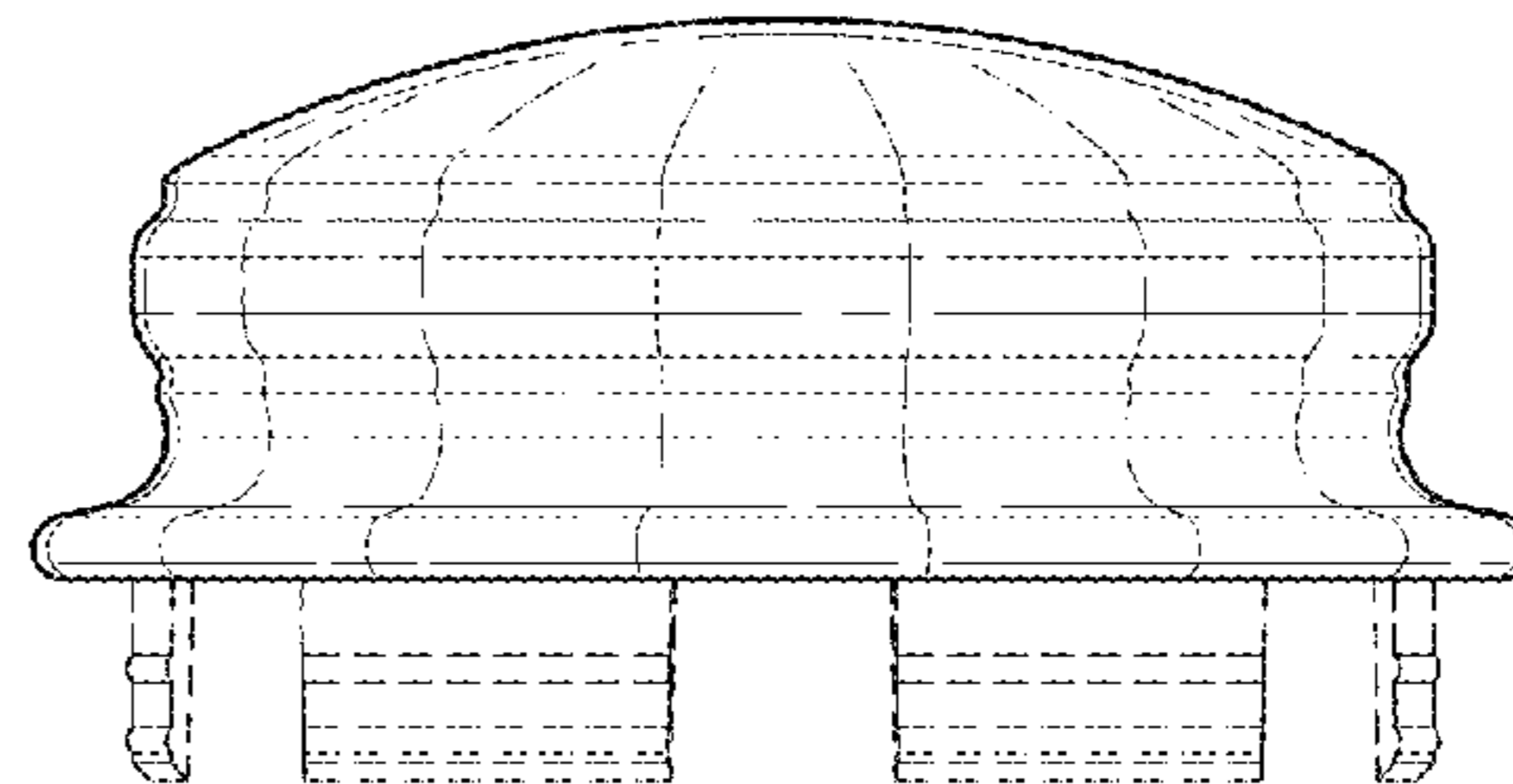
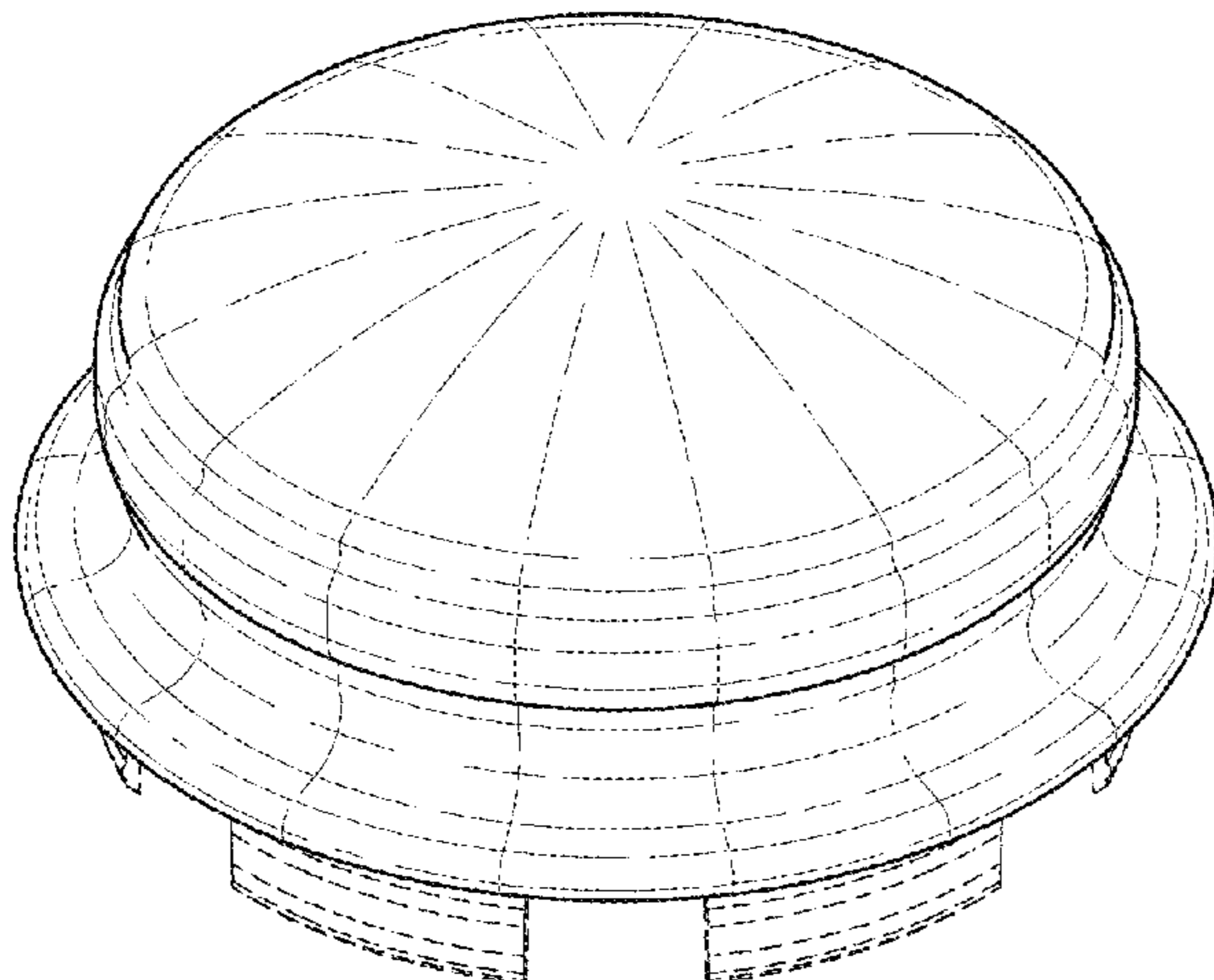
(57) **CLAIM**

The ornamental design for a container cover, as shown and described.

DESCRIPTION

FIG. 1 is a top perspective view of a container cover showing our new design;
FIG. 2 is a bottom perspective view thereof;
FIG. 3 is a top plan view thereof;
FIG. 4 is a left side elevation view thereof;
FIG. 5 is a bottom plan view thereof;
FIG. 6 is a right side elevation view thereof; and,
FIG. 7 is a cross-section view thereof.
The broken line showing is included for the purpose of illustrating portions of the container cover that form no part of the claimed design.

1 Claim, 2 Drawing Sheets



(56)

References Cited

U.S. PATENT DOCUMENTS

D512,310 S * 12/2005 Hite D9/454
D536,614 S * 2/2007 Peterson et al. D9/454
D639,442 S * 6/2011 Chandler D24/190
D641,631 S * 7/2011 Kawahara et al. D9/503
D645,358 S * 9/2011 de Monclin D9/611
D653,948 S * 2/2012 Azar D9/451
D658,935 S * 5/2012 Luppino et al. D7/392
D673,858 S * 1/2013 Horio D9/551

OTHER PUBLICATIONS

Naturally Me Creations: Crafty Recycling: Vitamin Container to Gift
Box, Announced Dec. 19, 2011, [Site Visited May 6, 2015] <http://naturallymcreations.blogspot.com/2011/12/crafty-recycling-vitamin-container-to.html>.*

* cited by examiner

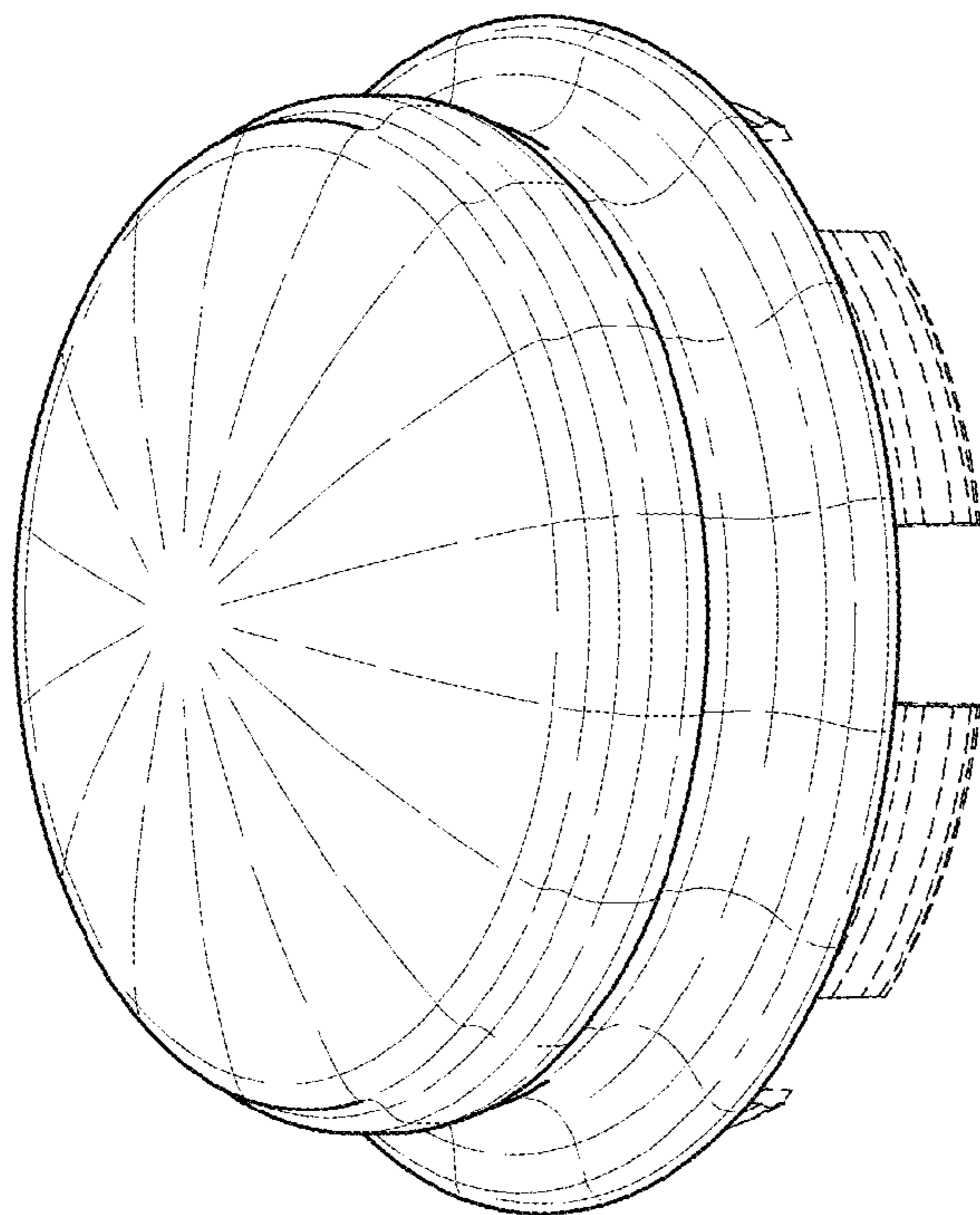


FIG-1

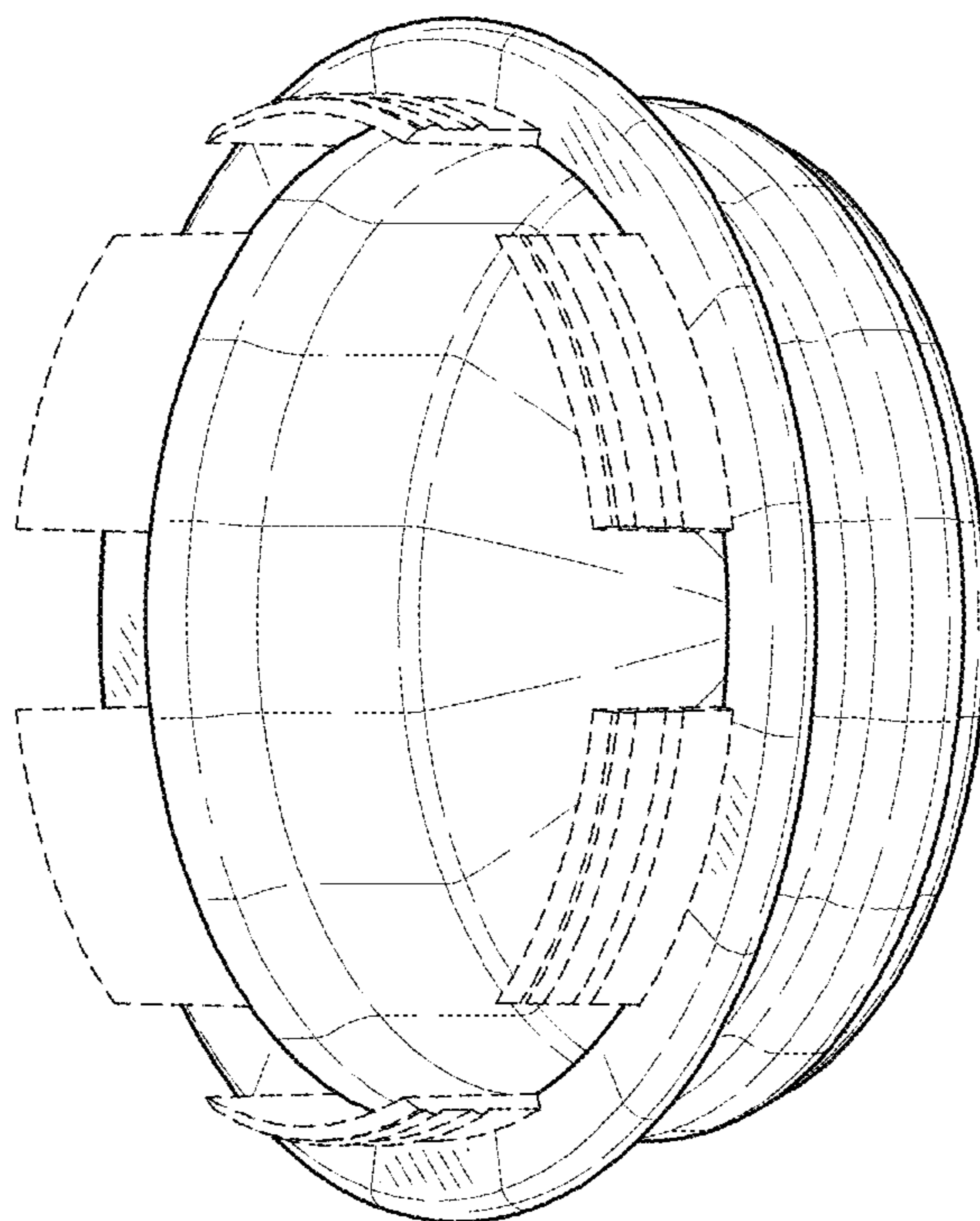


FIG-2

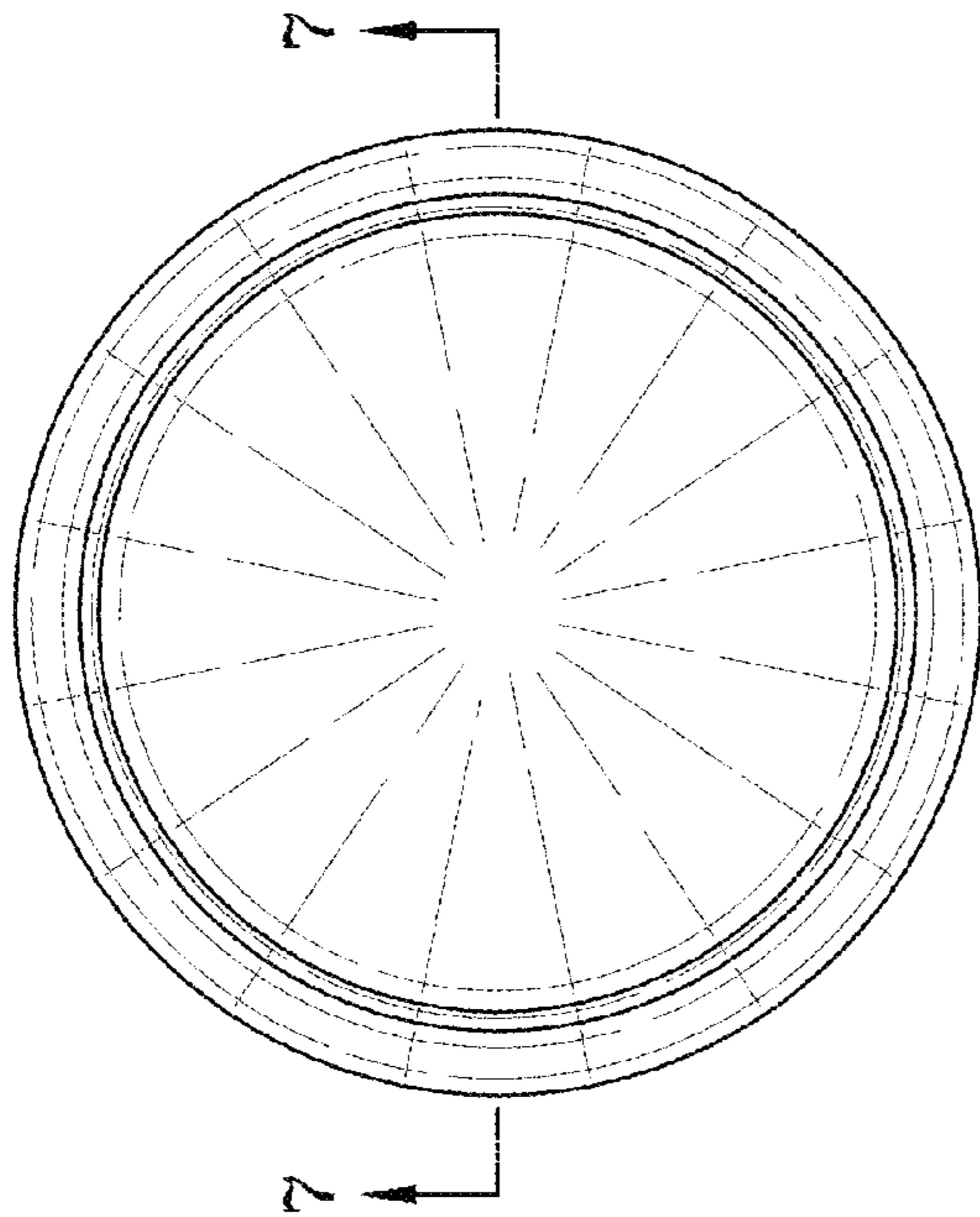


FIG-3

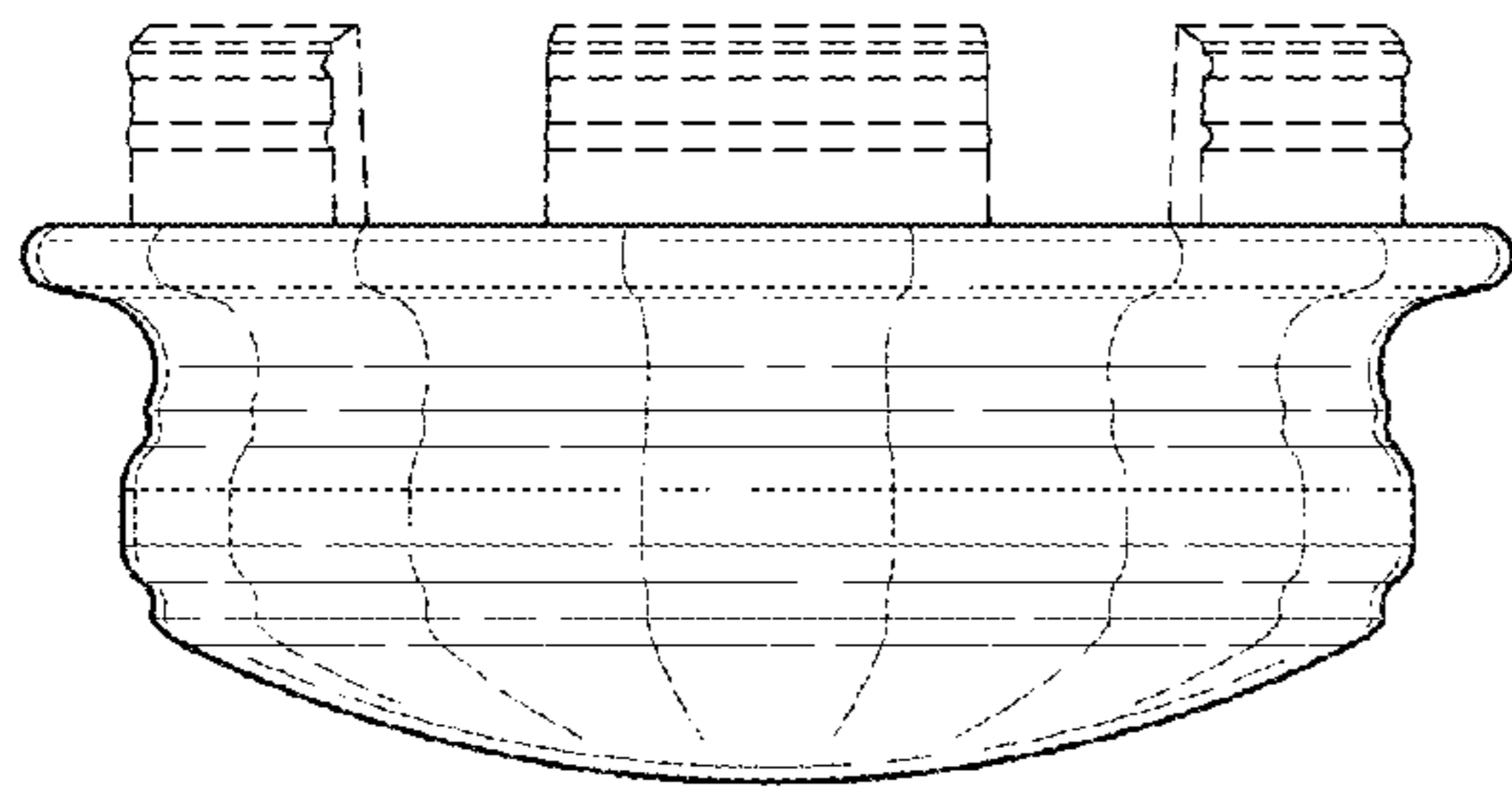


FIG-4

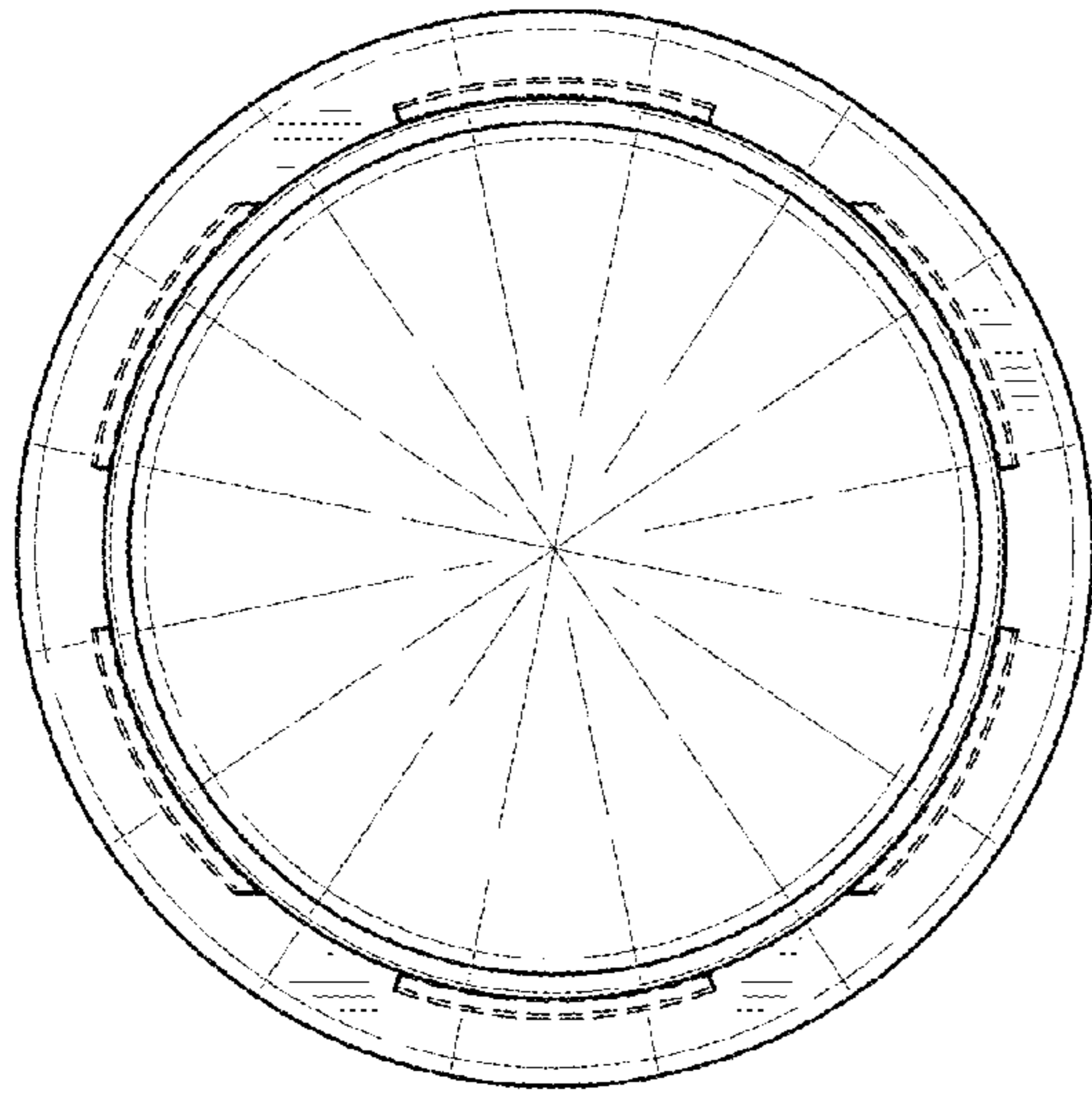


FIG-5

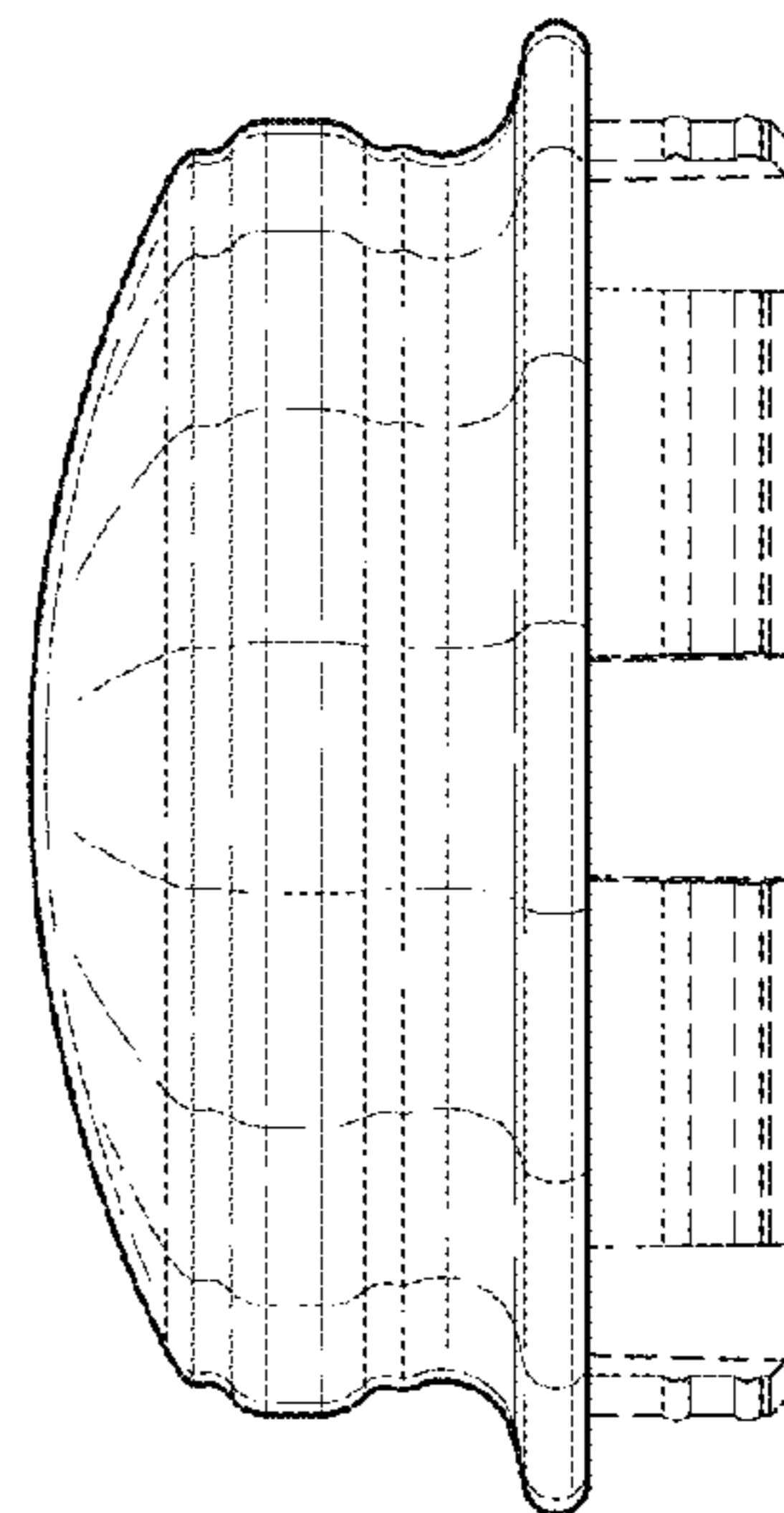


FIG-6

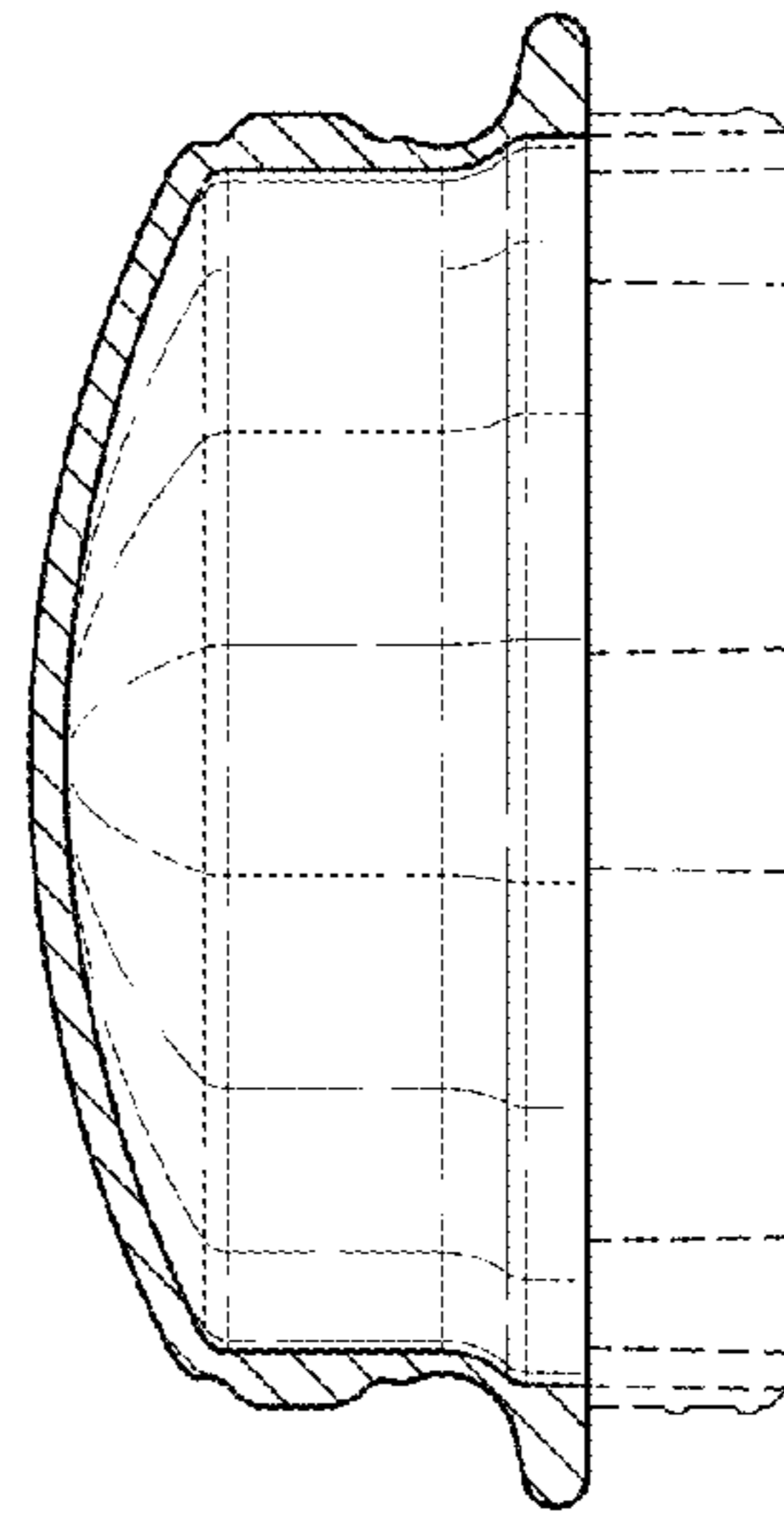


FIG-7