



US00D735028S

(12) **United States Design Patent**
Baillies

(10) **Patent No.:** **US D735,028 S**

(45) **Date of Patent:** **** Jul. 28, 2015**

(54) **CLAMSHELL CONTAINER**

(71) Applicant: **Hypertherm, Inc.**, Hanover, NH (US)

(72) Inventor: **Jeffrey S. Baillies**, Oregon, WI (US)

(73) Assignee: **Hypertherm, Inc.**, Hanover, NH (US)

(**) Term: **14 Years**

(21) Appl. No.: **29/473,537**

(22) Filed: **Nov. 22, 2013**

(51) **LOC (10) Cl.** **09-03**

(52) **U.S. Cl.**

USPC **D9/425**

(58) **Field of Classification Search**

USPC D9/414, 415, 416, 417, 419, 421, 424,
D9/425, 428, 429; D7/318, 319, 619.1,
D7/629; 229/400-406, 906.1;
220/656-659, 669-675, 912,
220/4.21-4.27; 206/553, 557, 541, 775,
206/776, 217

CPC A47J 36/06; A47J 47/14; B65D 1/165;
B65D 15/08; B65D 21/083; B65D 21/0234;
B65D 43/162; B65D 71/50; B65D 77/24;
B65D 81/3869; B65D 2543/00046; B65D
2543/00055; B65D 2543/00083; B65D
2543/00092; B65D 2543/00296

See application file for complete search history.

(56) **References Cited**

U.S. PATENT DOCUMENTS

D277,037	S	*	1/1985	Nadel	D28/83
D288,234	S	*	2/1987	Blatherwick et al.	D24/230
D304,422	S	*	11/1989	Holewinski	D9/737
D304,547	S	*	11/1989	Holewinski	D9/737
D352,892	S	*	11/1994	Luzzi et al.	D9/715
D380,380	S	*	7/1997	Quinton	D9/737
D456,249	S	*	4/2002	Pearson et al.	D9/415
D548,620	S	*	8/2007	Ferguson et al.	D9/732
D584,108	S	*	1/2009	Olsson	D7/553.1
D606,885	S	*	12/2009	Olsson	D9/761
D648,636	S	*	11/2011	Golota et al.	D9/737
2009/0186132	A1	*	7/2009	Mangino et al.	426/120
2013/0081361	A1	*	4/2013	Miros et al.	53/420

* cited by examiner

Primary Examiner — Karen S Acker

Assistant Examiner — Wendy Arminio

(74) *Attorney, Agent, or Firm* — Proskauer Rose LLP

(57) **CLAIM**

The ornamental design for a clamshell container, as shown and described.

DESCRIPTION

FIG. 1 is a perspective view of a clamshell container according to my new design.

FIG. 2 is a rear view thereof.

FIG. 3 is a front view thereof.

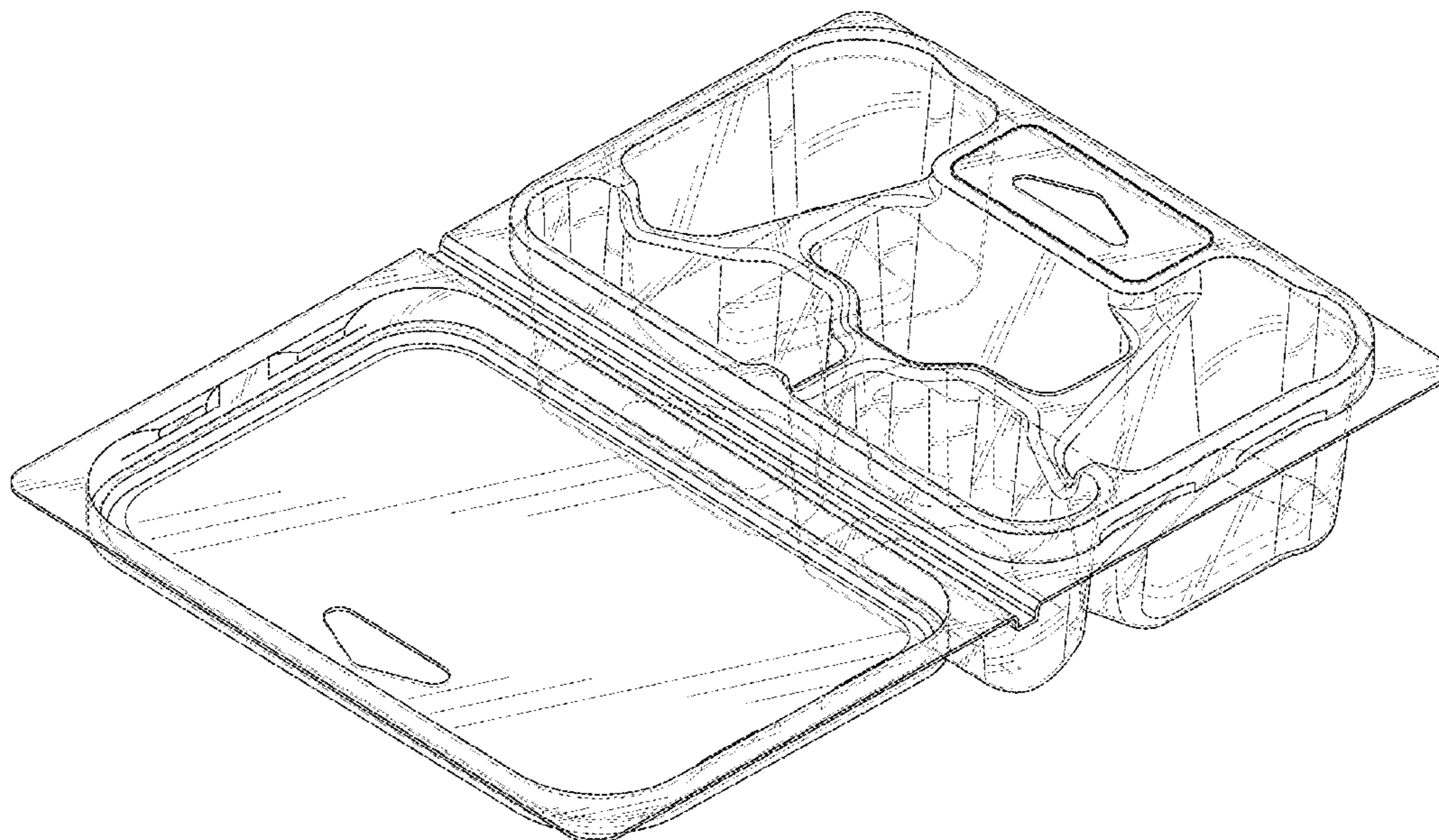
FIG. 4 is a right side view thereof.

FIG. 5 is a left side view thereof.

FIG. 6 is a top view thereof; and,

FIG. 7 is a bottom view thereof.

1 Claim, 5 Drawing Sheets



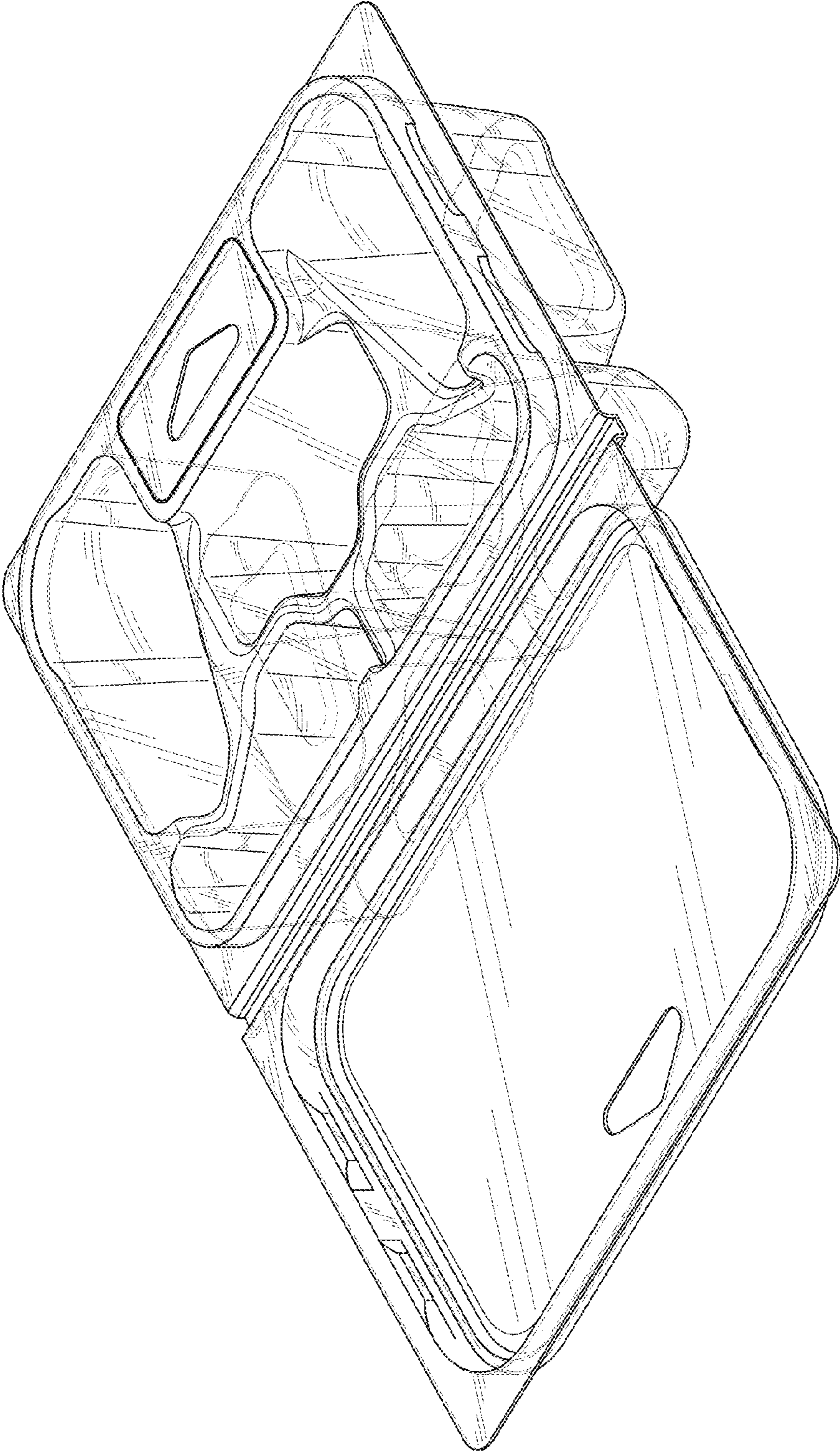


FIG. 1

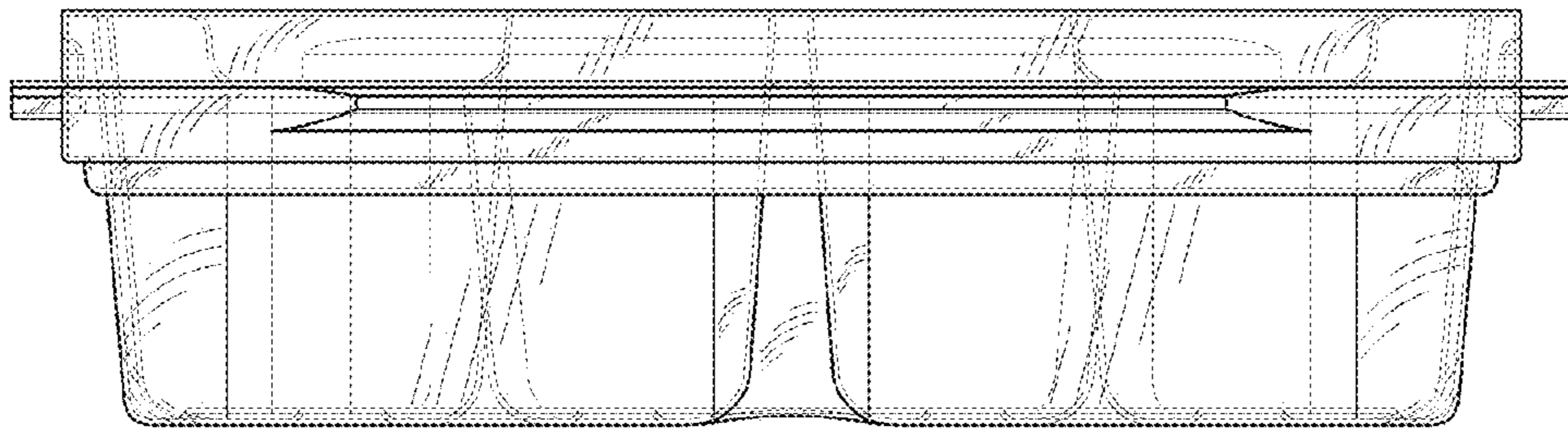


FIG. 2

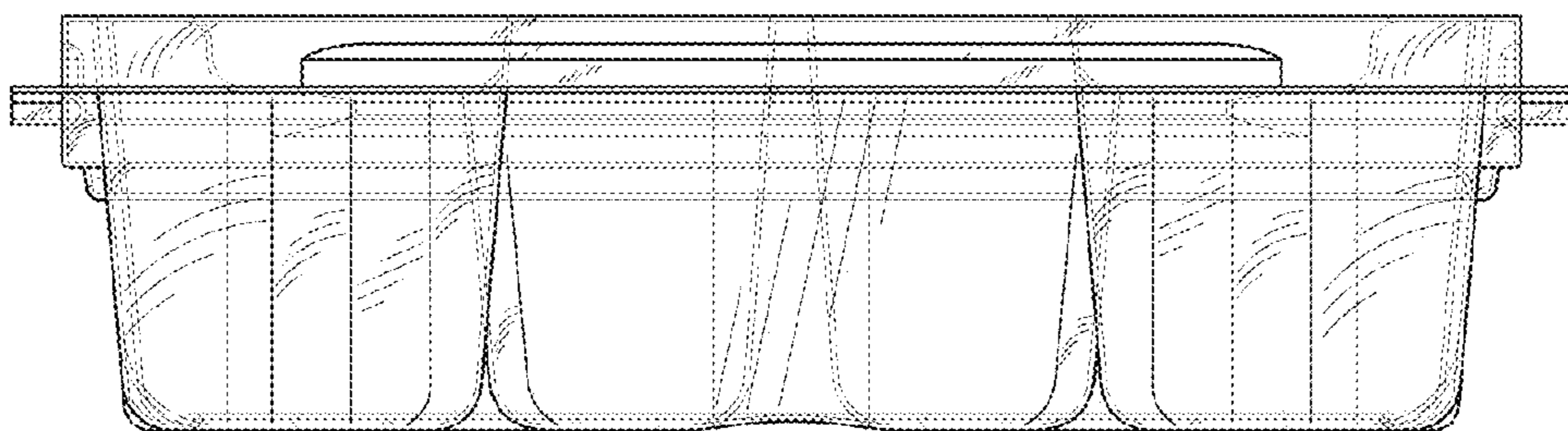


FIG. 3

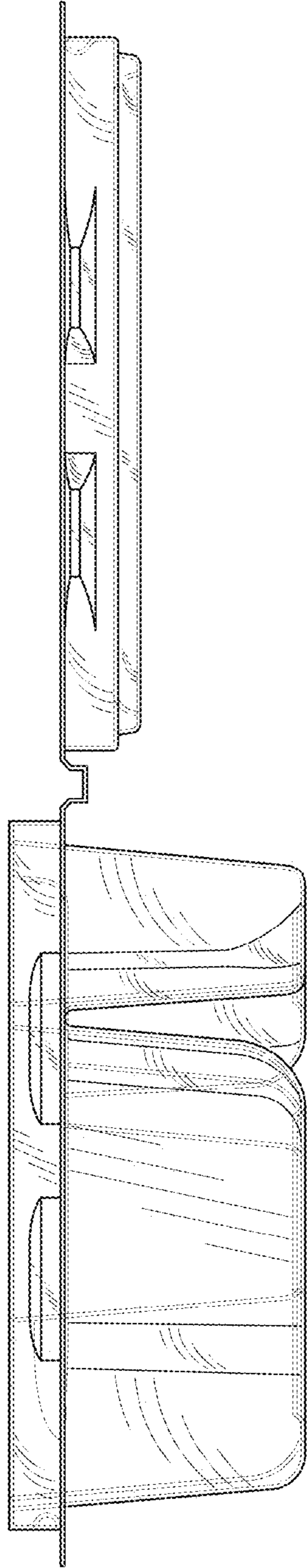


FIG. 4

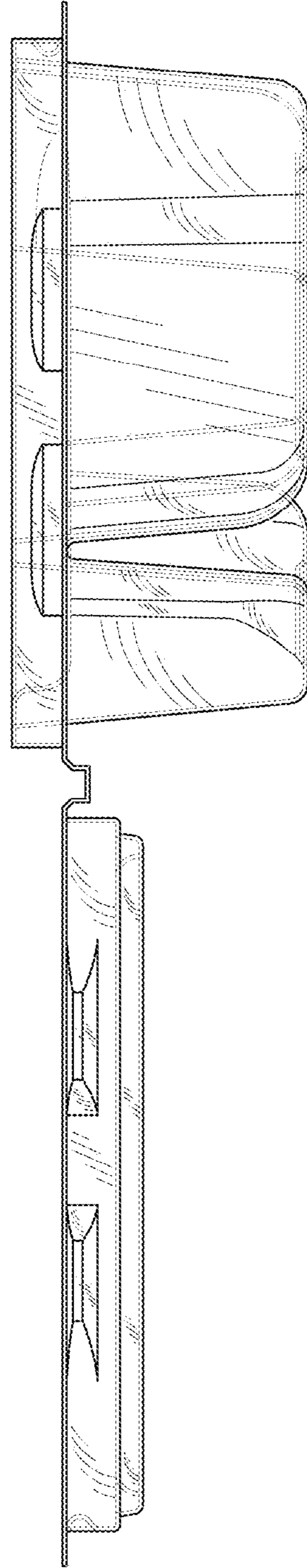


FIG. 5

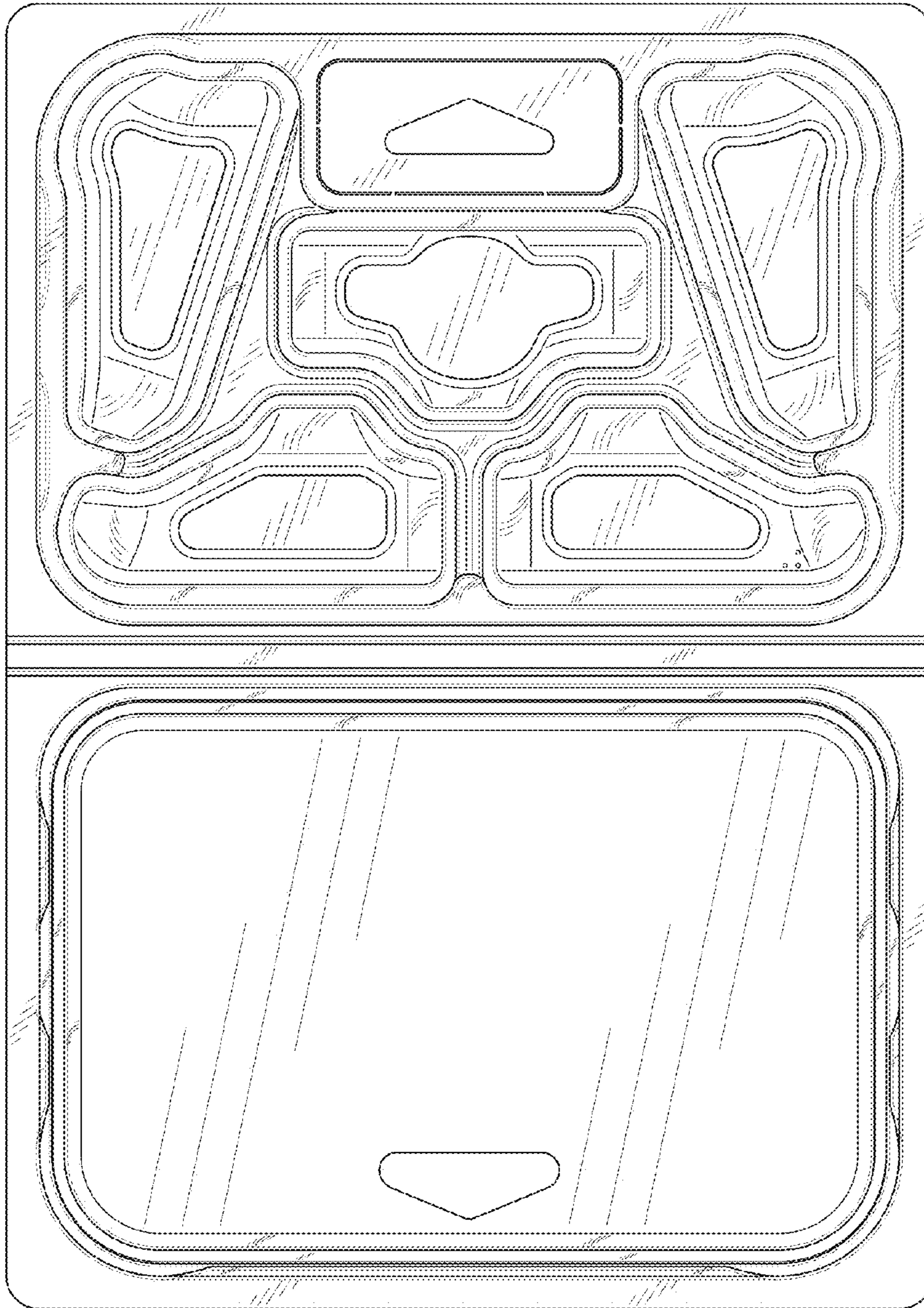


FIG. 6

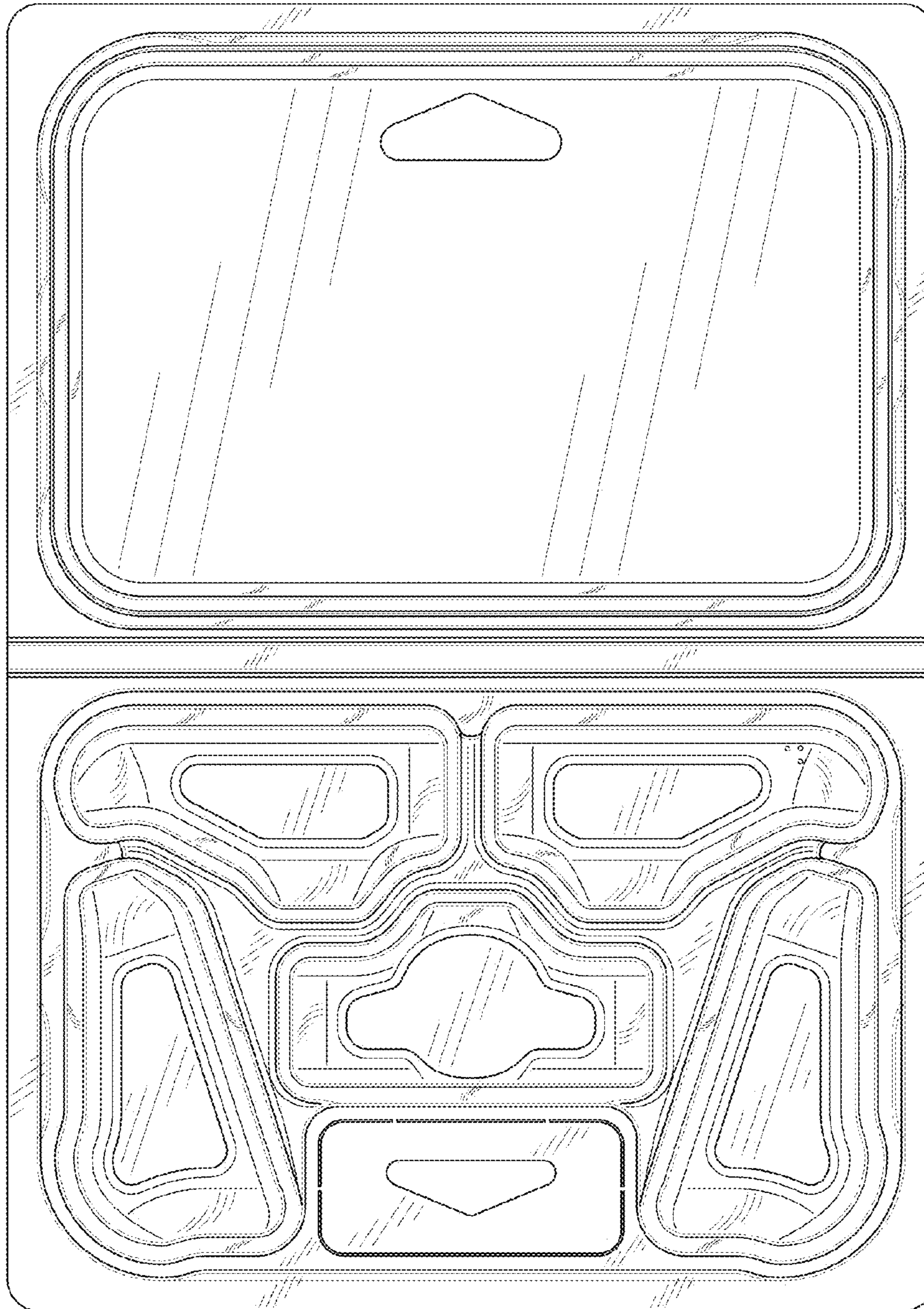


FIG. 7