



US00D735026S

(12) **United States Design Patent**
Evans et al.

(10) **Patent No.:** **US D735,026 S**
(45) **Date of Patent:** **** Jul. 28, 2015**

(54) **DISPENSER**

(71) Applicant: **Reckitt Benckiser LLC**, Parsippany, NJ (US)

(72) Inventors: **Christopher Michael Evans**, Hoboken, NJ (US); **Christopher Frestle**, Montvale, NJ (US); **Jos Harrison**, Slough (GB); **Krzysztof Paziewski**, Montvale, NJ (US); **Theodoor Jacobus Robert Schuur**, Delft (NL); **Geoff Woo**, Montvale, NJ (US)

(73) Assignee: **Reckitt Benckiser LLC**, Parsippany, NJ (US)

(**) Term: **14 Years**

(21) Appl. No.: **29/502,343**

(22) Filed: **Sep. 15, 2014**

Related U.S. Application Data

(62) Division of application No. 29/467,649, filed on Sep. 20, 2013.

(30) **Foreign Application Priority Data**

Apr. 12, 2013 (EM) 002219253-0001
Apr. 12, 2013 (EM) 002219253-0002
Apr. 12, 2013 (EM) 002219253-0003

(51) **LOC (10) Cl.** **09-03**

(52) **U.S. Cl.**
USPC **D9/414**

(58) **Field of Classification Search**
USPC D9/414, 415, 419, 416, 418, 428, 431, D9/457, 455, 503, 421, 417; D23/208, D23/366, 368; 4/231, 223, 225.1, 227.1, 4/227.4; 206/222, 229, 216; 220/554, 220/890

See application file for complete search history.

(56) **References Cited**

U.S. PATENT DOCUMENTS

D482,609	S	*	11/2003	Weinstock	D9/414
D502,530	S	*	3/2005	Neiman et al.	D23/208
D523,743	S	*	6/2006	Solowiejko et al.	D9/417
D556,854	S	*	12/2007	Cheung et al.	D23/208
D564,620	S	*	3/2008	Burt et al.	D23/208
D588,688	S	*	3/2009	Lablaine	D23/368
D594,953	S	*	6/2009	King et al.	D23/366
D607,537	S	*	1/2010	Enever et al.	D23/208
D645,734	S	*	9/2011	Eason et al.	D9/421
D698,004	S	*	1/2014	Bruining et al.	D23/208
D698,414	S	*	1/2014	Bruining et al.	D23/208
2002/0083514	A1	*	7/2002	Lhoste	4/231
2002/0083515	A1		7/2002	Bart		

* cited by examiner

Primary Examiner — Holly Baynham

Assistant Examiner — Rhea Shields

(74) *Attorney, Agent, or Firm* — Norris McLaughlin & Marcus PA

(57) **CLAIM**

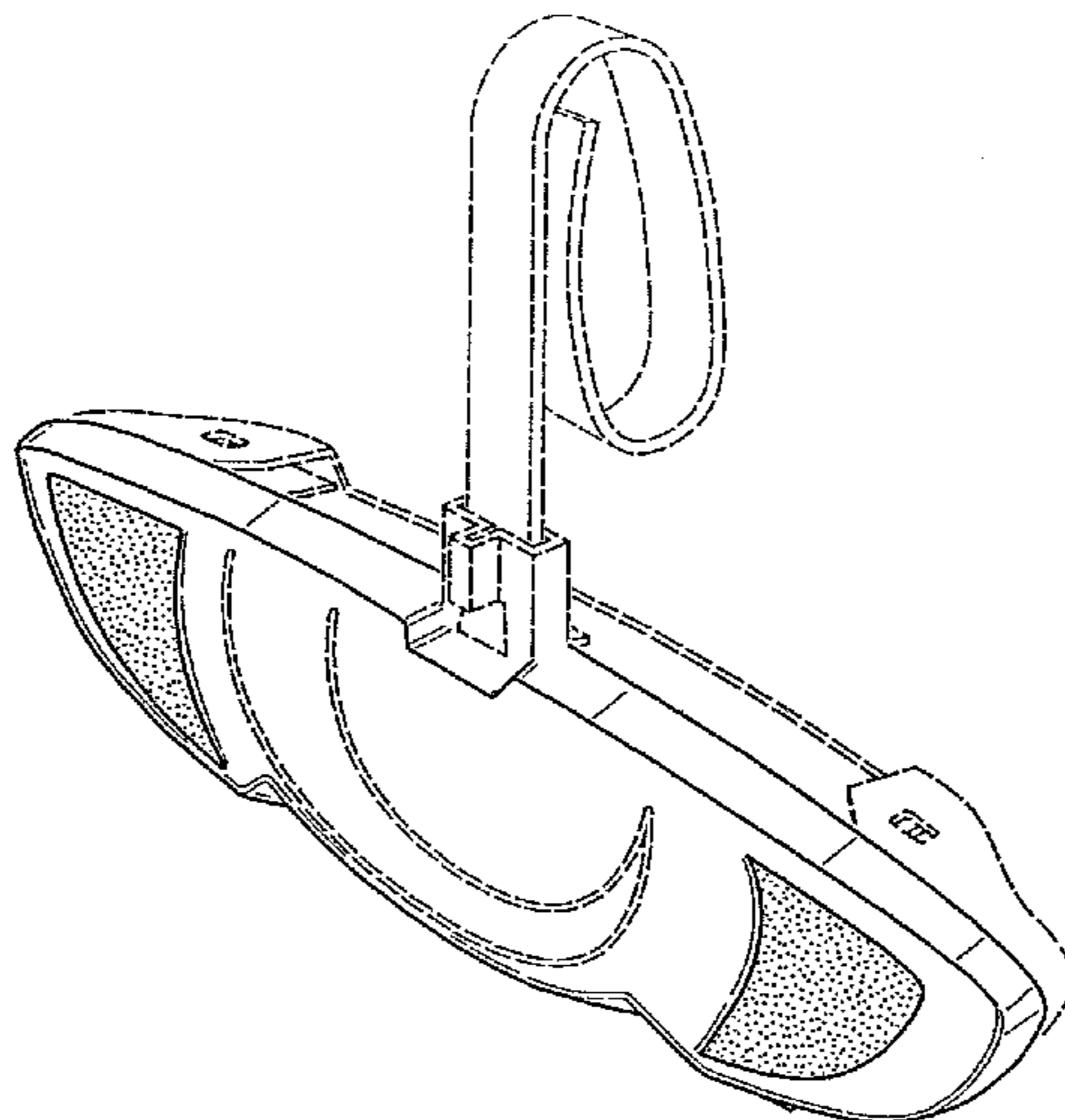
The ornamental design for a dispenser, as shown and described.

DESCRIPTION

FIG. 1 is a front and side perspective view of our dispenser; FIG. 2 is a front elevational view thereof; FIG. 3 is a rear elevational view thereof; FIG. 4 is a right side elevational view thereof; FIG. 5 is a left side elevational view thereof; FIG. 6 is a top plan view thereof; and, FIG. 7 is a bottom plan view thereof.

In the drawings, the stippling shown in FIGS. 1, 2, 4, 5, and 7 indicates a contrast in appearance. The broken lines depict unclaimed subject matter only and form no part of the claimed design.

1 Claim, 5 Drawing Sheets



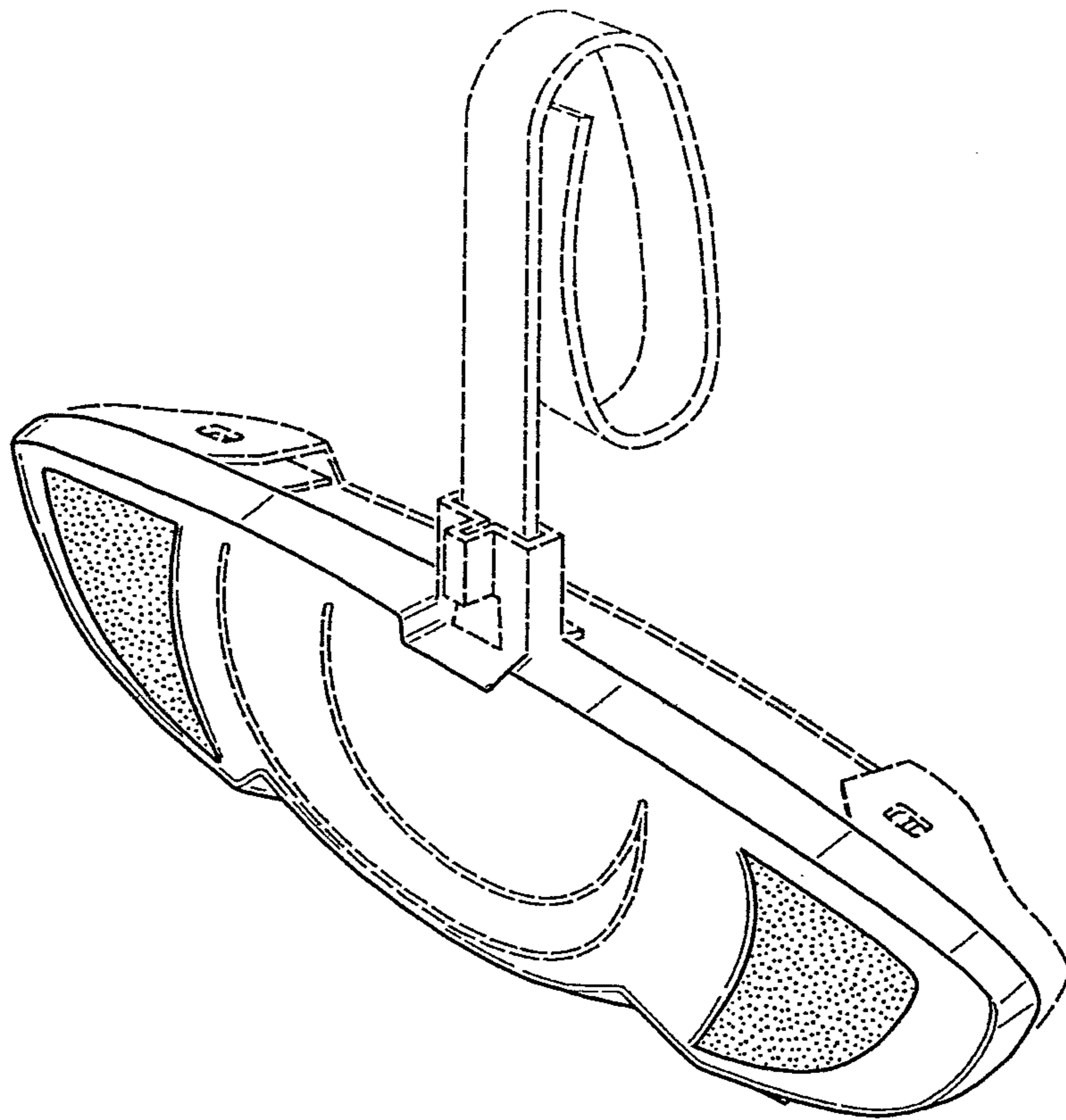


Fig. 1

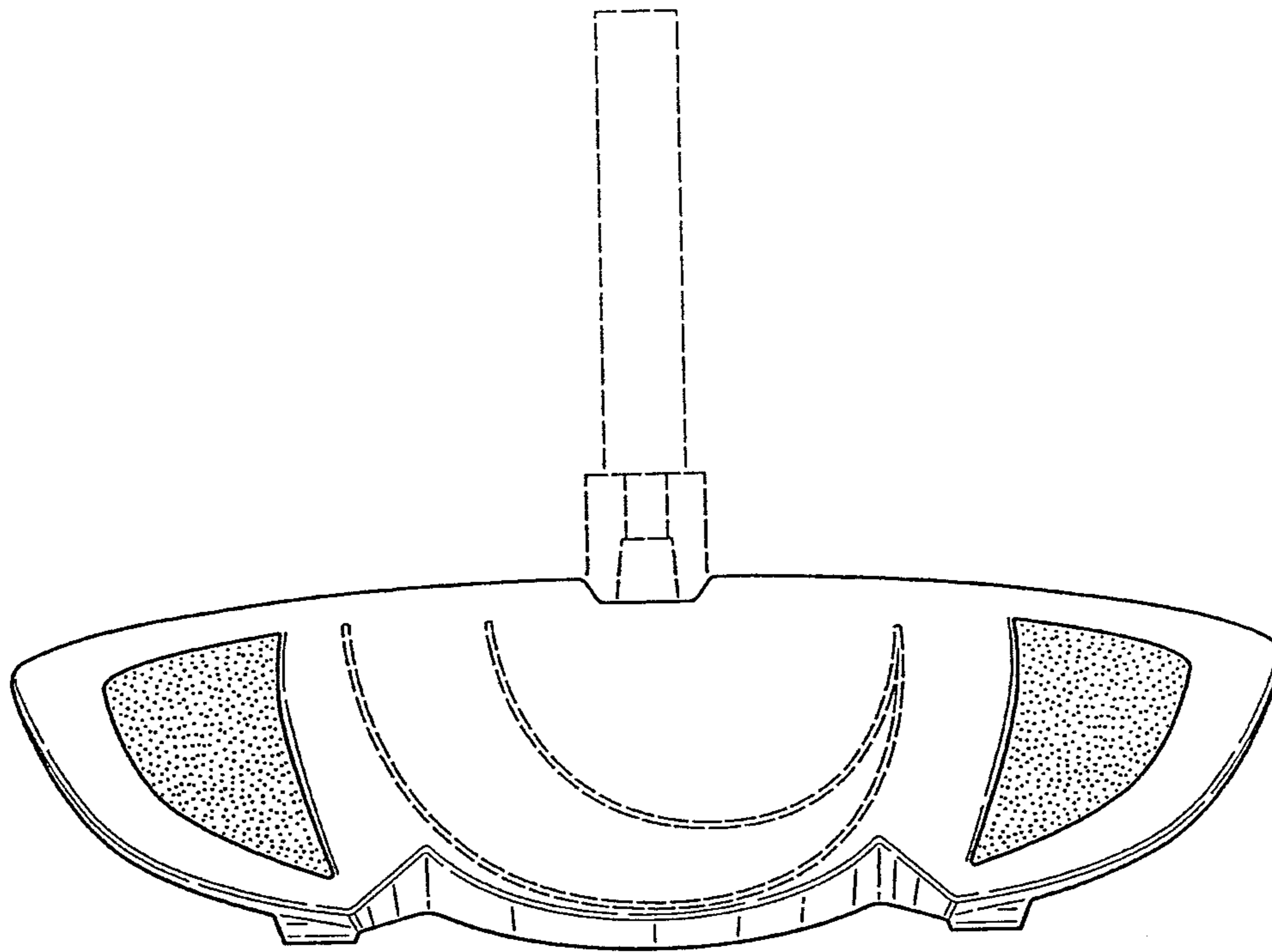


Fig. 2

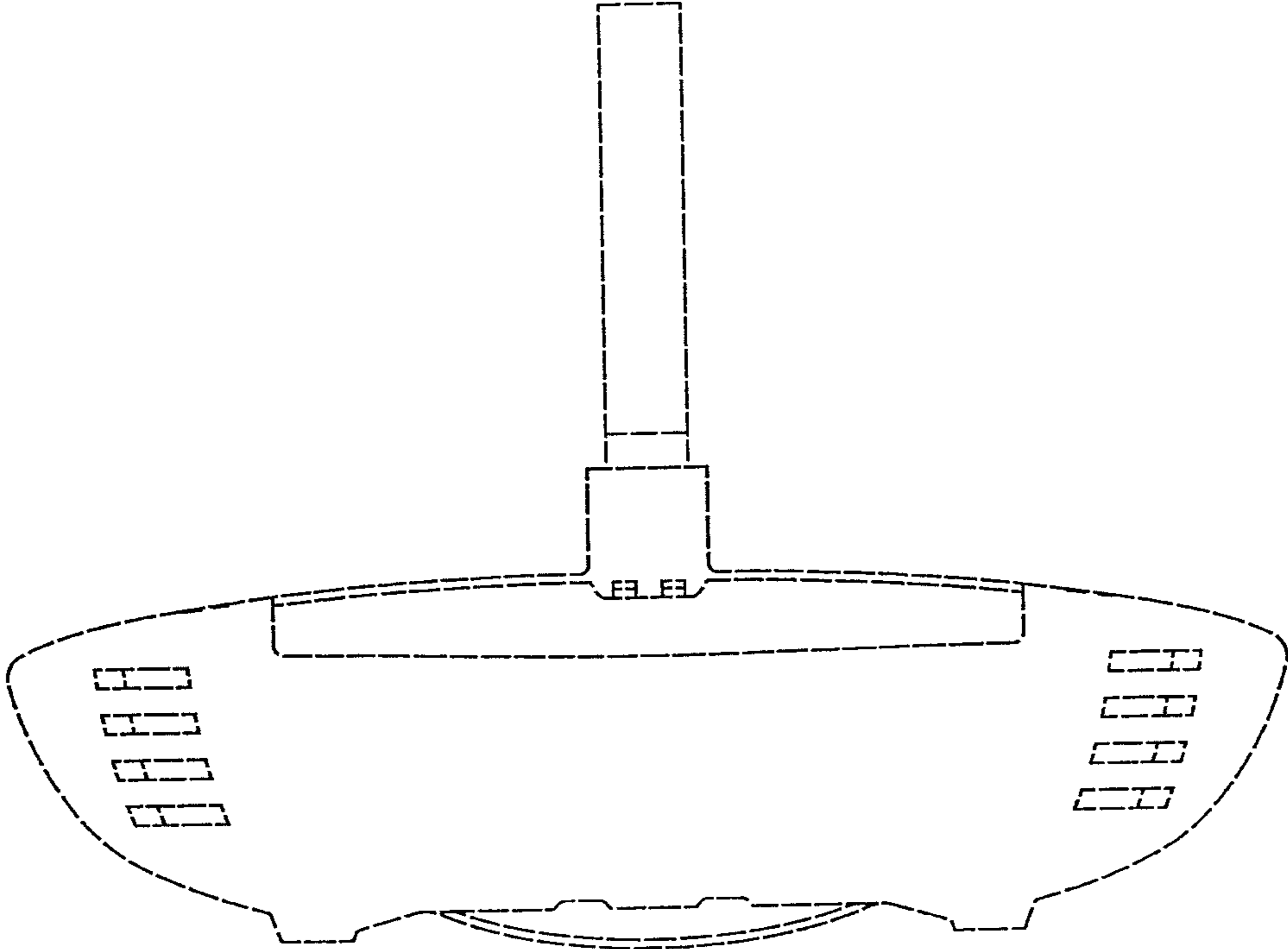


Fig. 3

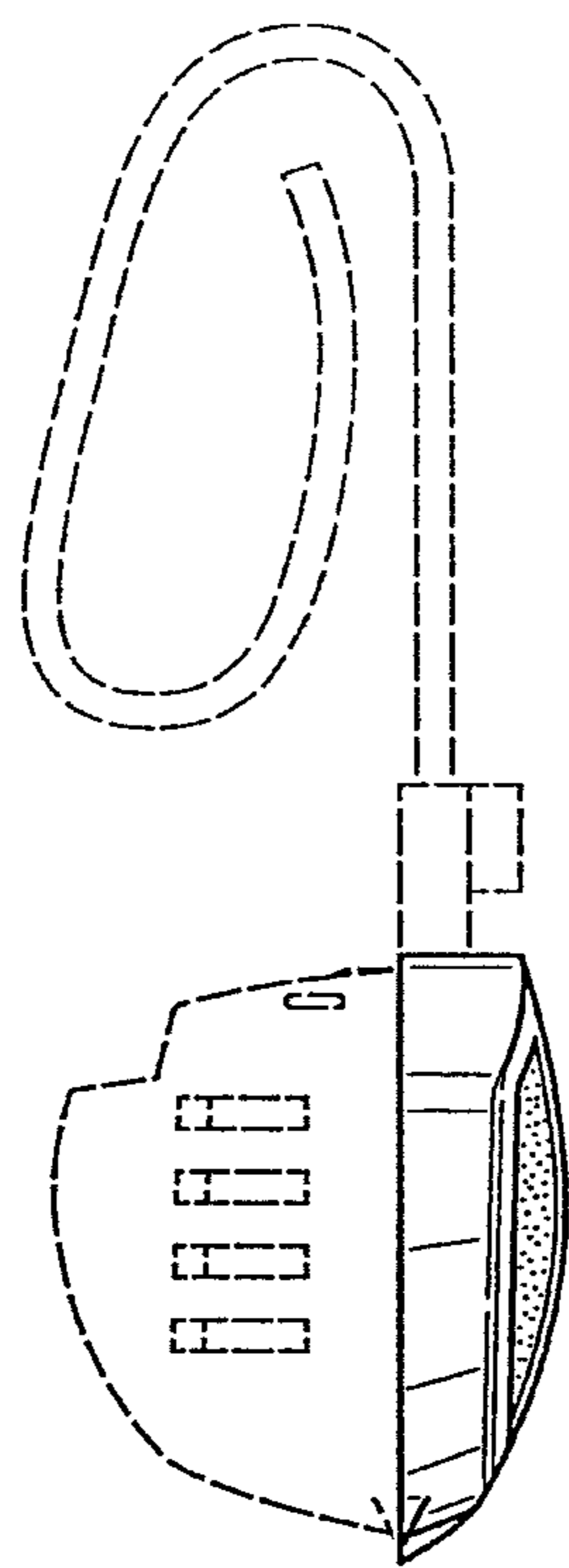


Fig. 4

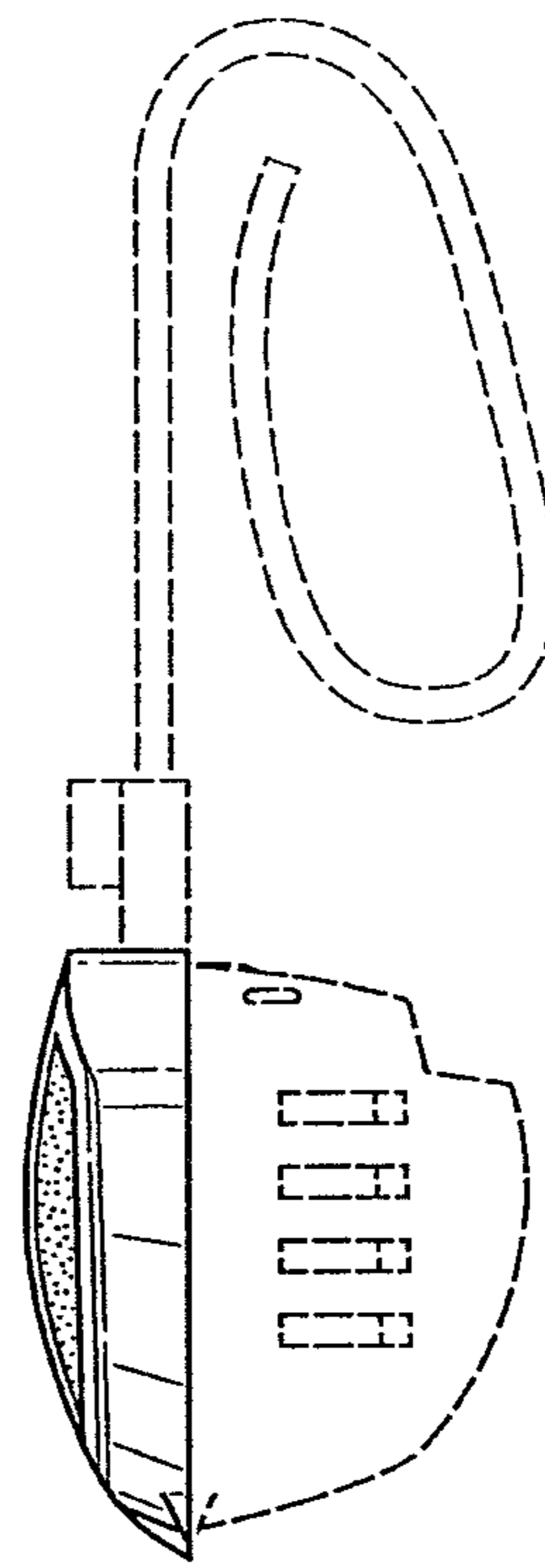


Fig. 5

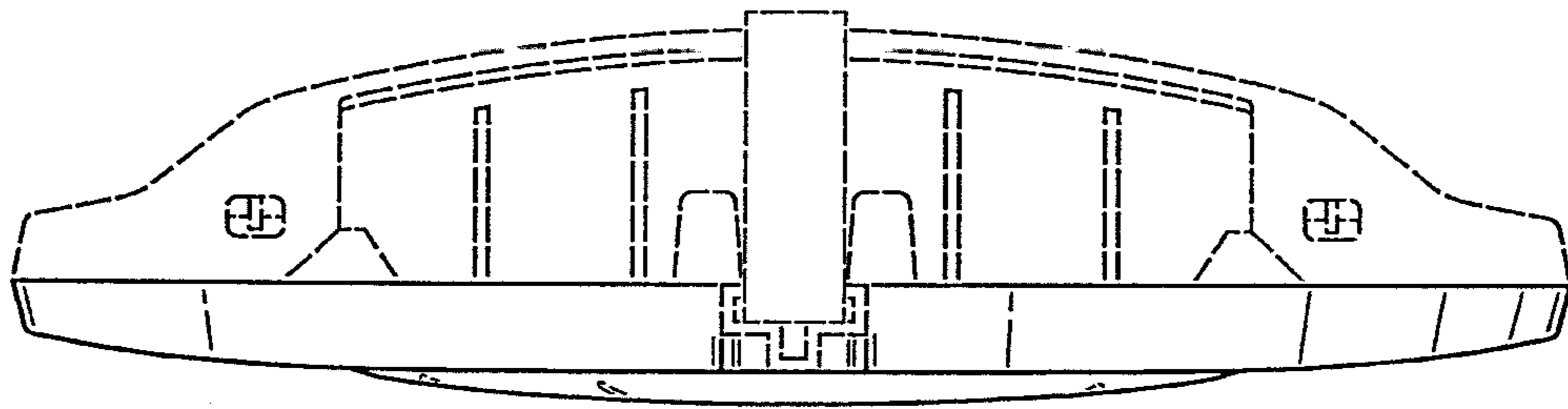


Fig. 6

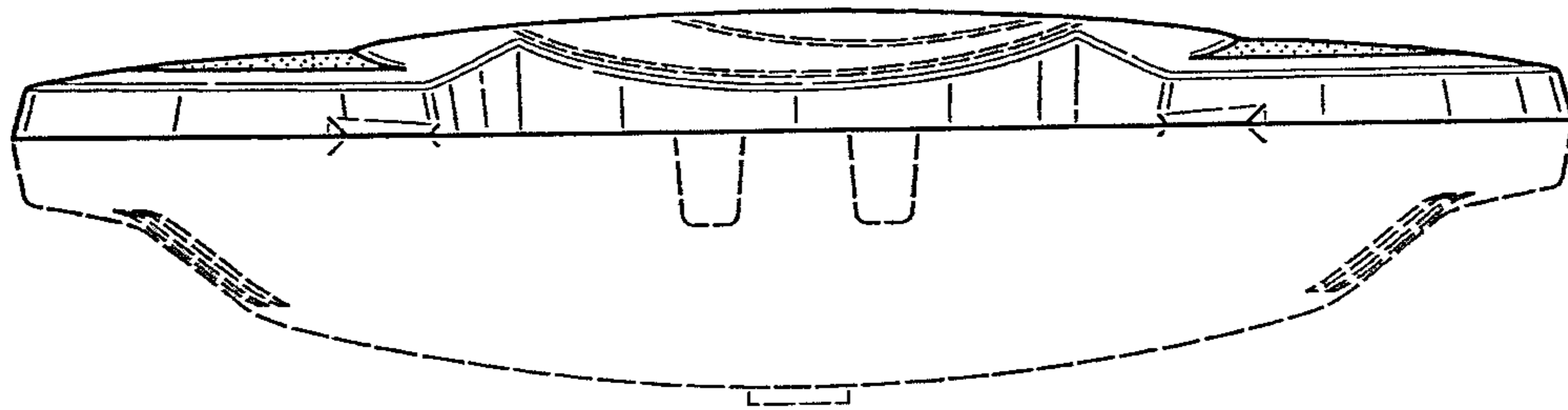


Fig. 7