



US00D735025S

(12) **United States Design Patent**
Mathien

(10) **Patent No.:** **US D735,025 S**
(45) **Date of Patent:** **** Jul. 28, 2015**

- (54) **HYGIENIC CLAMP**
- (71) Applicant: **Behringer Corporation**, Branchville, NJ (US)
- (72) Inventor: **Daniel J. Mathien**, Amherst, NY (US)
- (73) Assignee: **Behringer Corporation**, Branchville, NJ (US)
- (**) Term: **14 Years**
- (21) Appl. No.: **29/480,618**
- (22) Filed: **Jan. 28, 2014**
- (51) **LOC (10) Cl.** **08-08**
- (52) **U.S. Cl.**
USPC **D8/396**
- (58) **Field of Classification Search**
USPC D8/354, 355, 394-396; D23/262, 265; D13/133, 154; 24/16 R, 274 R, 279, 24/276, 19, 273, 282; 285/253, 410, 364, 285/407, 420; 248/74.1-74.4, 62
CPC F16L 3/233; F16L 33/04; F16L 33/06; F16L 33/08; F16L 33/02; F16L 33/12; F16L 33/23; F16L 3/12; F16L 3/13; F16L 3/10
See application file for complete search history.

3,486,726	A *	12/1969	Kindorf et al.	248/72
3,522,921	A *	8/1970	Lytle	248/62
3,527,432	A *	9/1970	Lytle	248/62
3,547,385	A *	12/1970	Kindorf et al.	248/62
3,705,737	A *	12/1972	Westerlund et al.	285/365
3,851,902	A *	12/1974	Robinson	285/334.2
4,044,428	A *	8/1977	Kowalski	24/16 R
4,123,095	A *	10/1978	Stehlin	285/409
4,157,800	A *	6/1979	Senter et al.	248/72
4,185,802	A *	1/1980	Myles et al.	248/74.4
4,516,296	A *	5/1985	Sherman	24/279
4,739,542	A *	4/1988	Krzesicki	24/285
4,915,418	A *	4/1990	Palatchy	285/24
4,919,453	A *	4/1990	Halling et al.	285/3
D376,974	S *	12/1996	Chen	D8/396
5,855,342	A *	1/1999	Hawkins et al.	248/68.1
5,984,243	A *	11/1999	Pfaller et al.	248/74.1
6,533,333	B1 *	3/2003	Radzik	285/367
6,672,631	B1 *	1/2004	Weinhold	285/409
D536,607	S *	2/2007	Bekkevold	D8/396
D538,148	S *	3/2007	Dinh et al.	D8/396
D553,971	S *	10/2007	Krueger	D8/396

(Continued)

Primary Examiner — John Windmuller

Assistant Examiner — Steven Czyz

(74) *Attorney, Agent, or Firm* — Edward S. Wright

(57) **CLAIM**

The ornamental design for a hygienic clamp, as shown.

(56) **References Cited**

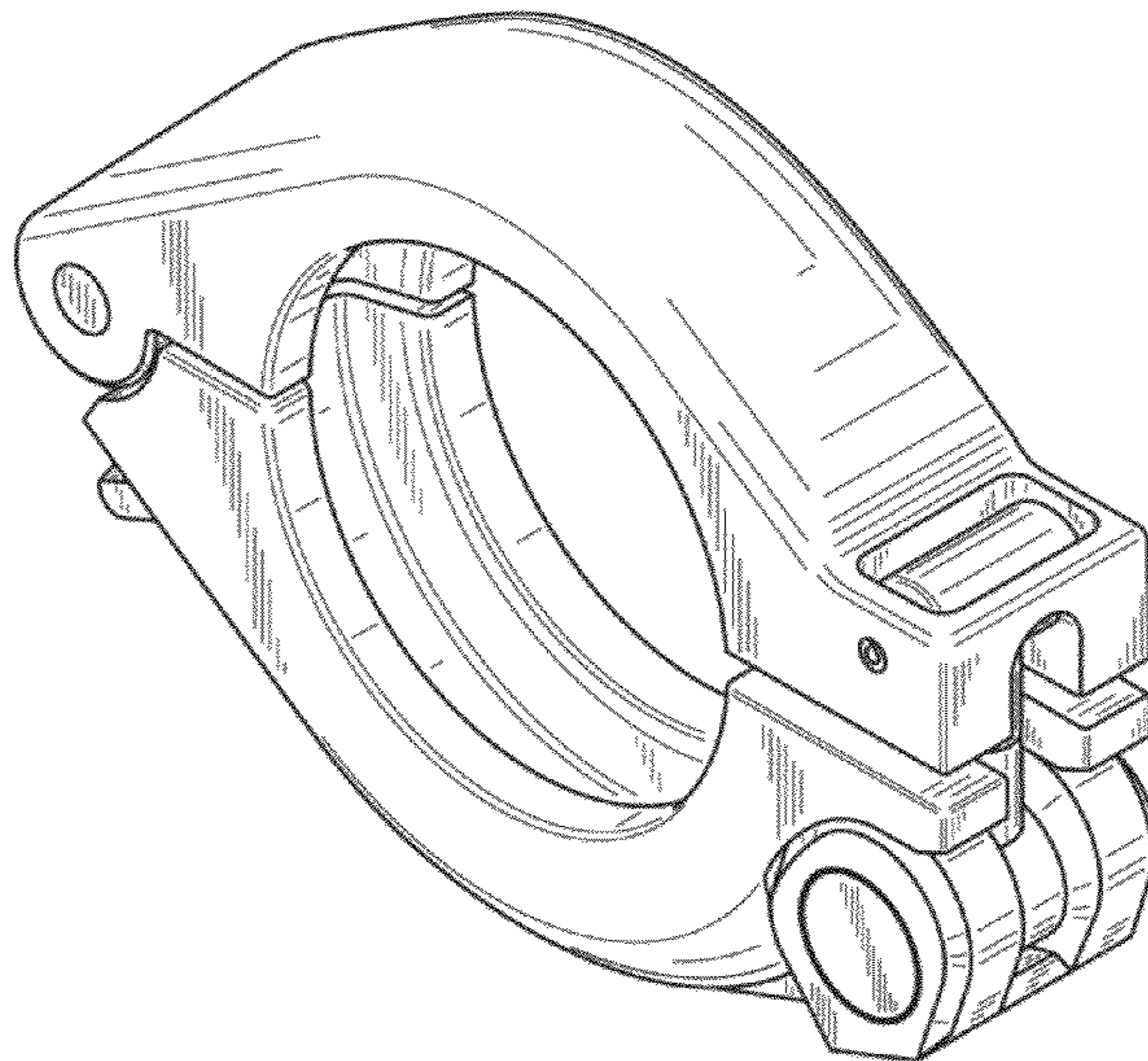
U.S. PATENT DOCUMENTS

2,390,232	A *	12/1945	Venditty	24/271
2,649,632	A *	8/1953	Kessler	24/270
2,673,102	A *	3/1954	Hutchinson	285/409
2,775,806	A *	1/1957	Love	24/271
2,869,211	A *	1/1959	Kessler et al.	24/270
3,042,430	A *	7/1962	Guy	
D199,695	S *	12/1964	Engman et al.	D8/396
3,201,156	A *	8/1965	Coats	
3,246,793	A *	4/1966	Wade	
3,370,815	A *	2/1968	Opperthausen	248/74.2
3,463,428	A *	8/1969	Kindorf et al.	248/72

DESCRIPTION

FIG. 1 is a top front isometric view of a hygienic clamp showing my new design;
 FIG. 2 is a front elevational view thereof;
 FIG. 3 is a right side elevational view thereof;
 FIG. 4 is a top plan view thereof;
 FIG. 5 is a left side elevational view thereof;
 FIG. 6 is a bottom plan view thereof.
 FIG. 7 is a rear elevational view thereof; and,
 FIG. 8 is a bottom rear isometric view thereof.

1 Claim, 2 Drawing Sheets



(56)

References Cited

U.S. PATENT DOCUMENTS

D577,423 S * 9/2008 Dole D23/265
7,427,051 B2 * 9/2008 Oh 248/73
D584,604 S * 1/2009 Baldwin D8/396
D700,835 S * 3/2014 Langlois et al. D8/396

D703,033 S * 4/2014 Karlsson D8/396
D708,053 S * 7/2014 Marini D8/396
D711,730 S * 8/2014 McKiernan D8/396
D721,950 S * 2/2015 Quinlan et al. D8/396
8,943,991 B2 * 2/2015 Snow, Jr. 114/253

* cited by examiner

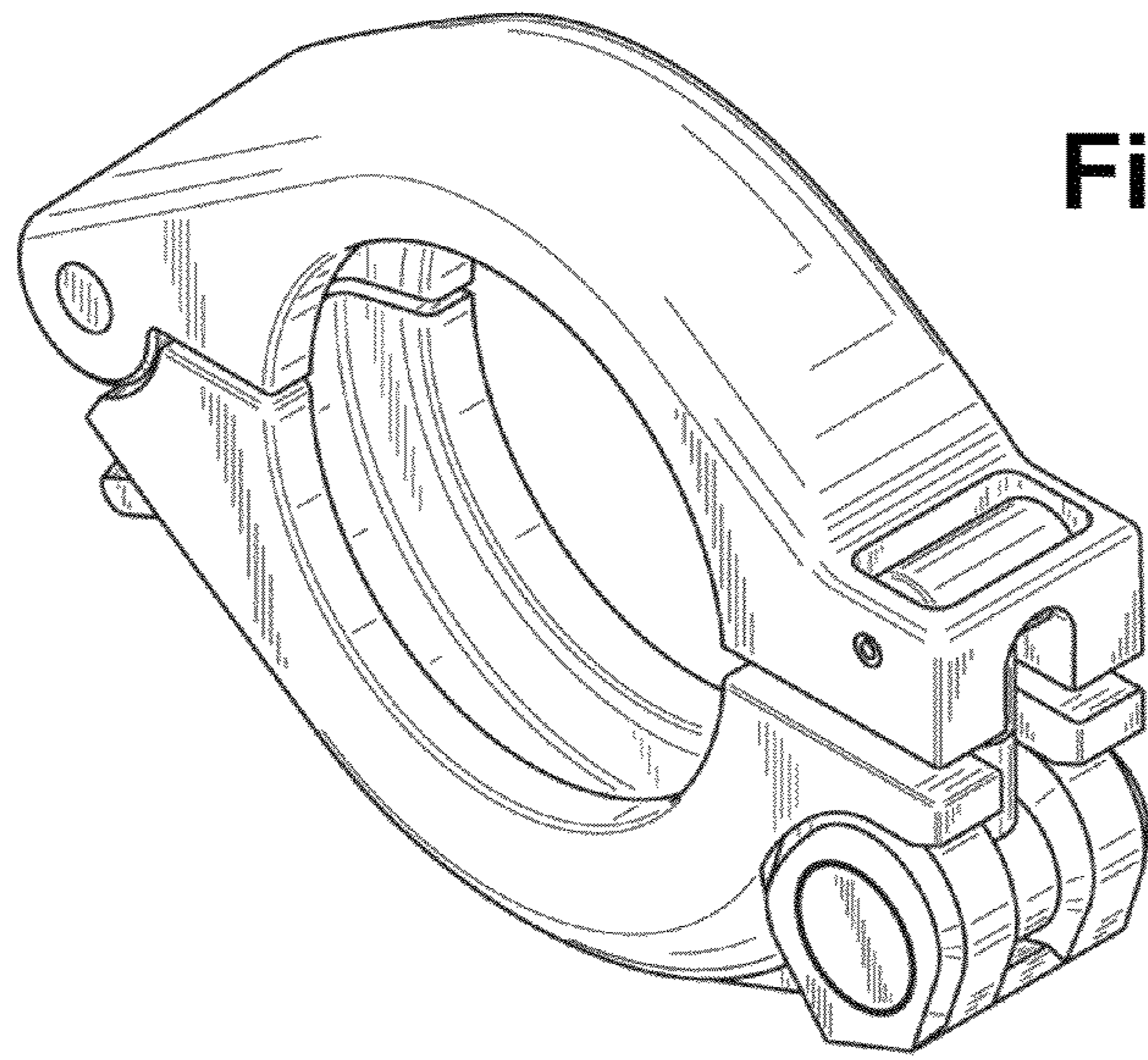


Fig. 1

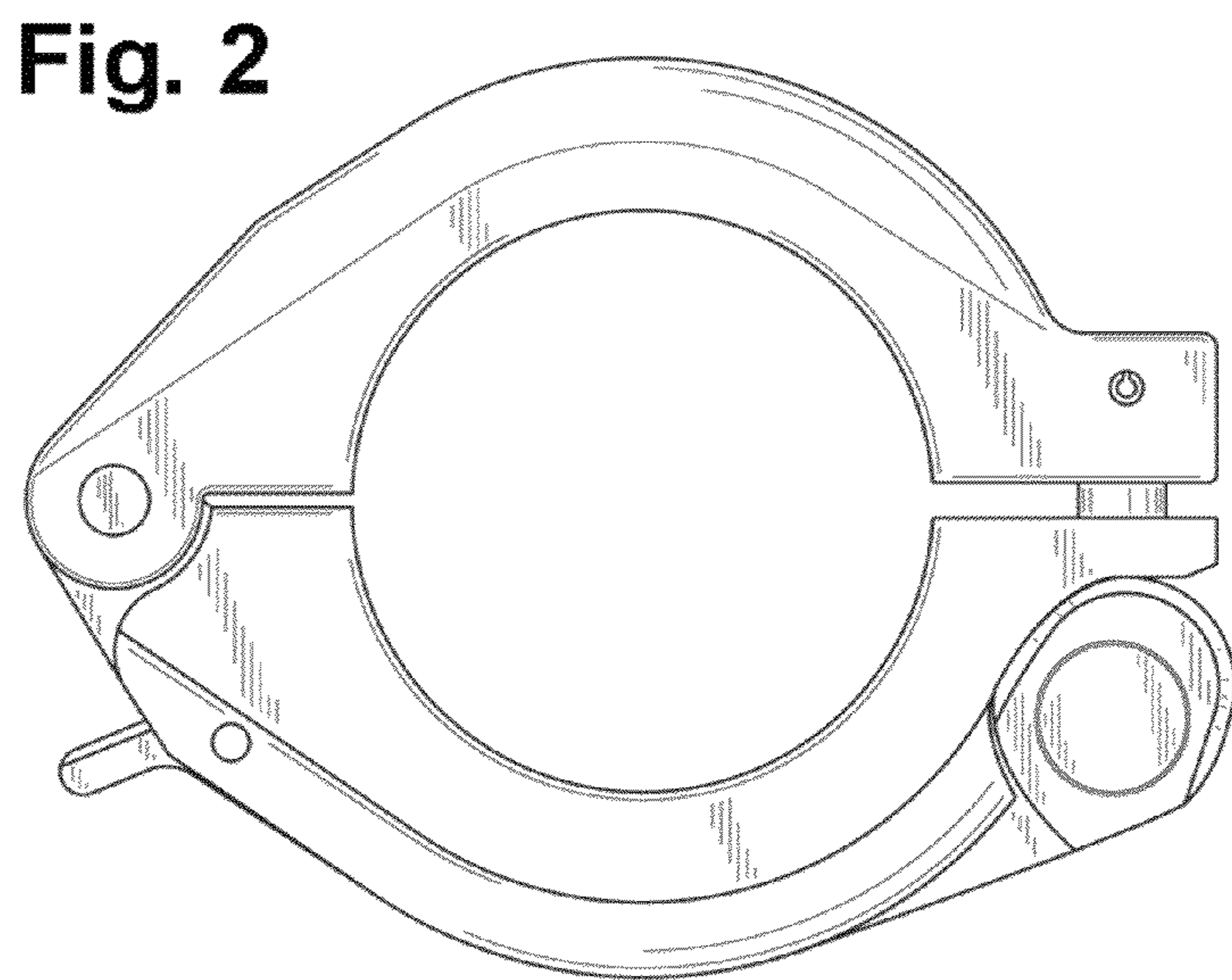


Fig. 2

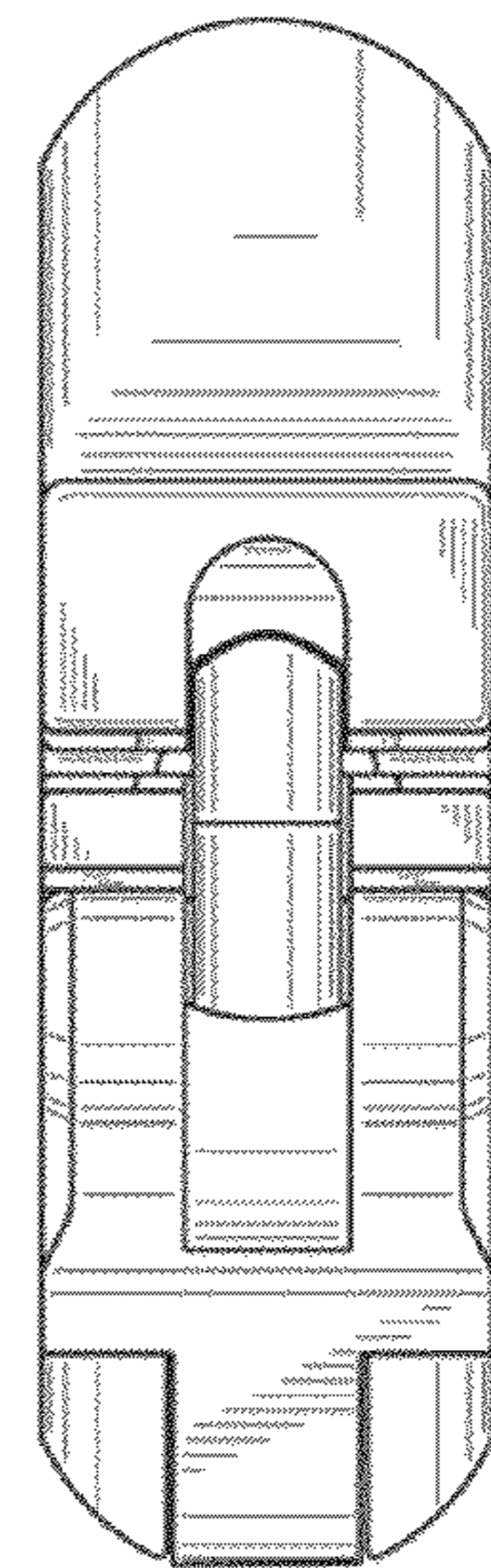


Fig. 3

Fig. 4

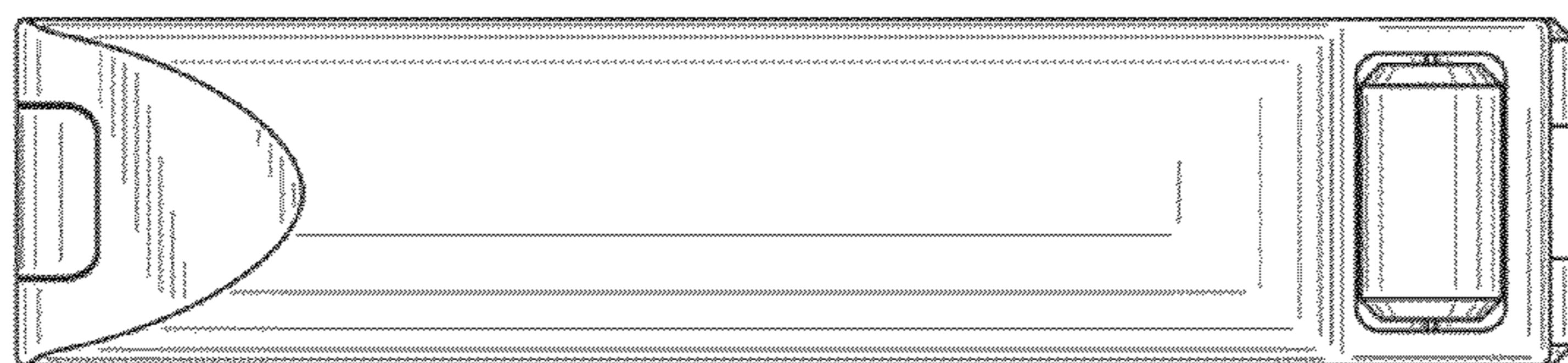


Fig. 5

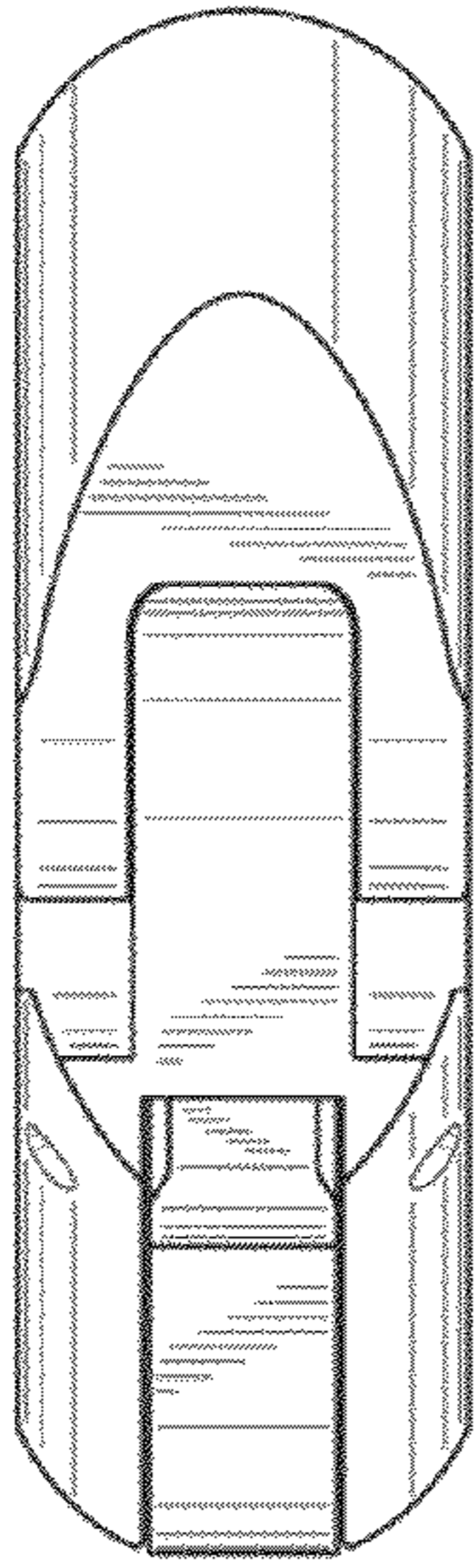


Fig. 6

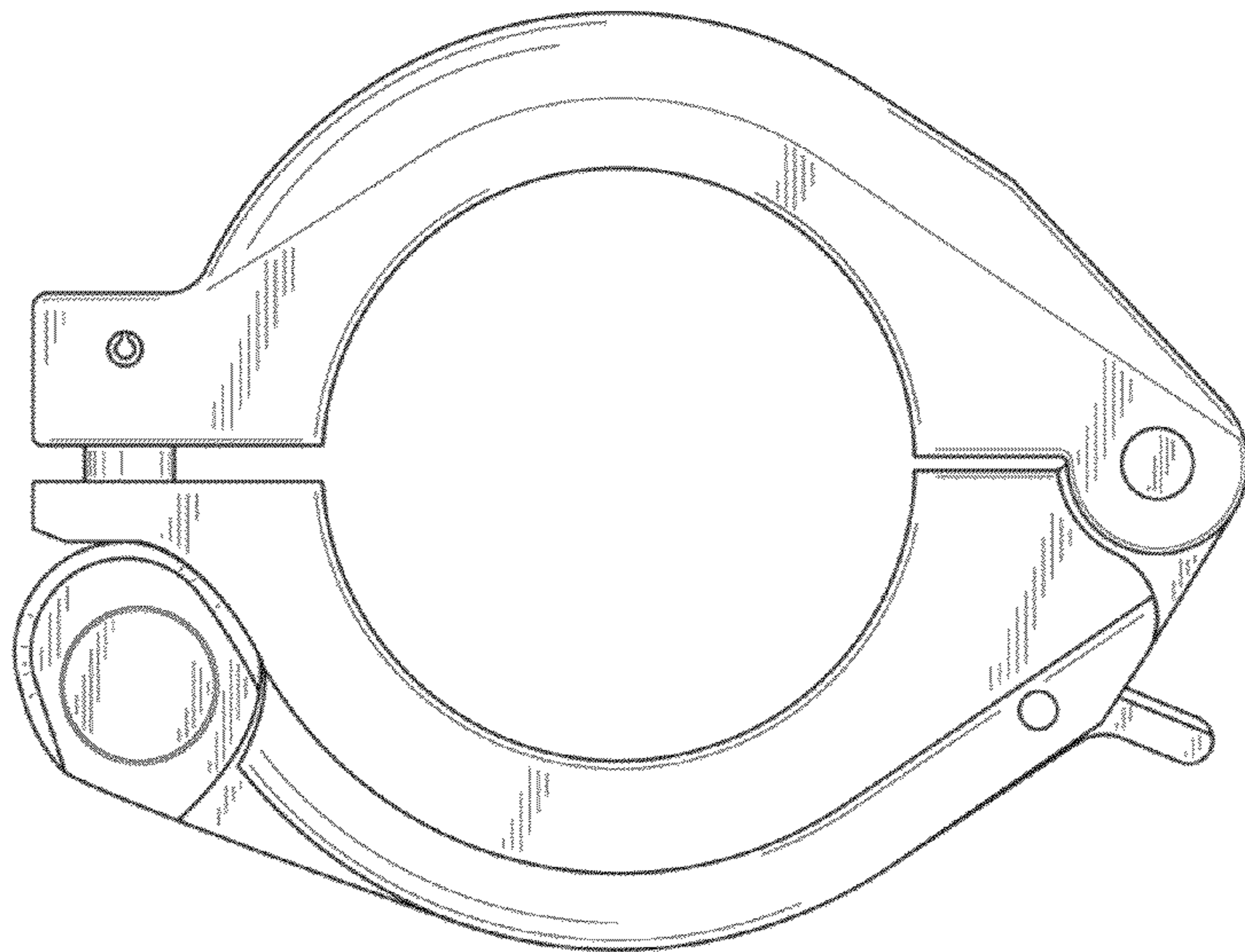
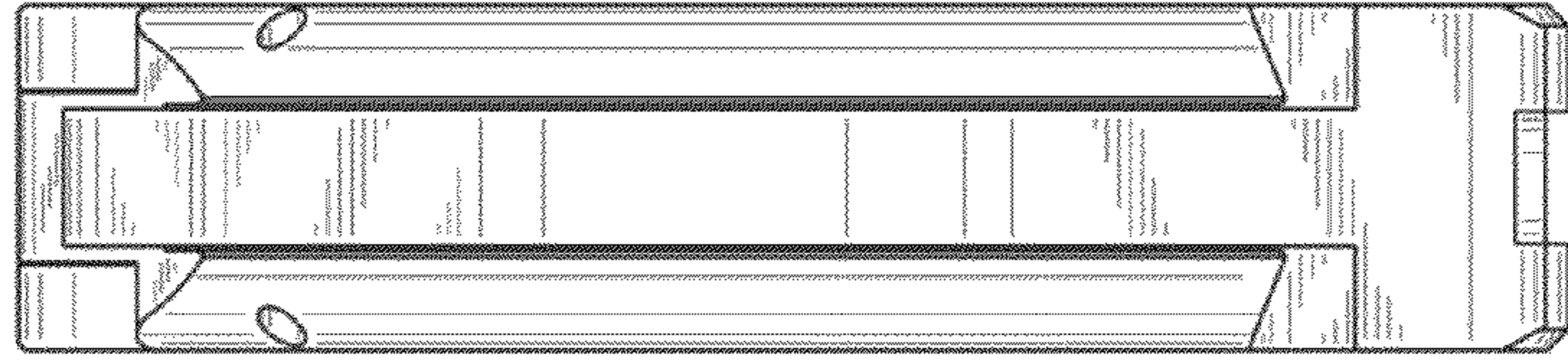


Fig. 7

Fig. 8

