



US00D735024S

(12) **United States Design Patent**
Liu

(10) **Patent No.:** **US D735,024 S**

(45) **Date of Patent:** **** Jul. 28, 2015**

(54) **JAW FOR ANTI-FALLING DEVICE**

(71) Applicant: **Yi-Pin Liu**, Taichung (TW)

(72) Inventor: **Yi-Pin Liu**, Taichung (TW)

(**) Term: **14 Years**

(21) Appl. No.: **29/475,336**

(22) Filed: **Dec. 3, 2013**

(51) **LOC (10) Cl.** **08-08**

(52) **U.S. Cl.**
USPC **D8/394**

(58) **Field of Classification Search**
USPC D8/349, 354-355, 380, 382-383, 394,
D8/74; D13/155, 102, 118, 154, 184, 199;
D25/119, 123, 124, 125, 65; D21/484,
D21/500, 504

CPC B25B 1/00; F24J 2/07; F24J 2/14;
F24J 2/541; F24J 2/542; F24J 2/38; Y02E
10/47; Y02E 10/45; Y02E 10/50; Y02E
10/60; Y02E 10/52; E04H 9/022; E04H
9/021; E02D 27/34; E04B 1/98; H01L 35/00;
H01L 31/0522; H01L 35/08; H01L 31/052;
H01L 31/042; H01L 31/05; H01L 27/1423;
H01L 31/048; H01L 31/045; H01L 31/055;
B64G 1/443; B64G 1/222; B60G 2202/143
See application file for complete search history.

(56) **References Cited**

U.S. PATENT DOCUMENTS

D3,130 S * 7/1868 Quimby D8/74
3,208,744 A * 9/1965 Slifer, Jr. 269/247
D231,599 S * 5/1974 Rumble D8/394

5,711,397 A * 1/1998 Flora et al. 182/3
6,092,623 A * 7/2000 Collavino 182/3
6,962,234 B1 * 11/2005 Reeves 182/36
7,000,730 B1 * 2/2006 Ostrobrod 182/36
D554,975 S * 11/2007 Kimura D8/354
8,646,575 B1 * 2/2014 Guthrie et al. 182/3
2010/0147624 A1 * 6/2010 Caylor et al. 182/129
2010/0326767 A1 * 12/2010 Guthrie et al. 182/3
2014/0361479 A1 * 12/2014 Zhang et al. 269/245

* cited by examiner

Primary Examiner — Karen E Kearney

Assistant Examiner — Nathaniel D Buckner

(74) *Attorney, Agent, or Firm* — Alan D. Kamrath; Kamrath
IP Lawfirm, P.A.

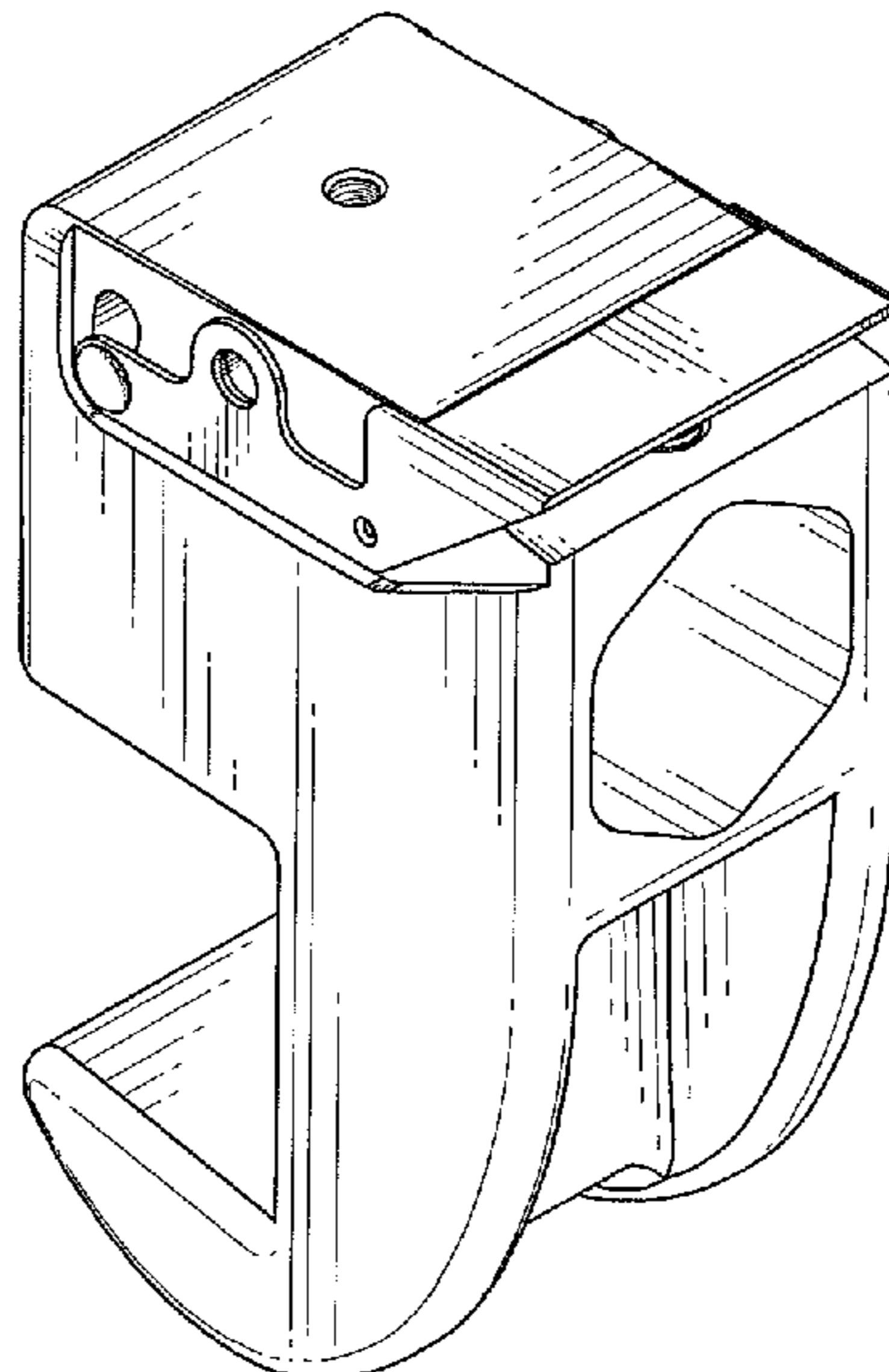
(57) **CLAIM**

The ornamental design for a jaw for anti-falling device, as shown and described.

DESCRIPTION

FIG. 1 is a perspective view of a jaw for anti-falling device showing my new design;
FIG. 2 is a front elevational view thereof;
FIG. 3 is a rear elevational view thereof;
FIG. 4 is a left side elevational view thereof;
FIG. 5 is a right side elevational view thereof;
FIG. 6 is a top plan view thereof;
FIG. 7 is a bottom plan view thereof; and,
FIG. 8 is a perspective view showing the jaw for anti-falling device in an environment of use, wherein the broken lines illustrate environmental structure and form no part of the claimed design.

1 Claim, 6 Drawing Sheets



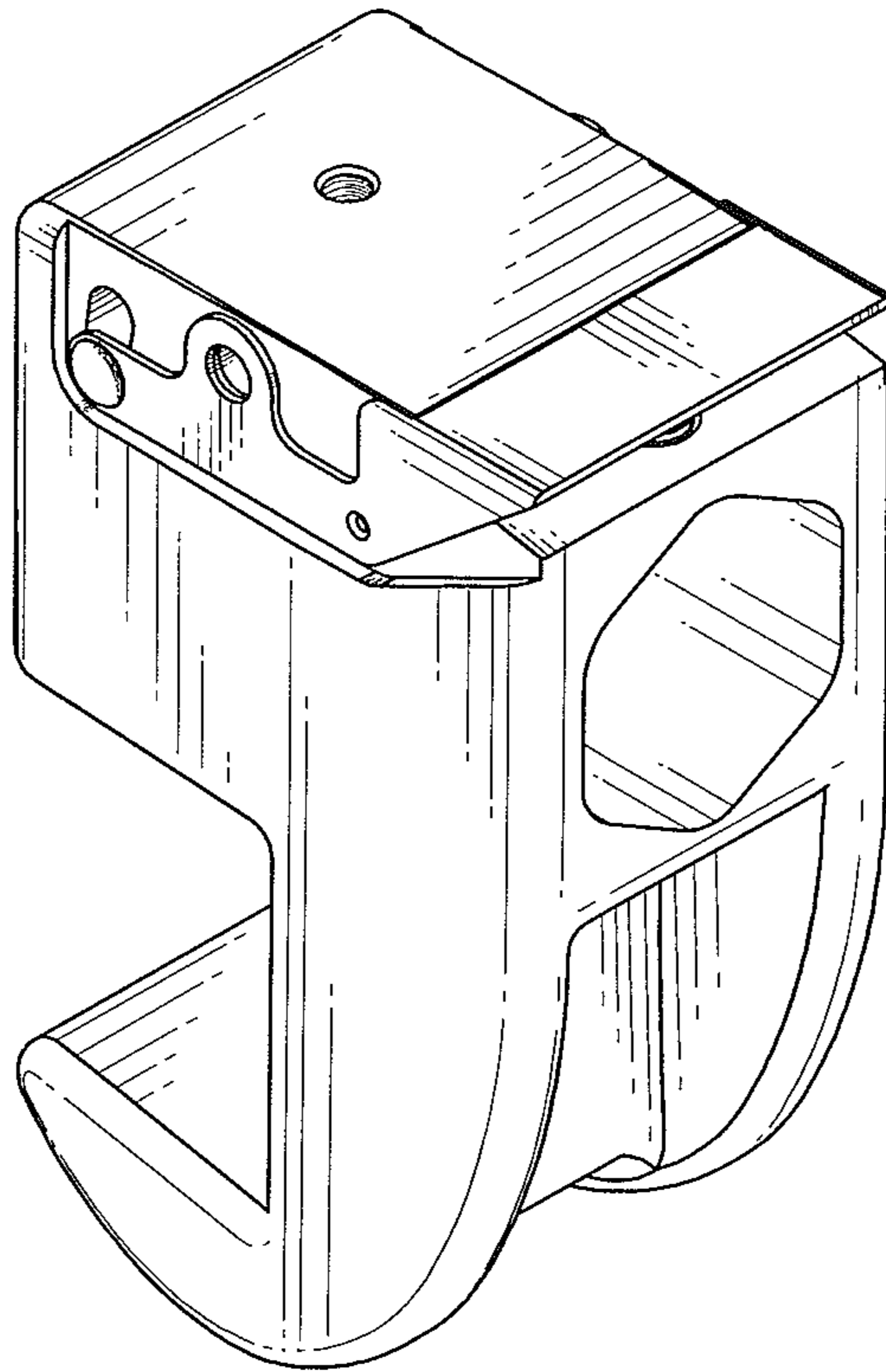


FIG. 1

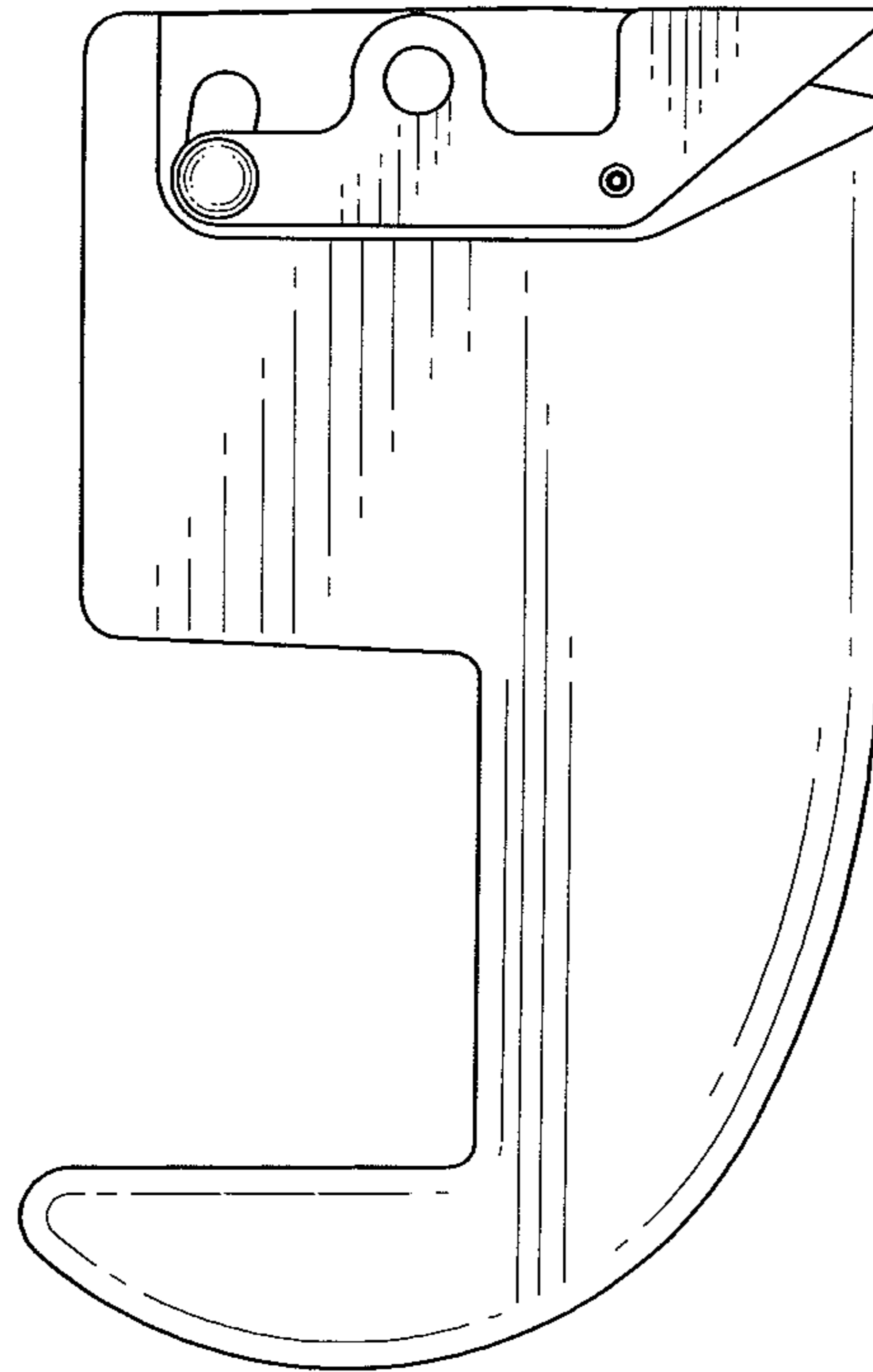


FIG. 2

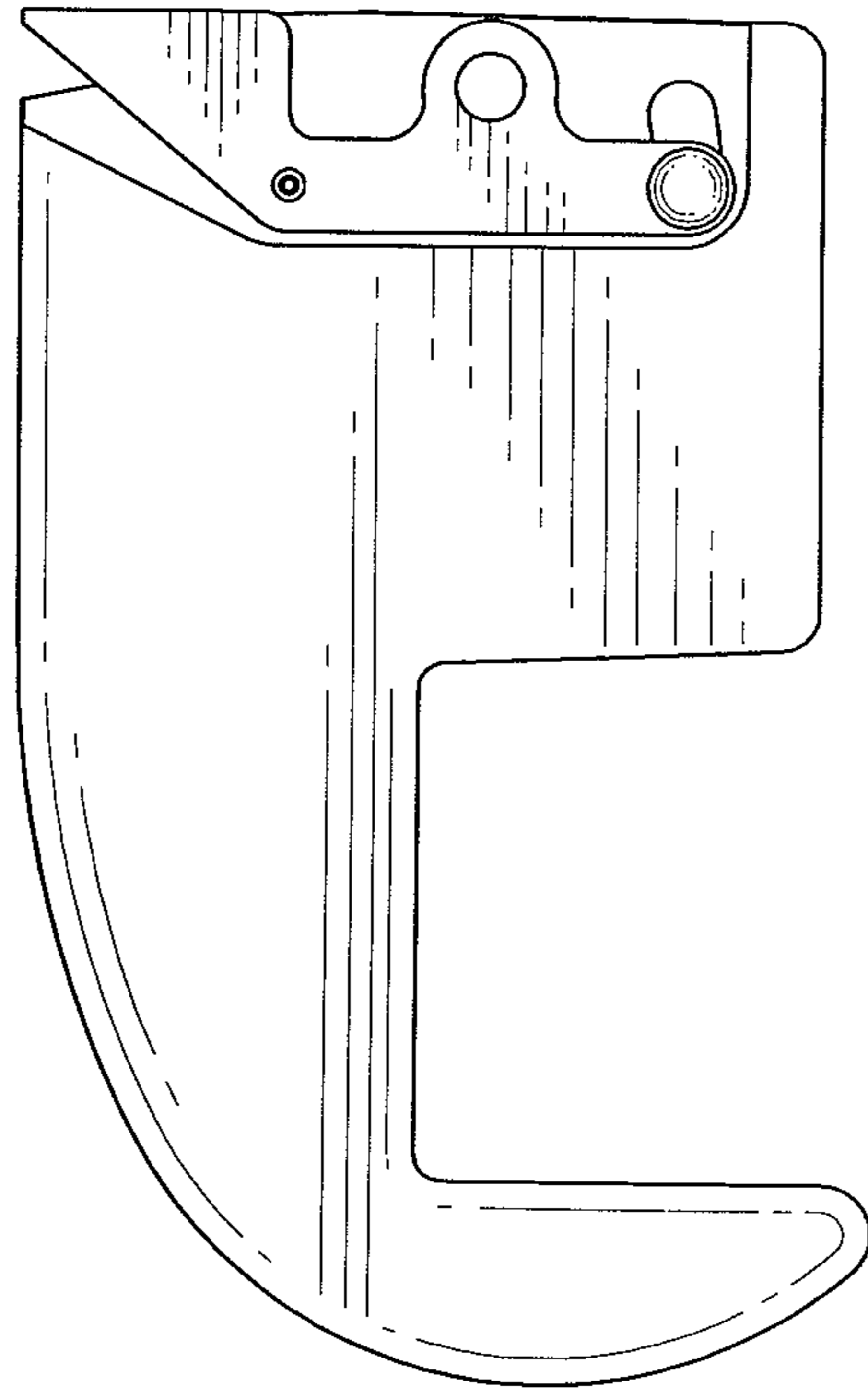


FIG. 3

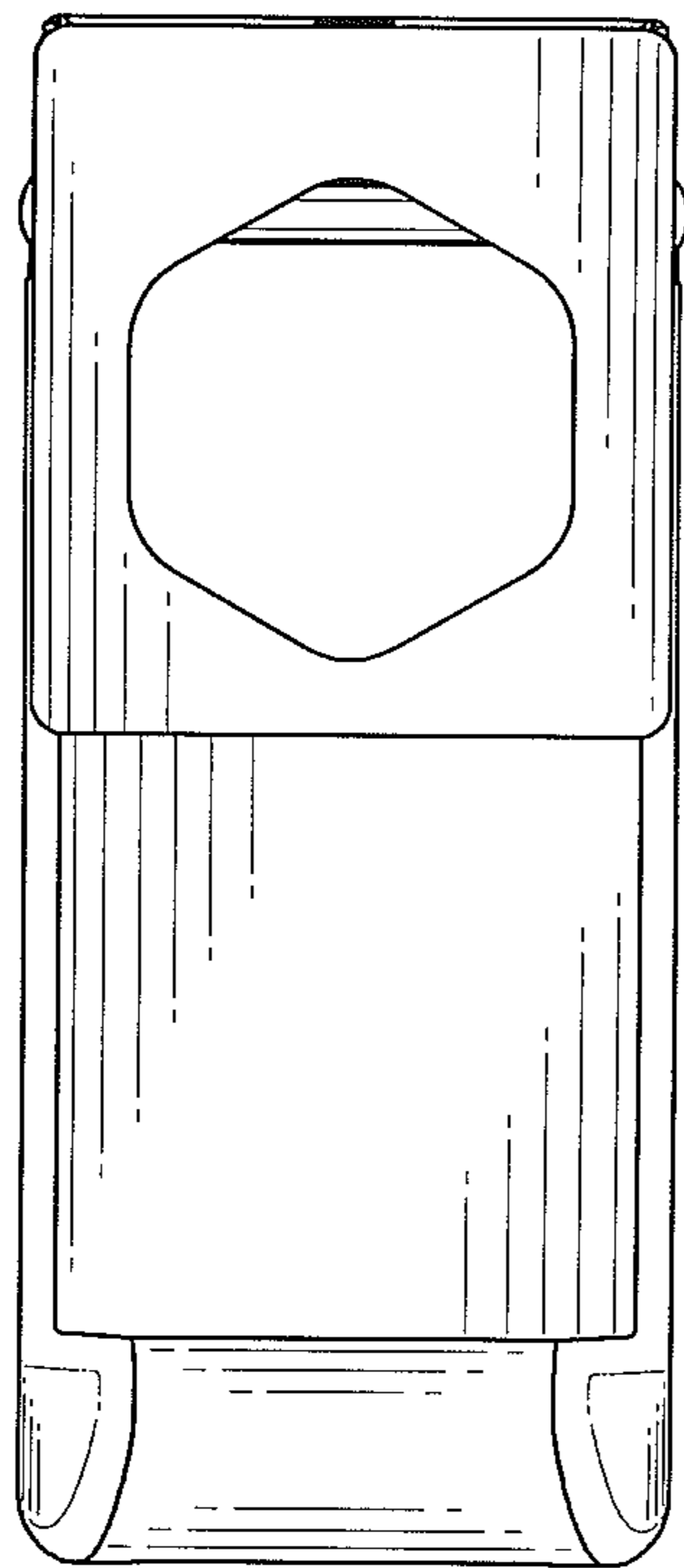


FIG. 4

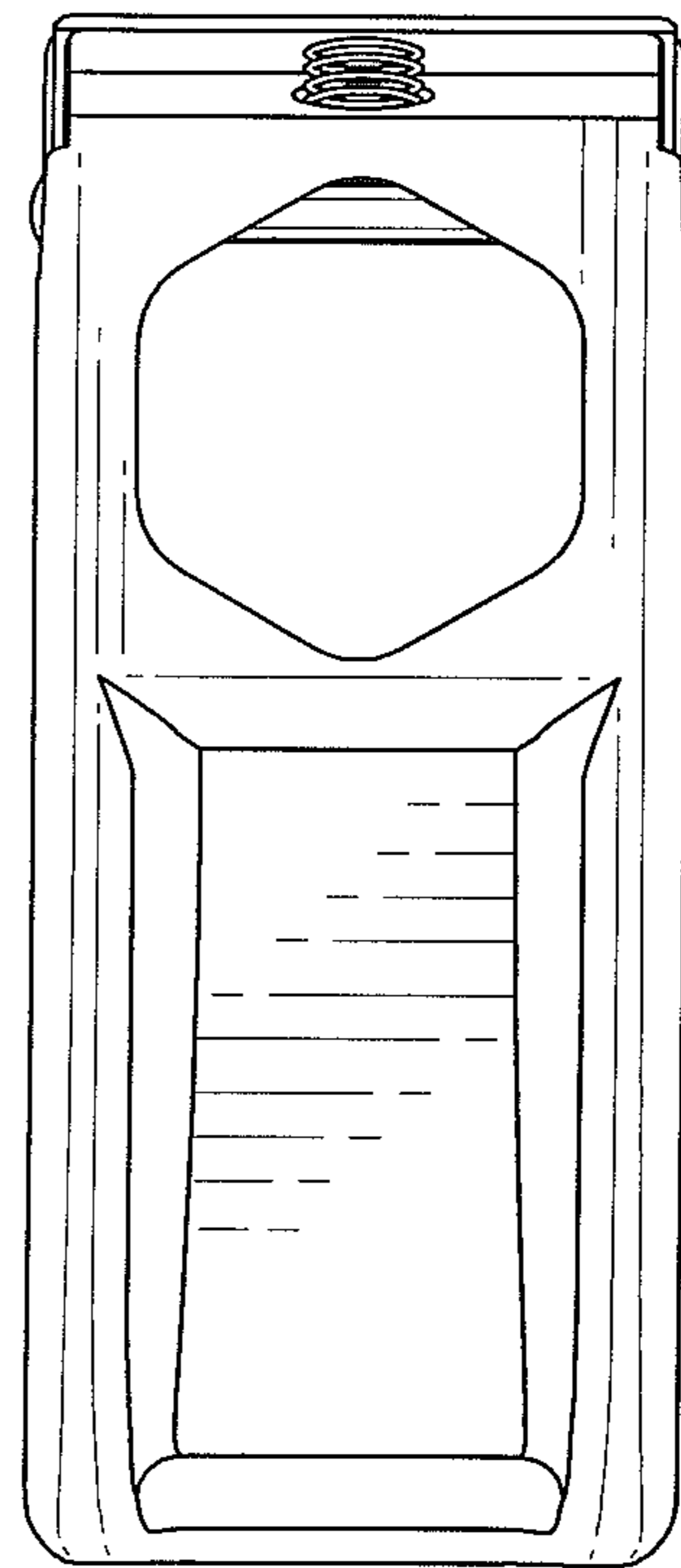


FIG. 5

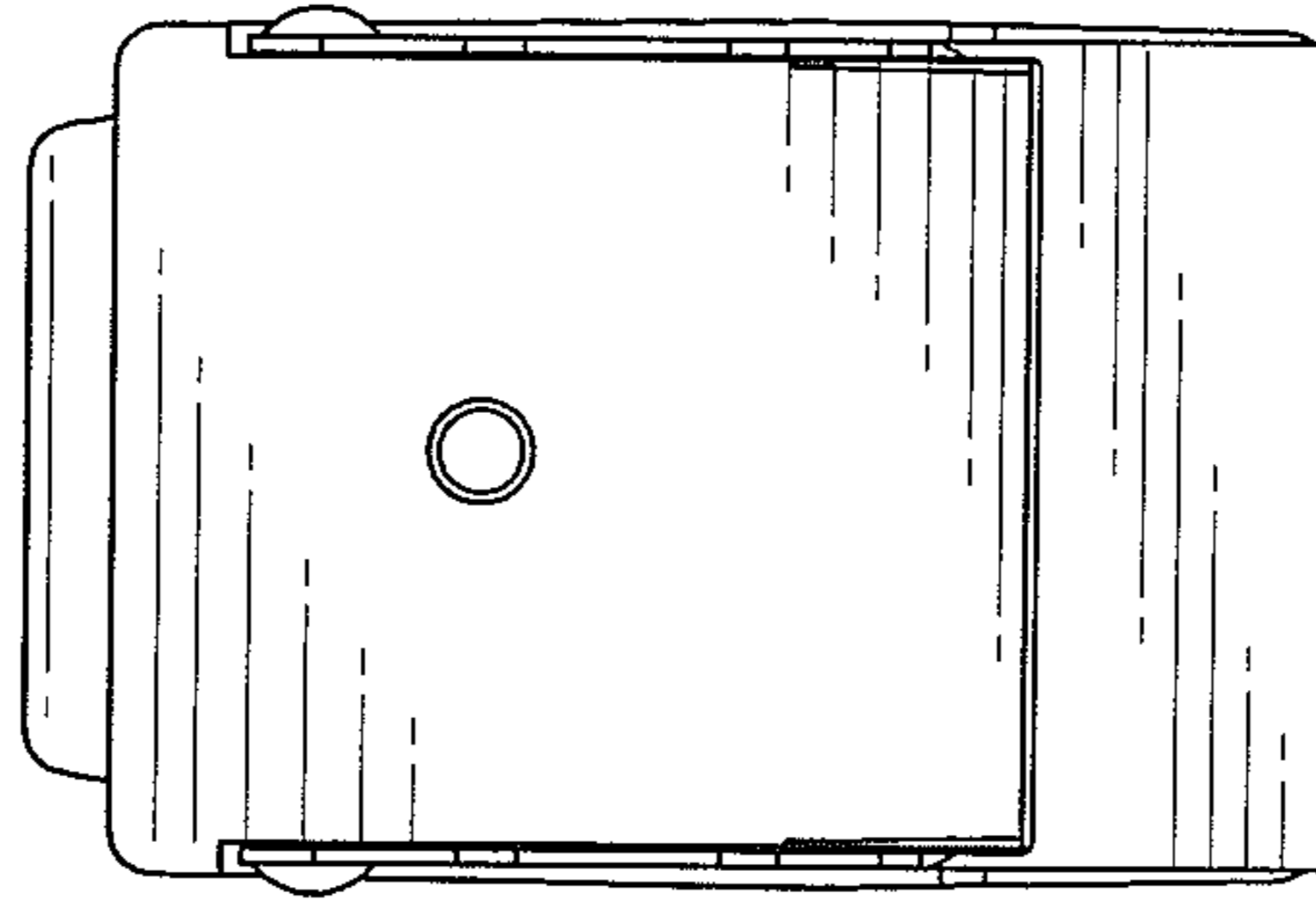


FIG. 6

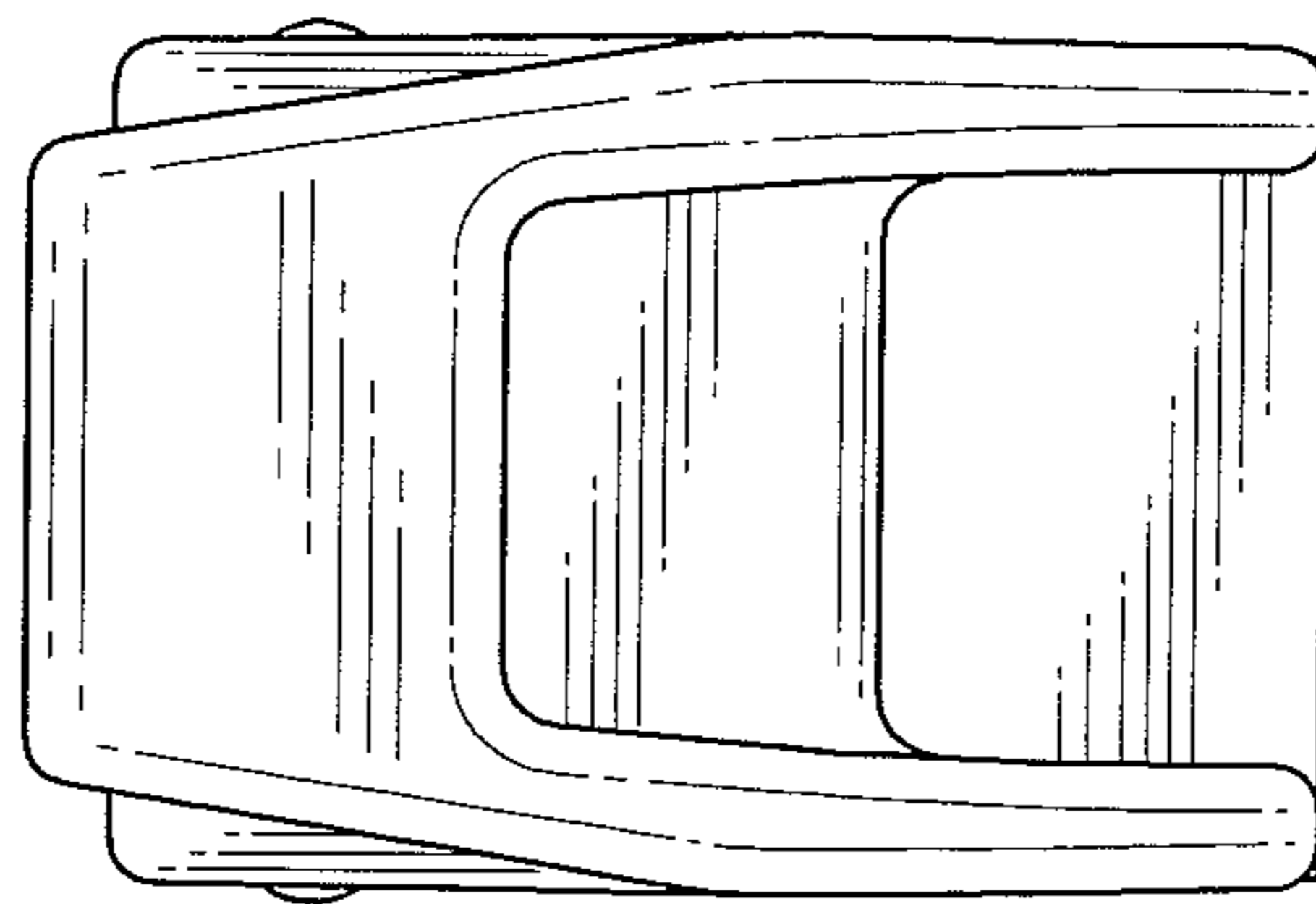


FIG. 7

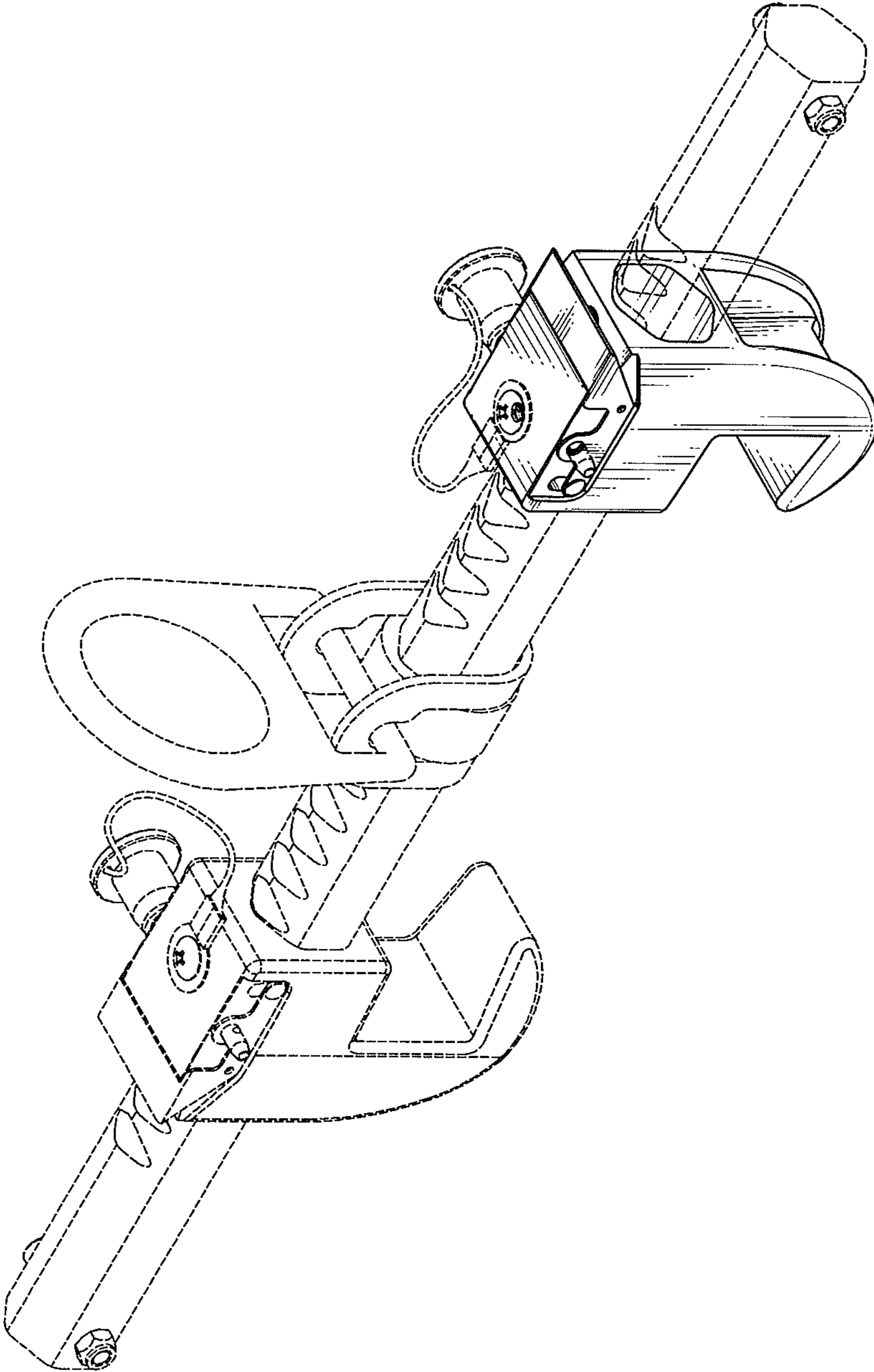


FIG. 8