



US00D735023S

(12) **United States Design Patent**
Baldwin et al.

(10) **Patent No.:** **US D735,023 S**

(45) **Date of Patent:** **** Jul. 28, 2015**

(54) **CABLE RAIL SYSTEM MOUNTING
BRACKET**

(71) Applicants: **Jeffrey Baldwin**, Desert Hills, AZ (US);
John Klein, Gilbert, AZ (US); **Ryan
Liebengood**, Gilbert, AZ (US)

(72) Inventors: **Jeffrey Baldwin**, Desert Hills, AZ (US);
John Klein, Gilbert, AZ (US); **Ryan
Liebengood**, Gilbert, AZ (US)

(**) Term: **14 Years**

(21) Appl. No.: **29/492,778**

(22) Filed: **Jun. 3, 2014**

(51) **LOC (10) Cl.** **08-05**

(52) **U.S. Cl.**
USPC **D8/380**

(58) **Field of Classification Search**

USPC D8/375, 374, 381, 382, 380, 318, 373,
D8/377, 363, 358, 384, 376, 385, 388, 389,
D8/355, 394, 356, 396; D3/279, 271.12;
D12/223; D34/14, 19, 24, 25, 27;
D21/424, 425, 533, 534, 535, 536;
D20/41, 43; D4/199; D19/135;
D25/131, 102, 45
CPC . E04H 17/20; E04H 12/2215; E04H 12/2292;
E04H 12/2238; E04H 12/2223; E04H 15/34;
E06B 11/025; A63B 2071/024; F21S 8/081;
A47C 9/06; F16B 5/0685; F16B 9/026

See application file for complete search history.

(56) **References Cited**

U.S. PATENT DOCUMENTS

D272,785 S *	2/1984	Rumbaugh	D6/552
D303,192 S *	9/1989	Bogar, III	D6/552
D335,058 S *	4/1993	Williams	D6/552
D416,335 S *	11/1999	Roy	D25/131
D471,291 S *	3/2003	Ammons	D25/131
D483,947 S *	12/2003	Peterson	D3/318
D488,054 S *	4/2004	Myers	D8/356
D553,758 S *	10/2007	Turjanski	D25/102
2003/0080078 A1 *	5/2003	Belokin et al.	211/88.01

* cited by examiner

Primary Examiner — Robert M Spear

Assistant Examiner — Eliza Bennett-Hattan

(74) *Attorney, Agent, or Firm* — Ryan Liebengood

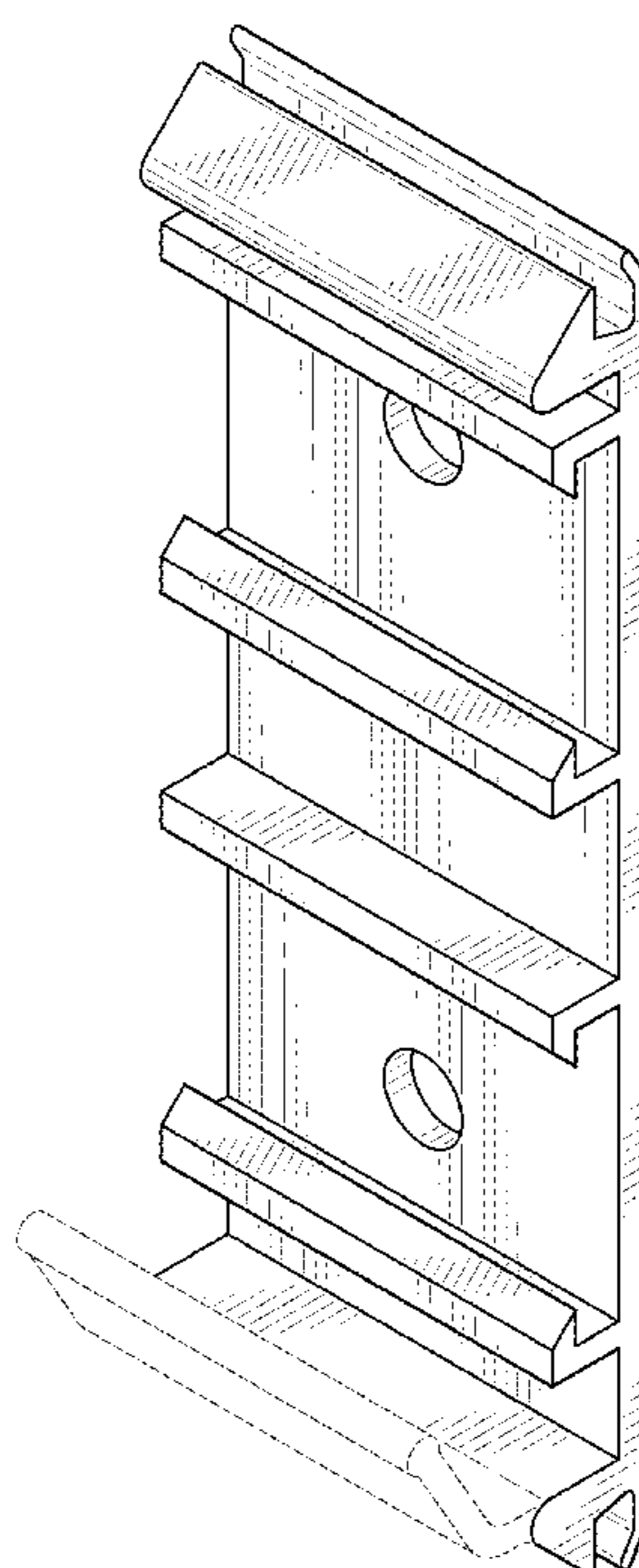
(57) **CLAIM**

We claim the ornamental design for a cable rail system mounting bracket, as shown and described.

DESCRIPTION

FIG. 1 is a perspective view of a cable rail system mounting bracket showing our design;
FIG. 2 is front elevational view thereof;
FIG. 3 is a rear elevational view thereof;
FIG. 4 is a left side view thereof;
FIG. 5 is a right side view thereof;
FIG. 6 is a top plan view thereof; and,
FIG. 7 is a bottom plan view thereof.
The broken lines shown in the Figures are included for the purpose of illustrating environmental features and form no part of the claimed design.

1 Claim, 4 Drawing Sheets



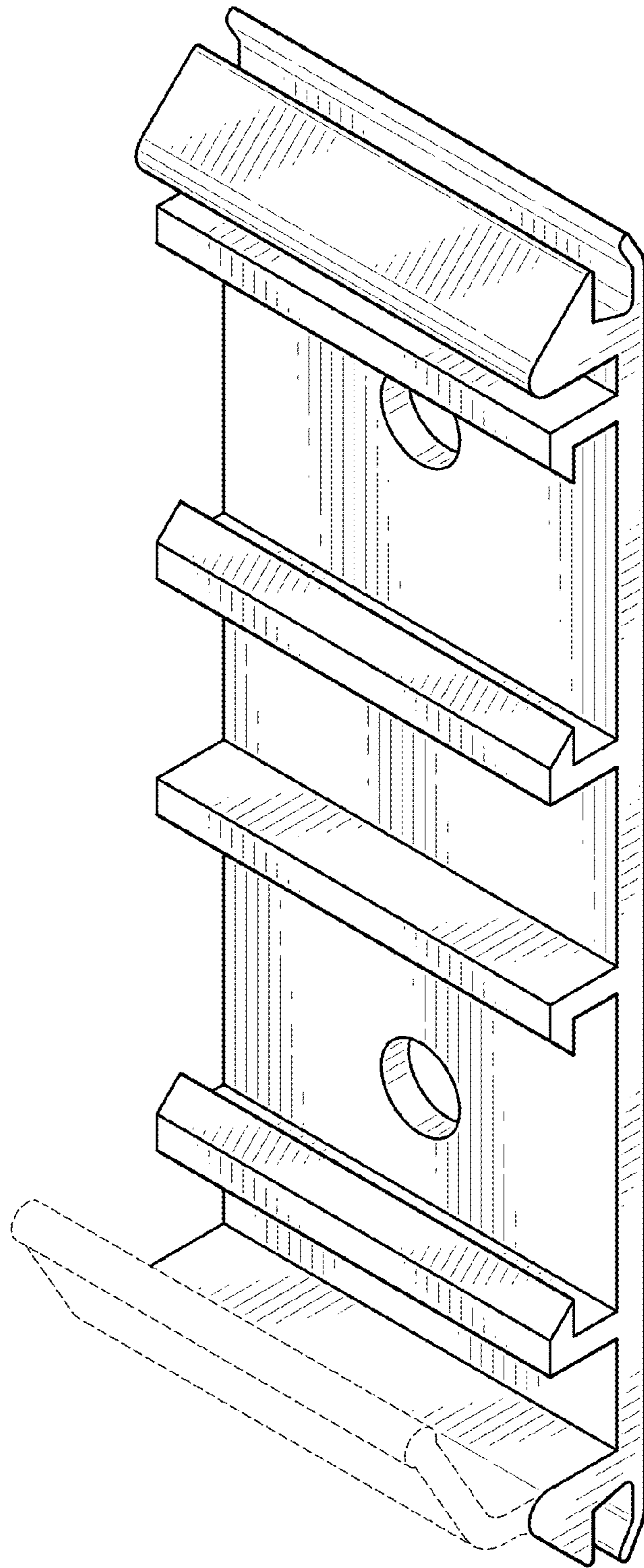


FIG-1

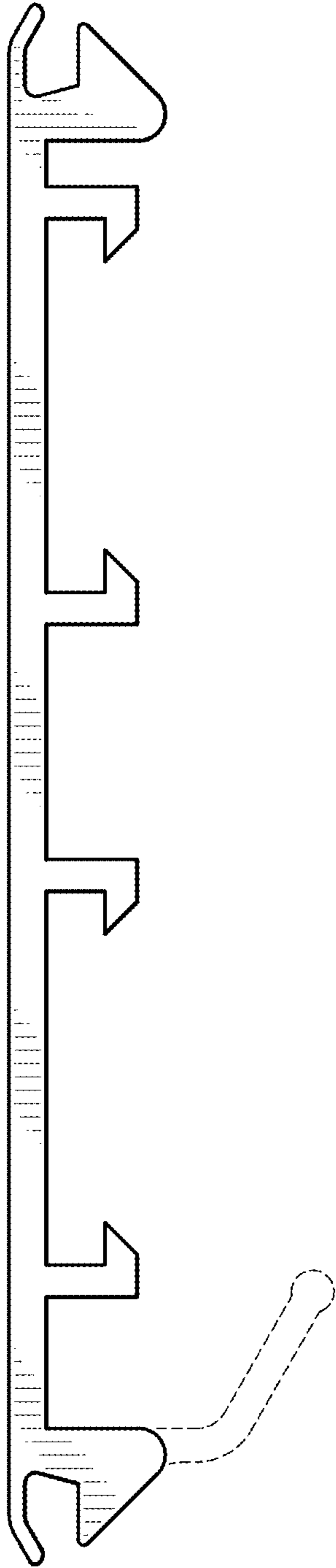


FIG-4

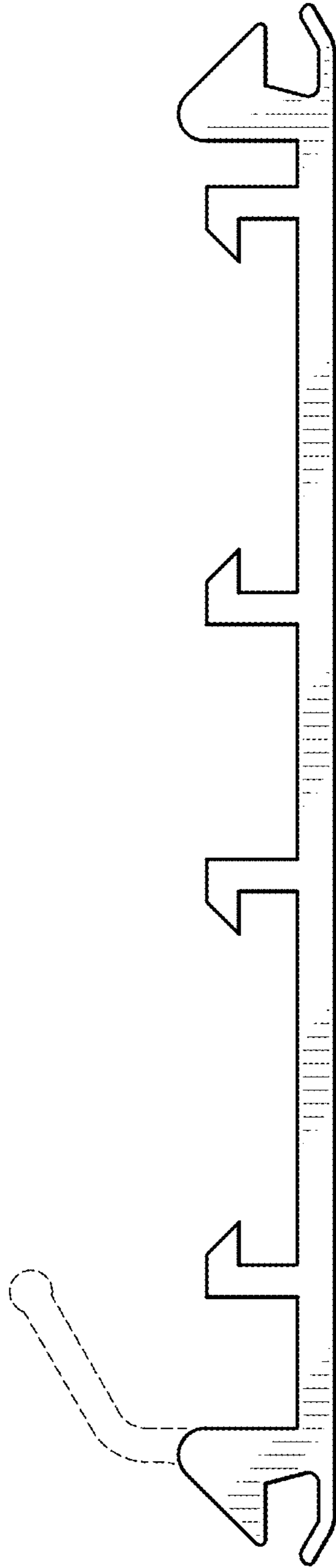


FIG-5

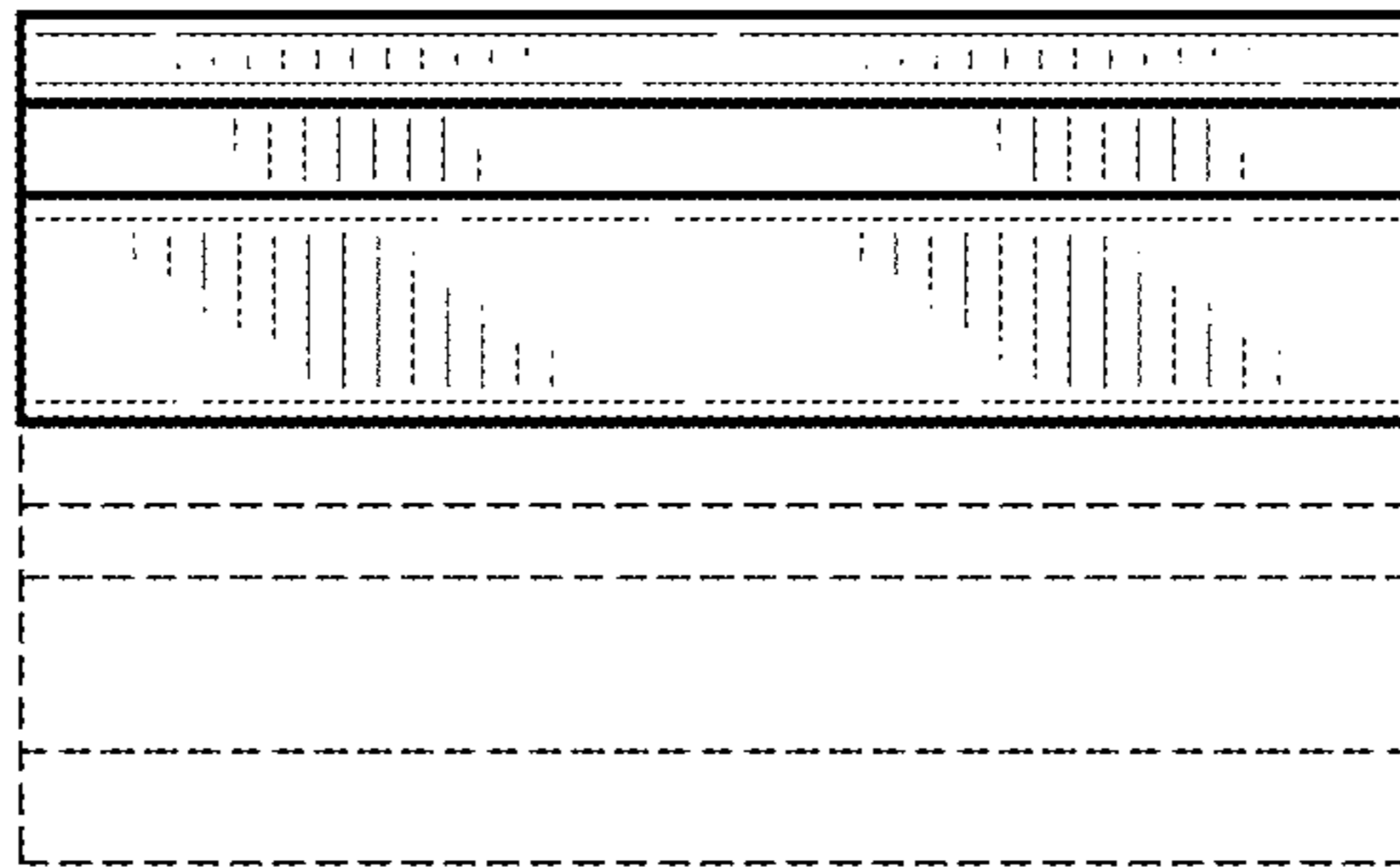


FIG-6

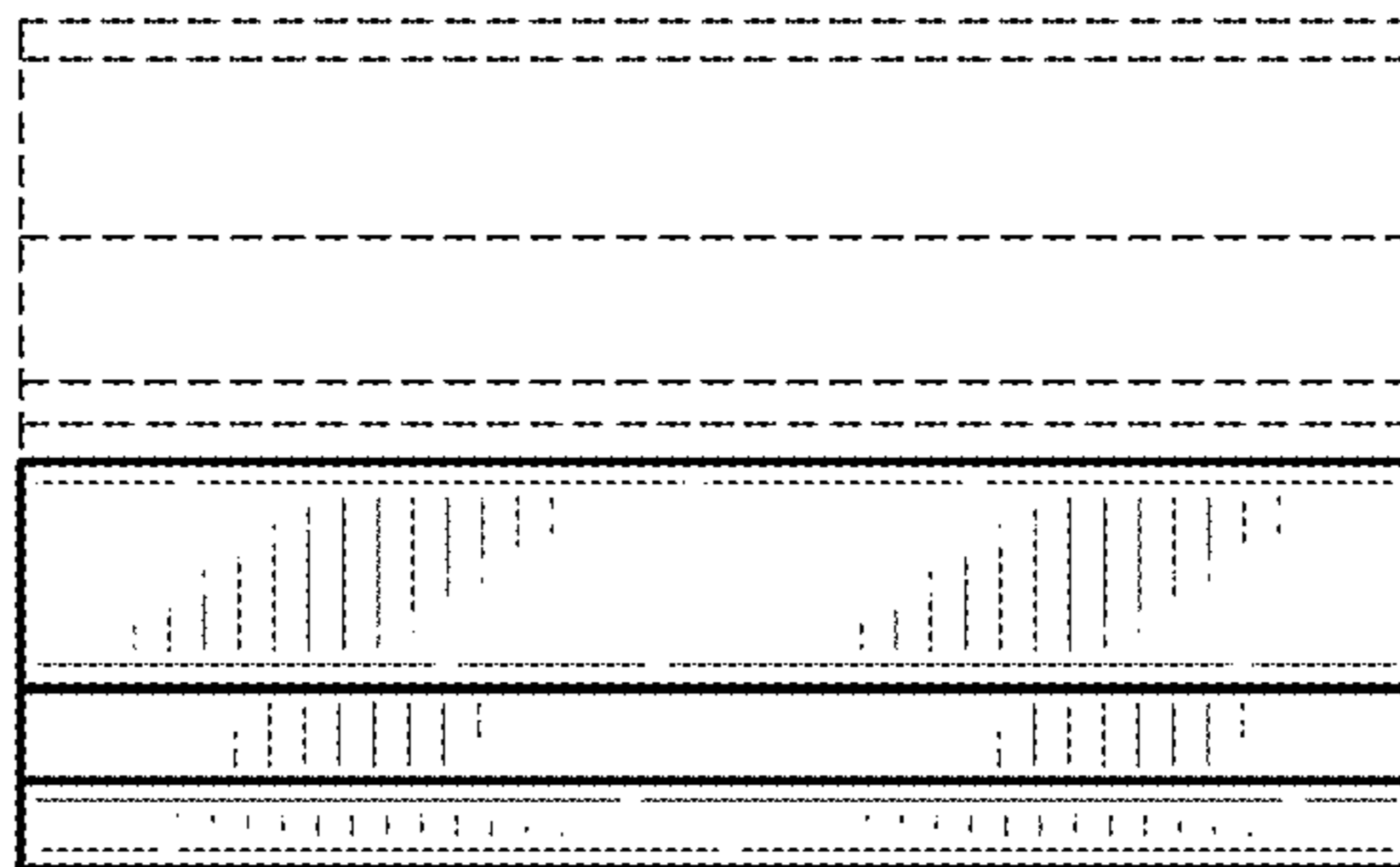


FIG-7