



US00D735022S

(12) **United States Design Patent**  
**Fan**

(10) **Patent No.:** **US D735,022 S**

(45) **Date of Patent:** **\*\* Jul. 28, 2015**

(54) **CASTER**

(71) Applicant: **Tso-Yu Fan**, Changhua (TW)

(72) Inventor: **Tso-Yu Fan**, Changhua (TW)

(73) Assignee: **DER SHENG CO. Ltd.**, Changhua (TW)

(\*\*) Term: **14 Years**

(21) Appl. No.: **29/485,535**

(22) Filed: **Mar. 19, 2014**

(51) **LOC (10) Cl.** ..... **08-05**

(52) **U.S. Cl.**  
USPC ..... **D8/375**

(58) **Field of Classification Search**

USPC ..... D24/183; D12/19; 16/31 R, 18 R, 29, 16/35 D, 35 R, 37, 45; D3/318; D34/27  
CPC ..... B60B 33/0002; B60B 33/0049; B60B 33/0042; B60B 33/0068; B60B 33/0057; B60B 33/0073; B60B 33/0028; B60B 33/0039; B60B 33/0021; B60B 33/00; B60B 33/0005; B60B 33/0018; B60B 33/0007; B60B 33/0023; B60B 33/021

See application file for complete search history.

(56) **References Cited**

U.S. PATENT DOCUMENTS

D473,379 S *	4/2003	Moon	.....	D3/318
D592,042 S *	5/2009	Brodbeck	.....	D8/375
D641,612 S *	7/2011	Magill et al.	.....	D8/375
D650,658 S *	12/2011	Magill et al.	.....	D8/375
D654,652 S *	2/2012	Hatcher et al.	.....	D34/27
D668,944 S *	10/2012	Tsai	.....	D8/375

\* cited by examiner

*Primary Examiner* — Robert M Spear

*Assistant Examiner* — Eliza Bennett-Hattan

(74) *Attorney, Agent, or Firm* — Che-Yang Chen; Law Office of Michael Chen

(57) **CLAIM**

The ornamental design for a caster, as shown and described.

**DESCRIPTION**

FIG. 1 is a perspective view of a caster showing my new design;

FIG. 2 is a front elevational view thereof;

FIG. 3 is a rear elevational view thereof;

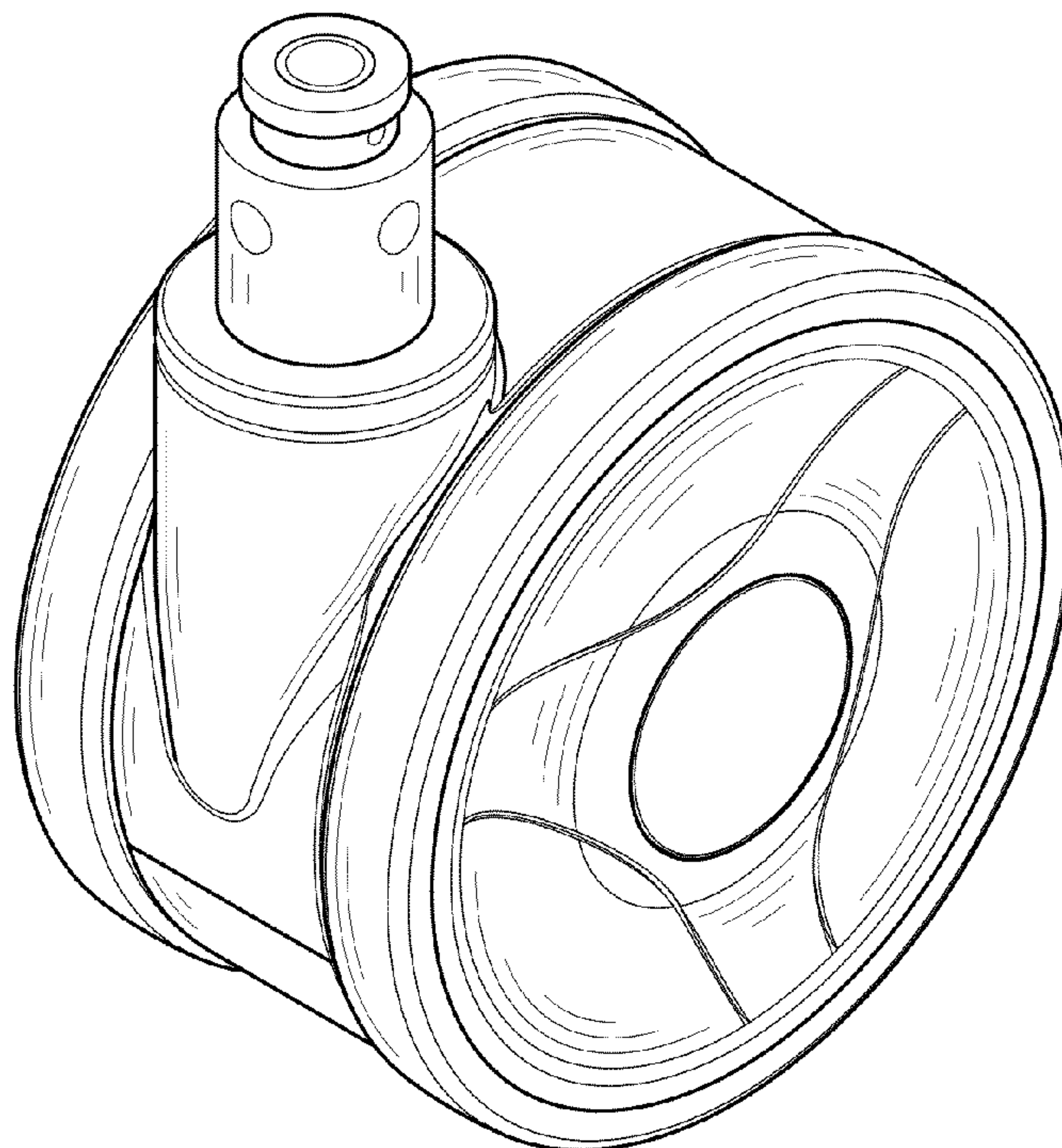
FIG. 4 is a left side elevational view thereof;

FIG. 5 is a right side elevational view thereof;

FIG. 6 is a top plan view thereof; and,

FIG. 7 is a bottom plan view thereof.

**1 Claim, 4 Drawing Sheets**



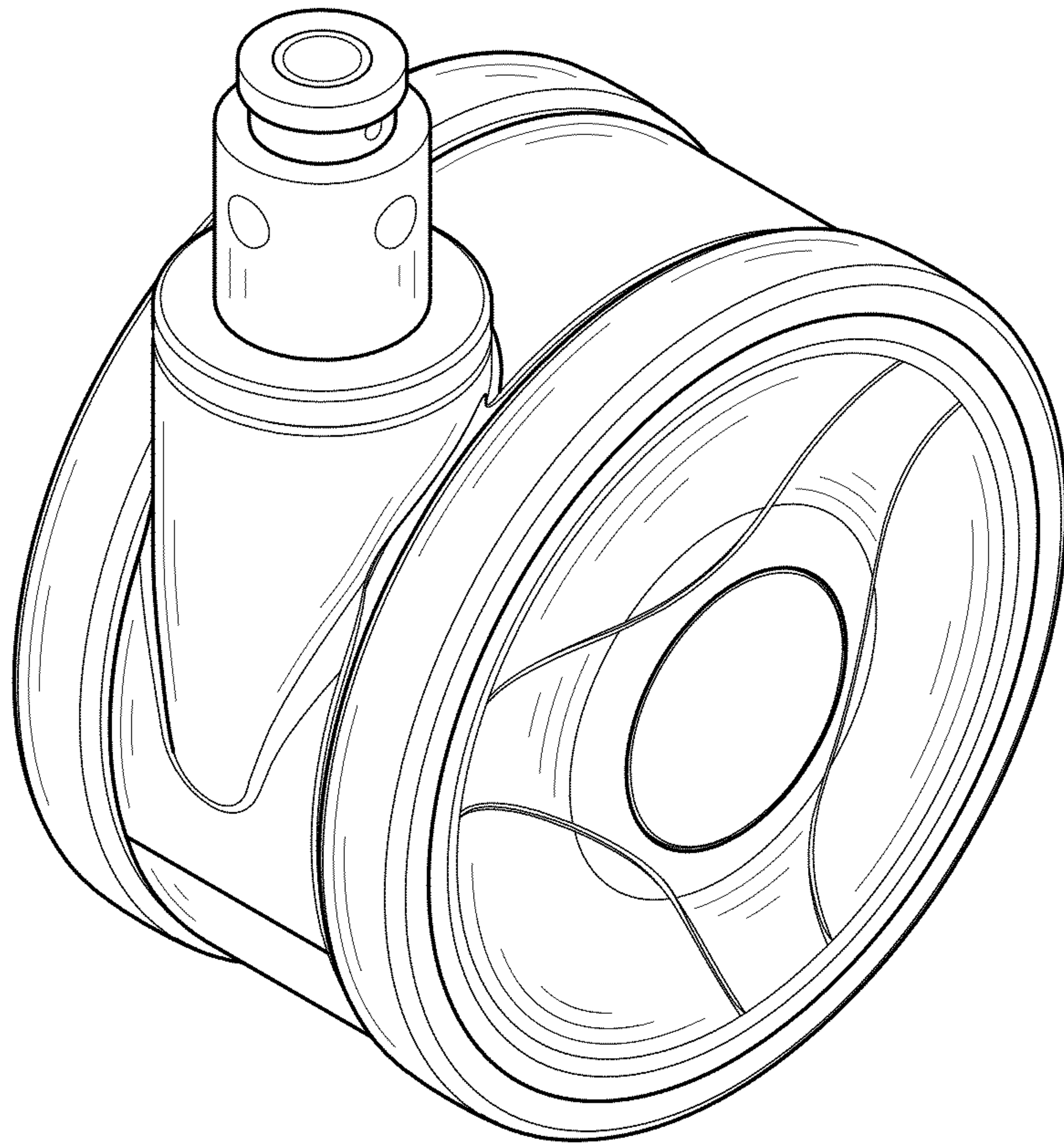


FIG.1

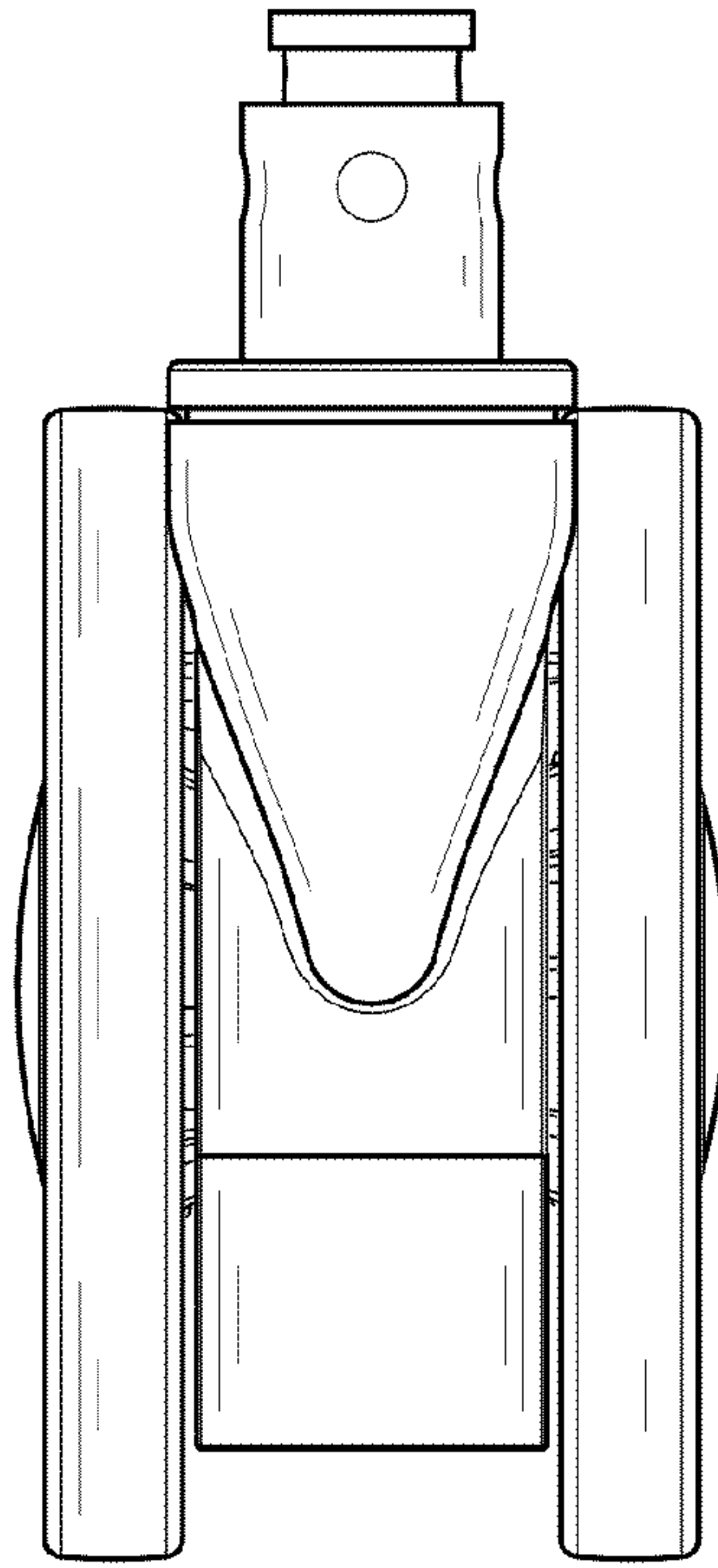


FIG.2

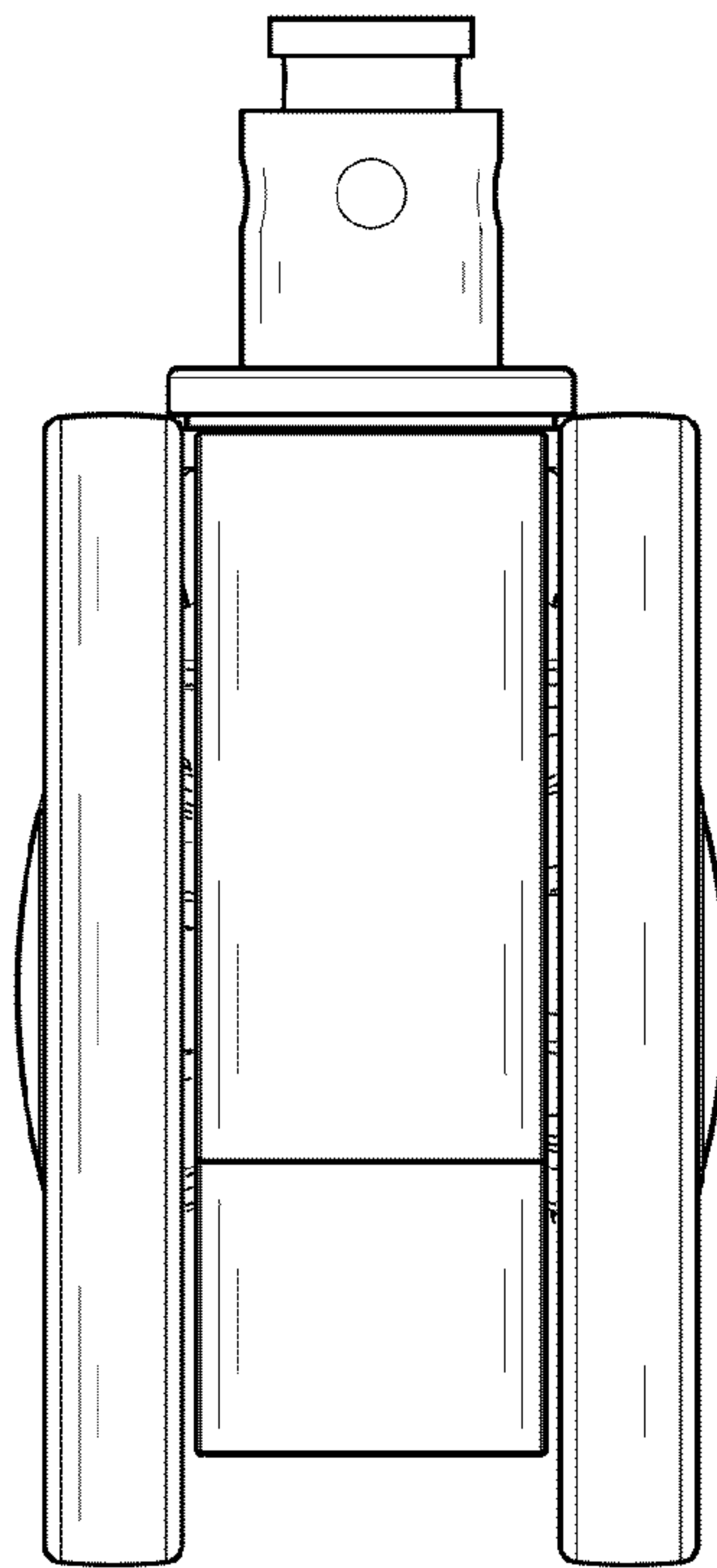


FIG.3

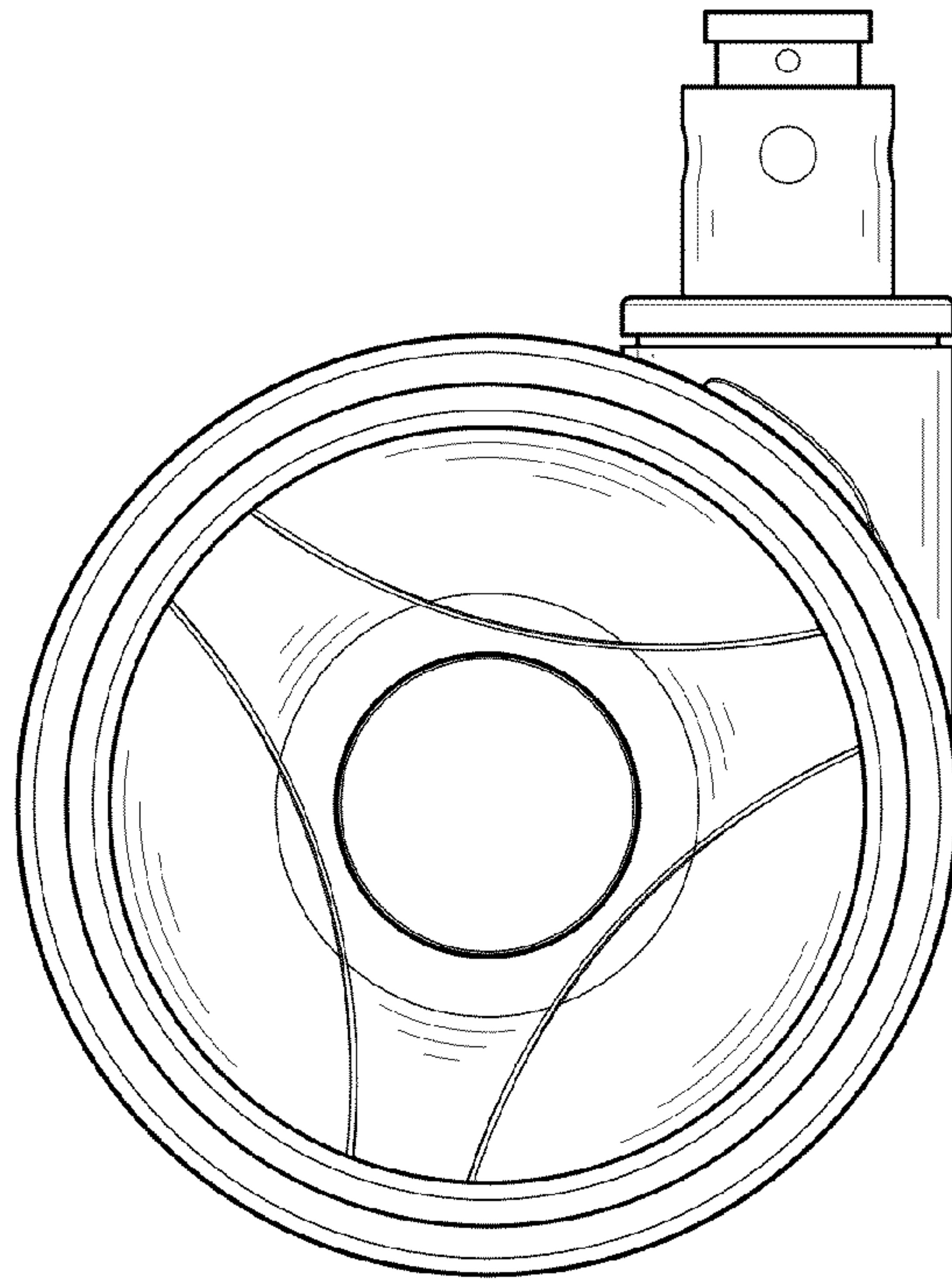


FIG.4

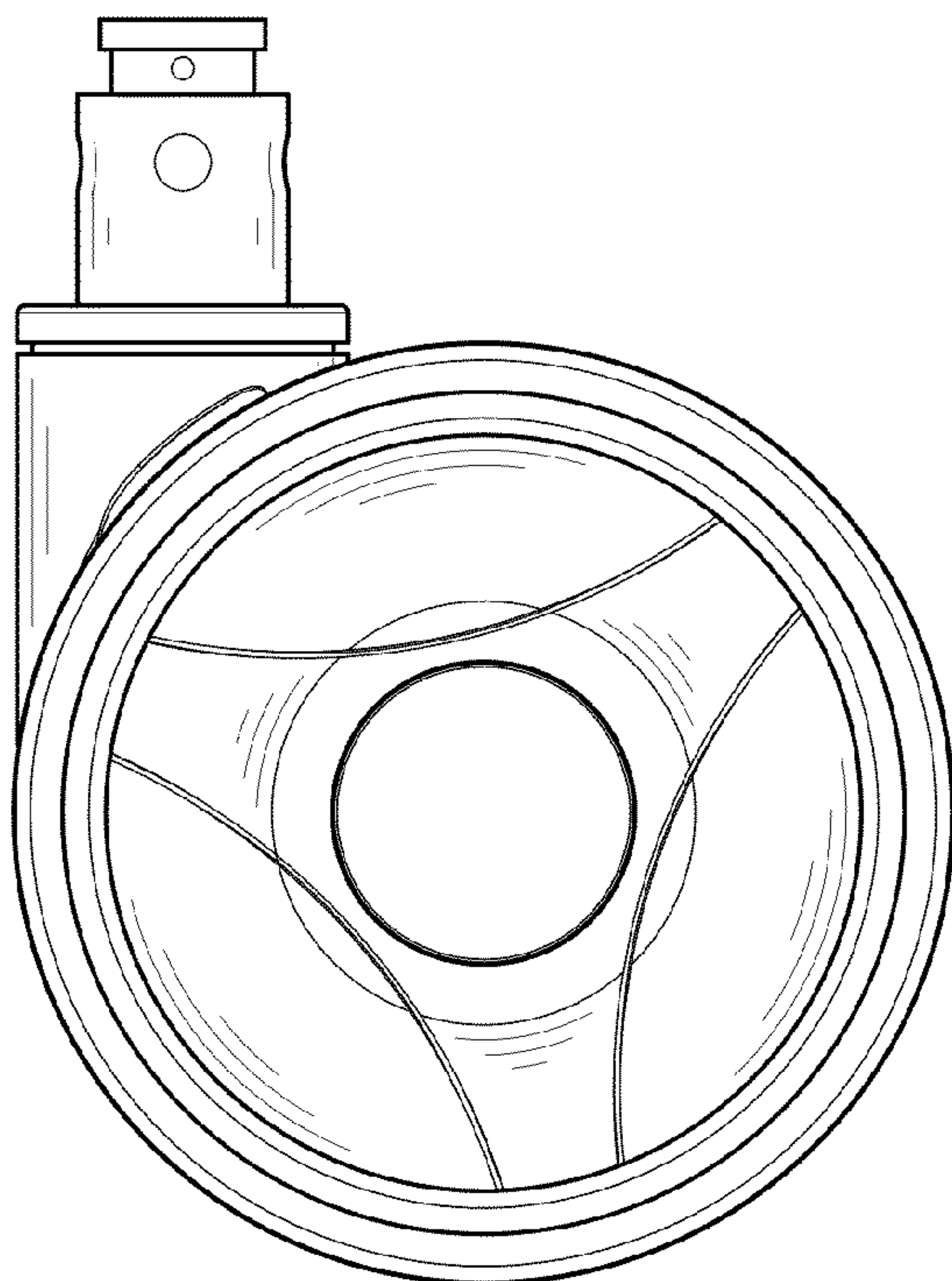


FIG.5



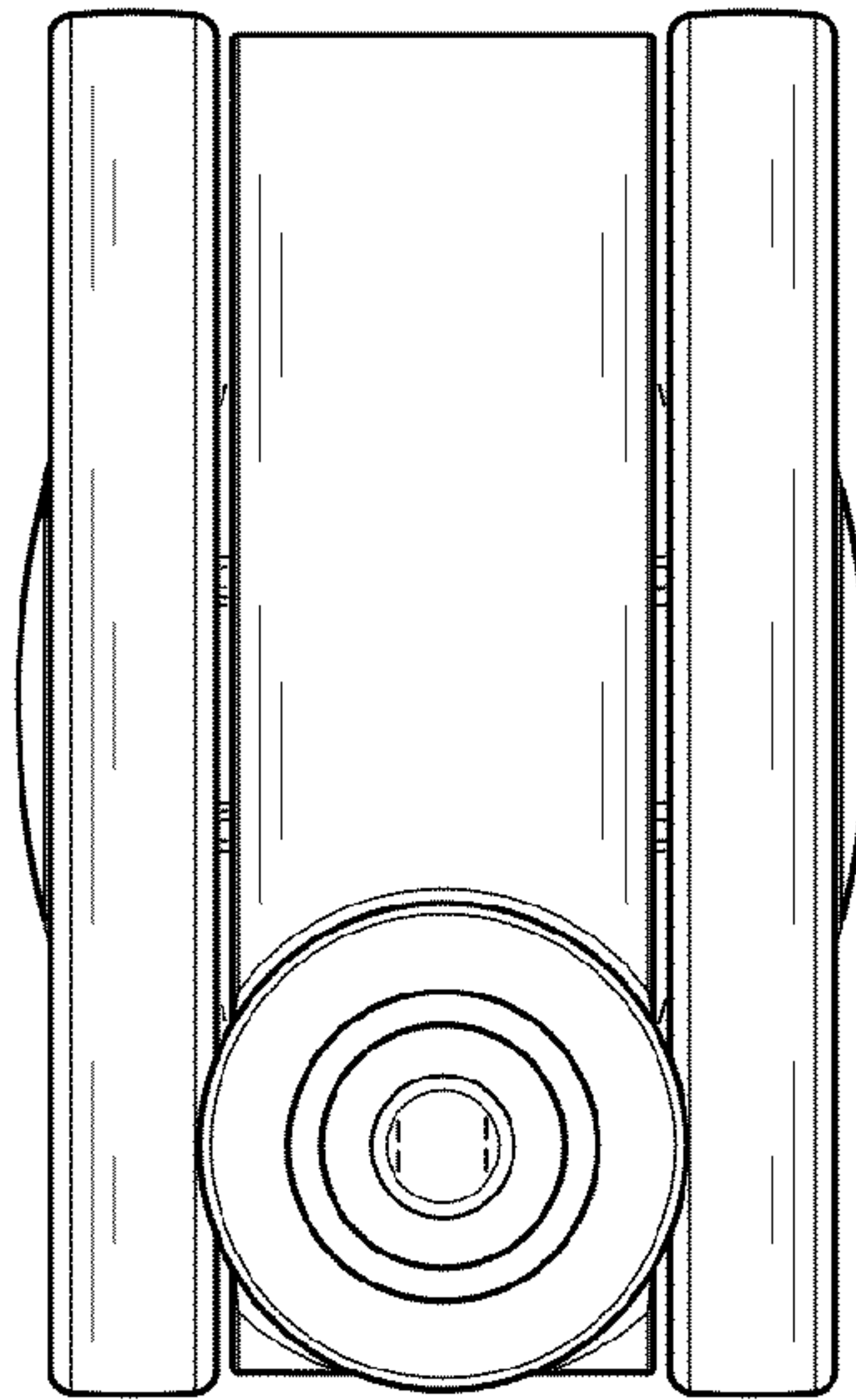


FIG.6

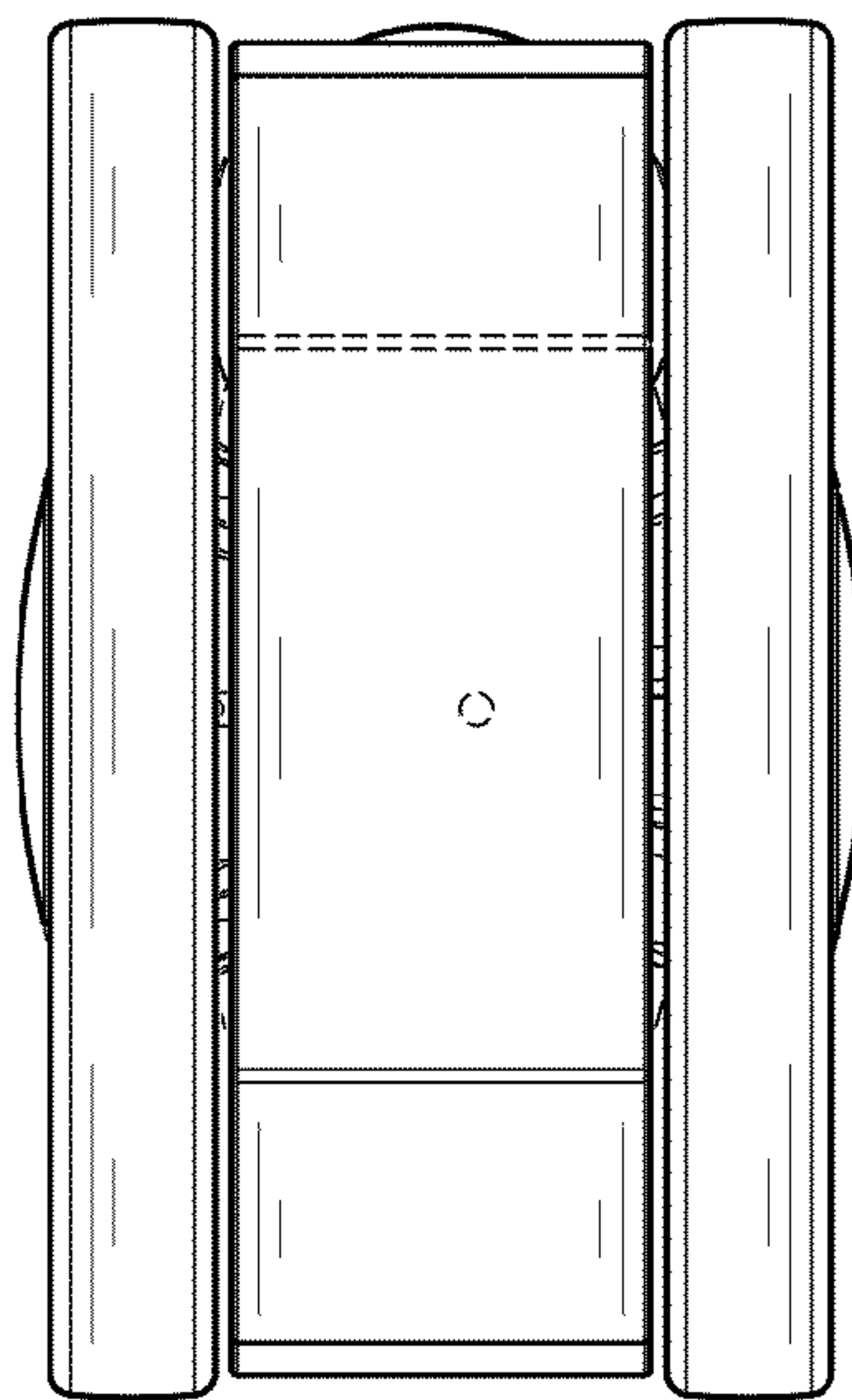


FIG.7