



US00D735021S

(12) **United States Design Patent**  
**Da Cunha et al.**

(10) **Patent No.:** **US D735,021 S**  
(45) **Date of Patent:** **\*\* Jul. 28, 2015**

(54) **CASTER WHEEL**

2,490,560 A \* 12/1949 Urquhart, Jr. .... 244/103 W  
2,634,986 A \* 4/1953 McDaniel ..... 280/489  
2,770,832 A \* 11/1956 Martin ..... 16/35 R

(71) Applicant: **Invacare International Sarl**, Gland  
(CH)

(Continued)

(72) Inventors: **Wifrid Da Cunha**, Druye (FR); **Aurelie Lauret**, Lignieres de Touraine (FR); **Mael Robert**, Tours (FR); **Jean-Michel Roncin**, Tours (FR)

FOREIGN PATENT DOCUMENTS

FR 2845893 4/2004

OTHER PUBLICATIONS

(73) Assignee: **Invacare International Sarl**, Gland  
(CH)

Invacare Corporation, product Catalog, copyright 2004, printed Feb. 18, 2011, 14 pgs.

(Continued)

(\*\*) Term: **14 Years**

(21) Appl. No.: **29/444,303**

*Primary Examiner* — Robert M Spear

*Assistant Examiner* — Eliza Bennett-Hattan

(22) Filed: **Jan. 29, 2013**

(74) *Attorney, Agent, or Firm* — Calfee, Halter & Griswold LLP

(30) **Foreign Application Priority Data**

Jul. 31, 2012 (WO) ..... 683407601

(51) **LOC (10) Cl.** ..... **08-05**

(52) **U.S. Cl.**  
USPC ..... **D8/375**

(58) **Field of Classification Search**  
USPC ..... D24/183; D12/19; 16/31 R, 18 R, 29, 16/35 D, 35 R, 37, 45; D3/318; D34/27  
CPC ..... B60B 33/0002; B60B 33/0049; B60B 33/0042; B60B 33/0068; B60B 33/0057; B60B 33/0073; B60B 33/0028; B60B 33/0039; B60B 33/0021; B60B 33/00; B60B 33/0005; B60B 33/0018; B60B 33/0007; B60B 33/0023; B60B 33/021  
See application file for complete search history.

(57) **CLAIM**

The ornamental design for a caster wheel, as shown and described.

**DESCRIPTION**

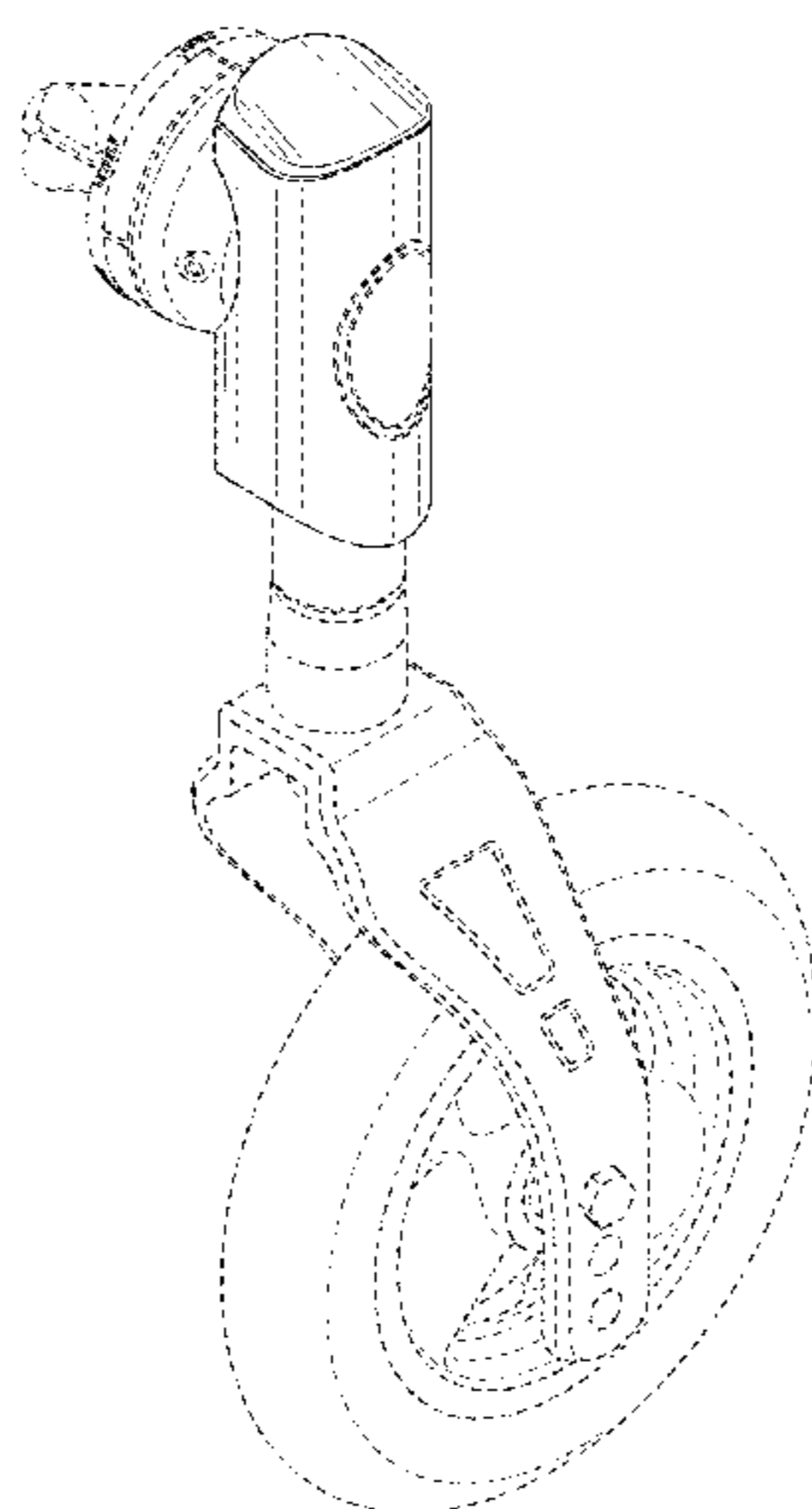
FIG. 1 is a front perspective view of a caster wheel of the new design;  
FIG. 2 is a front elevational view of the caster wheel of FIG. 1;  
FIG. 3 is a rear elevational view of the caster wheel of FIG. 1;  
FIG. 4 is a right side elevational view of the caster wheel of FIG. 1;  
FIG. 5 is a left side elevational view of the caster wheel of FIG. 1;  
FIG. 6 is a top plan view of the caster wheel of FIG. 1; and, FIG. 7 is a bottom plan view of the caster wheel of FIG. 1. The portions of the Figures shown in broken lines depict environmental subject matter only and form no part of the claimed design.

(56) **References Cited**

U.S. PATENT DOCUMENTS

D114,527 S \* 5/1939 Boden ..... D8/375  
2,181,722 A \* 11/1939 Butter et al. .... 16/31 R  
2,481,948 A \* 9/1949 Pruitt ..... 280/82

**1 Claim, 7 Drawing Sheets**



(56)

References Cited

U.S. PATENT DOCUMENTS

3,718,942 A \* 3/1973 Arenson ..... 16/37  
 D231,801 S 6/1974 Pivacek  
 3,865,427 A 2/1975 Delany  
 4,025,112 A 5/1977 Hale  
 4,592,570 A 6/1986 Nassiri  
 4,721,321 A 1/1988 Haury et al.  
 4,793,022 A \* 12/1988 Raffaelli ..... 16/45  
 4,961,610 A 10/1990 Reeder et al.  
 5,018,788 A 5/1991 Cedergreen  
 5,033,792 A 7/1991 Kanazawa  
 5,160,156 A 11/1992 Mendon  
 5,176,393 A 1/1993 Robertson et al.  
 D333,737 S 3/1993 Adams  
 D337,289 S 7/1993 Constantine et al.  
 D339,315 S 9/1993 Lindkvist et al.  
 D341,344 S 11/1993 Counts et al.  
 5,275,466 A 1/1994 Rentchler, Jr.  
 5,366,037 A 11/1994 Richey  
 5,421,692 A 6/1995 Varrichio et al.  
 5,427,398 A 6/1995 Weybrecht  
 D365,786 S 1/1996 Peterson  
 D365,787 S 1/1996 Peterson et al.  
 D365,788 S 1/1996 Peterson  
 D380,991 S 7/1997 Deming  
 5,820,221 A 10/1998 Greaves et al.  
 D401,540 S 11/1998 Yamamoto  
 D412,141 S 7/1999 Dickie et al.  
 D414,453 S 9/1999 Tsai  
 6,003,891 A 12/1999 Broadhead  
 6,015,190 A 1/2000 Wend  
 D427,949 S 7/2000 Schlangen  
 D431,502 S 10/2000 Schlangen  
 D433,968 S 11/2000 Mascari et al.  
 6,202,773 B1 3/2001 Richey, II et al.  
 6,352,273 B1 3/2002 Dickie  
 D455,376 S 4/2002 Lindenkamp  
 6,386,638 B1 5/2002 Strauch  
 6,425,597 B1 7/2002 Peterson  
 D462,639 S 9/2002 Lin  
 6,459,962 B2 10/2002 Ulrich et al.  
 D468,669 S 1/2003 Hopely, Jr.  
 D477,261 S 7/2003 Lin  
 6,615,937 B2 9/2003 Richey, II et al.  
 6,669,299 B2 12/2003 Carlson et al.  
 D486,762 S 2/2004 He  
 D491,115 S 6/2004 Taylor  
 D491,494 S 6/2004 Lippert  
 D494,110 S 8/2004 Cheng  
 6,926,106 B2 8/2005 Richey, II et al.  
 6,938,923 B2 9/2005 Mulhern et al.  
 D521,909 S 5/2006 Gillett et al.  
 7,040,429 B2 5/2006 Molnar  
 D523,788 S 6/2006 Jones et al.  
 D524,196 S 7/2006 You  
 D529,844 S 10/2006 Chen et al.  
 D536,187 S 2/2007 Goebert et al.  
 D536,887 S 2/2007 Goebert et al.  
 D540,221 S 4/2007 Cartellone et al.  
 7,204,556 B2 4/2007 Schwerdtner et al.  
 7,229,132 B2 6/2007 Meeker et al.  
 7,231,689 B2 \* 6/2007 Scheiber et al. .... 16/19  
 D559,741 S 1/2008 Lasher, III  
 7,353,566 B2 \* 4/2008 Scheiber et al. .... 16/19  
 D569,769 S 5/2008 Chiu et al.  
 7,370,876 B2 5/2008 Hsu et al.  
 7,413,045 B2 8/2008 Tien  
 7,472,959 B1 1/2009 Ratza et al.  
 D585,794 S 2/2009 Lin  
 D588,051 S 3/2009 Moller et al.  
 D589,411 S 3/2009 Brown et al.  
 D590,304 S 4/2009 Kruse  
 D608,550 S 1/2010 Sollberger et al.  
 D614,541 S 4/2010 Storm  
 7,694,991 B2 4/2010 Mills et al.  
 D615,461 S 5/2010 Storm

D622,641 S 8/2010 Chen et al.  
 D632,229 S 2/2011 Kruse  
 D642,499 S 8/2011 Tuckowski et al.  
 D642,500 S 8/2011 Tuckowski et al.  
 8,065,051 B2 11/2011 Chopcinski et al.  
 8,073,588 B2 12/2011 Peters et al.  
 D652,357 S 1/2012 Jurkiewicz et al.  
 D653,176 S 1/2012 Jurkiewicz et al.  
 D654,408 S 2/2012 Spalding et al.  
 D656,070 S 3/2012 Spalding et al.  
 2001/0013437 A1 8/2001 Husted et al.  
 2003/0056329 A1 3/2003 Coman et al.  
 2004/0239169 A1 12/2004 De Nichilo  
 2006/0082098 A1 4/2006 Harris  
 2007/0107963 A1 5/2007 Chiu  
 2007/0195081 A1 8/2007 Fischer  
 2008/0087481 A1 4/2008 Gry  
 2009/0172915 A1 \* 7/2009 Hunziker ..... 16/46  
 2010/0212108 A1 \* 8/2010 Yang et al. .... 16/45  
 2011/0131761 A1 \* 6/2011 Campbell ..... 16/35 D

OTHER PUBLICATIONS

Invacare Corporation, At'm (Take Along Chair), 2 page brochure, copyright 2009.  
 Invacare Corporation, FDX Front-Wheel Drive Power Wheelchair, 4 page brochure, copyright 2010.  
 Invacare Corporation, Nutron R51, 2 page brochure, copyright 2006.  
 Invacare Corporation, P9000 XDT, 2 page brochure, copyright 2007.  
 Invacare Corporation, Pronto M51, 4 page brochure, copyright 2010.  
 Invacare Corporation, Pronto M51 with Formula CG Seating, 2 page web printout, printed Feb. 18, 2011.  
 Invacare Corporation, The New TDX Family, 26 page brochure, copyright 2008.  
 Invacare Corporation, Storm Series, 16 page brochure, copyright 2010.  
 Invacare Corporation, User Manual, FDX Power Wheelchair Base FDX, FDX-CG, FDX-MCG, 96 pgs., Rev A, Sep. 2010. copyright 2010.  
 Invacare Corporation, Operator and Maintenance Manuel, Pronto M51 and M561 with SureStep, 80 pgs., Rev. J—Oct. 2008, copyright 2008.  
 International Search Report and Written Opinion from PCT/US2011/28626, dated May 20, 2011.  
 Invacare Corporation, Product Brochure, "IVC" Standard Manual Wheelchairs, 30 pages; Form No. 00-261; Rev. Apr. 2011.  
 Invacare Corporation—Product Catalog, Tilt-in-Space, website printout; [http://invacare.com/cgi-bin/imhqprd/inv\\_catalog/prod\\_cat.jsp?catOID=536885269](http://invacare.com/cgi-bin/imhqprd/inv_catalog/prod_cat.jsp?catOID=536885269); 2 pages; copyright 2013.  
 Invacare Corporation—Product Catalog, IVC Manual Wheelchairs; website printout: [http://invacare.com/cgi-bin/imhqprd/Inv\\_catalog/prod\\_cat.jsp?catOID=536885295](http://invacare.com/cgi-bin/imhqprd/Inv_catalog/prod_cat.jsp?catOID=536885295), 3 pages; copyright 2013.  
 Invacare Corporation—Product Catalog, Custom Manual Wheelchairs; website printout: [http://invacare.com/cgi-bin/imhqprd/inv\\_catalog/prod\\_cat.jsp?catOID=536885343](http://invacare.com/cgi-bin/imhqprd/inv_catalog/prod_cat.jsp?catOID=536885343); 1 page; copyright 2013.  
 Invacare Corporation—Product Catalog, Top End Everyday Chairs; website printout: [http://invacare.com/cgi-bin/imhqprd/inv\\_catalog/prod\\_cat.jsp?catOID=536885323](http://invacare.com/cgi-bin/imhqprd/inv_catalog/prod_cat.jsp?catOID=536885323); 2 pages; copyright 2013.  
 Invacare Corporation—Product Catalog, IVC Manual; website printout: [http://invacare.com/cgi-bin/imhqprd/inv\\_catalog/prod\\_cat.jsp?s=\)&sideButCatEdn...](http://invacare.com/cgi-bin/imhqprd/inv_catalog/prod_cat.jsp?s=)&sideButCatEdn...); 3 pages; copyright 2013.  
 Invacare Corporation—Product Brochure; The Rea Focus; EU-May 2012; 6 pages.  
 Invacare Corporation—Product Brochure; Rea Spirea 2-EU-Jun. 2011; 4 pages.  
 Invacare Corporation—Product Brochure; The Invacare Spin; SpinX-EU-Jun. 2011; 4 pages.  
 Invacare Corporation—Product Brochure; The Invacare Topaz; Topaz-EU-Jun. 2011; 2 pages.  
 Invacare Corporation—Product Brochure; The Invacare Alu Lite; Alu Lite-EU-Jun. 2011; 2 pages.  
 Invacare Corporation; "Action NG Family Accessories Brochure"; The Invacare Action NG; The changing face of mobility; Action NG Accessories-EU-May 2012; 8 pages.



(56)

**References Cited**

Invacare Corporation: "Spirea4 NG"; Rea Spirea4ND-EU-Jun. 2011.

OTHER PUBLICATIONS

Invacare Corporation; "Action 1 NG"; EU-Nov. 2012; 4 pages.

\* cited by examiner

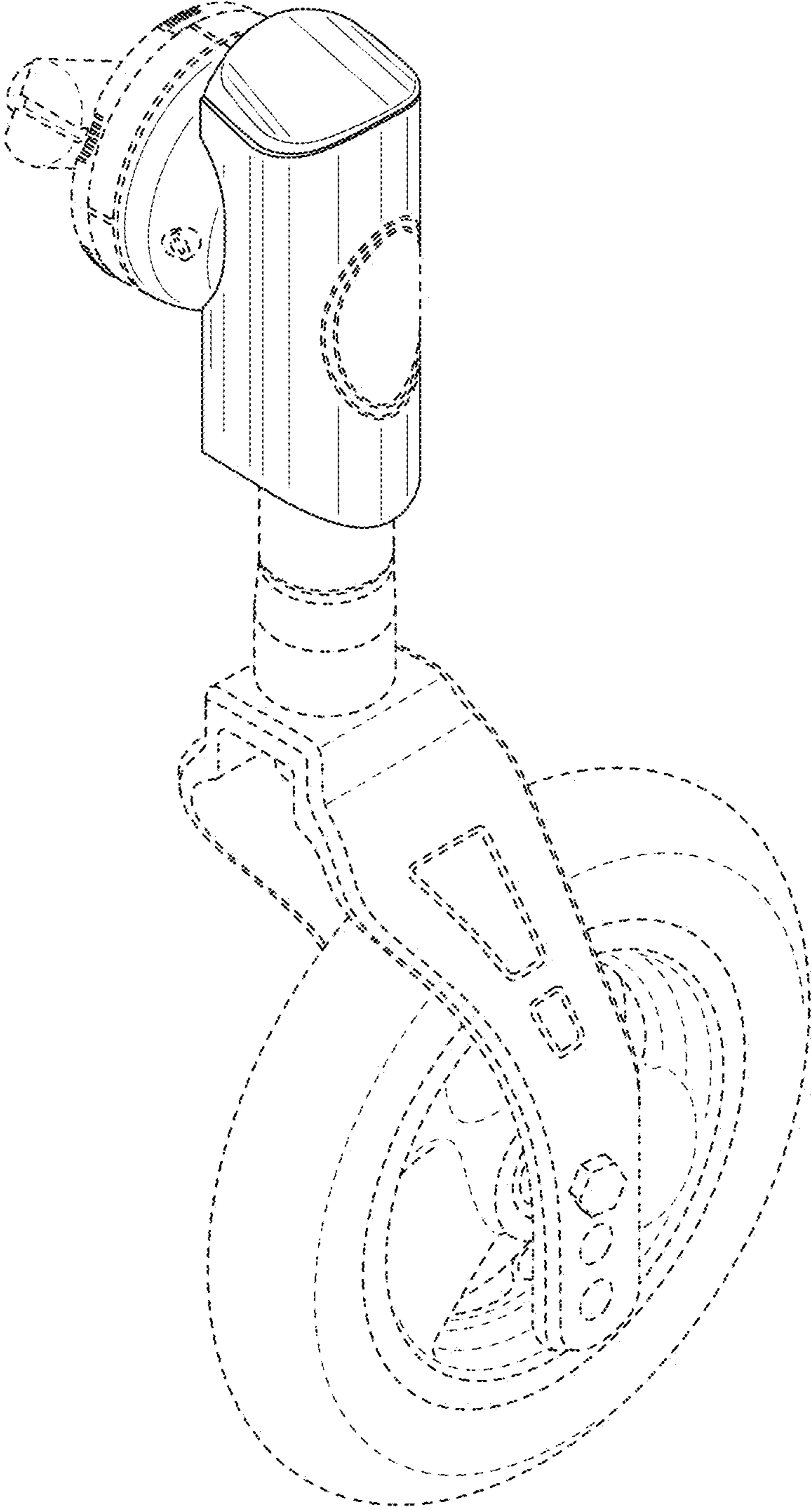


FIG. 1

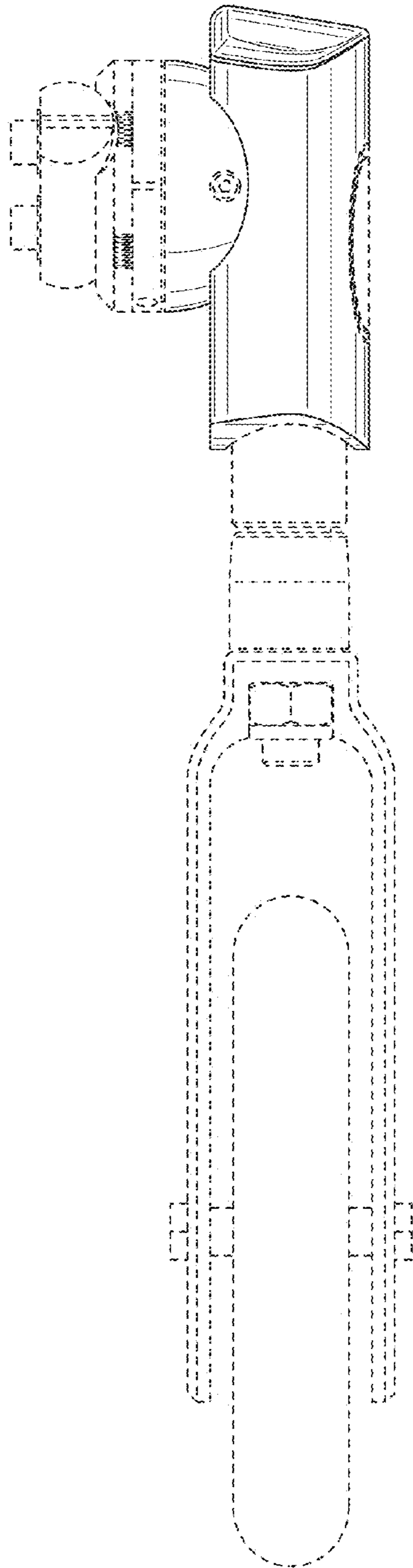


FIG. 2

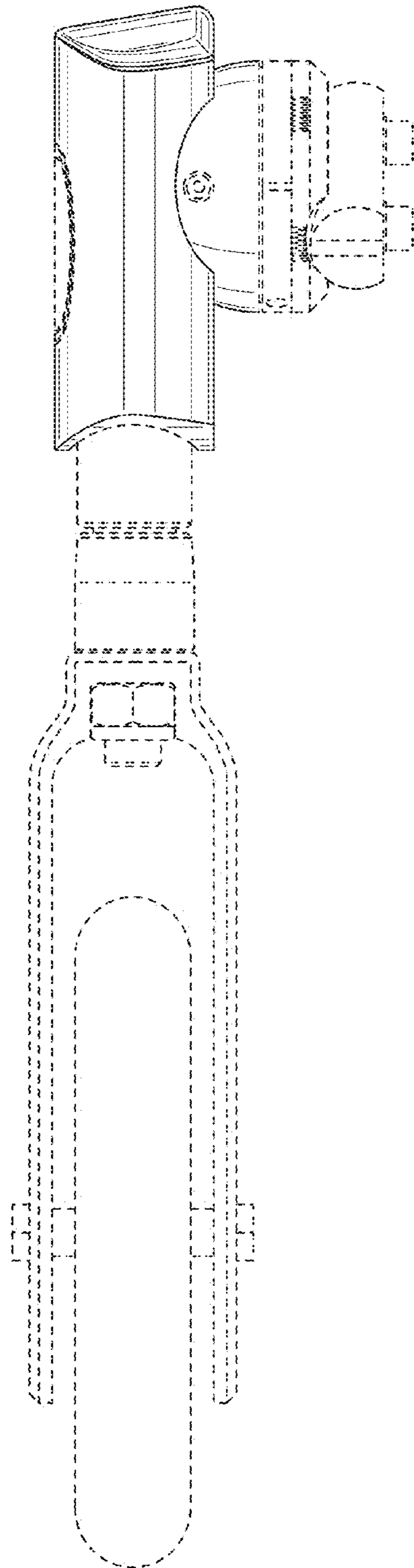


FIG. 3

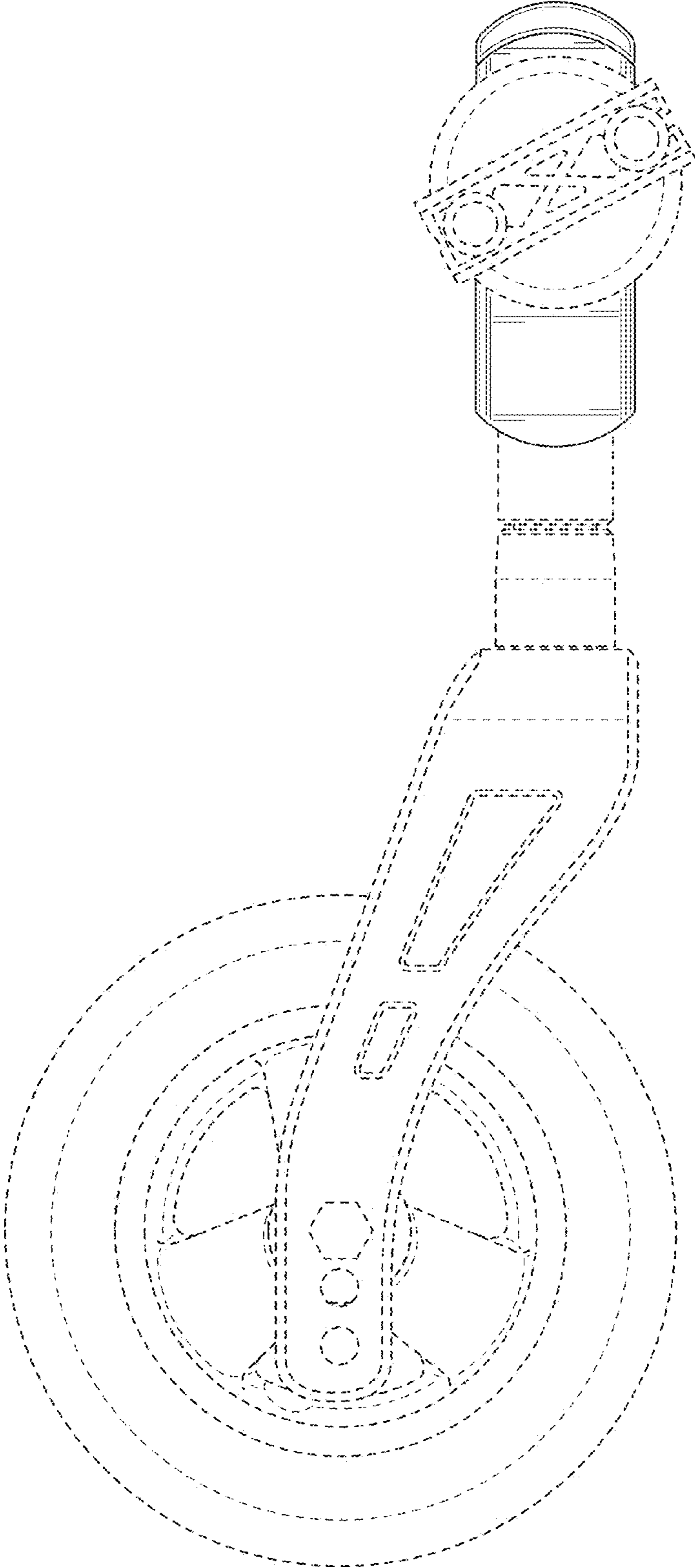


FIG. 4

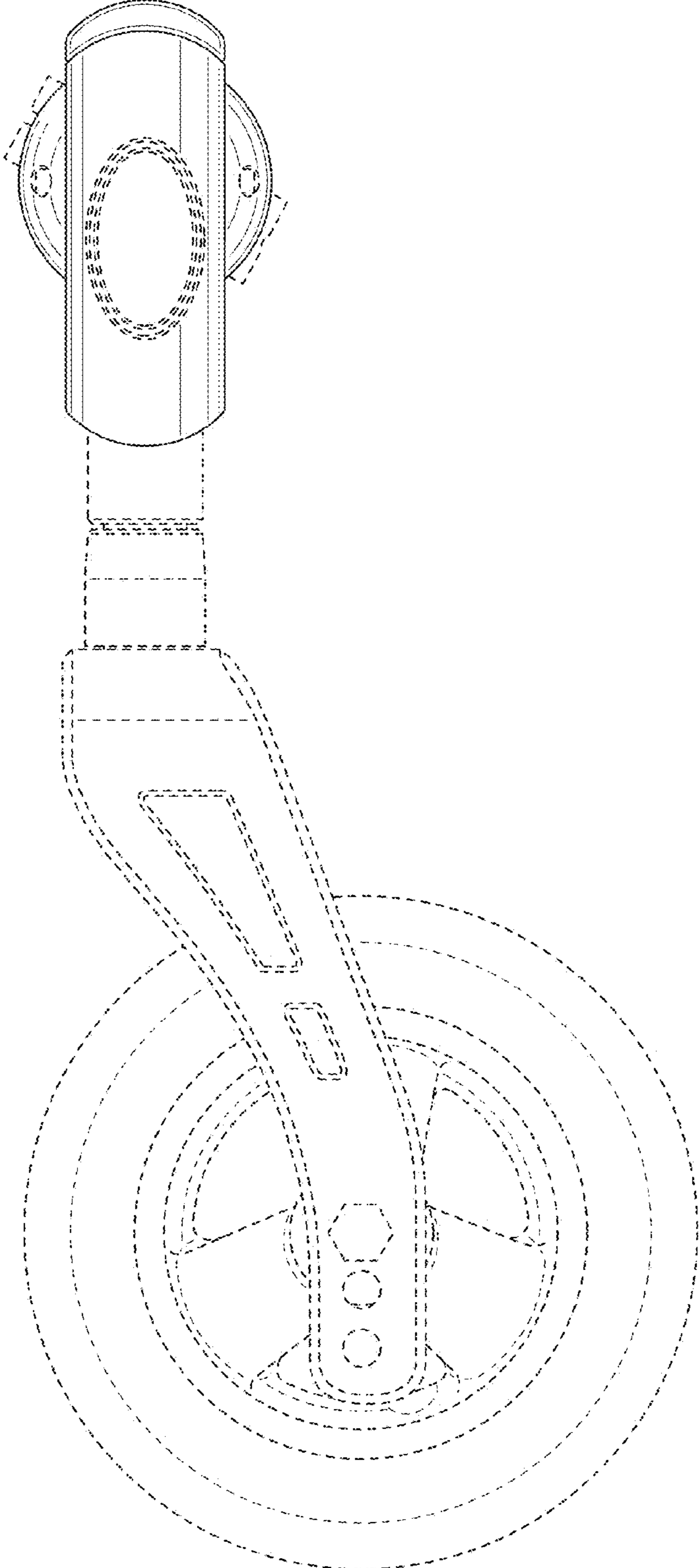


FIG. 5



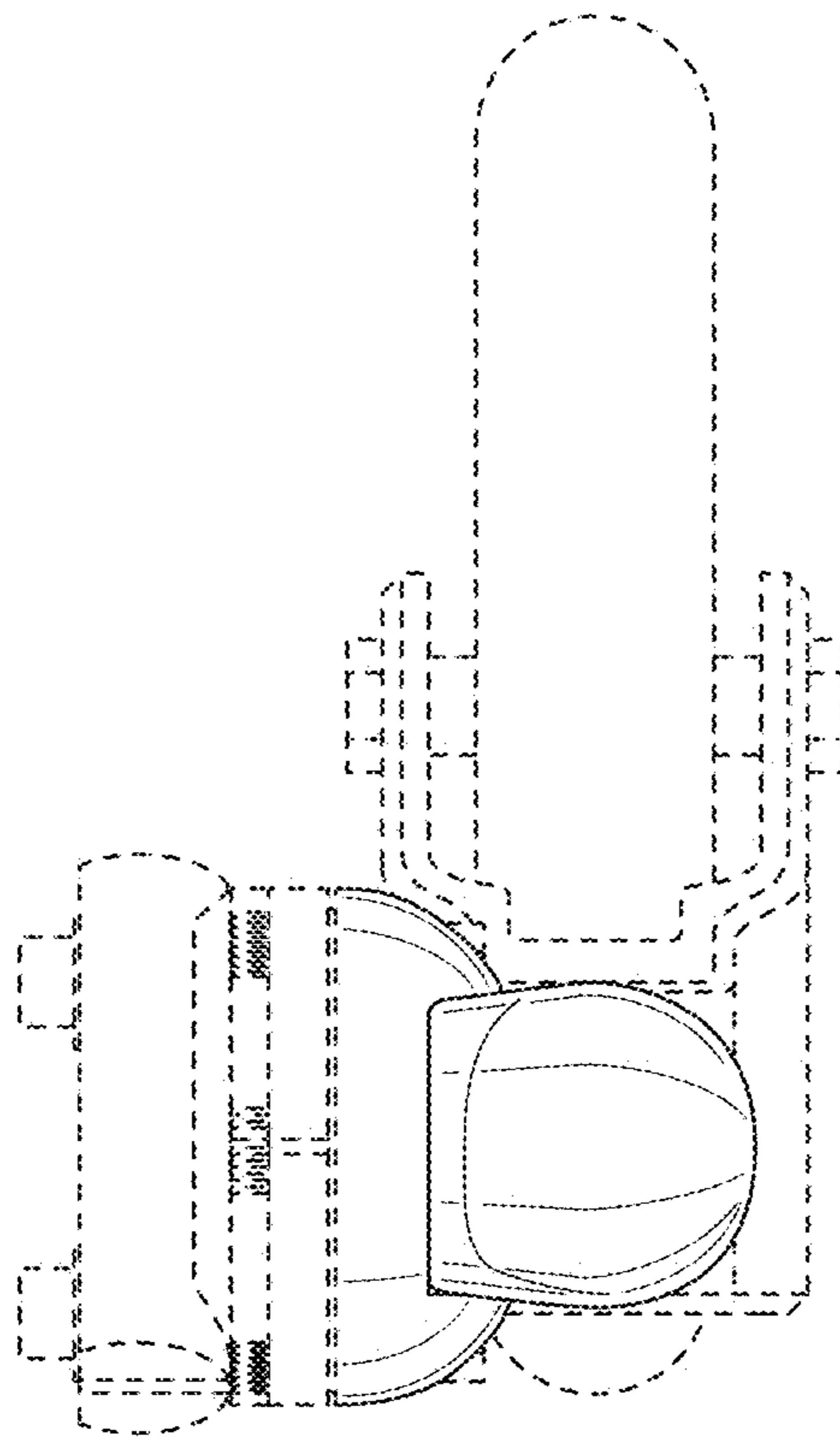


FIG. 6

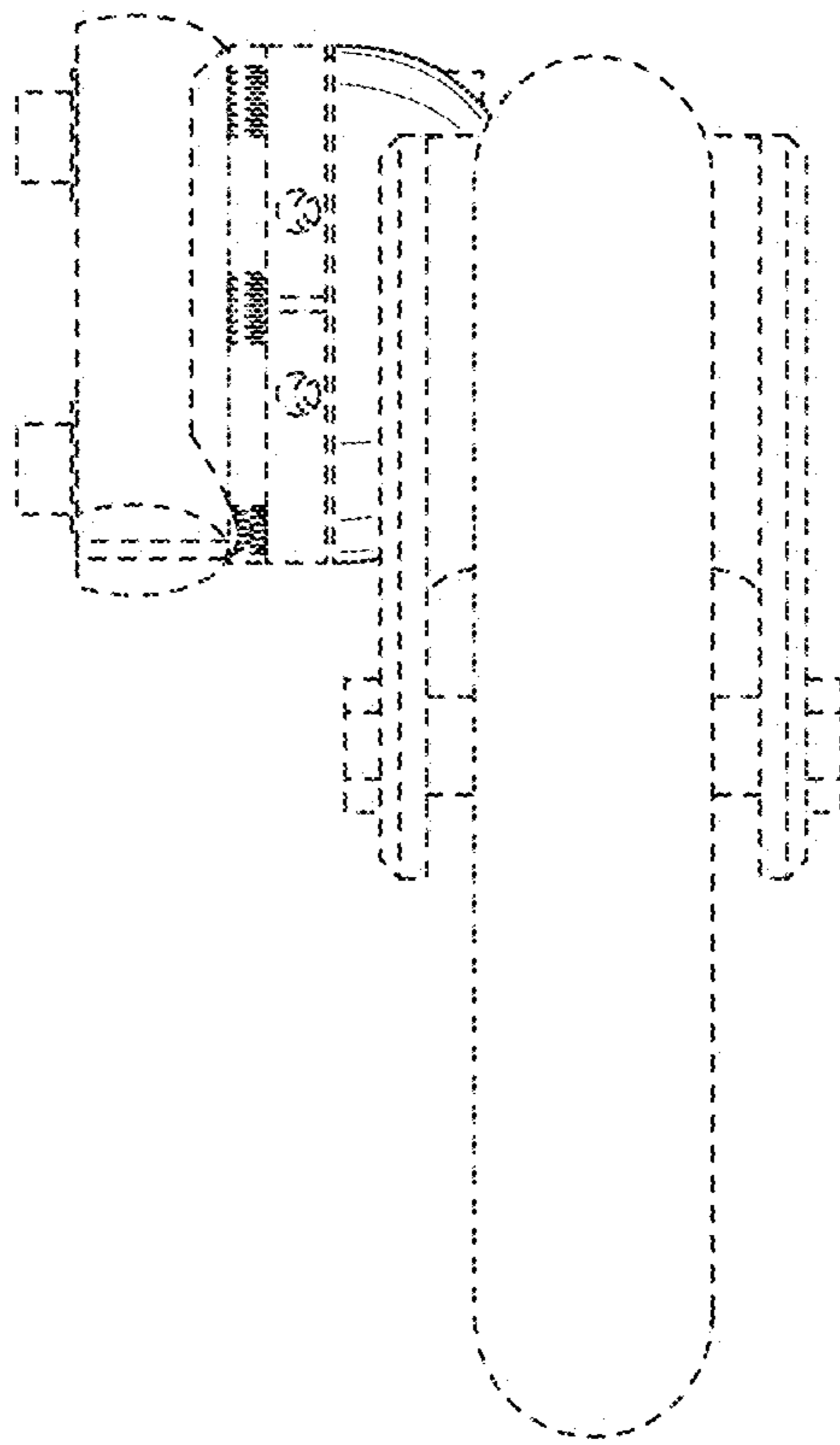


FIG. 7