



US00D735019S

(12) **United States Design Patent**
Thomas

(10) **Patent No.:** **US D735,019 S**
(45) **Date of Patent:** **** Jul. 28, 2015**

(54) **LOCKING LATCH**

(71) Applicant: **Lehigh Consumer Products LLC**,
Macungie, PA (US)

(72) Inventor: **Steven Thomas**, Chicago, IL (US)

(73) Assignee: **Lehigh Consumer Products LLC**,
Macungie, PA (US)

(**) Term: **14 Years**

(21) Appl. No.: **29/495,353**

(22) Filed: **Jun. 30, 2014**

(51) **LOC (10) Cl.** **08-05**

(52) **U.S. Cl.**
USPC **D8/356**

(58) **Field of Classification Search**
USPC D8/367, 356, 371, 373, 354, 355, 349;
D6/323; D3/24; 248/215, 301, 339,
248/349.1; 160/349.2; 24/265 H, 265 R,
24/599.1, 599.8, 113 R, 573.5; 294/82.18;
29/525.1, 45.3; 223/106; D14/432,
D14/140, 217
CPC A45F 3/00; A63B 27/00
See application file for complete search history.

(56) **References Cited**

U.S. PATENT DOCUMENTS

4,095,316	A *	6/1978	Gabriel	24/599.1
D375,252	S *	11/1996	Serra Fabregas	D8/356
D527,988	S *	9/2006	Shetler	D8/356
D565,392	S *	4/2008	Shetler	D8/356
D622,132	S *	8/2010	DeMars et al.	D8/356
D631,331	S *	1/2011	Kelleghan	D8/356
D655,999	S *	3/2012	Kelleghan	D8/356
D668,528	S *	10/2012	Chung	D8/356
D684,452	S *	6/2013	Petzl	D8/356
D708,046	S *	7/2014	Petzl	D8/356
2008/0209700	A1 *	9/2008	Goldberg	24/599.6

* cited by examiner

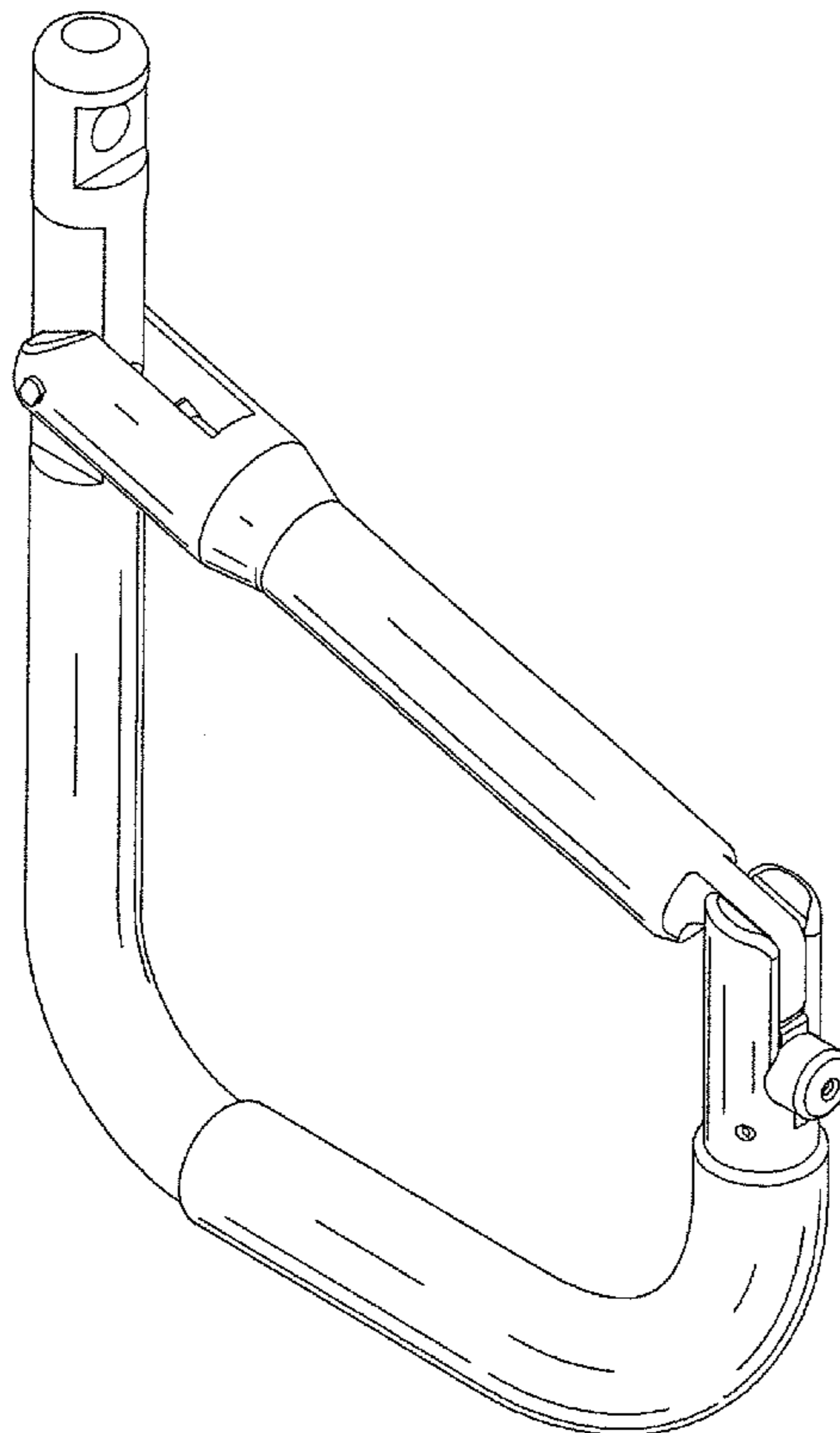
Primary Examiner — Cynthia Underwood
(74) *Attorney, Agent, or Firm* — Lawrence J. Shurupoff

(57) **CLAIM**
The ornamental design for the locking latch, as shown and described.

DESCRIPTION

FIG. 1 is a left front perspective view of the locking latch;
FIG. 2 is a left side view thereof;
FIG. 3 is a front view thereof;
FIG. 4 is a right side view thereof;
FIG. 5 is a back view thereof;
FIG. 6 is a top view thereof; and,
FIG. 7 is a bottom view thereof.

1 Claim, 4 Drawing Sheets



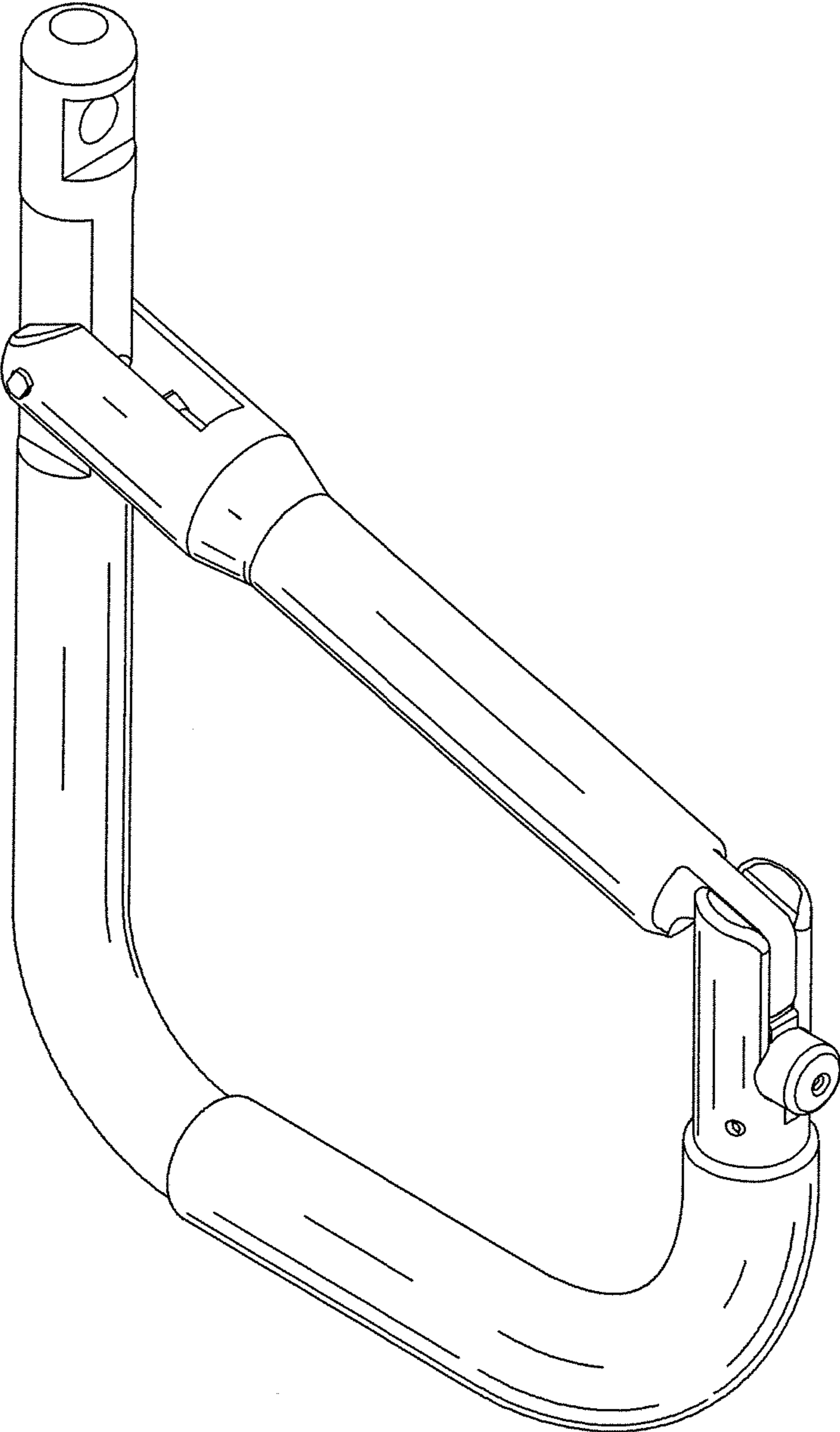


FIG 1

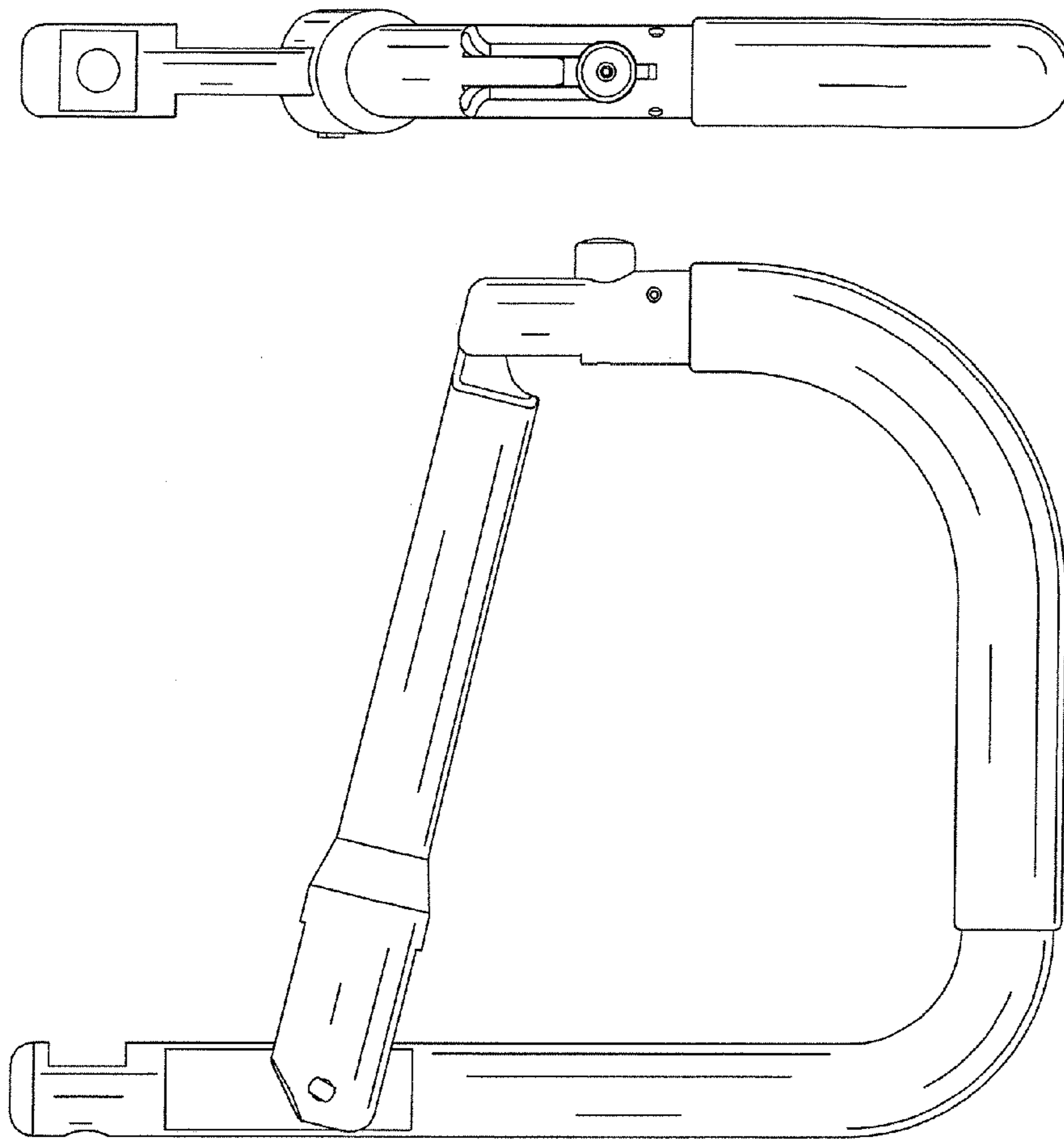


FIG 3

FIG 2

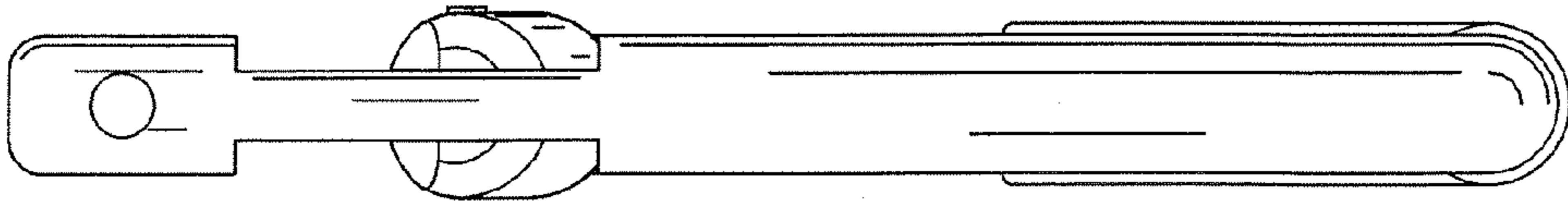


FIG 5

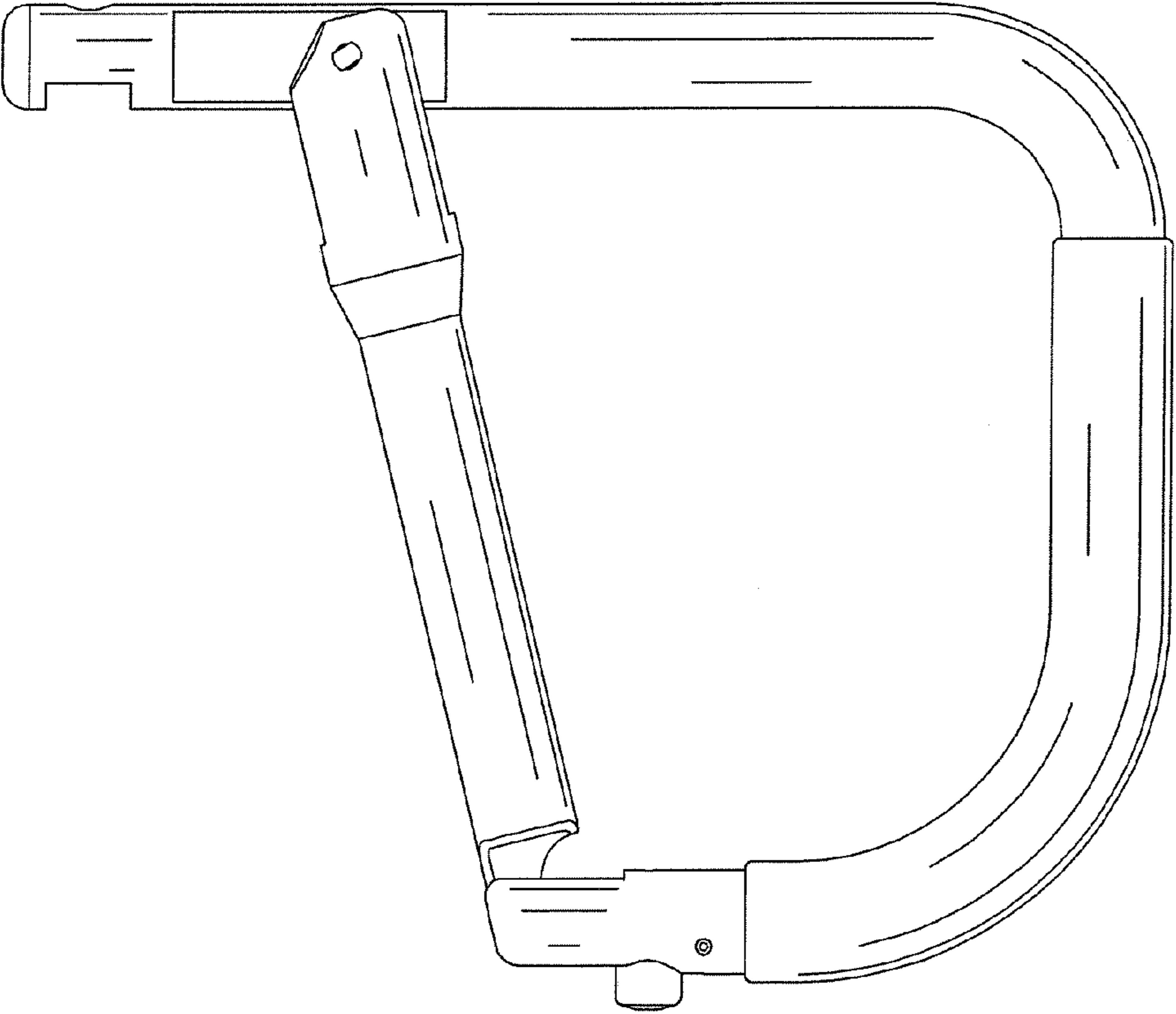


FIG 4

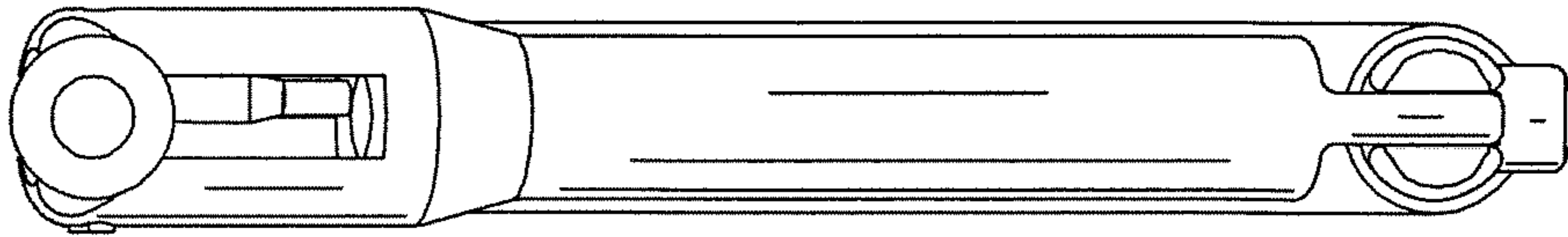


FIG 6

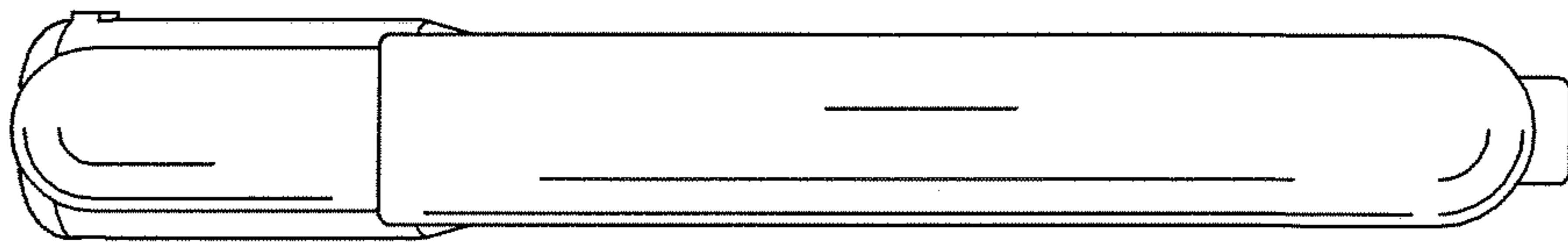


FIG 7