



US00D735017S

(12) **United States Design Patent**
Längle

(10) **Patent No.:** **US D735,017 S**
(45) **Date of Patent:** **** Jul. 28, 2015**

- (54) **FASTENING BRACKET**
- (71) Applicant: **LangleGlas GmbH, Götzis (AT)**
- (72) Inventor: **Oswin Längle, Götzis (AT)**
- (73) Assignee: **LÄNGLEGLASS GMBH, Götzis (AT)**
- (**) Term: **14 Years**
- (21) Appl. No.: **29/492,988**
- (22) Filed: **Jun. 4, 2014**

(30) **Foreign Application Priority Data**
 Feb. 14, 2014 (EM) 002405134-0002

- (51) **LOC (10) Cl.** **08-05**
- (52) **U.S. Cl.**
USPC **D8/355**
- (58) **Field of Classification Search**
USPC D8/330, 349, 350, 354, 355, 356, 363,
D8/367, 382, 383; D12/185; D17/9;
D25/119; D6/85, 114, 137; 248/58, 62,
248/72, 200, 201, 205.1, 207, 214, 229,
248/300; 73/493, 627, 628, 632, 649
See application file for complete search history.

- (56) **References Cited**
U.S. PATENT DOCUMENTS
- | | | | |
|--------------|--------|----------------------|---------|
| D250,897 S * | 1/1979 | Potts | D24/232 |
| D257,810 S * | 1/1981 | Wilson | D6/556 |
| D265,285 S * | 7/1982 | Englert, Jr. | D8/354 |
| D297,112 S * | 8/1988 | Holdaway | D8/395 |
| D393,998 S * | 5/1998 | Anderson | D8/394 |
| D407,010 S * | 3/1999 | Sobczynski | D8/354 |
| D408,266 S * | 4/1999 | Santiago | D8/354 |
| D438,778 S * | 3/2001 | Ribe | D8/354 |
| D442,065 S * | 5/2001 | Rohde | D8/356 |
| D461,710 S * | 8/2002 | Heltzer | D8/395 |
| D470,395 S * | 2/2003 | Valiulis et al. | D8/373 |

- | | | | |
|--------------|---------|-----------------------|---------|
| D504,609 S * | 5/2005 | Ferguson | D8/380 |
| D513,171 S * | 12/2005 | Richardson | D8/394 |
| D519,543 S * | 4/2006 | Walker et al. | D17/9 |
| D554,772 S * | 11/2007 | Bullock | D25/119 |
| D556,016 S * | 11/2007 | Curtas | D8/354 |
| D589,337 S * | 3/2009 | Karlsson | D8/394 |
| D601,880 S * | 10/2009 | Veilleux | D8/367 |
| D607,711 S * | 1/2010 | Adams et al. | D8/354 |
| D609,553 S * | 2/2010 | Koizumi | D8/354 |
| D616,276 S * | 5/2010 | Friegang | D8/72 |
| D622,131 S * | 8/2010 | Tezak et al. | D8/349 |
| D643,281 S * | 8/2011 | Roberts | D8/394 |
| D660,133 S * | 5/2012 | Yoder et al. | D8/354 |
| D666,894 S * | 9/2012 | Bombino et al. | D8/354 |
| D669,766 S * | 10/2012 | Mirer et al. | D8/367 |
| D687,698 S * | 8/2013 | Machijima et al. | D8/354 |
| D695,091 S * | 12/2013 | Nunez Farfan | D8/354 |
| D695,173 S * | 12/2013 | Sperry | D12/185 |
| D695,592 S * | 12/2013 | White | D8/354 |
| D702,532 S * | 4/2014 | Garrido et al. | D8/354 |

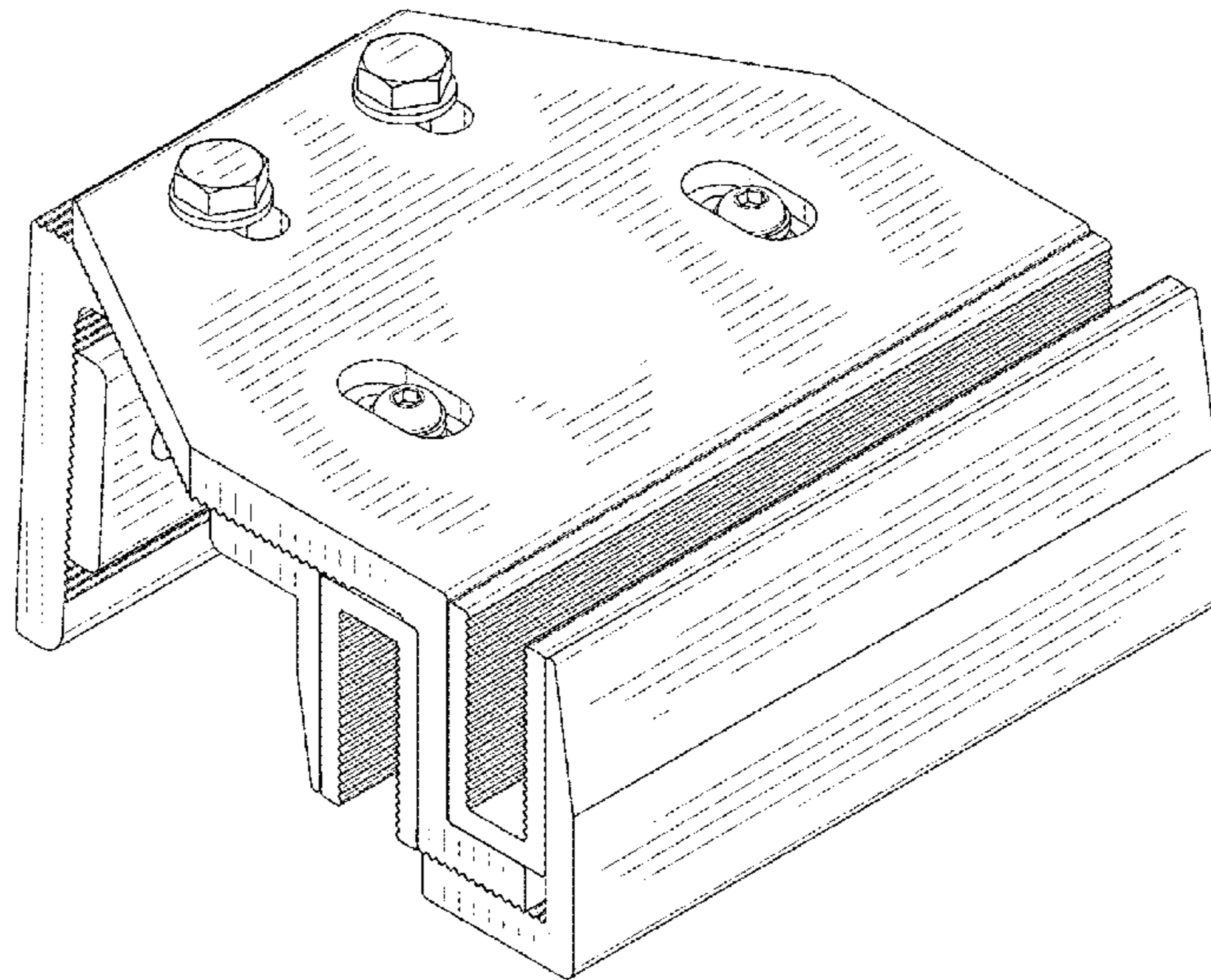
* cited by examiner

Primary Examiner — Mark Goodwin
(74) *Attorney, Agent, or Firm* — Epstein Drangel LLP;
Robert L. Epstein

(57) **CLAIM**
The ornamental design for a fastening bracket, substantially as shown and described.

DESCRIPTION
FIG. 1 is a perspective view showing the top, front and left side view of a fastening bracket showing my new design;
FIG. 2 is a perspective view showing the bottom, front and left side of my design;
FIG. 3 is a left side view of my design;
FIG. 4 is a right side view of my design;
FIG. 5 is a rear view of my design;
FIG. 6 is a front view of my design;
FIG. 7 is a top plan view of my design; and,
FIG. 8 is a bottom plan view of my design.

1 Claim, 4 Drawing Sheets



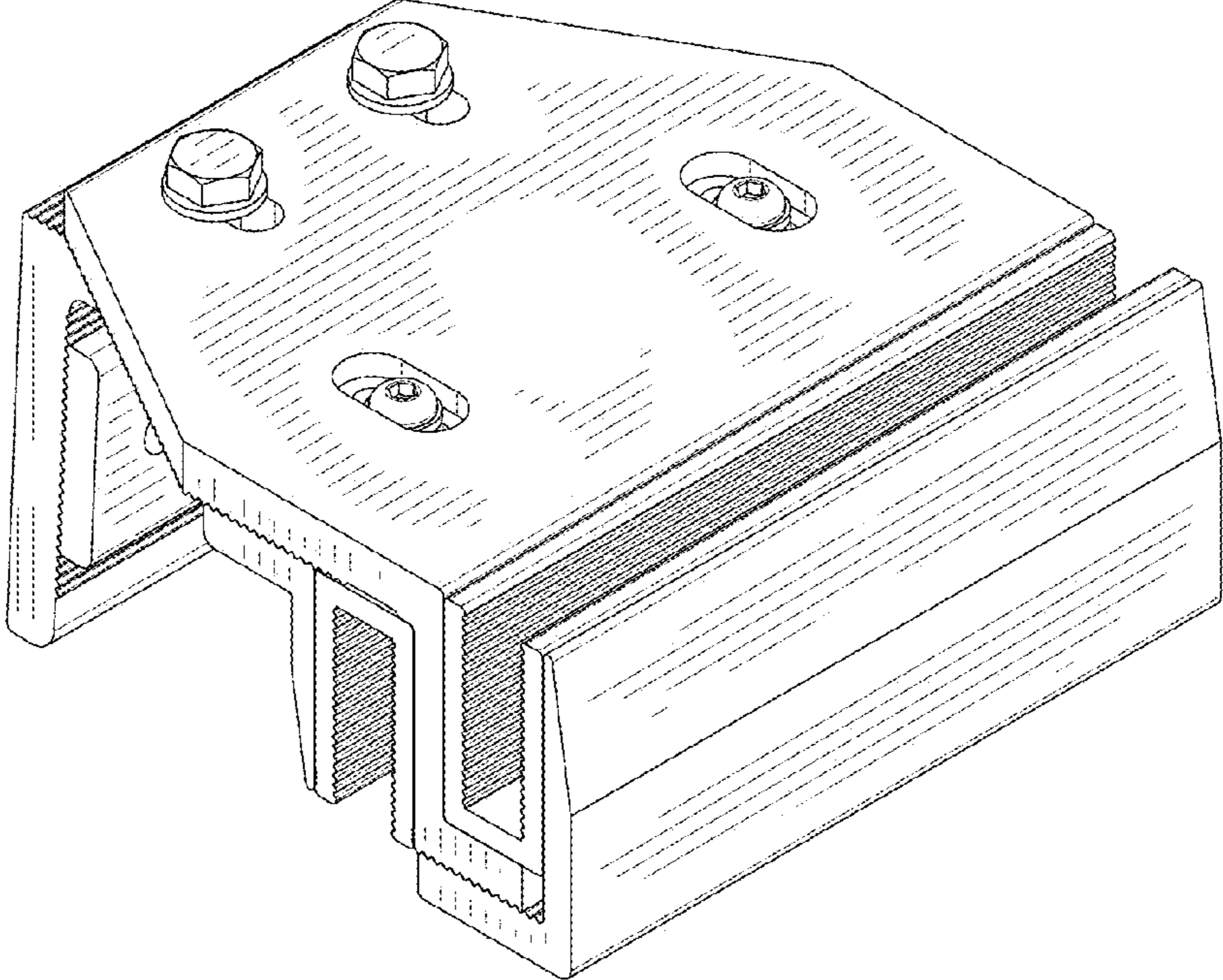


FIG. 1

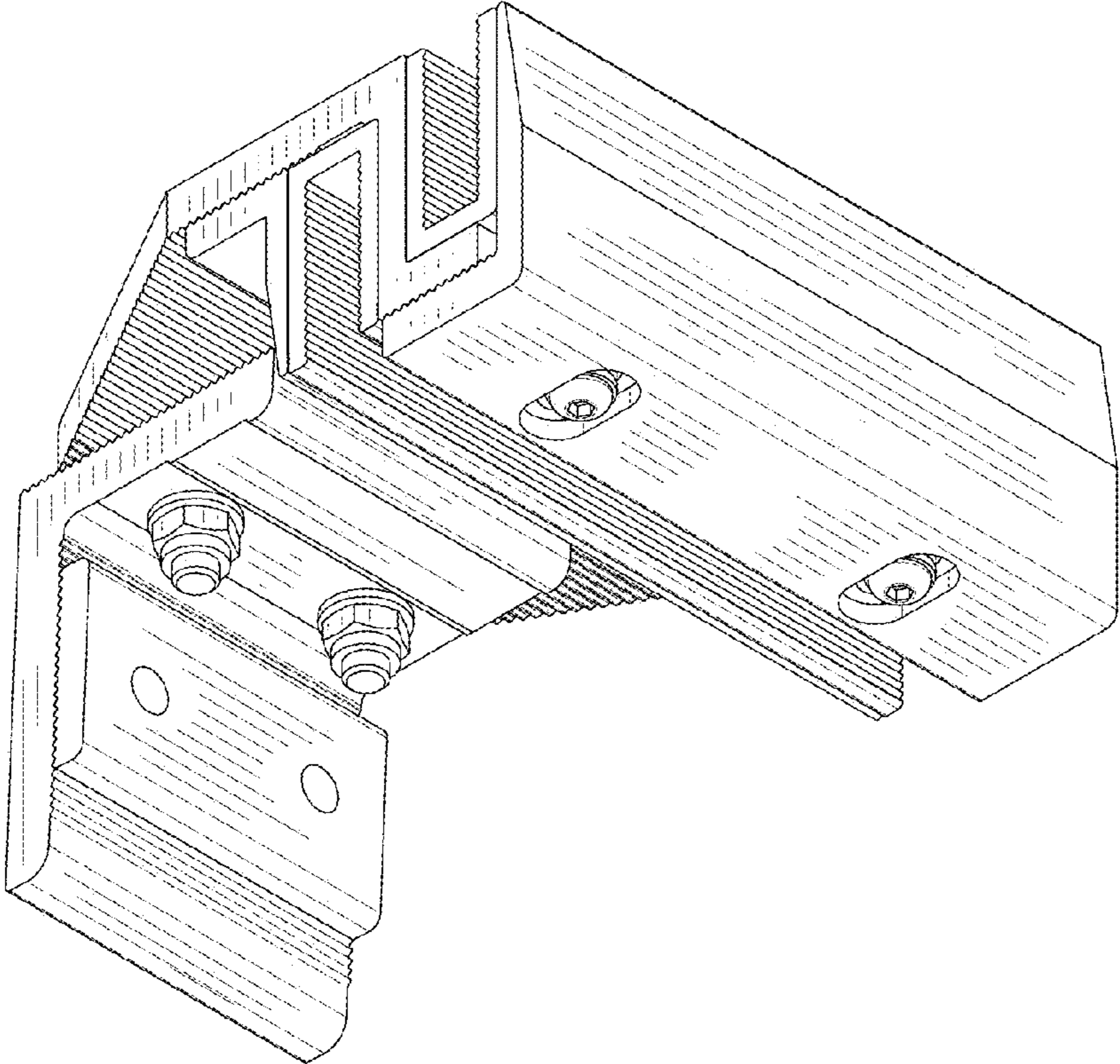


FIG. 2

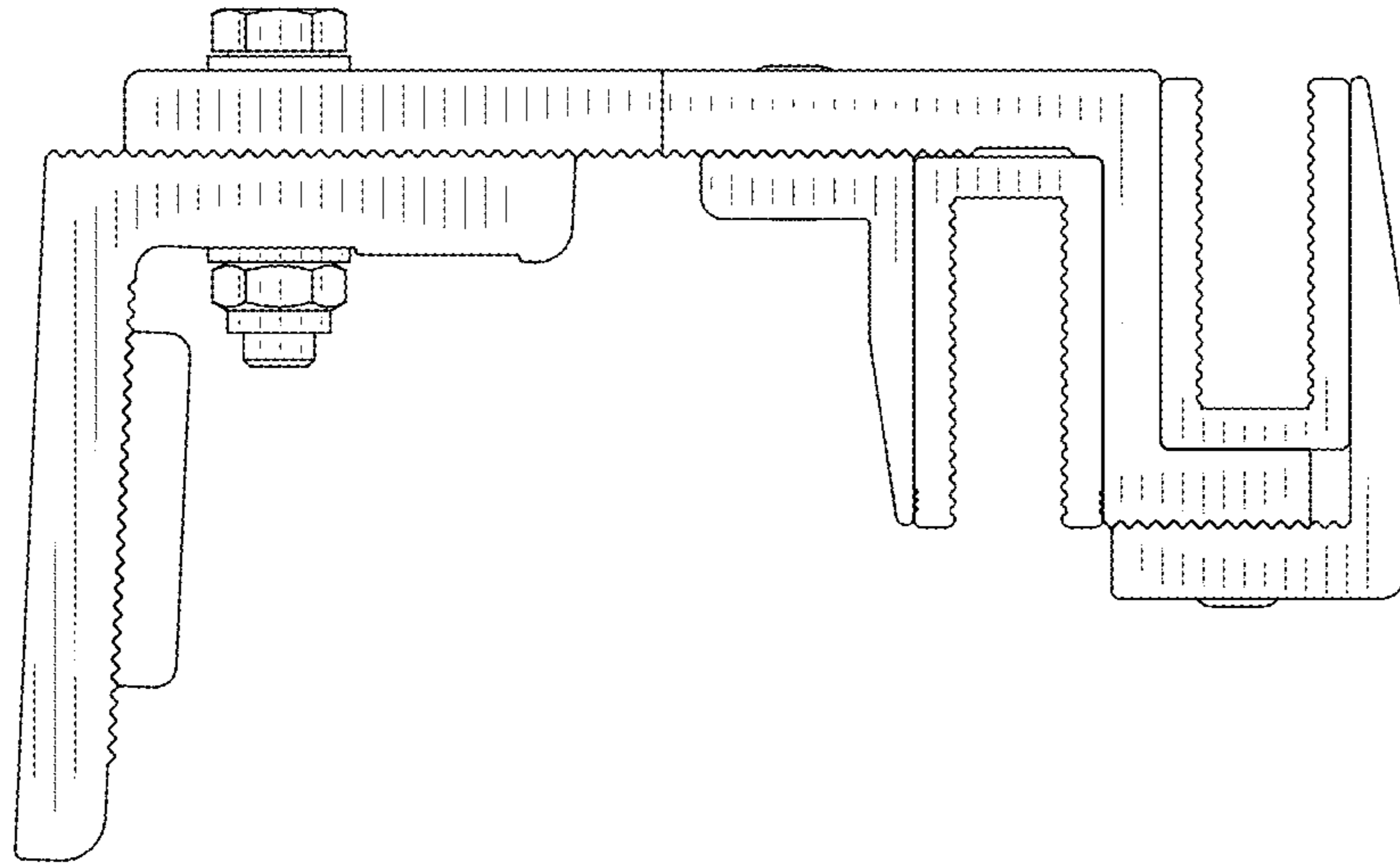


FIG. 3

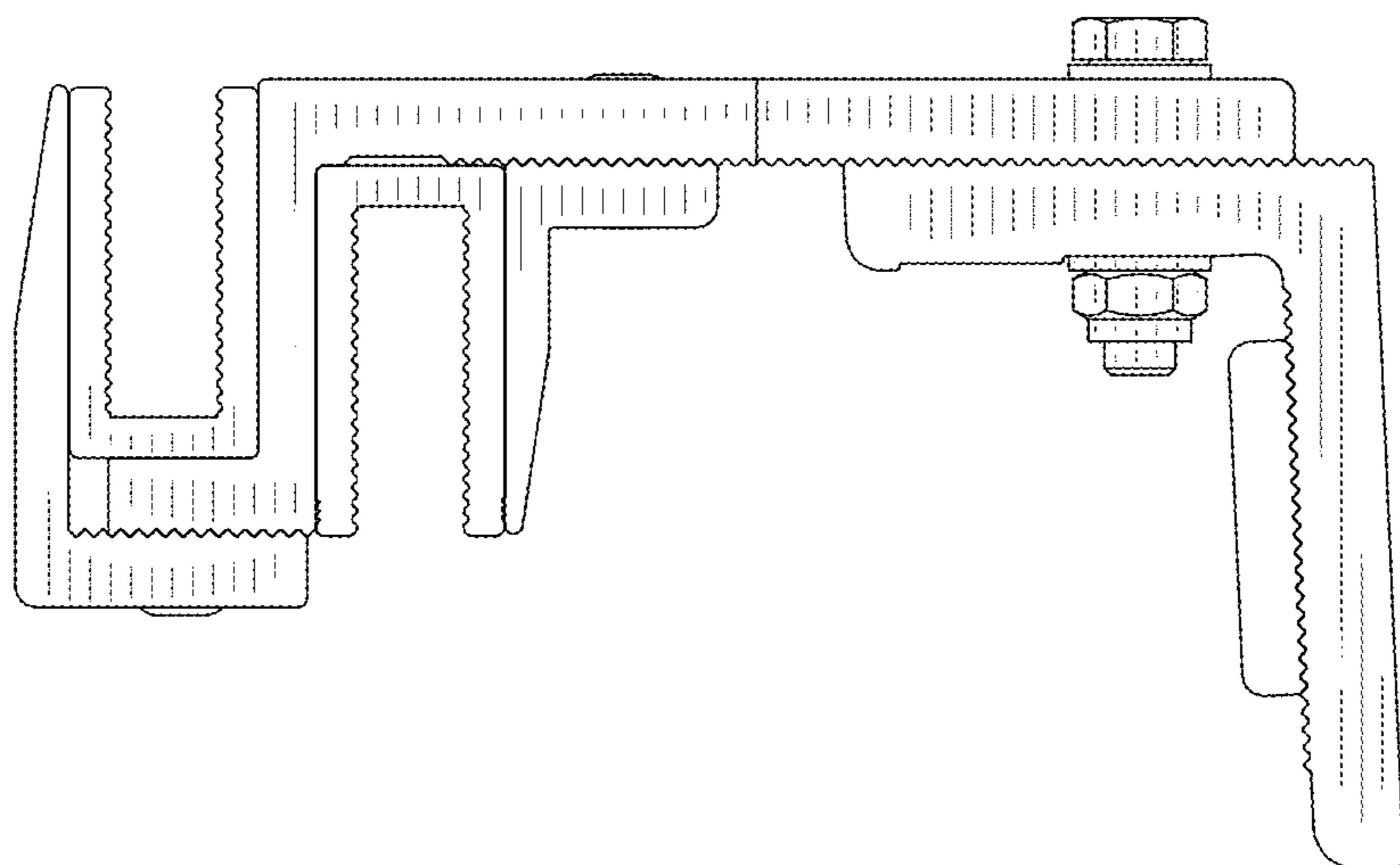


FIG. 4

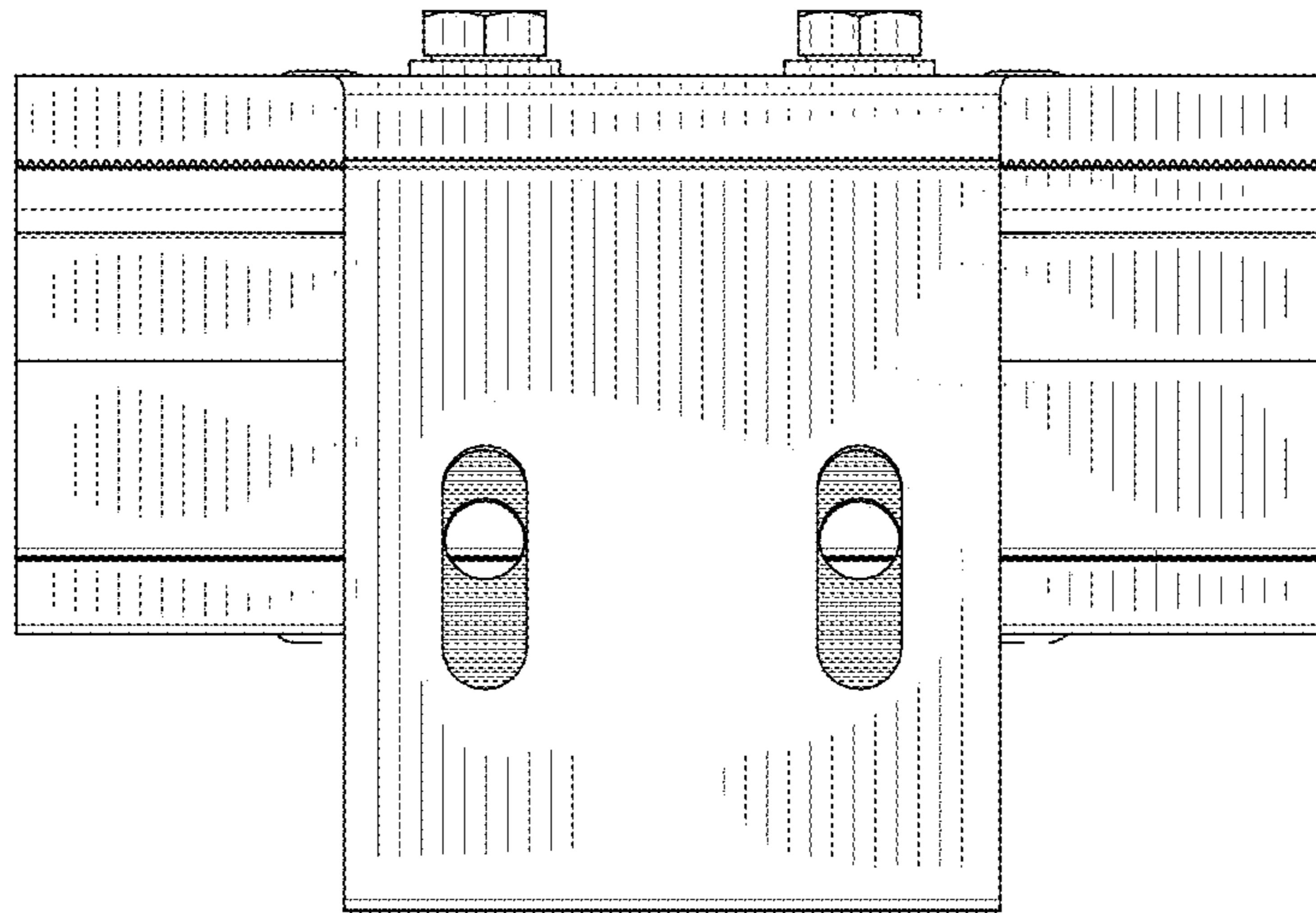


FIG. 5

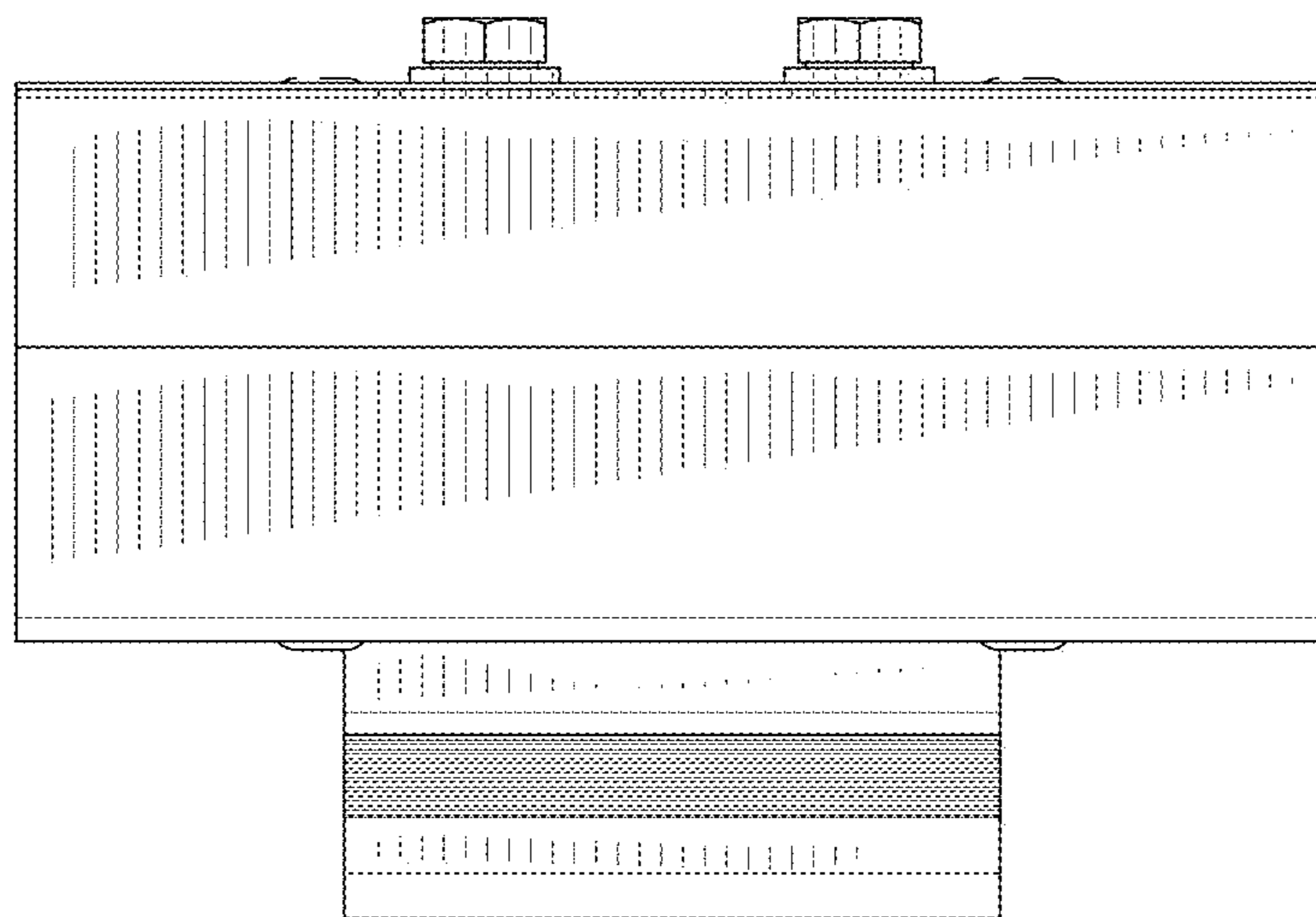


FIG. 6

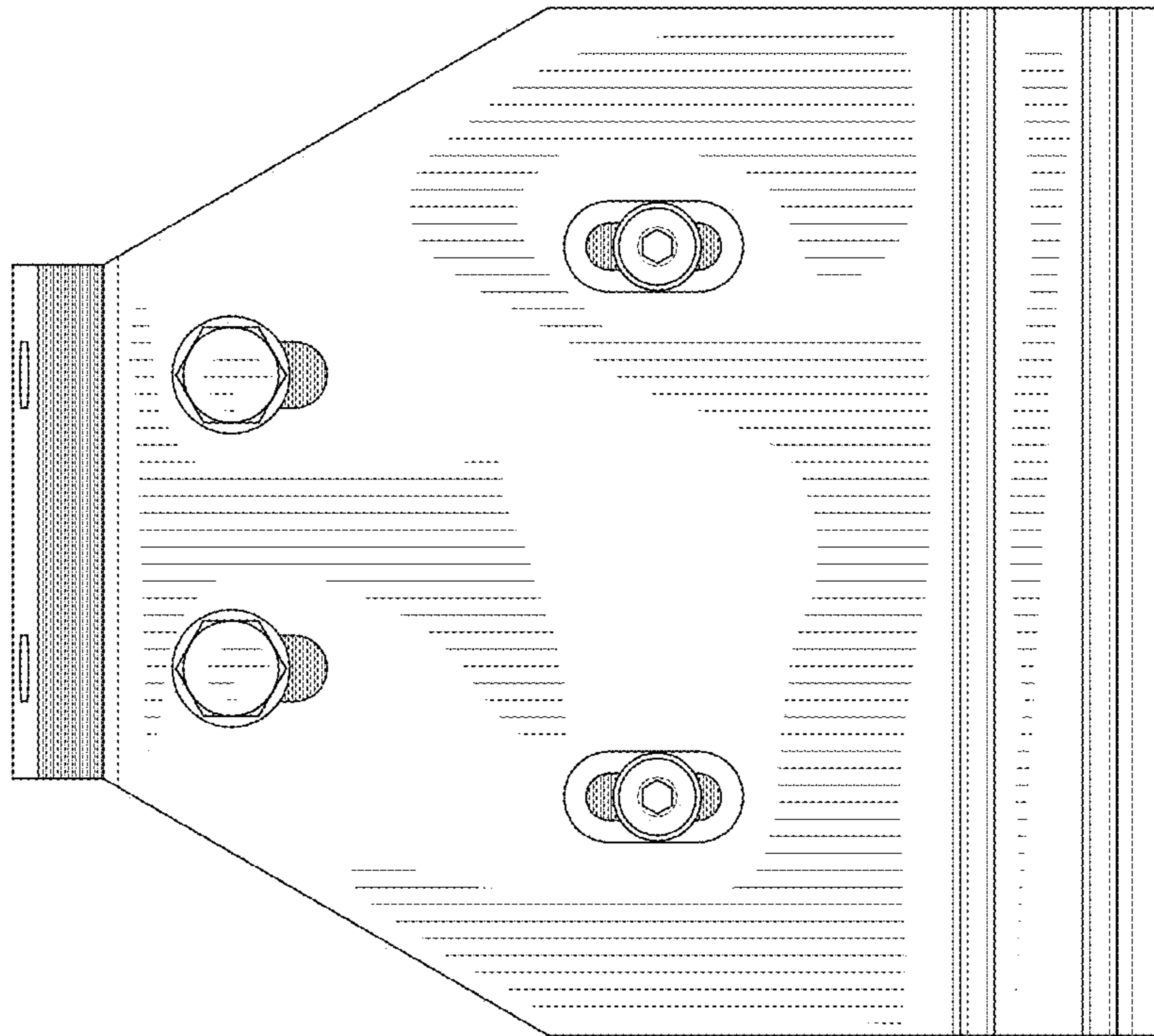


FIG. 7

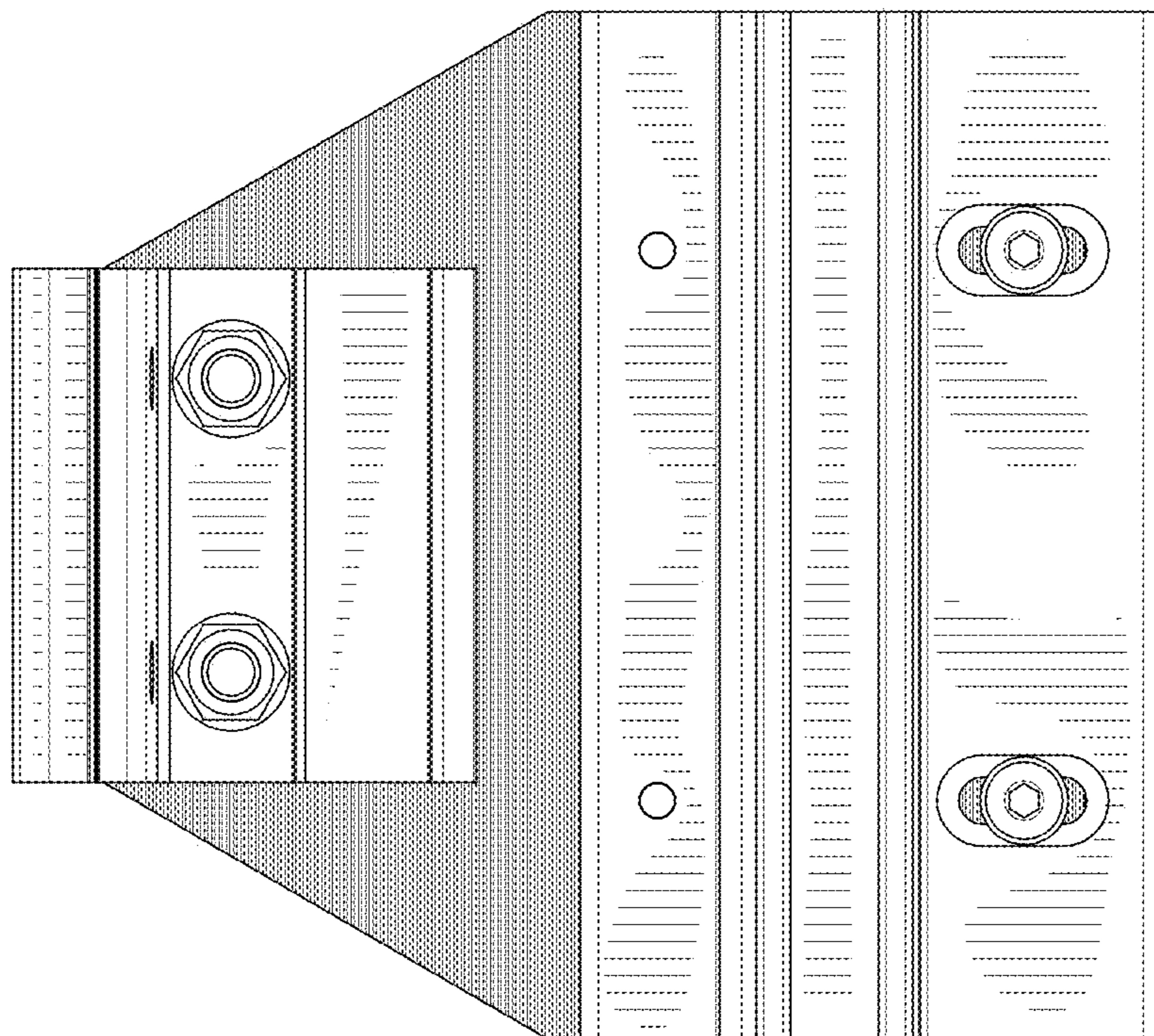


FIG. 8