



US00D735015S

(12) **United States Design Patent**  
**Fritz**

(10) **Patent No.:** **US D735,015 S**  
(45) **Date of Patent:** **\*\* Jul. 28, 2015**

(54) **PULL**

Y10T 16/86

See application file for complete search history.

(71) Applicant: **Masco Corporation of Indiana,**  
Indianapolis, IN (US)

(56) **References Cited**

(72) Inventor: **Seth Fritz,** Carmel, IN (US)

U.S. PATENT DOCUMENTS

(73) Assignee: **DELTA FAUCET COMPANY,**  
Indianapolis, IN (US)

D162,971 S *	4/1951	Marchand .....	D6/549
D274,123 S *	6/1984	Tegner .....	D8/316
D516,850 S *	3/2006	Shieh .....	D6/549
D664,022 S *	7/2012	Gilbert .....	D8/316
D715,577 S *	10/2014	Fritz .....	D6/549

(\*\*) Term: **14 Years**

\* cited by examiner

(21) Appl. No.: **29/484,843**

(22) Filed: **Mar. 13, 2014**

*Primary Examiner* — Derrick Holland

(51) **LOC (10) Cl.** ..... **06-08**

*Assistant Examiner* — Lauren Calve

(52) **U.S. Cl.**  
USPC ..... **D8/316**

(74) *Attorney, Agent, or Firm* — Edgar A. Zarins; Nirav D. Parikh

(58) **Field of Classification Search**  
 USPC ..... D8/300, 315–320, DIG. 1; D23/250,  
 D23/254, 303–305; D99/11; D6/546, 549;  
 D7/393, 394; 211/16; 16/110.1, 412,  
 16/413, 415, 419, 422, 424, 425, DIG. 19  
 CPC ..... Y10T 16/469; Y10T 16/44; Y10T 16/458;  
 Y10T 16/498; Y10T 16/476; Y10T 16/459;  
 Y10T 16/466; Y10T 16/4713; Y10T 16/4644;  
 Y10T 16/513; Y10T 16/509; Y10T 16/473;  
 Y10T 16/462; Y10T 16/4701; Y10T  
 74/20732; Y10T 29/49826; Y10T 16/4719;  
 Y10T 16/455; Y10T 16/4559; Y10T  
 74/20828; Y10T 74/20738; Y10T 74/20762;  
 Y10T 16/4628; Y10T 74/20864; Y10T  
 16/4567; Y10T 16/4576; Y10T 16/501;

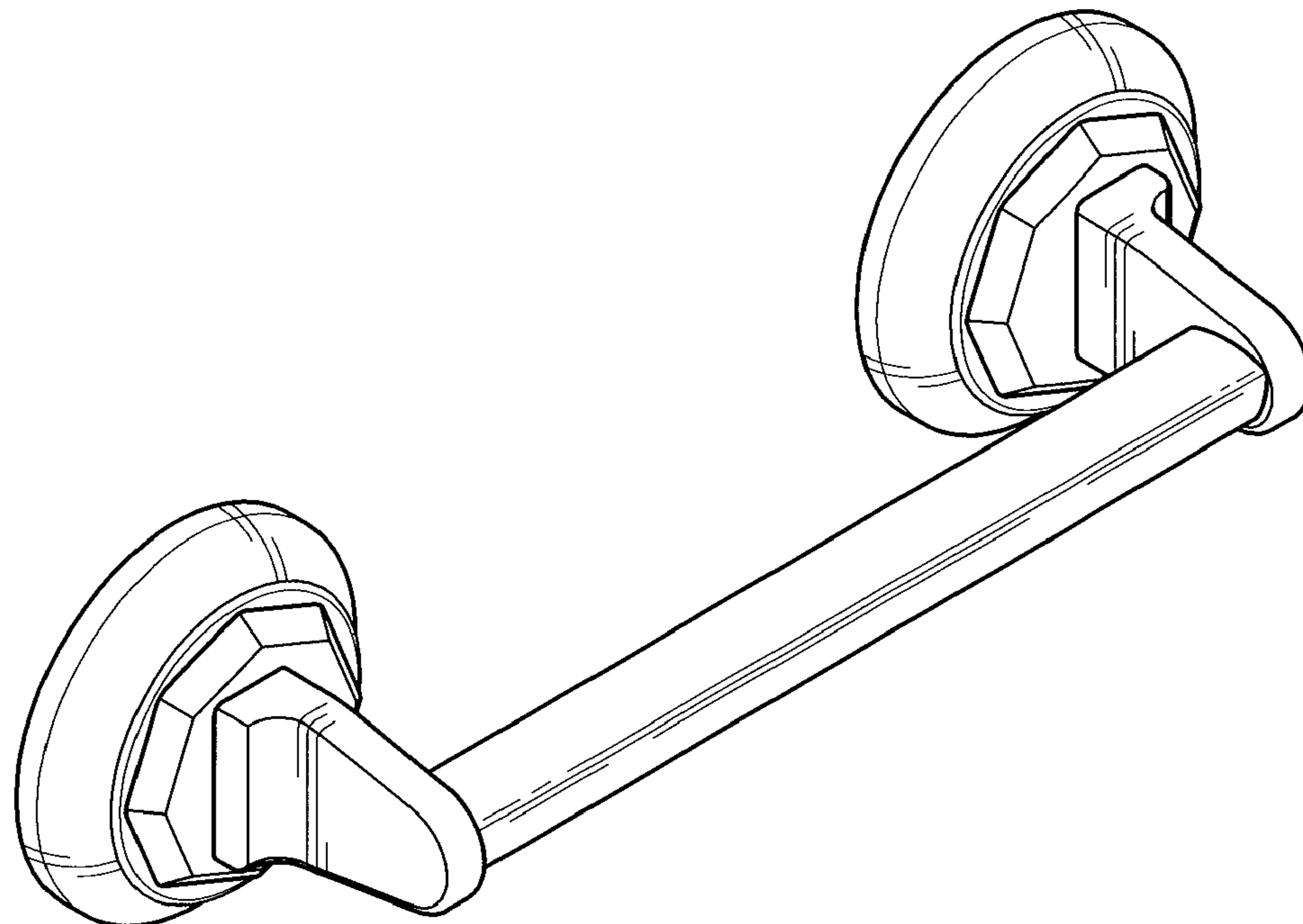
(57) **CLAIM**

The ornamental design for a pull, as shown and described.

**DESCRIPTION**

FIG. 1 is a perspective view of a pull showing my new design;  
 FIG. 2 is an end view thereof, the opposite end view being a  
 mirror image;  
 FIG. 3 is a side view thereof, the opposite side view being a  
 mirror image; and,  
 FIG. 4 is a front elevational view thereof.

**1 Claim, 1 Drawing Sheet**



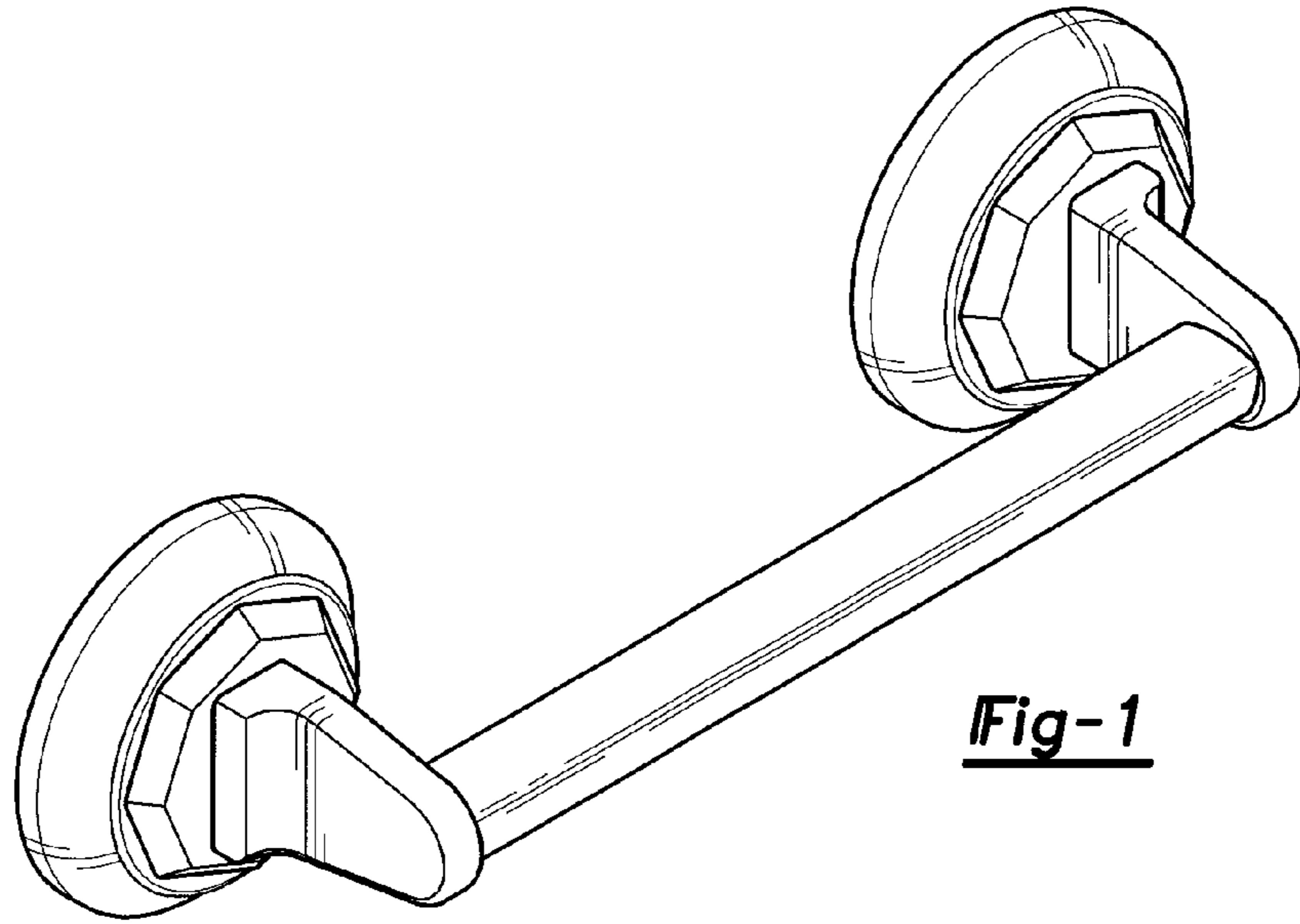


Fig-1

Fig-2

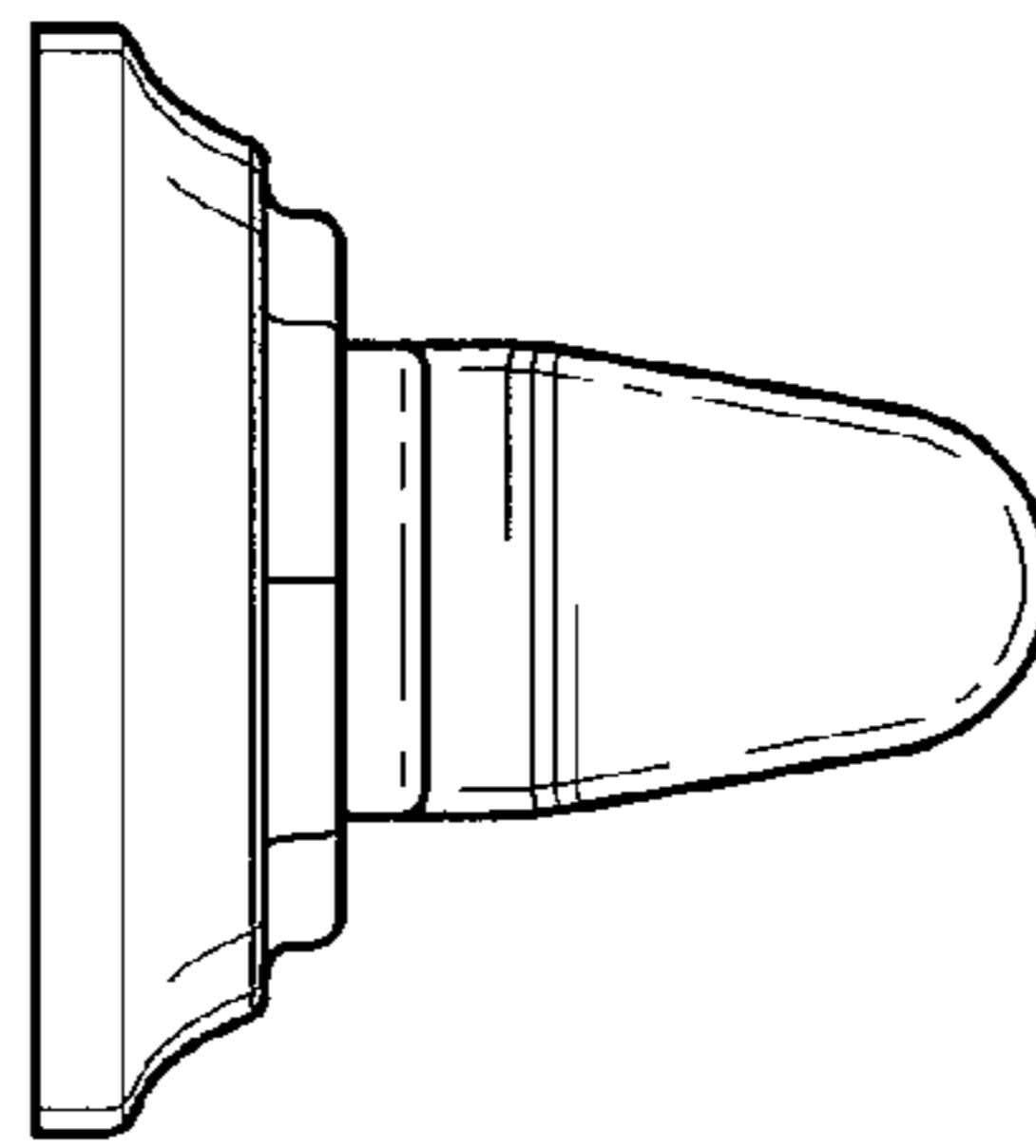


Fig-3

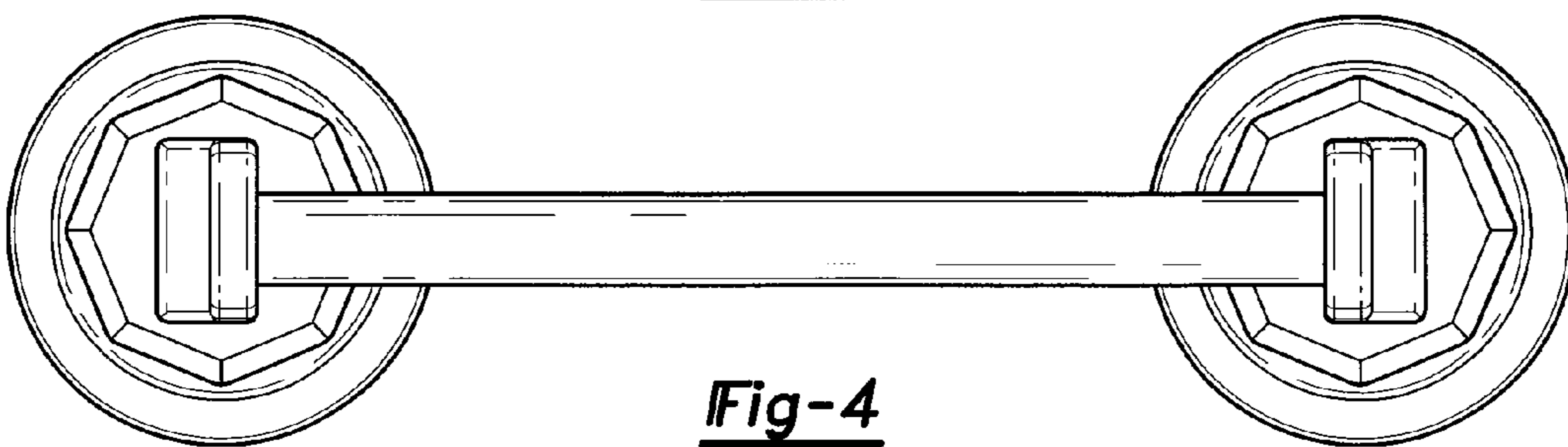


Fig-4