



US00D735013S

(12) **United States Design Patent**
White

(10) **Patent No.:** **US D735,013 S**
(45) **Date of Patent:** **** Jul. 28, 2015**

- (54) **ADHESIVE-APPLIED HANDLE**
- (71) Applicant: **Brian Lee White**, St. Augustine, FL
(US)
- (72) Inventor: **Brian Lee White**, St. Augustine, FL
(US)
- (**) Term: **14 Years**
- (21) Appl. No.: **29/482,106**
- (22) Filed: **Feb. 13, 2014**
- (51) **LOC (10) Cl.** **08-06**
- (52) **U.S. Cl.**
USPC **D8/301**
- (58) **Field of Classification Search**
USPC D8/107, 300, 301, 303; D3/276;
D4/129; D7/394; 16/406, 407, 410,
16/422, 444; 74/551.8, 551.9
See application file for complete search history.

- D460,677 S * 7/2002 Proot et al. D8/301
- D629,275 S * 12/2010 Schmidt D8/300
- 8,122,745 B2 * 2/2012 Ramsauer et al. 70/224
- D657,241 S * 4/2012 Nidetz D9/434

* cited by examiner

Primary Examiner — Derrick Holland
Assistant Examiner — Lauren Calve
(74) *Attorney, Agent, or Firm* — QuickPatents; Kevin Prince

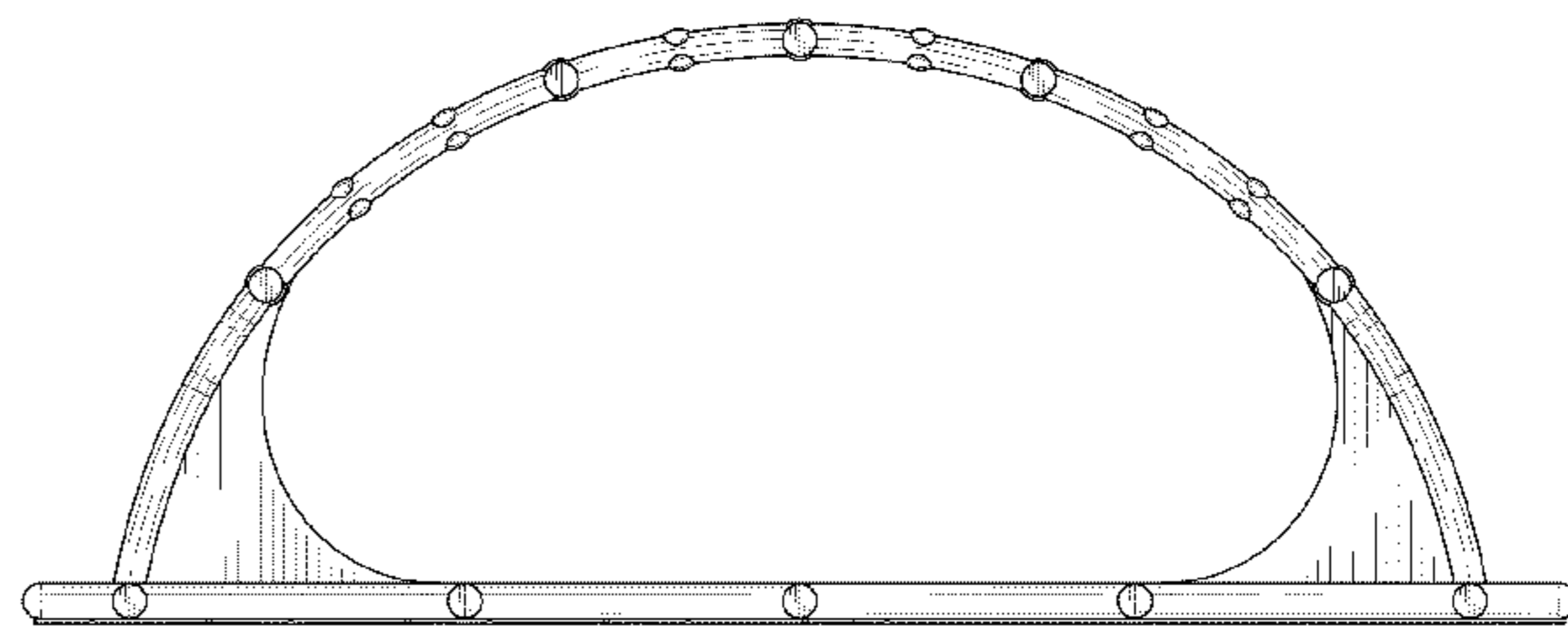
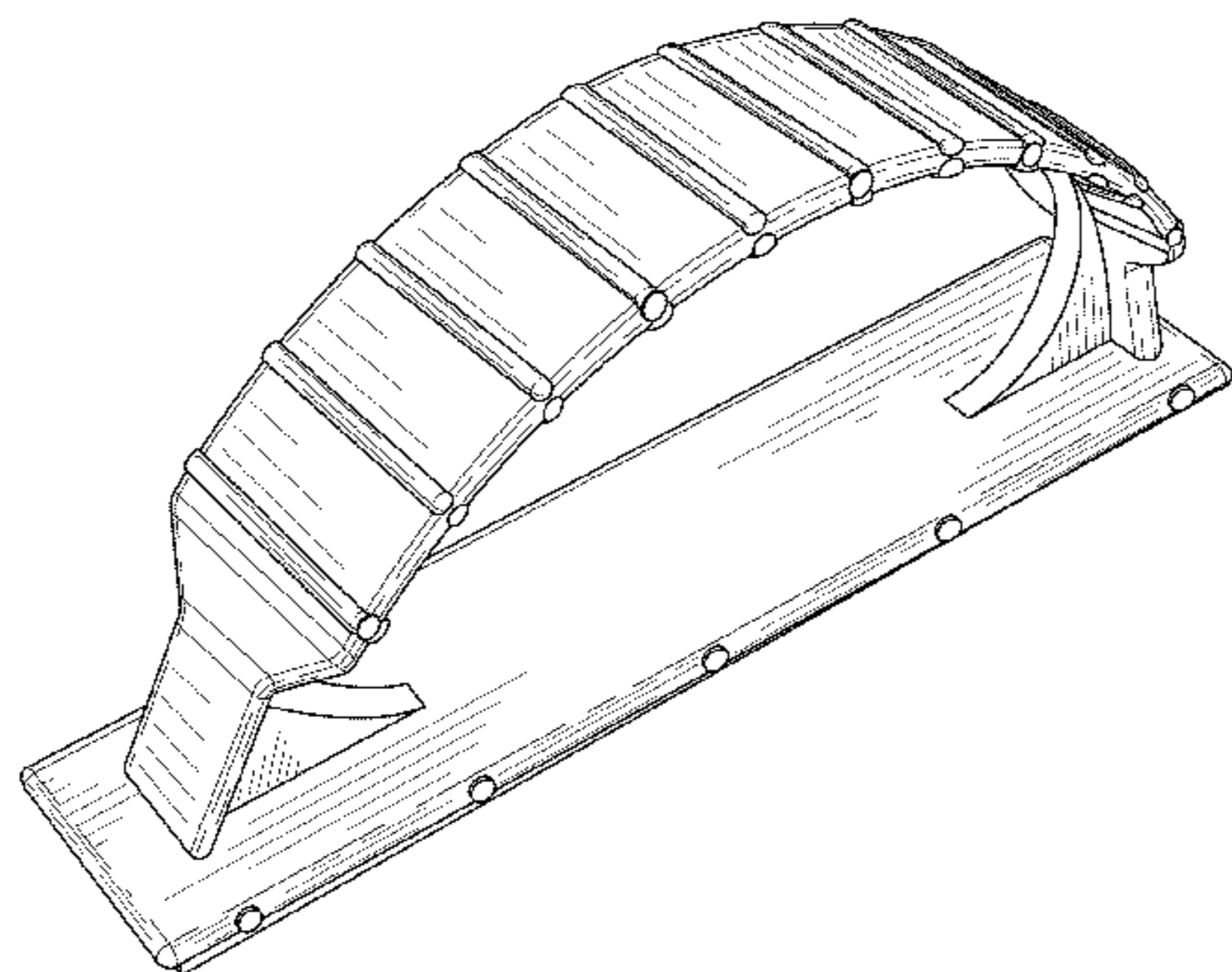
(57) **CLAIM**
I claim the ornamental design for an adhesive-applied handle,
as shown and described.

DESCRIPTION

FIG. 1 is a top perspective view of an adhesive-applied handle, showing my new design;
FIG. 2 is a bottom perspective thereof, with the adhesive partially pulled away;
FIG. 3 is a left-side elevational view of FIG. 1, the right-side elevational view being a mirror image thereof;
FIG. 4 is a front elevational view of FIG. 1, the rear elevational view being a mirror image thereof;
FIG. 5 is a top plan view of FIG. 1; and,
FIG. 6 is a bottom plan view of FIG. 1.

1 Claim, 3 Drawing Sheets

- (56) **References Cited**
U.S. PATENT DOCUMENTS
2,142,953 A * 1/1939 Raymond 16/444
3,097,774 A * 7/1963 Houston, Jr. 294/170



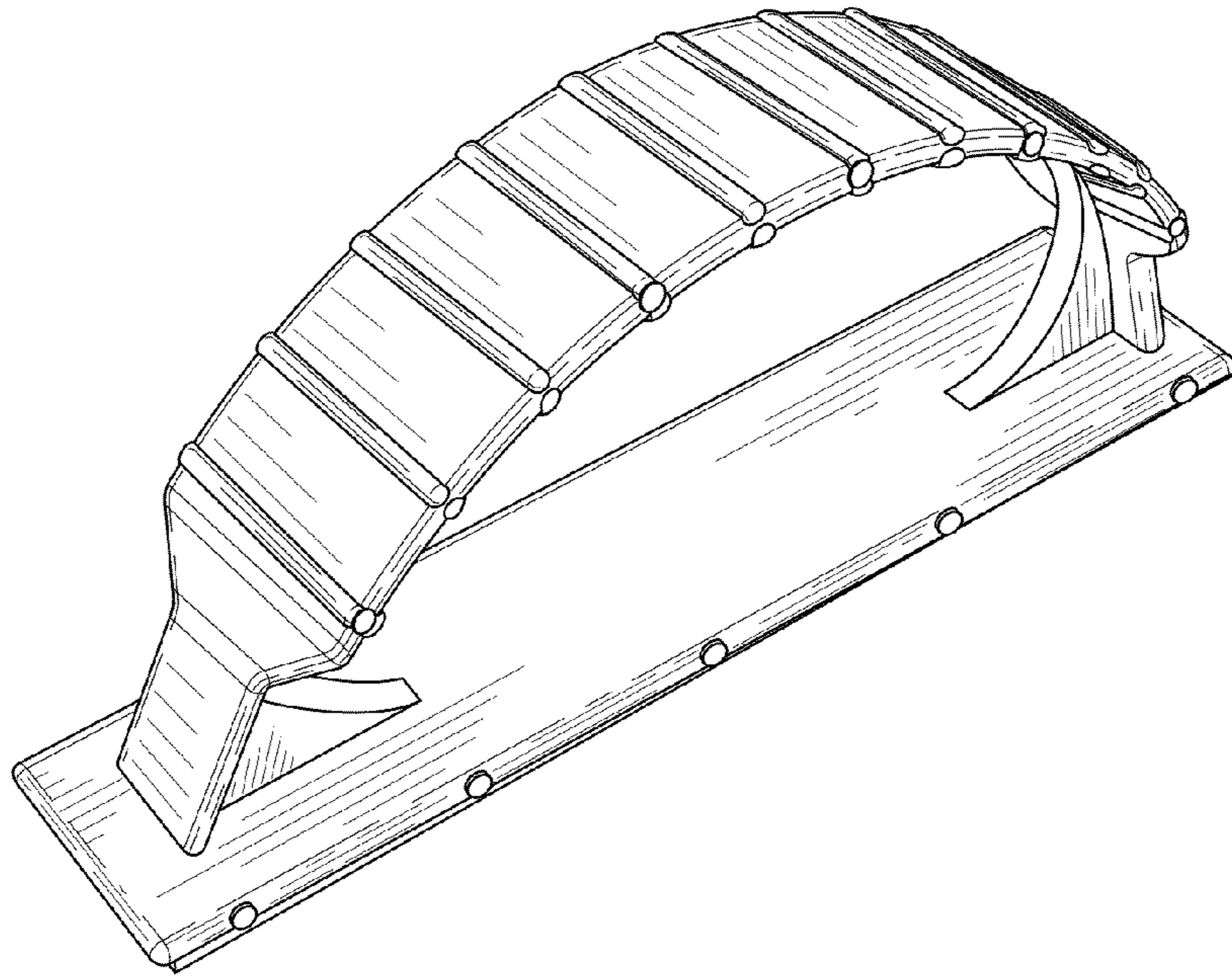


FIG.1

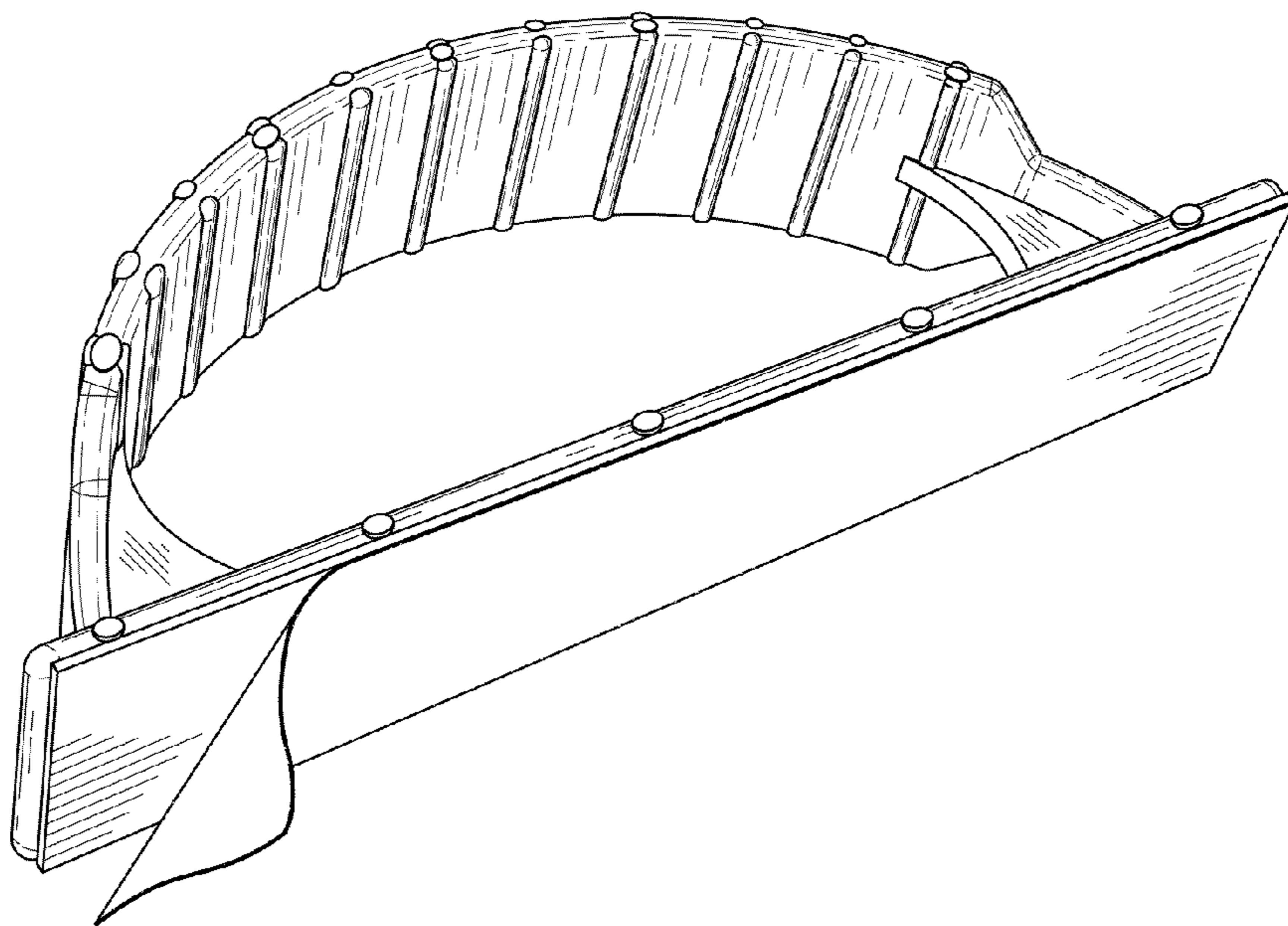


FIG.2

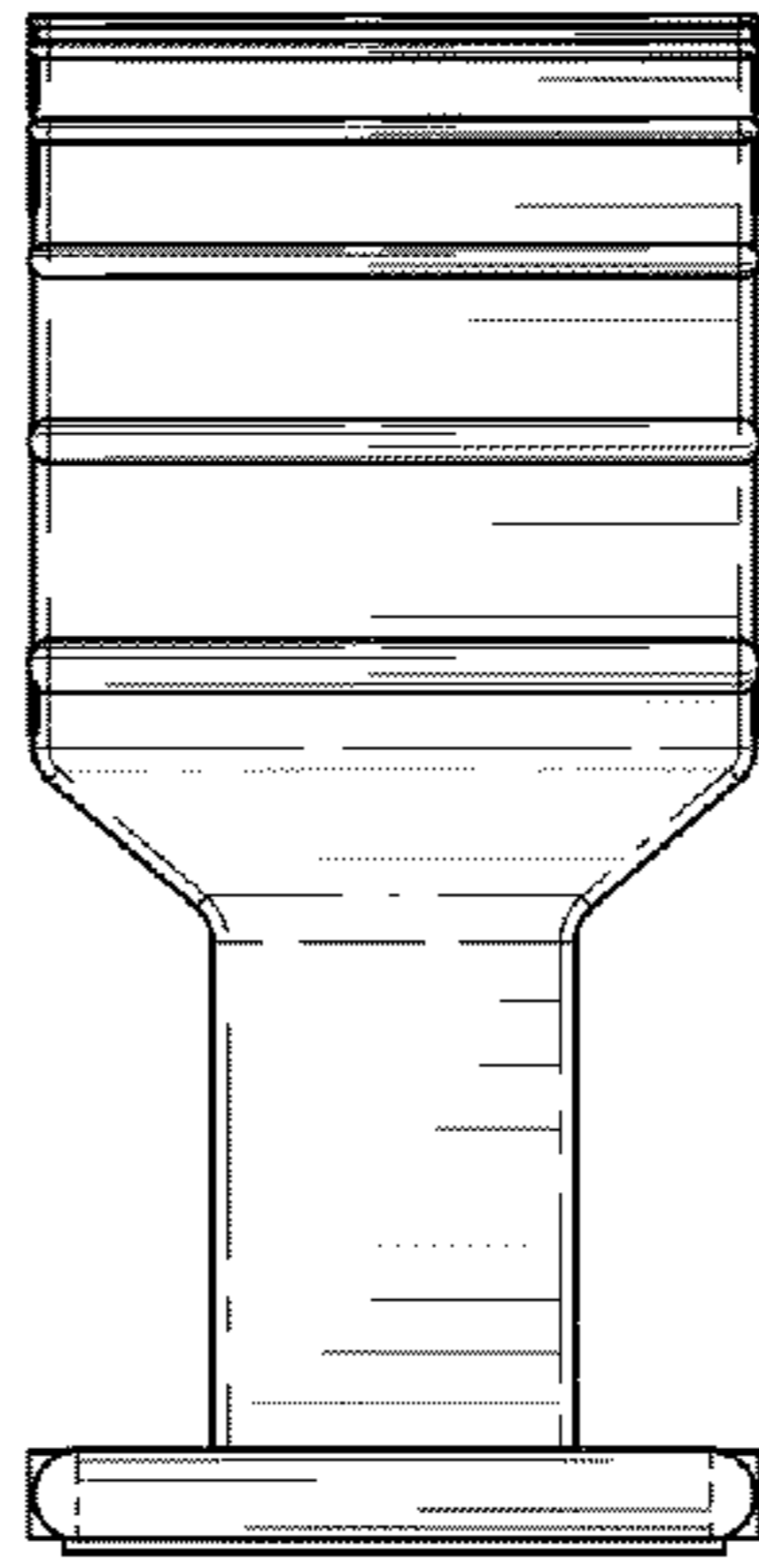


FIG. 3

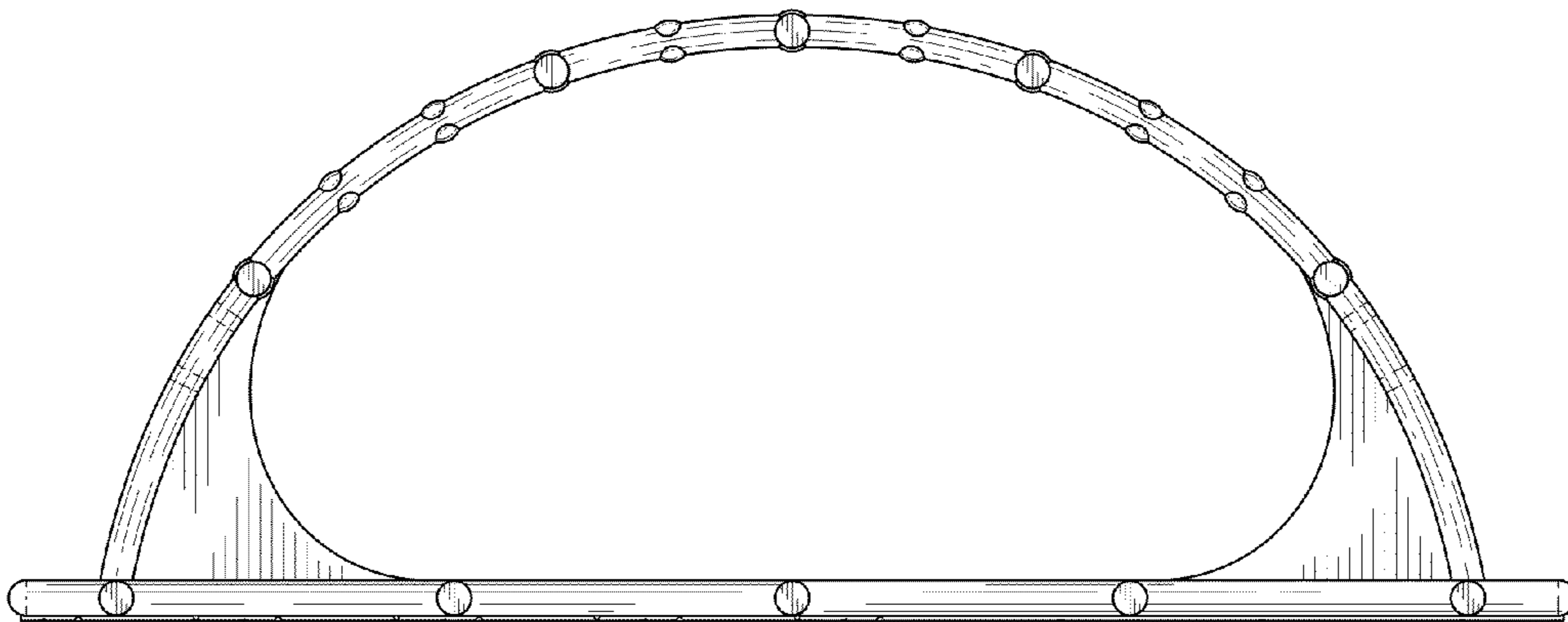


FIG. 4

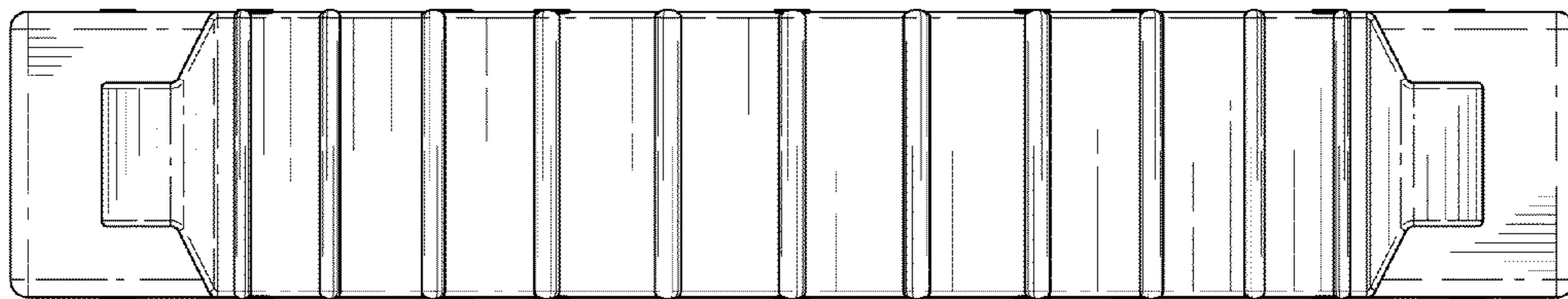


FIG.5

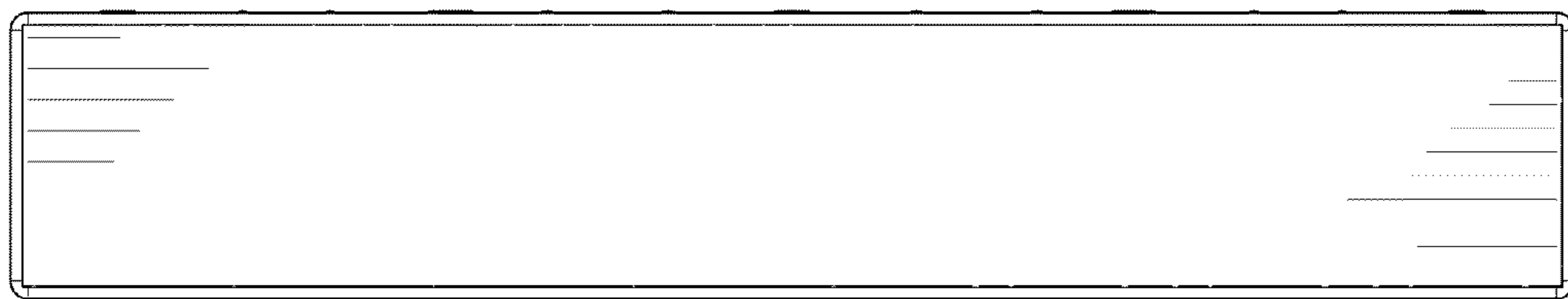


FIG.6