

US00D735012S

(12) **United States Design Patent**
Cowie

(10) **Patent No.:** **US D735,012 S**
(45) **Date of Patent:** **** Jul. 28, 2015**

(54) **OCTAGONAL POLE WITH REINFORCING MEMBERS**

(71) Applicant: **Charles Henry Cowie**, Fayetteville, AR (US)

(72) Inventor: **Charles Henry Cowie**, Fayetteville, AR (US)

(73) Assignee: **Marshalltown Company**, Marshalltown, IA (US)

(**) Term: **14 Years**

(21) Appl. No.: **29/488,143**

(22) Filed: **Apr. 16, 2014**

(51) **LOC (10) Cl.** **08-06**

(52) **U.S. Cl.**
USPC **D8/107**

(58) **Field of Classification Search**
USPC D8/1, 10, 14, 105, 300, 301, 303, 422;
D32/25, 31, 32, 34, 49, 50, 51, 52;
428/36.8; 74/551.8, 551.9; 16/110.1,
16/421, 422, 429, 430; D22/142
See application file for complete search history.

(56) **References Cited**

U.S. PATENT DOCUMENTS

293,752	A *	2/1884	Krahenbiehl et al.	138/145
D217,285	S *	4/1970	Anderson	D32/31
D323,280	S *	1/1992	Chen	D8/303
5,664,520	A *	9/1997	Latimer, III	16/421
D453,463	S *	2/2002	Chang	D8/107

D469,330	S *	1/2003	Novoa	D8/303
D578,260	S *	10/2008	Fellinger	D32/25
D611,563	S *	3/2010	Sjoberg	D22/142
D645,511	S *	9/2011	Freeman et al.	D19/67
D661,265	S *	6/2012	Kajiya et al.	D13/182
D716,510	S *	10/2014	Gilbert, Jr.	D32/31
2003/0215283	A1 *	11/2003	Hsieh	403/109.2
2006/0283284	A1 *	12/2006	Lin	74/551.9
2012/0060879	A1 *	3/2012	Webb	135/72

* cited by examiner

Primary Examiner — Derrick Holland

Assistant Examiner — Lauren Calve

(74) *Attorney, Agent, or Firm* — Wright, Lindsey + Jennings LLP; Meredith K. Lowry

(57) **CLAIM**

The ornamental design for an octagonal pole with reinforcing members, as shown and described.

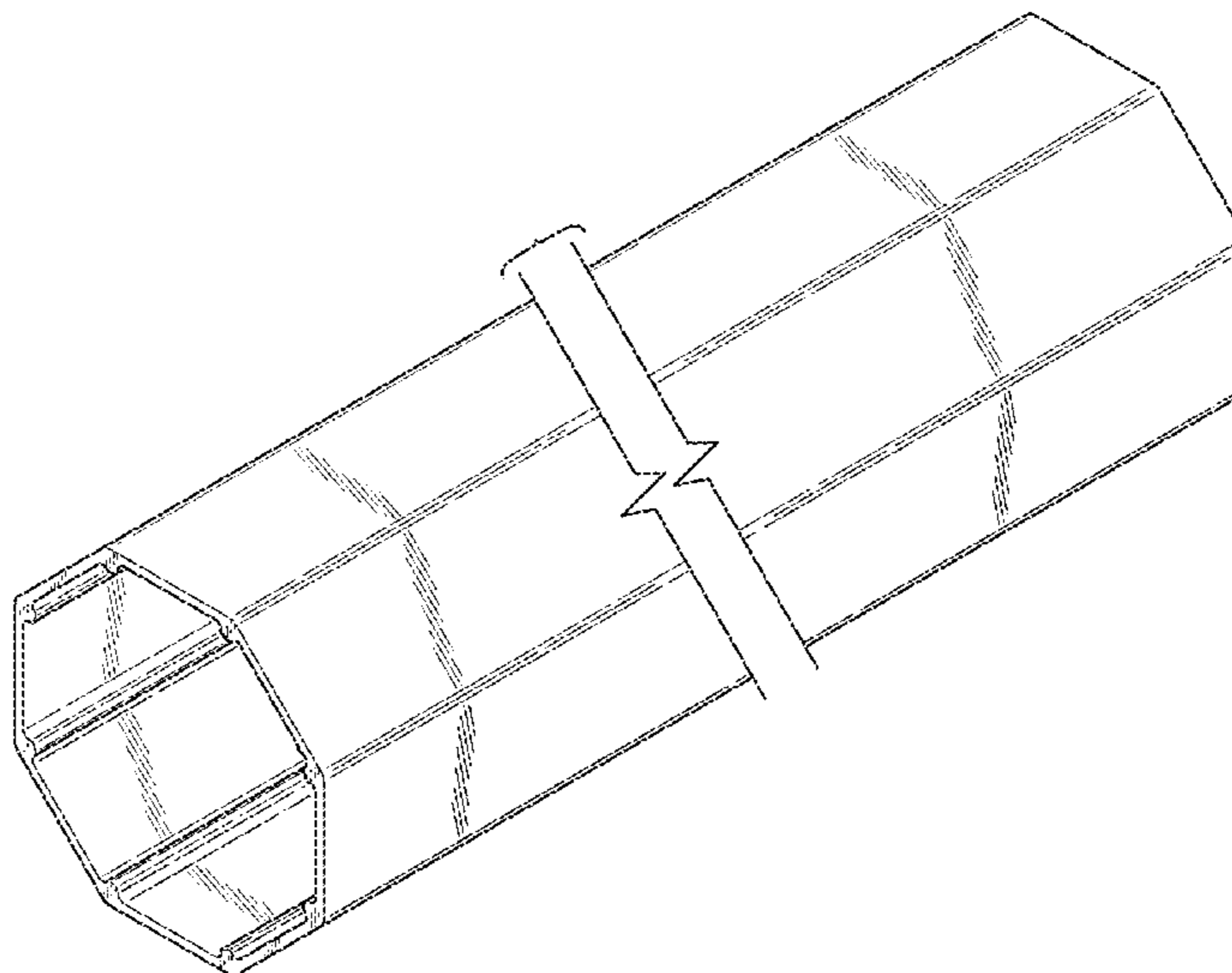
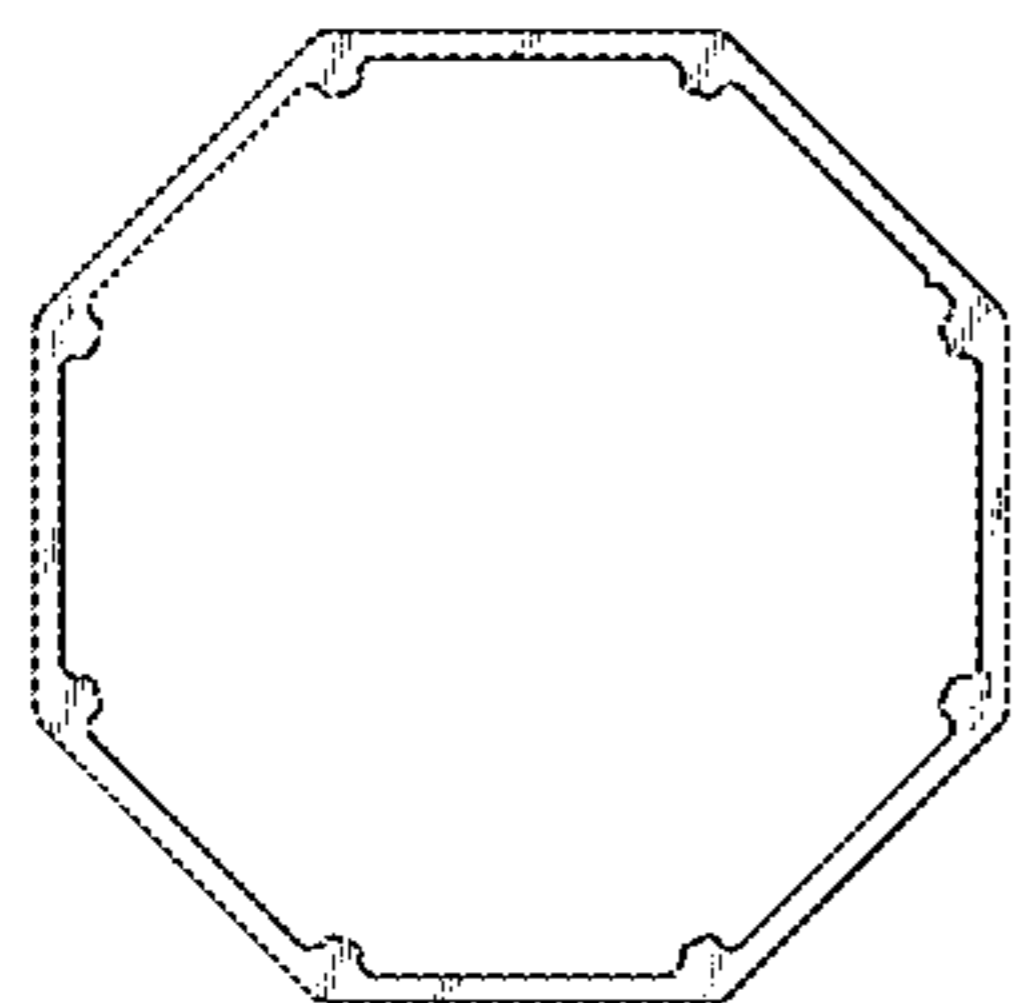
DESCRIPTION

FIG. 1 is a top plan view of an octagonal pole with reinforcing members, the bottom plan view being a mirror image; FIG. 2 is a side elevational view thereof; FIG. 3 is a perspective view thereof; and, FIG. 4 is a second perspective view thereof, shown in environmental use.

The broken lines shown represent unclaimed subject matter and form no part of the claimed design.

The octagonal pole with reinforcing members is shown broken to represent indeterminate length. The indeterminate portion of the article forms no part of the claim design. Patentability is based only on those portions of the octagonal pole with reinforcing members that are shown in solid lines.

1 Claim, 3 Drawing Sheets



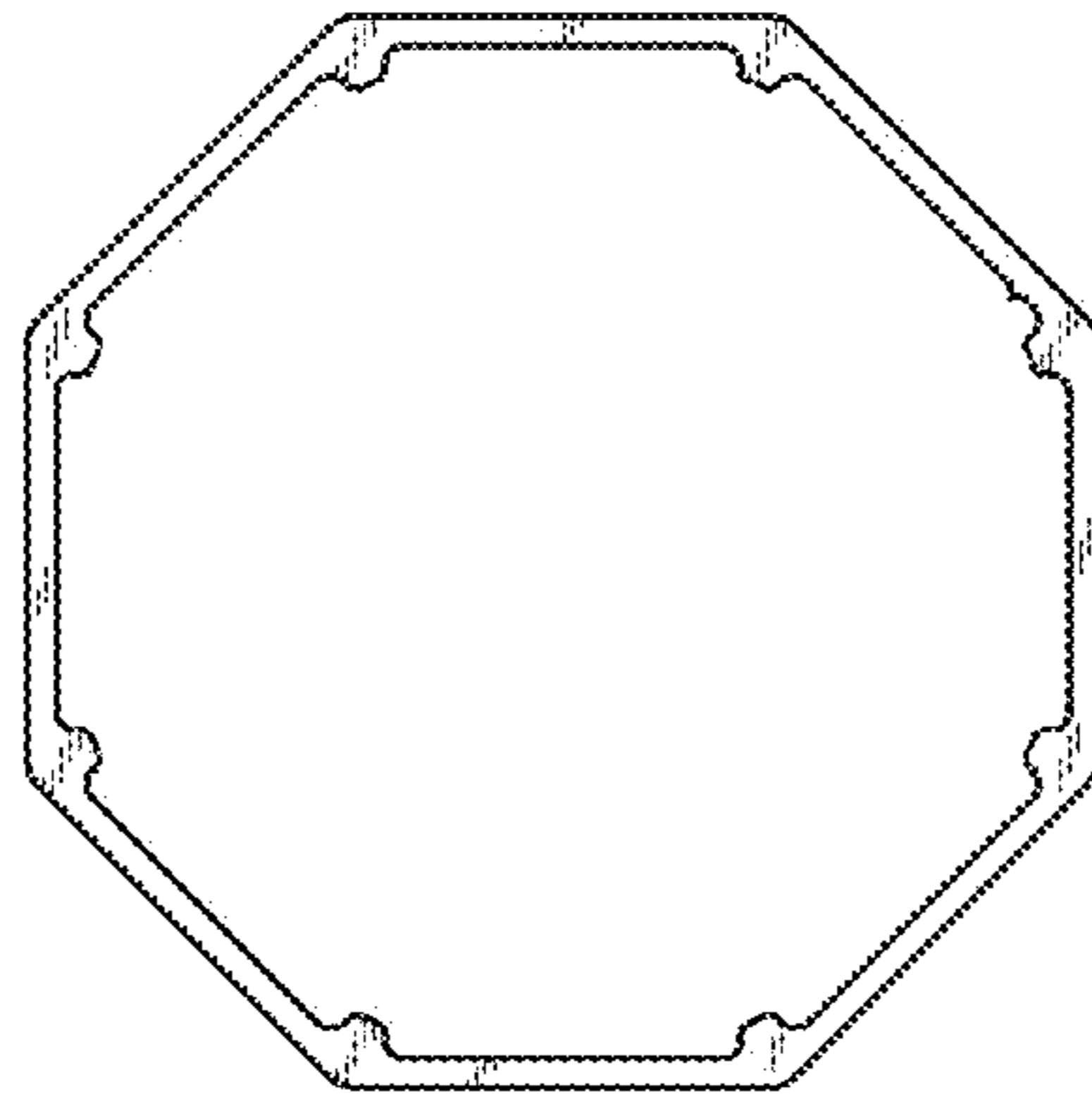


FIG. 1

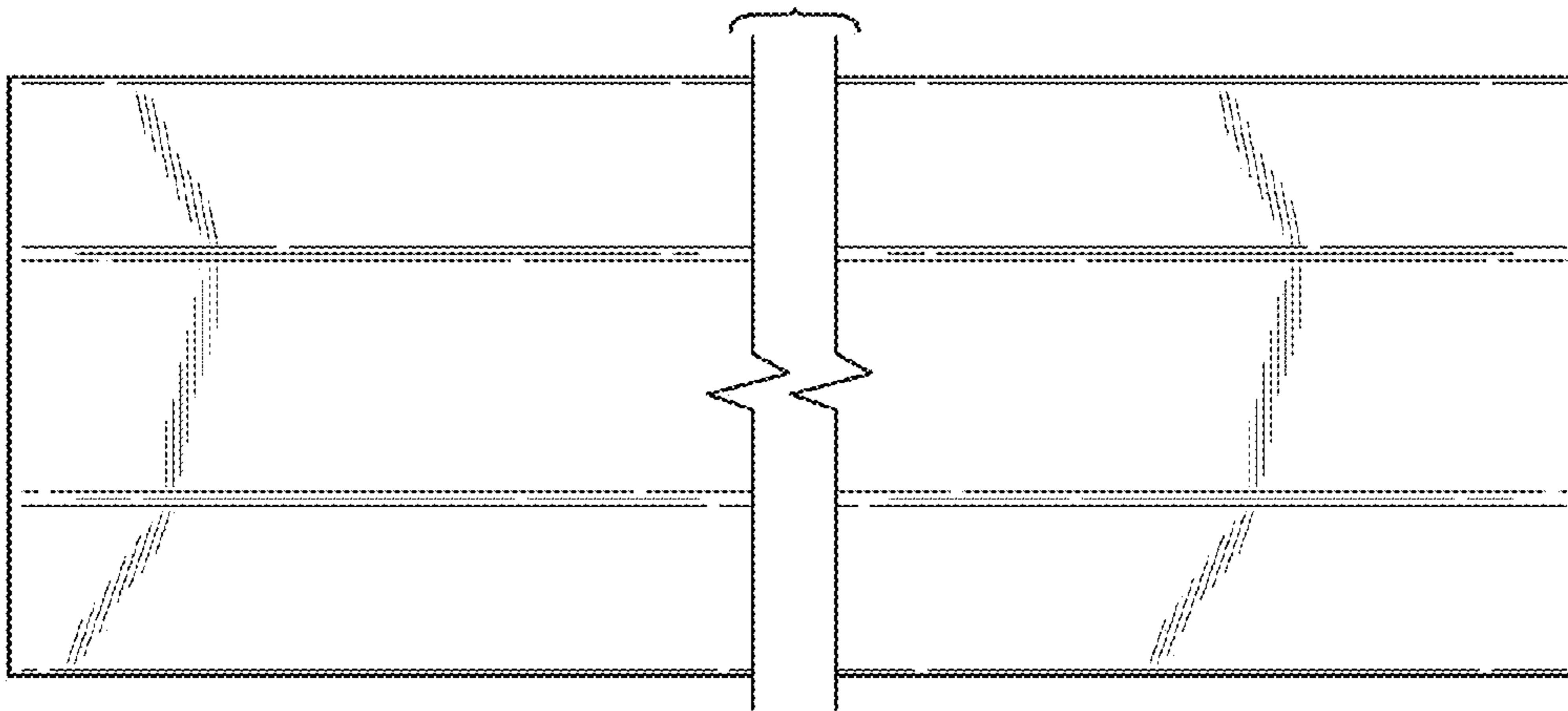


FIG. 2

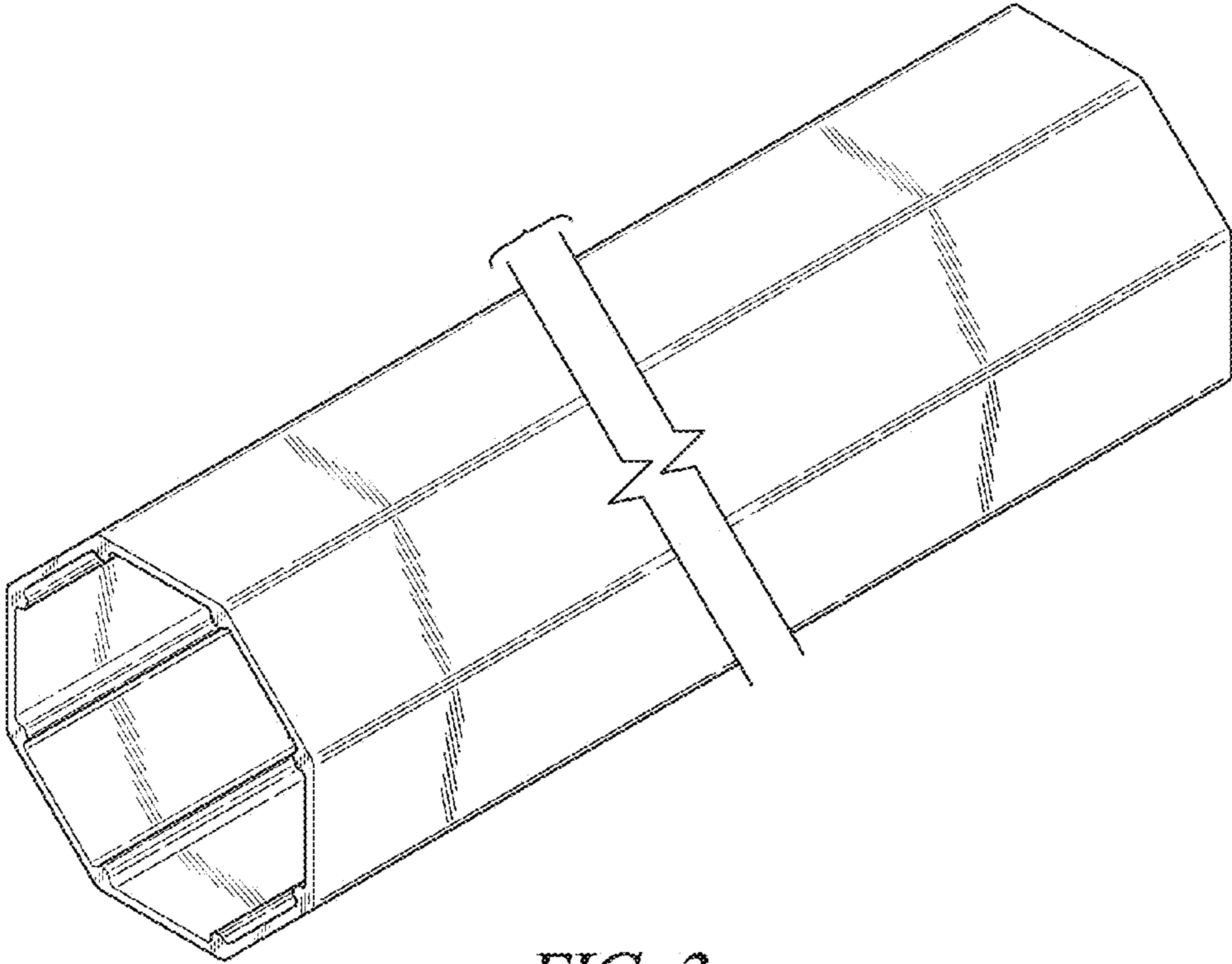


FIG. 3

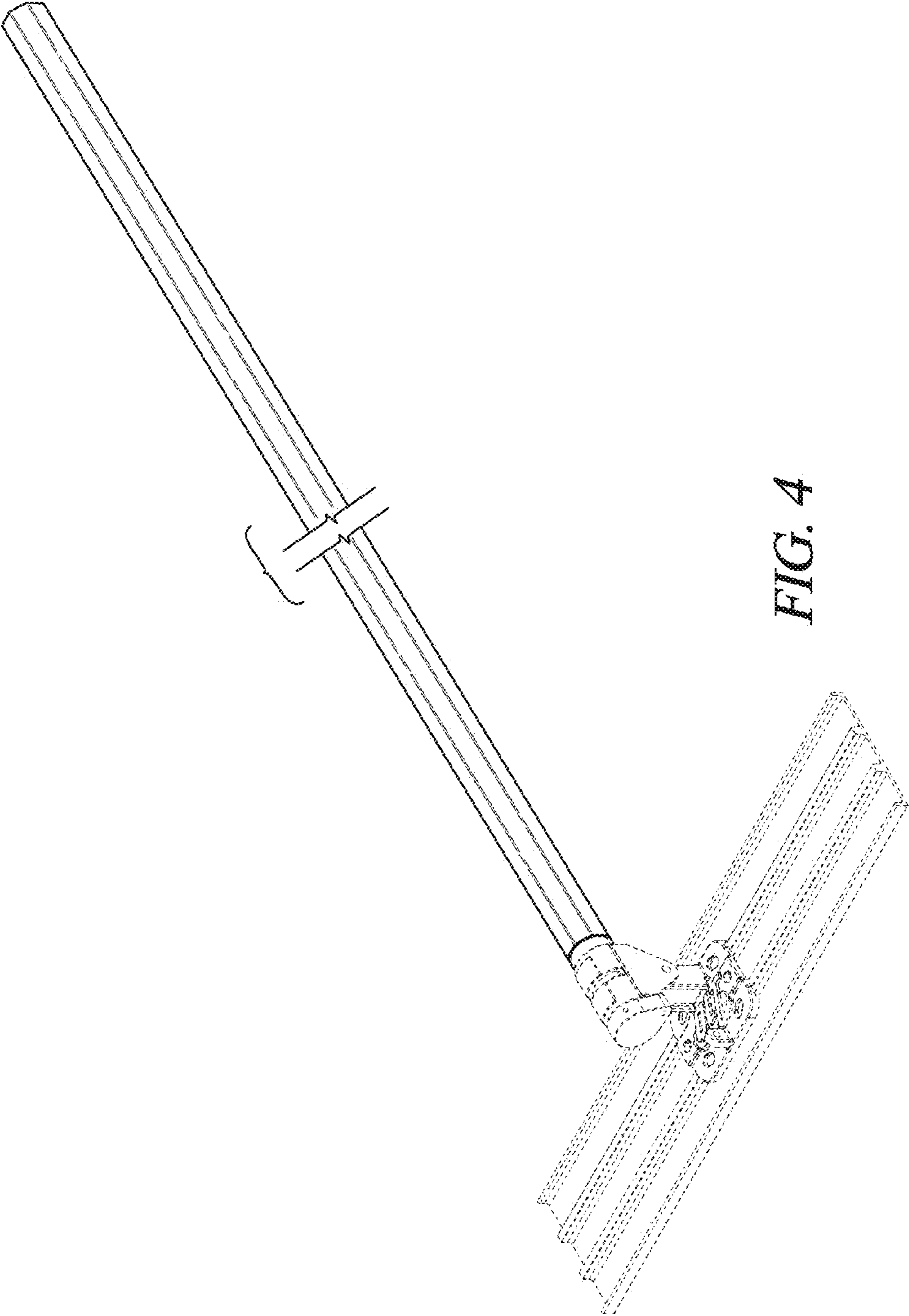


FIG. 4