



US00D735011S

(12) **United States Design Patent**  
**Wu**

(10) **Patent No.:** **US D735,011 S**  
(45) **Date of Patent:** **\*\* Jul. 28, 2015**

(54) **CUTTER KNIFE**

(71) Applicant: **SDI CORPORATION**, Chang Hua  
(TW)

(72) Inventor: **Chien-Lung Wu**, Chang Hua (TW)

(73) Assignee: **SDI Corporation**, Chang Hua (TW)

(\*\*) Term: **14 Years**

(21) Appl. No.: **29/483,014**

(22) Filed: **Feb. 25, 2014**

(30) **Foreign Application Priority Data**

Jan. 22, 2014 (TW) ..... 103300366

(51) **LOC (10) Cl.** ..... **08-03**

(52) **U.S. Cl.**  
USPC ..... **D8/99**

(58) **Field of Classification Search**  
USPC ..... D8/14, 98, 99, 100, 105, 107; D22/118;  
D24/147  
CPC ..... B26B 5/001; B26B 5/003; B26B 1/08;  
B26B 1/04; B26B 1/02; B26B 1/10; B26B  
1/48

See application file for complete search history.

(56) **References Cited**

U.S. PATENT DOCUMENTS

D264,802	S	*	6/1982	Osada	.....	D8/99
D264,803	S	*	6/1982	Machida	.....	D8/99
D305,096	S	*	12/1989	Tench et al.	.....	D8/99
D324,475	S	*	3/1992	Staubitz et al.	.....	D8/99
D354,900	S	*	1/1995	Hirai	.....	D8/99
D373,946	S	*	9/1996	Sawano	.....	D8/99
D443,494	S	*	6/2001	Okada	.....	D8/99
6,510,612	B1	*	1/2003	Cybulski	.....	30/162
D519,818	S	*	5/2006	Knopow et al.	.....	D8/99
D549,068	S	*	8/2007	Groten	.....	D8/99
D596,474	S	*	7/2009	Groten	.....	D8/99
D603,680	S	*	11/2009	Wu	.....	D8/99
2009/0313836	A1	*	12/2009	Wei	.....	30/286

\* cited by examiner

*Primary Examiner* — Phillip S Hyder

(74) *Attorney, Agent, or Firm* — Alan D. Kamrath; Kamrath IP Lawfirm, P.A.

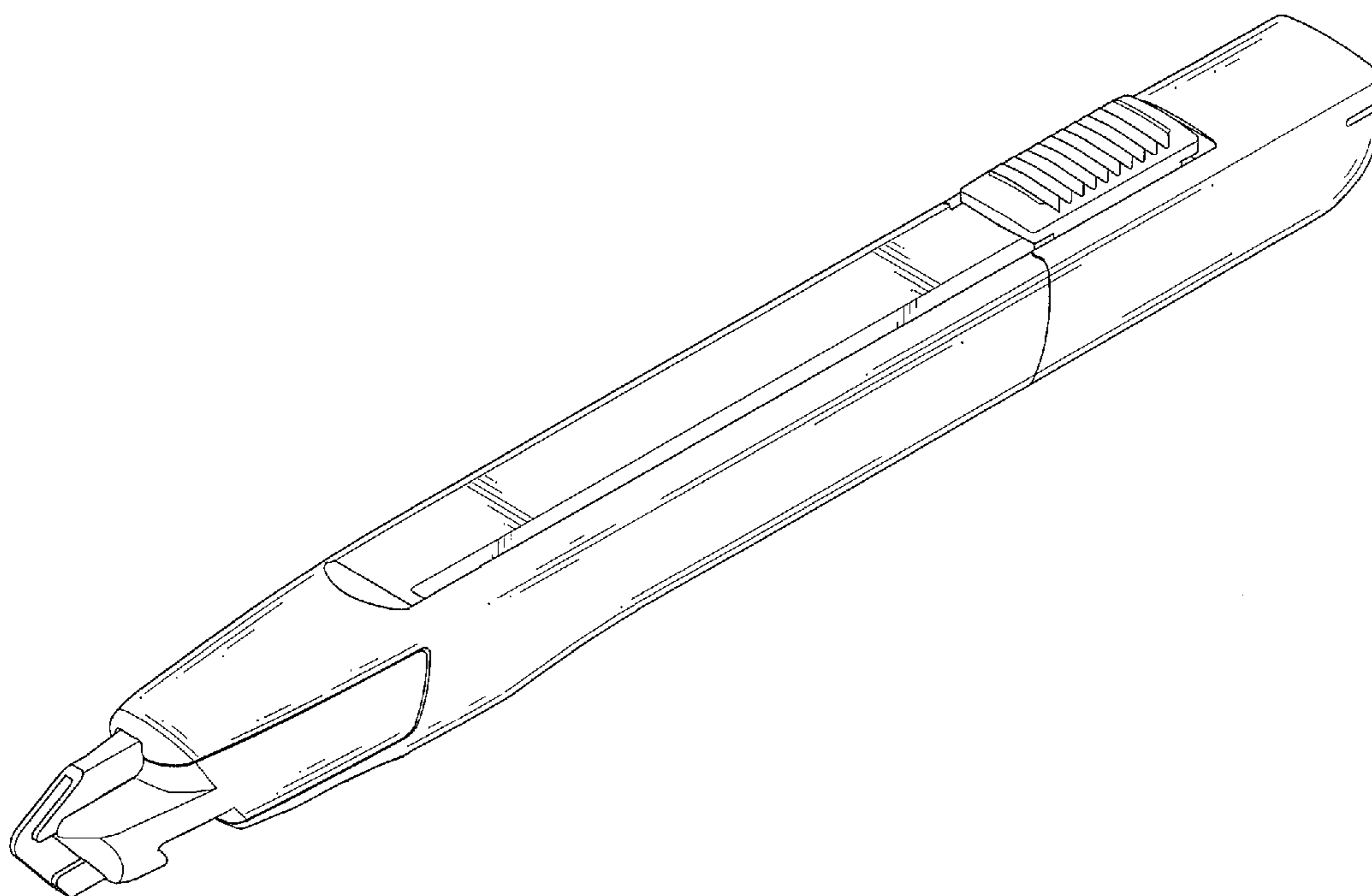
(57) **CLAIM**

The ornamental design for a cutter knife, as shown.

**DESCRIPTION**

FIG. 1 is a perspective view of a cutter knife showing my new design;  
FIG. 2 is a front view thereof;  
FIG. 3 is a rear view thereof;  
FIG. 4 is a top view thereof;  
FIG. 5 is a bottom view thereof;  
FIG. 6 is a left view thereof;  
FIG. 7 is a right view thereof; and,  
FIG. 8 is another perspective view thereof.

**1 Claim, 5 Drawing Sheets**



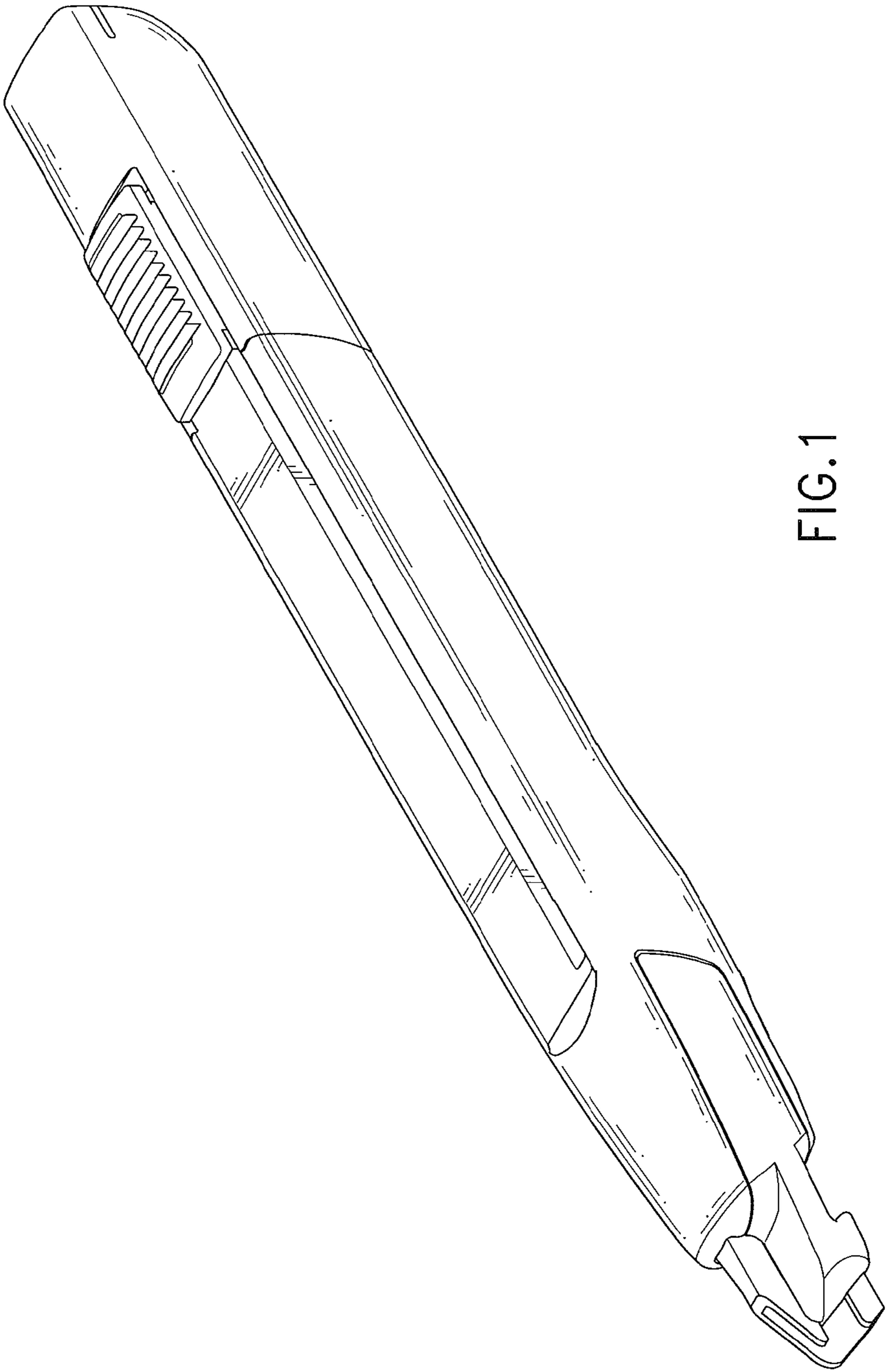


FIG. 1

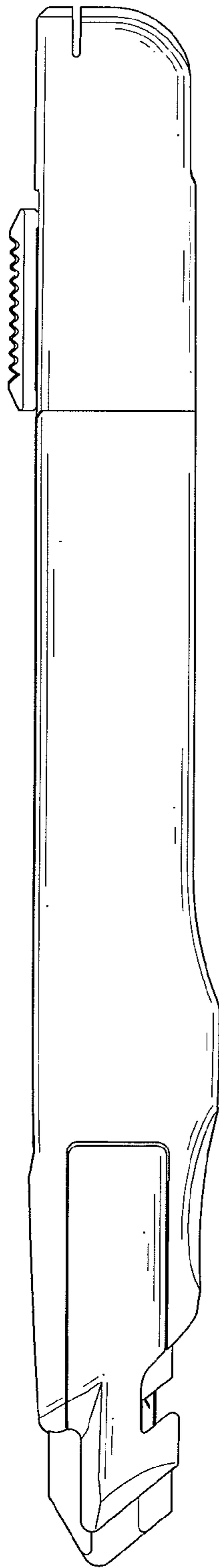


FIG. 2

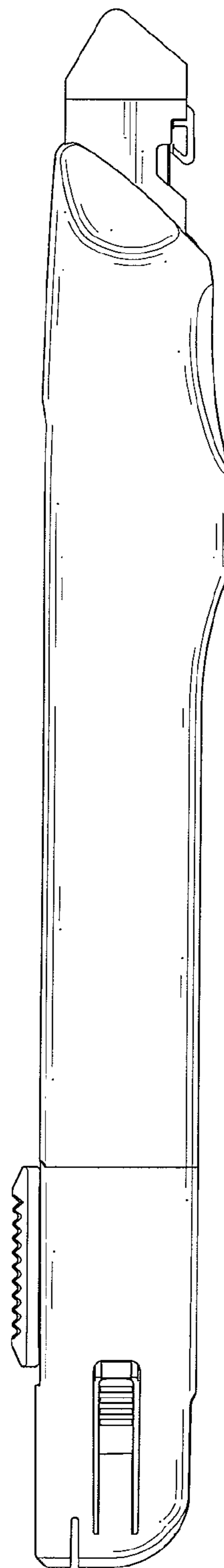


FIG. 3

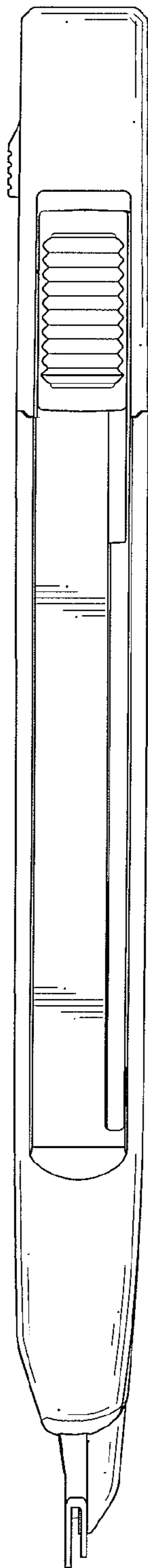


FIG. 4

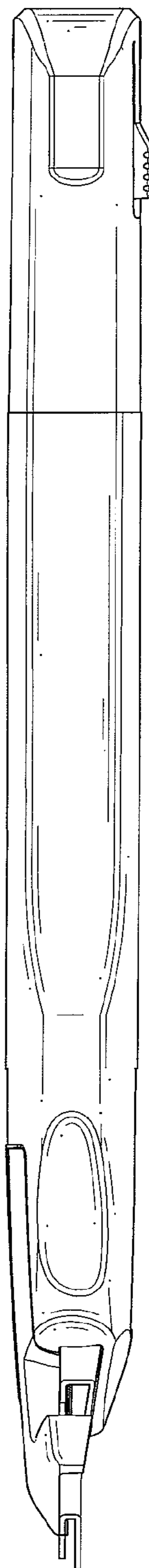


FIG. 5

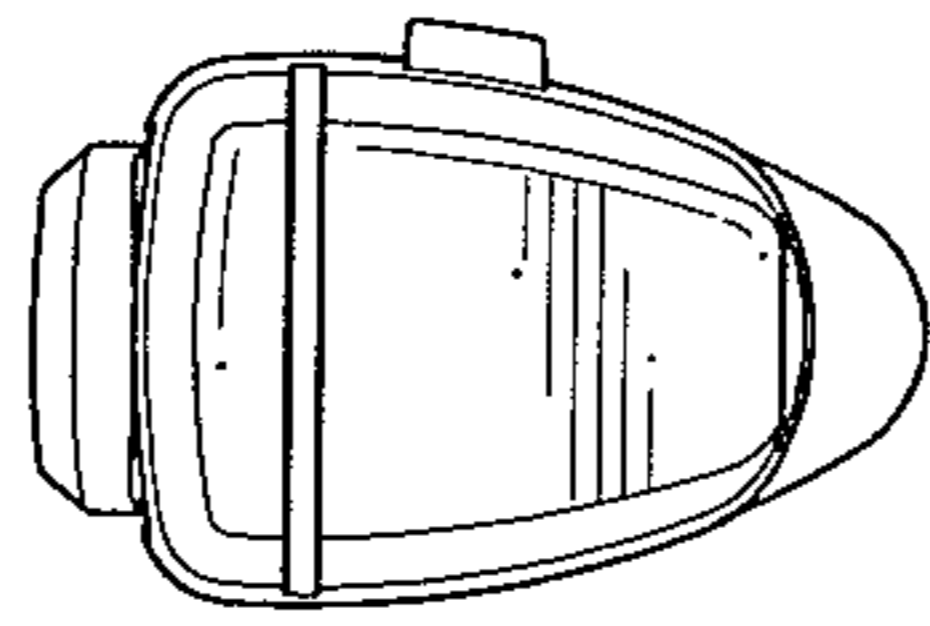


FIG. 7

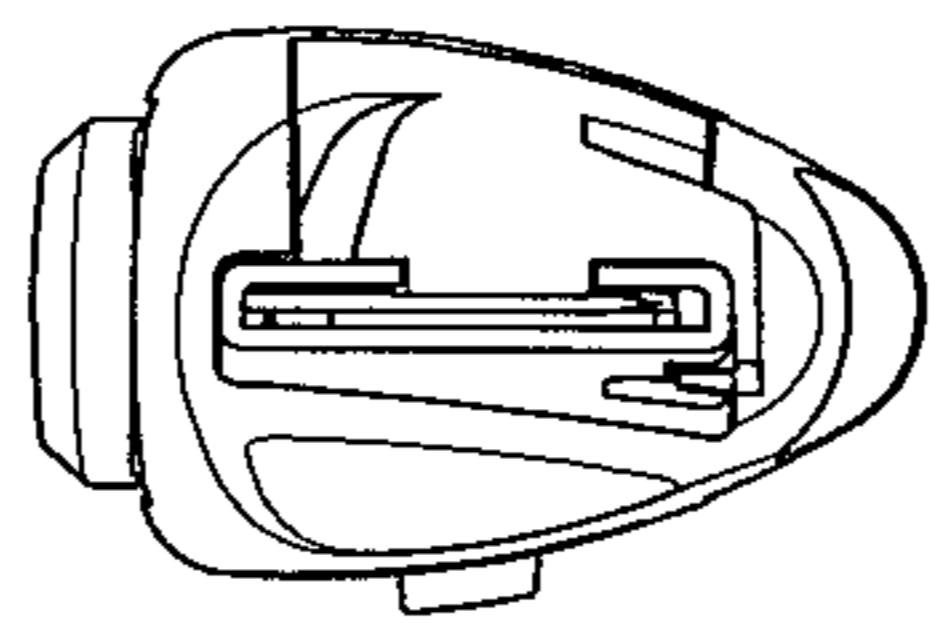


FIG. 6

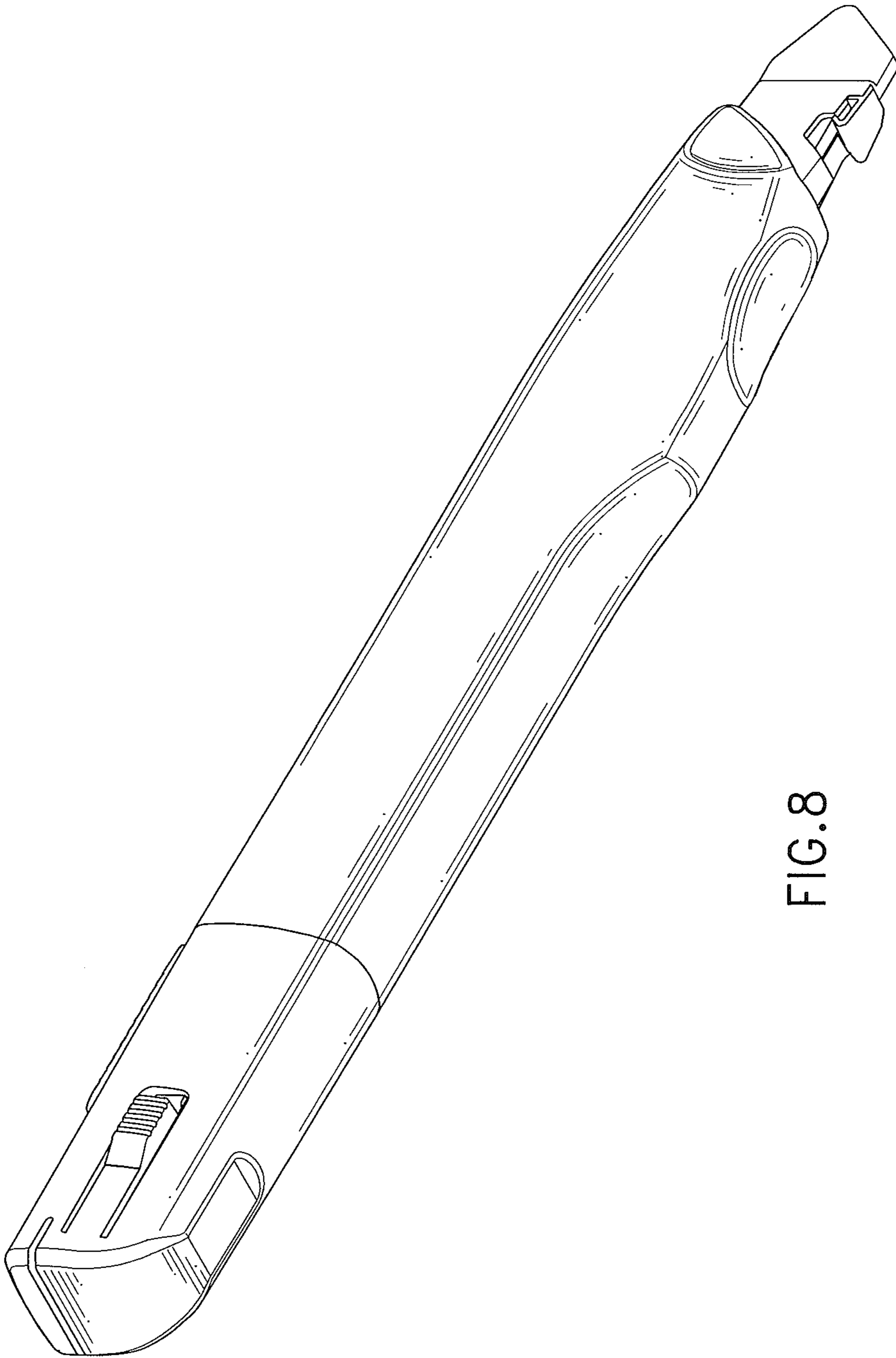


FIG.8