



US00D735010S

(12) **United States Design Patent**
Domroese et al.

(10) **Patent No.:** **US D735,010 S**
(45) **Date of Patent:** **** Jul. 28, 2015**

(54) **WINDOW FILM ATTACHMENT
APPLICATOR TOOL**

5,992,107 A 11/1999 Poirier
5,997,009 A 12/1999 Geise
6,116,315 A 9/2000 Field

(71) Applicant: **3M INNOVATIVE PROPERTIES
COMPANY**, Saint Paul, MN (US)

(Continued)

FOREIGN PATENT DOCUMENTS

(72) Inventors: **Michael K. Domroese**, Woodbury, MN
(US); **Paul A. Neumann**, Saint Paul,
MN (US); **Pauline E. Ludwig**, Neuss
(DE); **Andreas Höfer**, Dormagen (DE)

CA 2489759 2/2006
CA 2489798 2/2006

(Continued)

OTHER PUBLICATIONS

(73) Assignee: **3M INNOVATIVE PROPERTIES
COMPANY**, Saint Paul, MN (US)

English-language Abstract for DE 102012110658, dated May 8,
2013.

(**) Term: **14 Years**

Primary Examiner — Phillip S Hyder

(21) Appl. No.: **29/460,092**

(74) *Attorney, Agent, or Firm* — 3M Innovative Properties
Company; Carlos M. Téllez

(22) Filed: **Jul. 8, 2013**

(51) **LOC (10) Cl.** **08-03**

(52) **U.S. Cl.**
USPC **D8/98**

(58) **Field of Classification Search**
USPC D8/14, 51, 74, 98, 101; 30/314, 282,
30/287, 298, 294, 299, 329
CPC B26D 1/08; B26D 1/105
See application file for complete search history.

(57) **CLAIM**

The ornamental design for a window film attachment appli-
cator tool, as shown and described.

DESCRIPTION

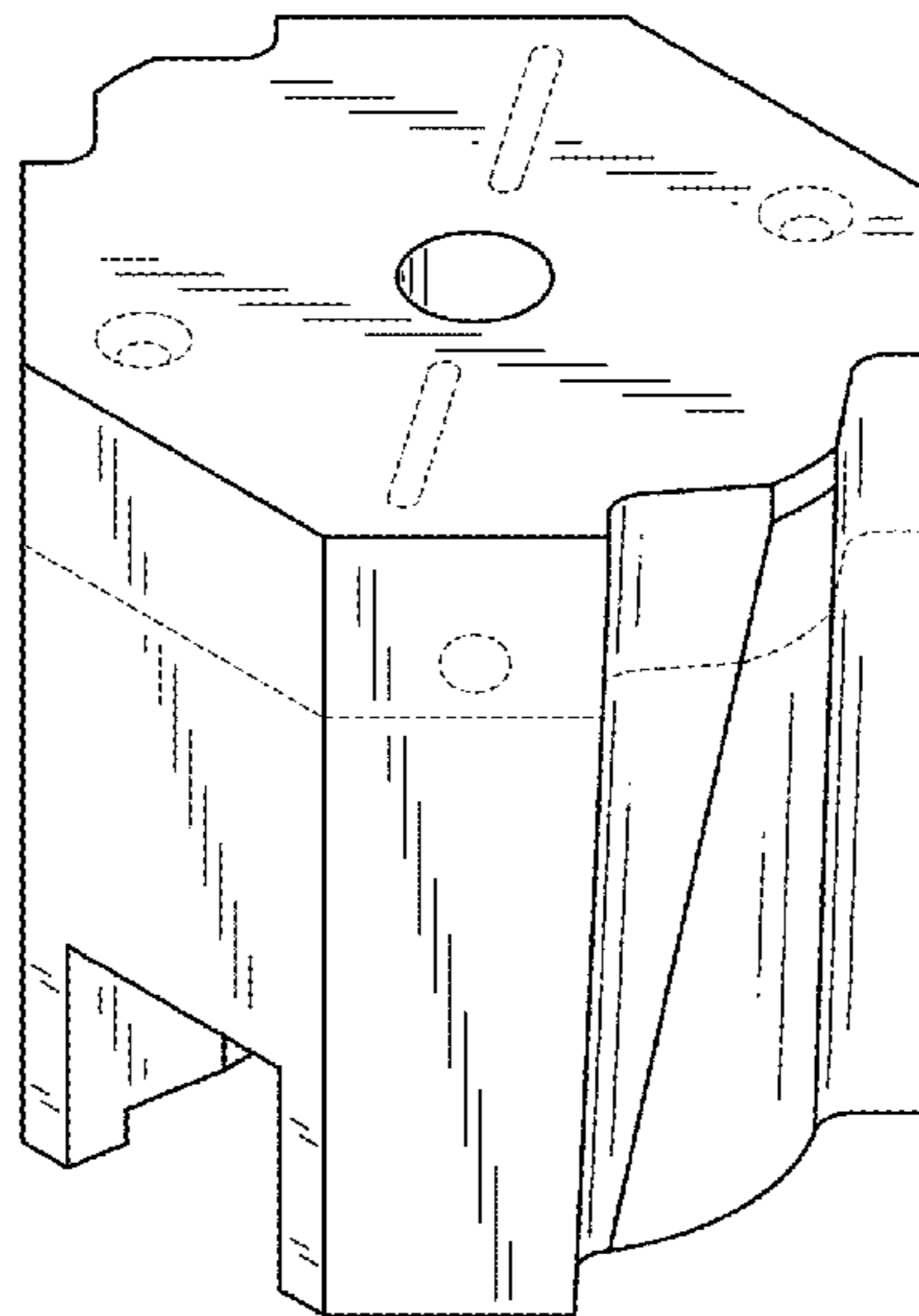
FIG. 1 is a top perspective view showing the new design for a
window film attachment applicator tool;
FIG. 2 is a first side view thereof;
FIG. 3 is a second side view thereof;
FIG. 4 is a third side view thereof;
FIG. 5 is a top view thereof;
FIG. 6 is a bottom view thereof;
FIG. 7 is a bottom perspective view thereof; and,
FIG. 8 is a cross-sectional view thereof, taken along line 8-8
in FIG. 5. Only one cross-sectional view is presented because
both left and right cross-sectional views are identical with
respect to the vertical plane chosen in this view.
The broken lines depict portions of the window film attach-
ment applicator tool in which the design is embodied that are
not considered part of the claimed design.

(56) **References Cited**

U.S. PATENT DOCUMENTS

3,925,145 A 12/1975 Ames
4,064,626 A * 12/1977 Meshulam et al. 30/287
4,284,464 A 8/1981 Förster
D261,855 S * 11/1981 Neal et al. D8/98
4,327,618 A * 5/1982 Menard 83/468
4,328,730 A * 5/1982 Coplan et al. 83/581
D265,963 S * 8/1982 Murdock et al. D8/98
4,345,497 A * 8/1982 Cobleigh et al. 83/105
D330,498 S * 10/1992 Ronan D8/98
D409,407 S * 5/1999 Wang D6/375
5,975,181 A 11/1999 Lafond

1 Claim, 4 Drawing Sheets



US D735,010 S

Page 2

(56)

References Cited

U.S. PATENT DOCUMENTS

6,230,410 B1 * 5/2001 Taylor et al. 30/293
6,360,804 B1 3/2002 Field
6,513,854 B2 2/2003 Lagrue
6,931,799 B2 8/2005 Webb
D525,851 S * 8/2006 Turnbull et al. D8/98
D558,554 S * 1/2008 Carbonaro D8/98
7,784,233 B2 8/2010 Friedlich

2007/0107342 A1 5/2007 Friedlich
2009/0151255 A1 6/2009 Haak
2009/0320406 A1 12/2009 Dyer

FOREIGN PATENT DOCUMENTS

DE 102012110658 5/2013
EP 0362034 4/1990

* cited by examiner

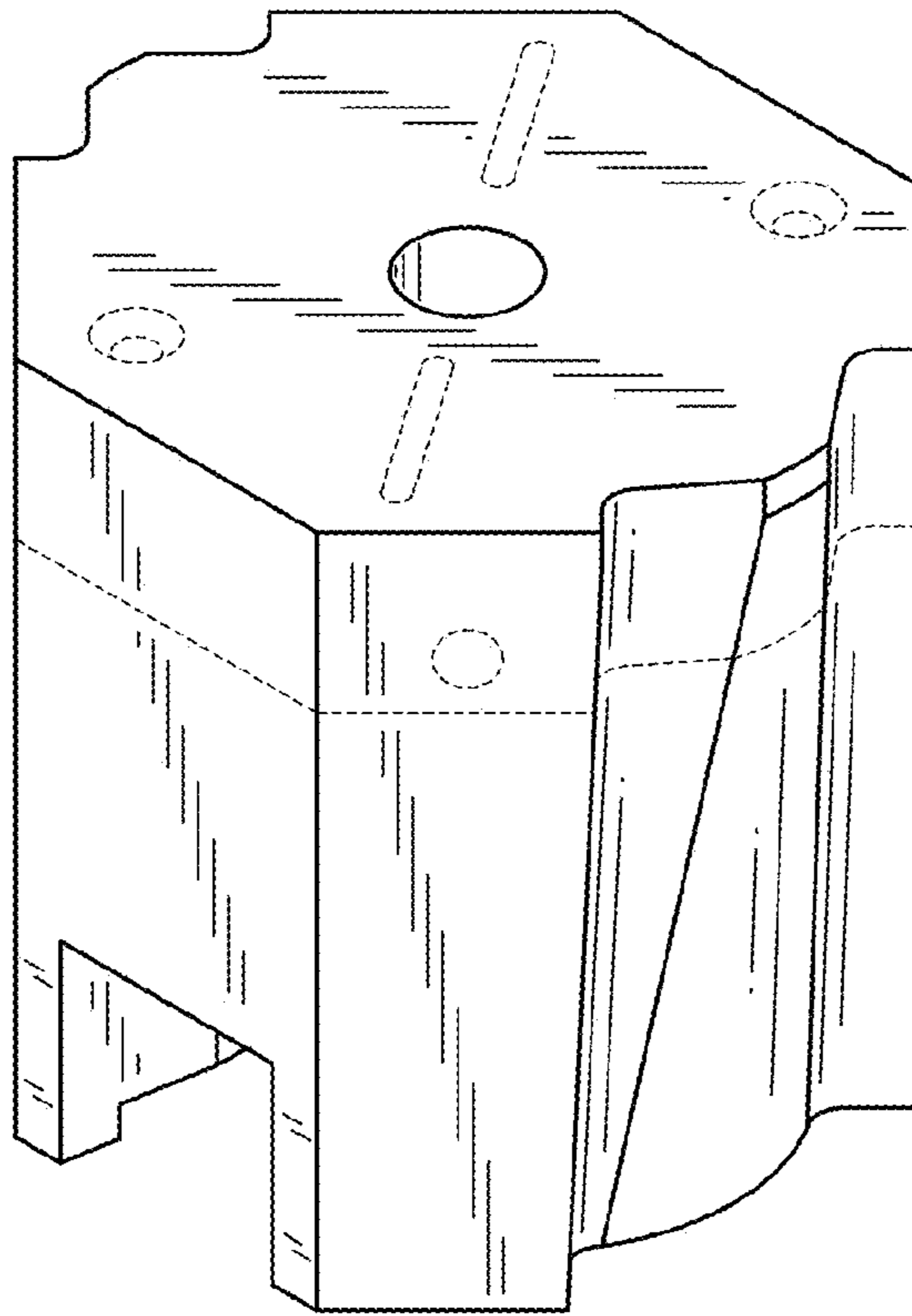


FIG. 1

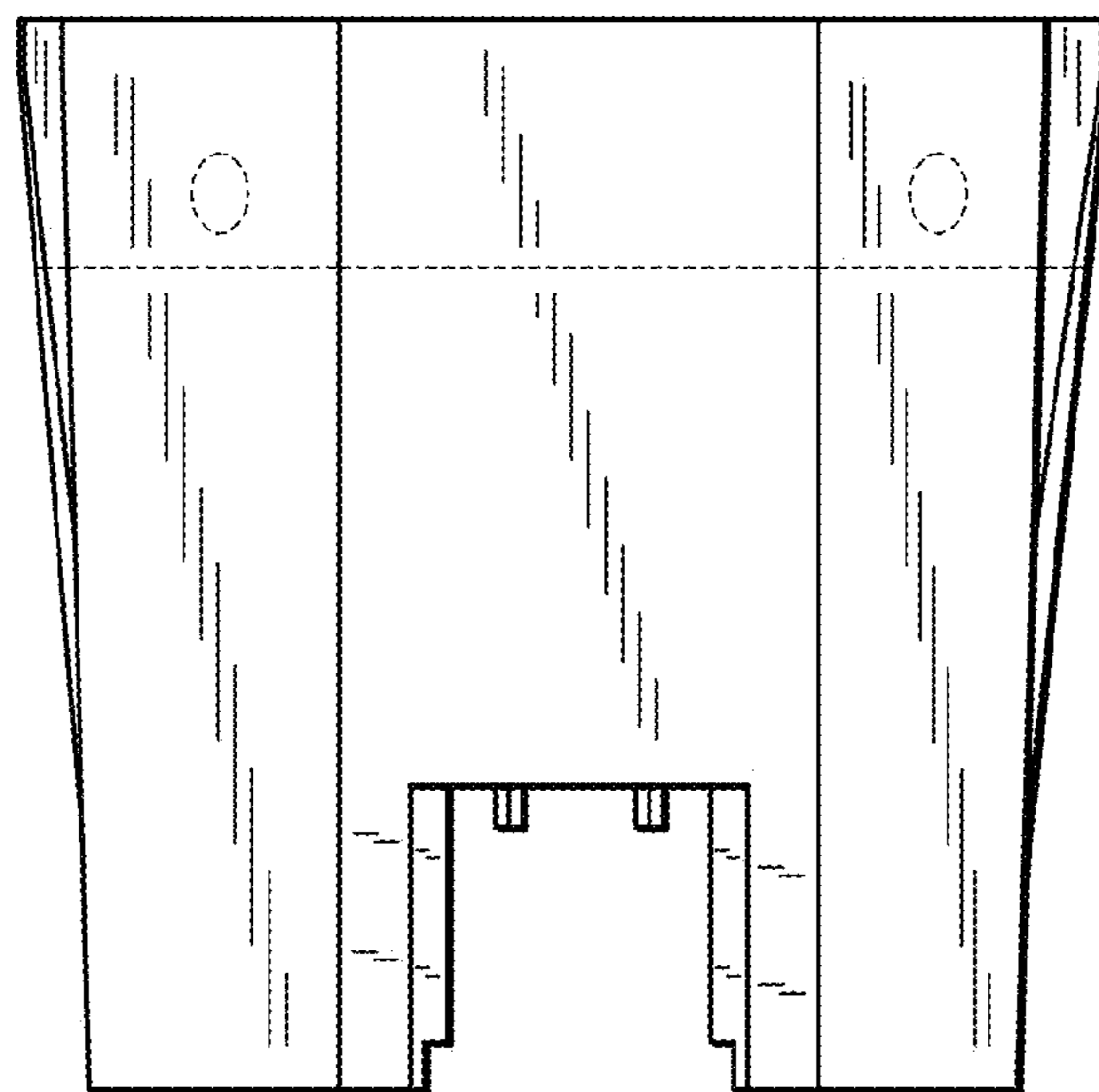


FIG. 2

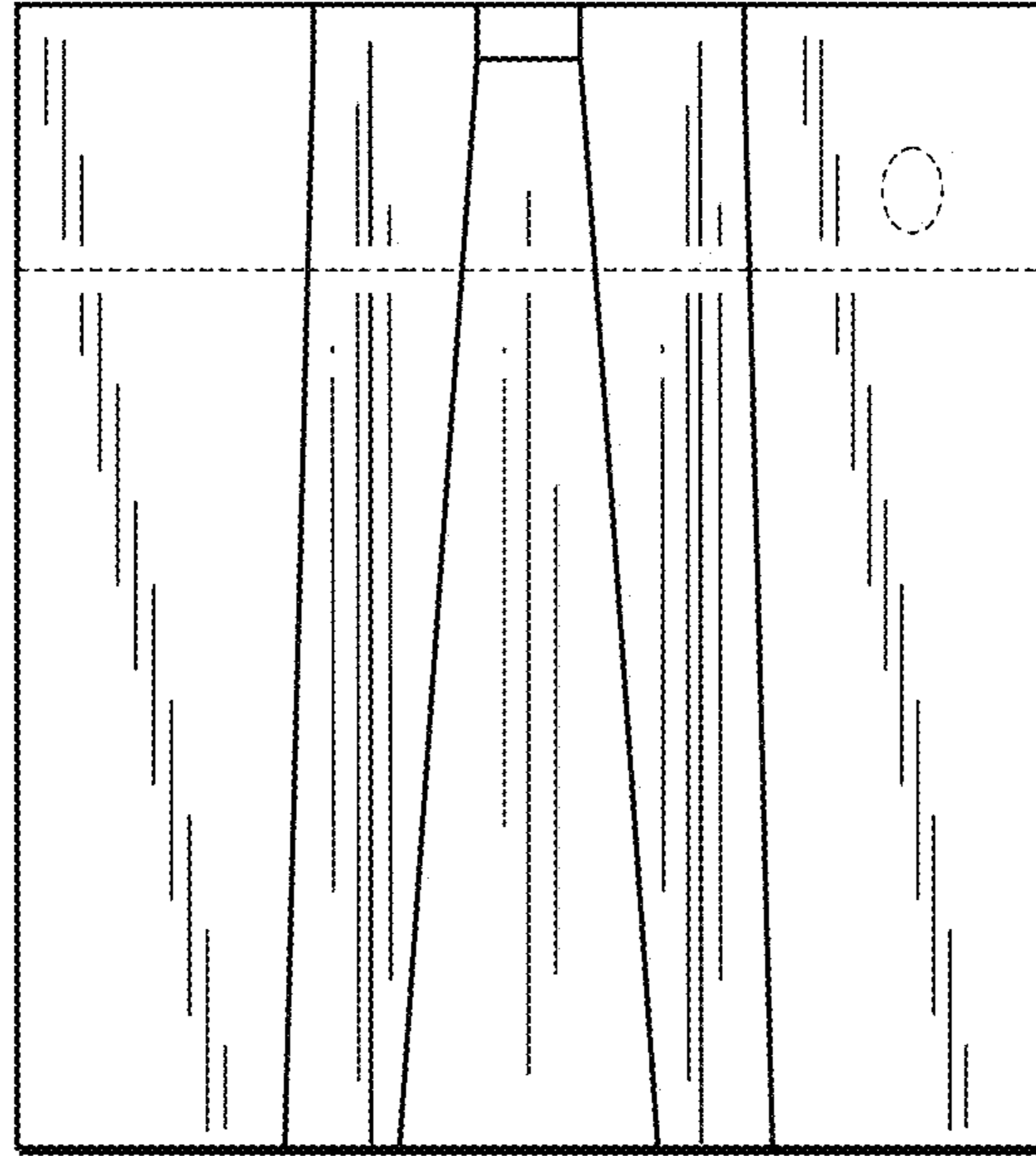


FIG. 3

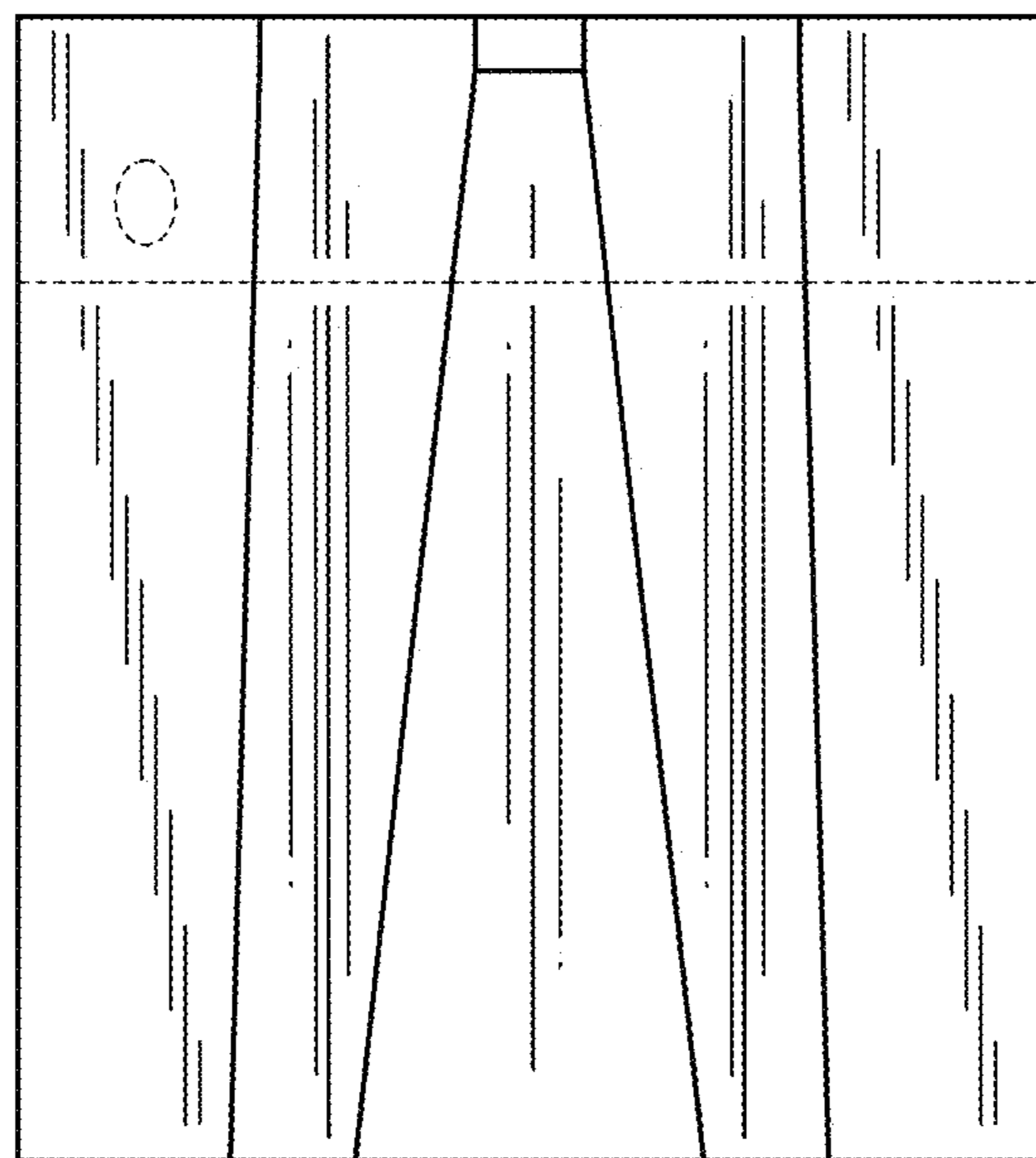


FIG. 4

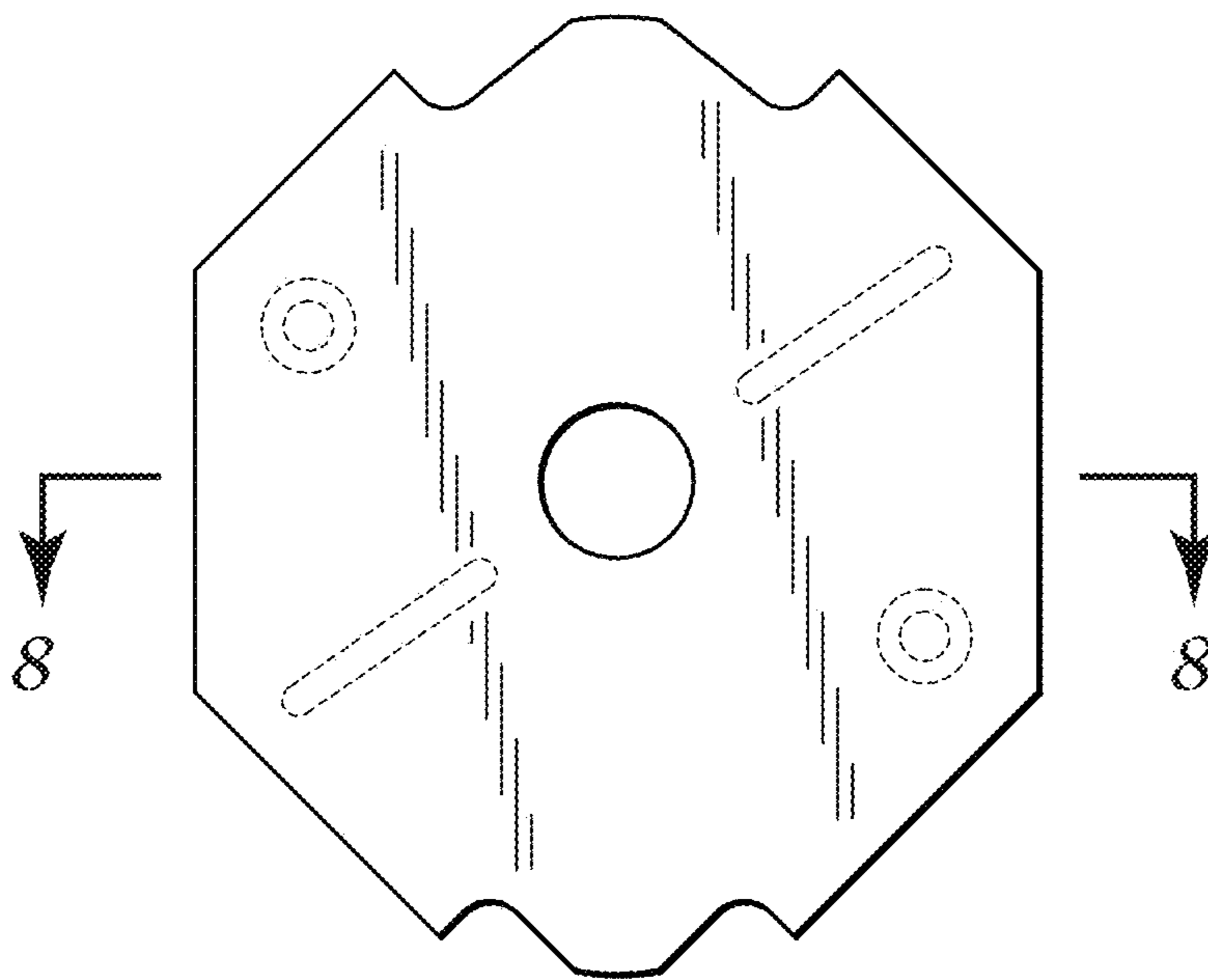


FIG. 5

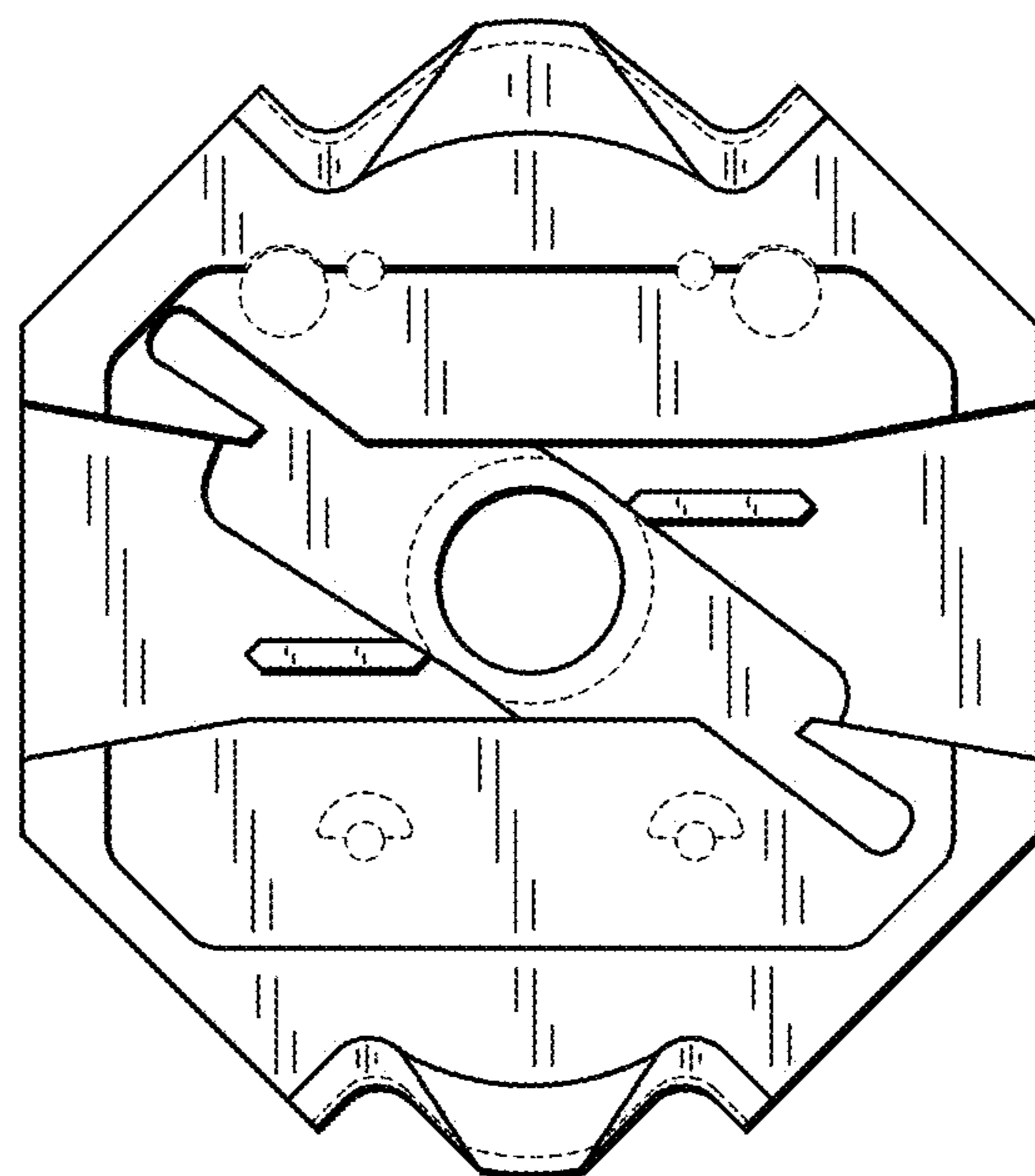


FIG. 6

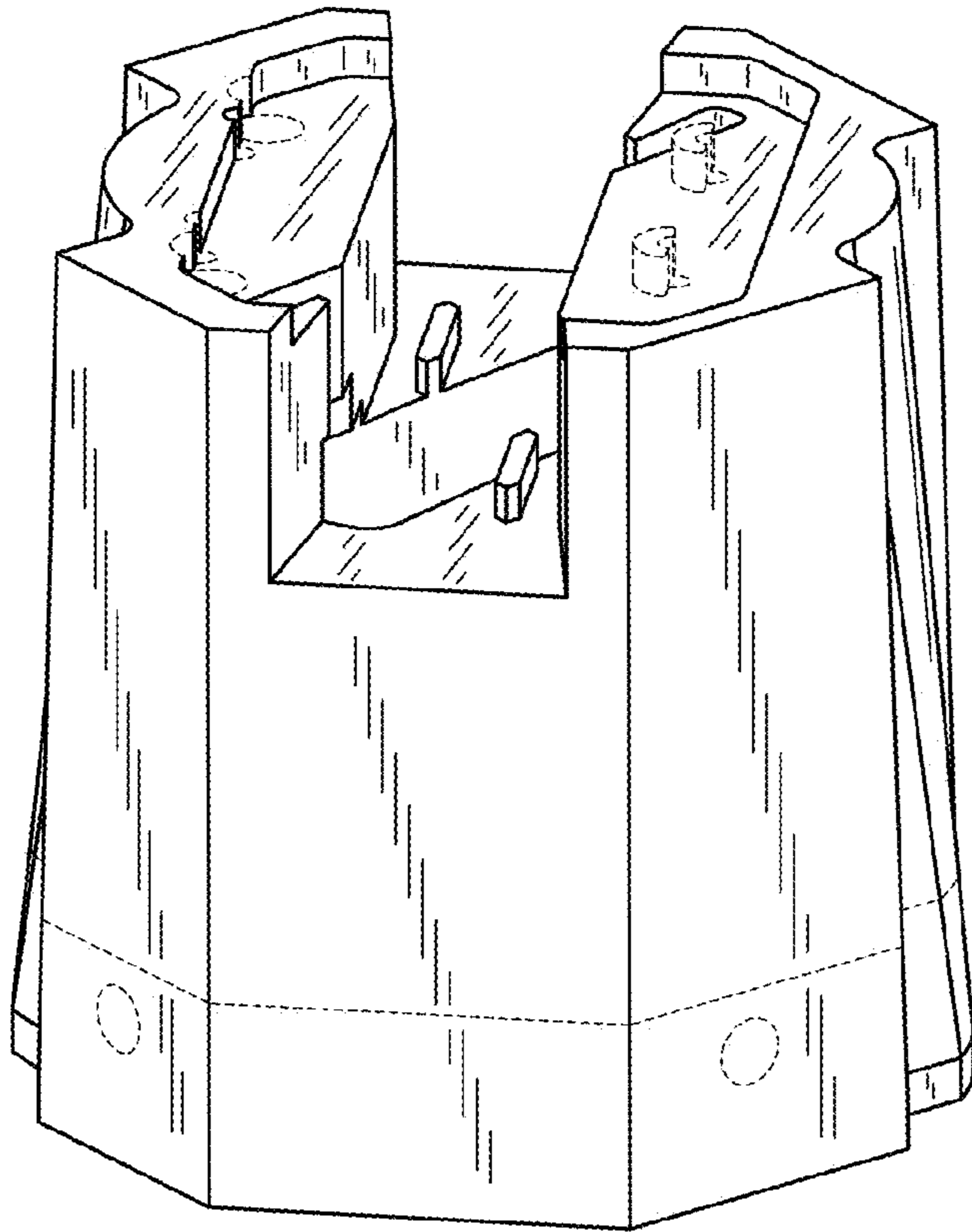


FIG. 7

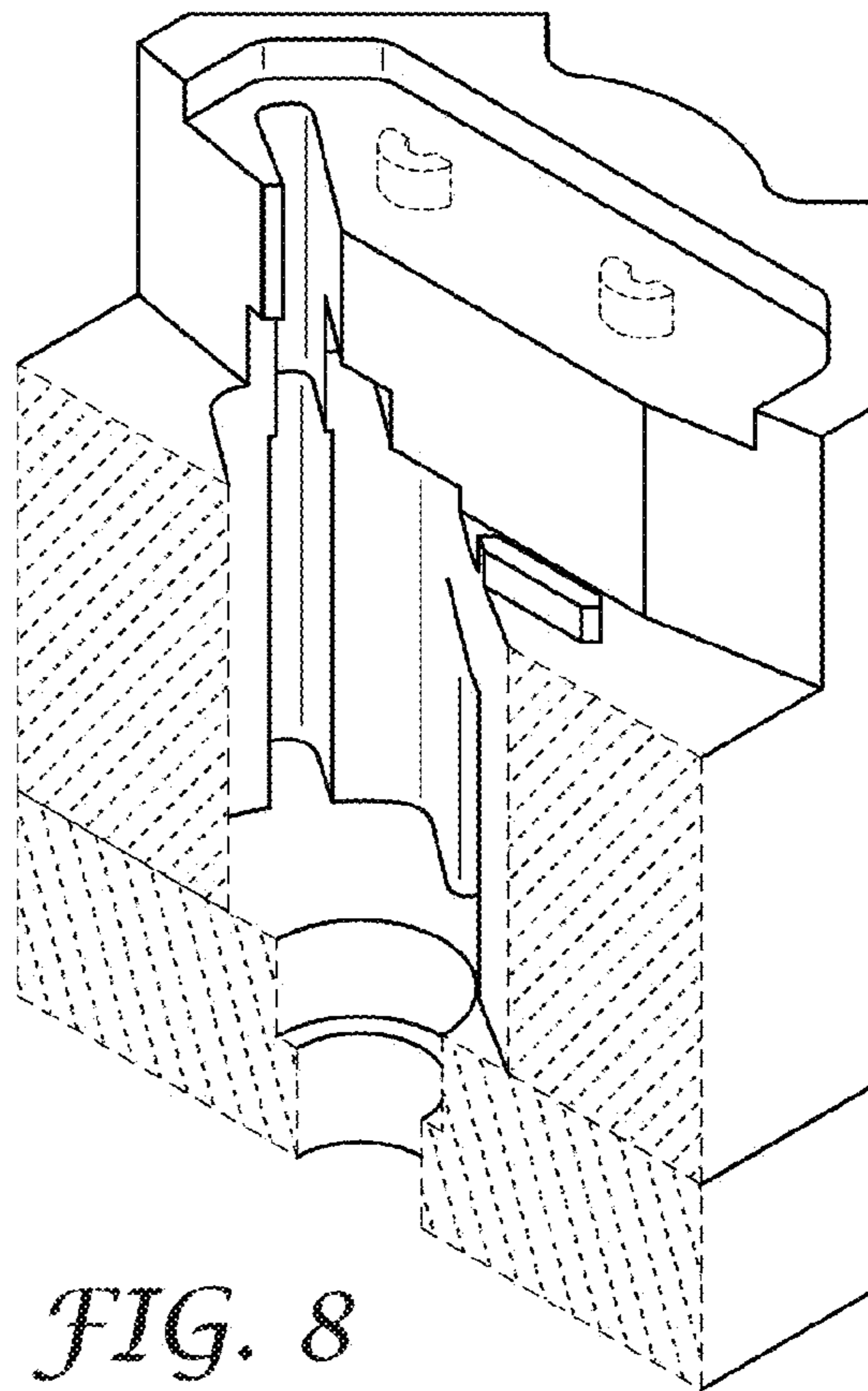


FIG. 8