



US00D735009S

(12) **United States Design Patent**
Domroese et al.

(10) **Patent No.:** **US D735,009 S**
(45) **Date of Patent:** **** Jul. 28, 2015**

(54) **CUTTING PLATE FOR A WINDOW FILM ATTACHMENT APPLICATOR TOOL**

FOREIGN PATENT DOCUMENTS

(71) Applicant: **3M INNOVATIVE PROPERTIES COMPANY**, Saint Paul, MN (US)

CA 2489759 2/2006
CA 2489798 2/2006

(Continued)

(72) Inventors: **Michael K. Domroese**, Woodbury, MN (US); **Paul A. Neumann**, Saint Paul, MN (US)

OTHER PUBLICATIONS

English-language Abstract for DE 102012110658, dated May 8, 2013.

(73) Assignee: **3M INNOVATIVE PROPERTIES COMPANY**, Saint Paul, MN (US)

Primary Examiner — Phillip S Hyder

(74) *Attorney, Agent, or Firm* — 3M Innovative Properties Company; Carlos M. Téllez

(**) Term: **14 Years**

(21) Appl. No.: **29/460,088**

(57) **CLAIM**

The ornamental designs for cutting plate for a window film attachment applicator tool, as shown and described.

(22) Filed: **Jul. 8, 2013**

(51) **LOC (10) Cl.** **08-03**

(52) **U.S. Cl.**
USPC **D8/98; D8/71**

(58) **Field of Classification Search**
USPC D8/14, 74, 51, 98, 101; 30/287, 286, 30/282, 314
CPC B26D 1/08; B26D 1/105
See application file for complete search history.

DESCRIPTION

FIG. 1 is a top perspective view of one embodiment of the new design for a cutting plate for a window film attachment applicator tool;
FIG. 2 is a top view thereof;
FIG. 3 is a first side view thereof;
FIG. 4 is a second side view thereof;
FIG. 5 is a third side view thereof;
FIG. 6 is a bottom view thereof;
FIG. 7 is a top perspective view of another embodiment of the new design for a cutting plate for a window film attachment applicator tool;
FIG. 8 is a top view thereof;
FIG. 9 is a first side view thereof;
FIG. 10 is a second side view thereof;
FIG. 11 is a third side view thereof; and,
FIG. 12 is a bottom view thereof.
The broken lines depict portions of the cutting plate for a window film attachment applicator tool in which the design is embodied that are not considered part of the claimed design.

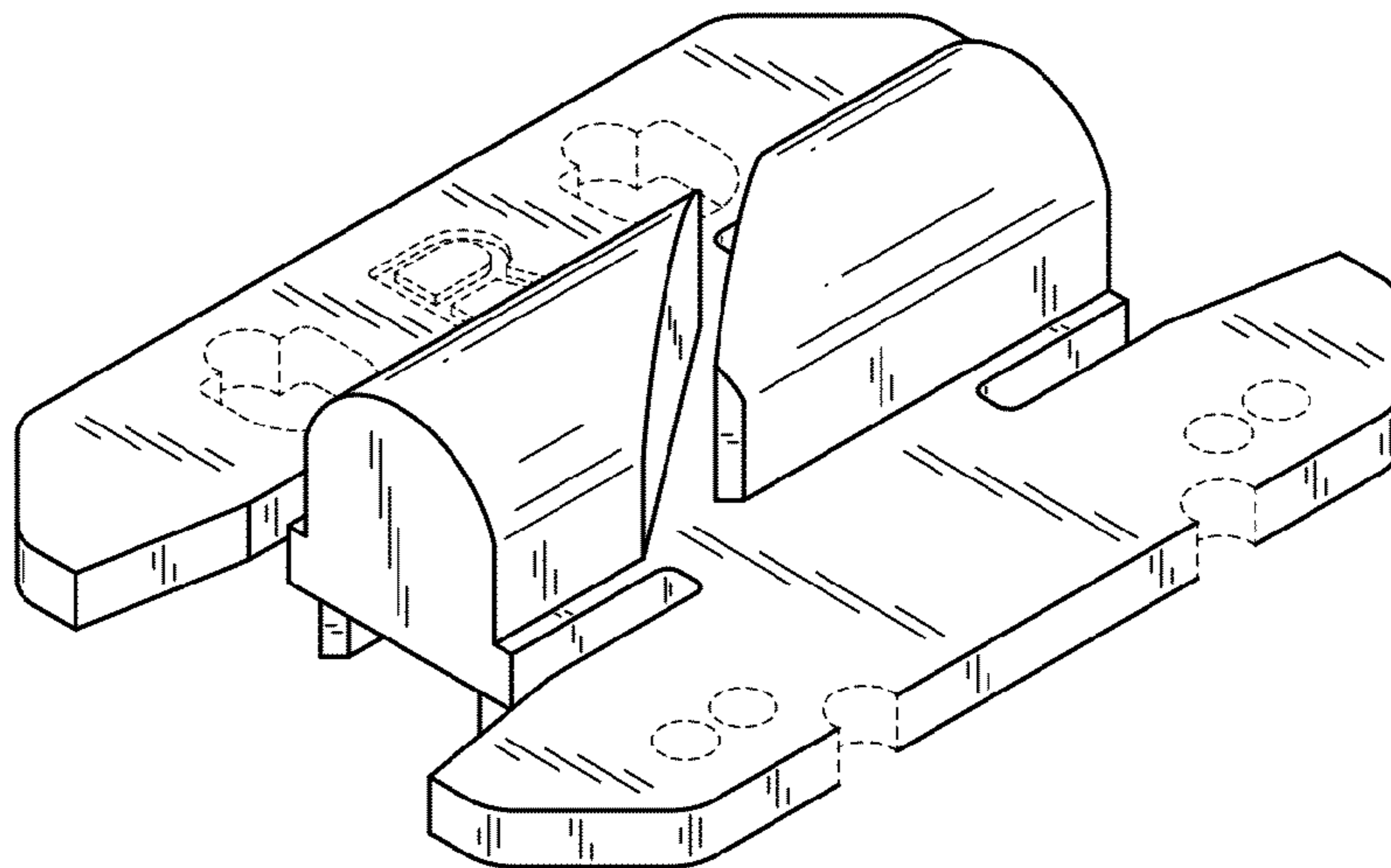
(56) **References Cited**

U.S. PATENT DOCUMENTS

3,925,145	A	12/1975	Ames	
4,284,464	A	8/1981	Förster	
4,437,375	A *	3/1984	Elmore et al.	83/762
D277,932	S *	3/1985	Baptiste	D8/71
D298,795	S *	12/1988	Belsham	D8/71
D363,201	S *	10/1995	Hill et al.	D8/71
5,975,181	A	11/1999	Lafond	
5,992,107	A	11/1999	Poirier	
5,997,009	A	12/1999	Geise	
6,116,315	A	9/2000	Field	
D431,767	S *	10/2000	Jiminez et al.	D8/71
6,151,790	A *	11/2000	Whitfield	33/533
6,360,804	B1	3/2002	Field	

(Continued)

1 Claim, 4 Drawing Sheets



(56)

References Cited

2009/0151255 A1 6/2009 Haak
2009/0320406 A1 12/2009 Dyer

U.S. PATENT DOCUMENTS

6,477,929 B1 * 11/2002 Gibbs, Sr. 83/13
6,513,854 B2 2/2003 Lagrue
6,931,799 B2 8/2005 Webb
D538,622 S * 3/2007 Jones et al. D8/74
7,784,233 B2 8/2010 Friedlich
2007/0107342 A1 5/2007 Friedlich

FOREIGN PATENT DOCUMENTS

DE 102012110658 5/2013
EP 0362034 4/1990

* cited by examiner

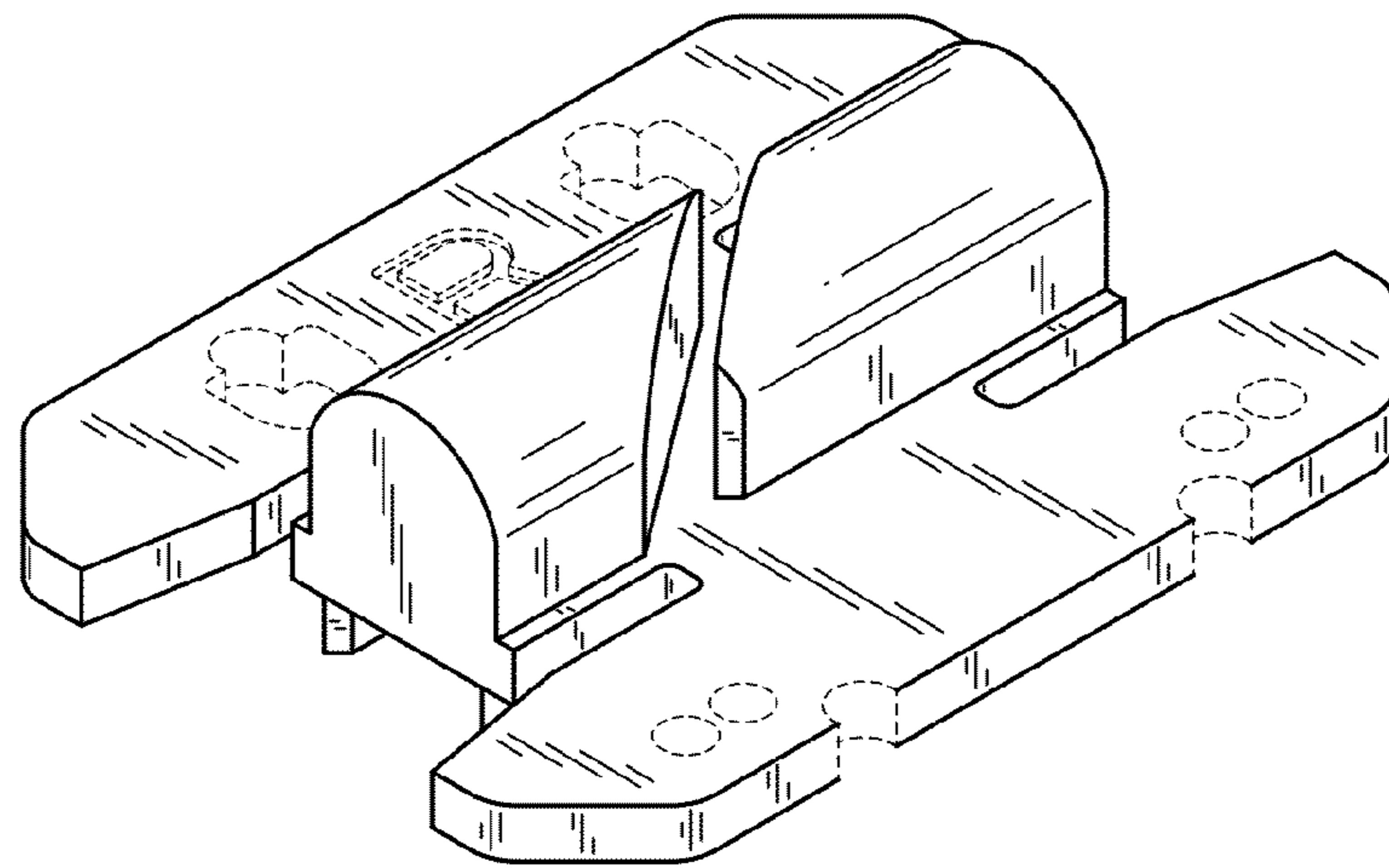


FIG. 1

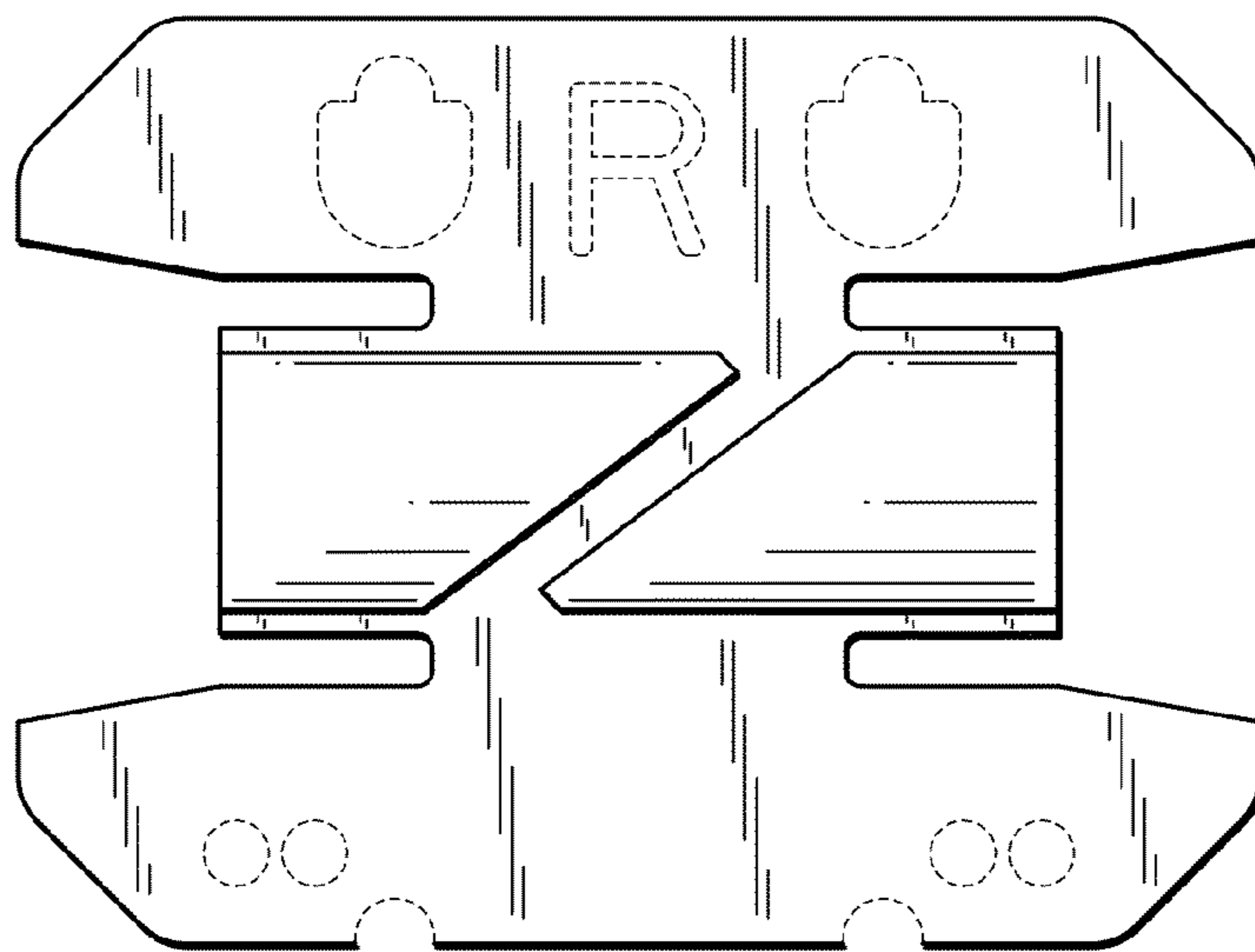


FIG. 2

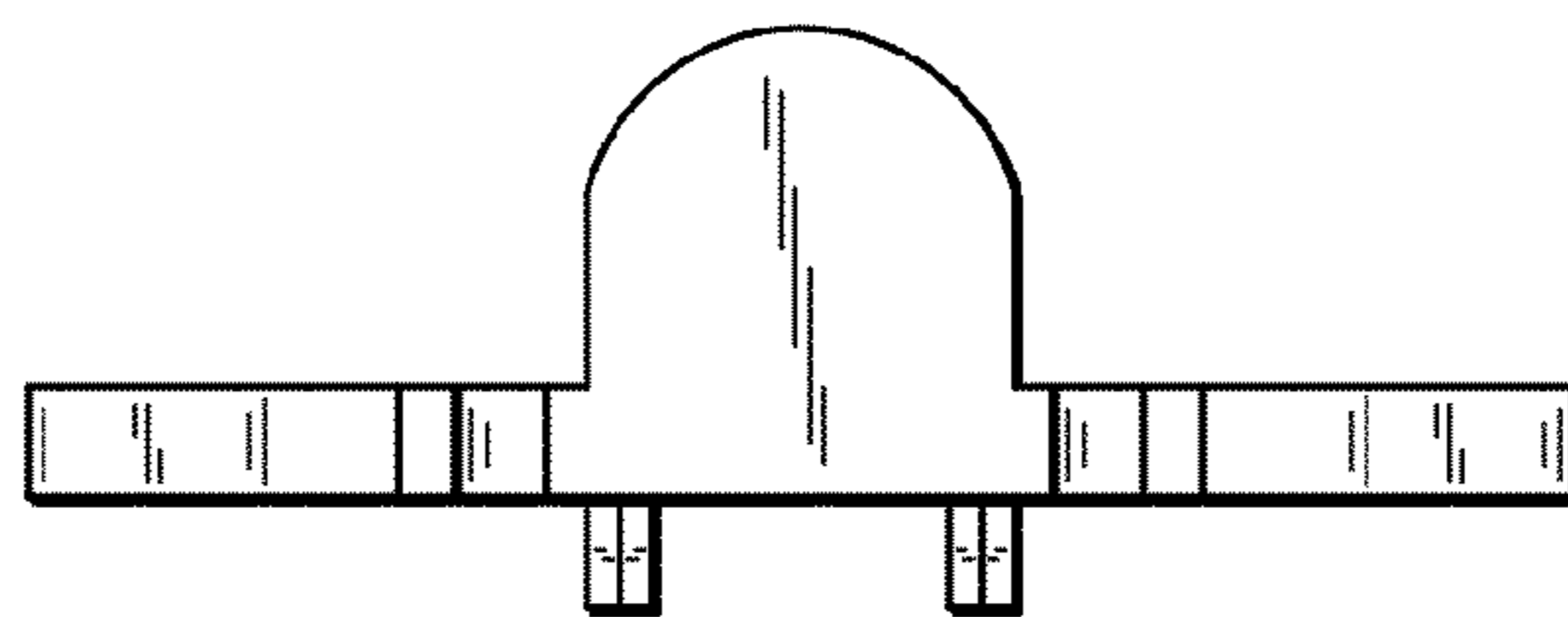


FIG. 3

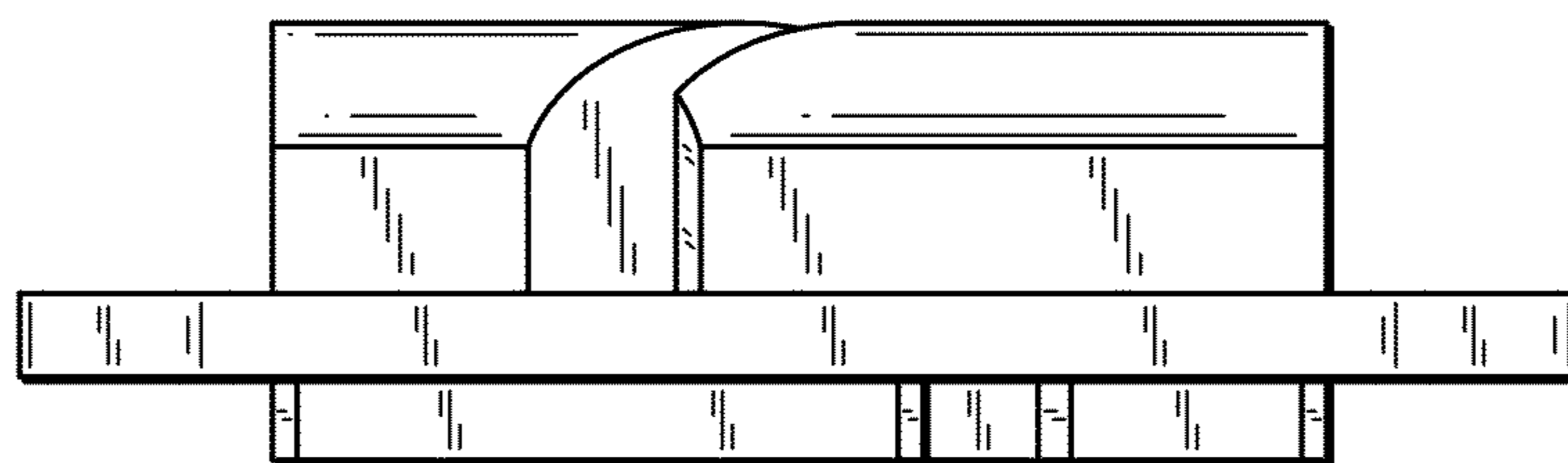


FIG. 4

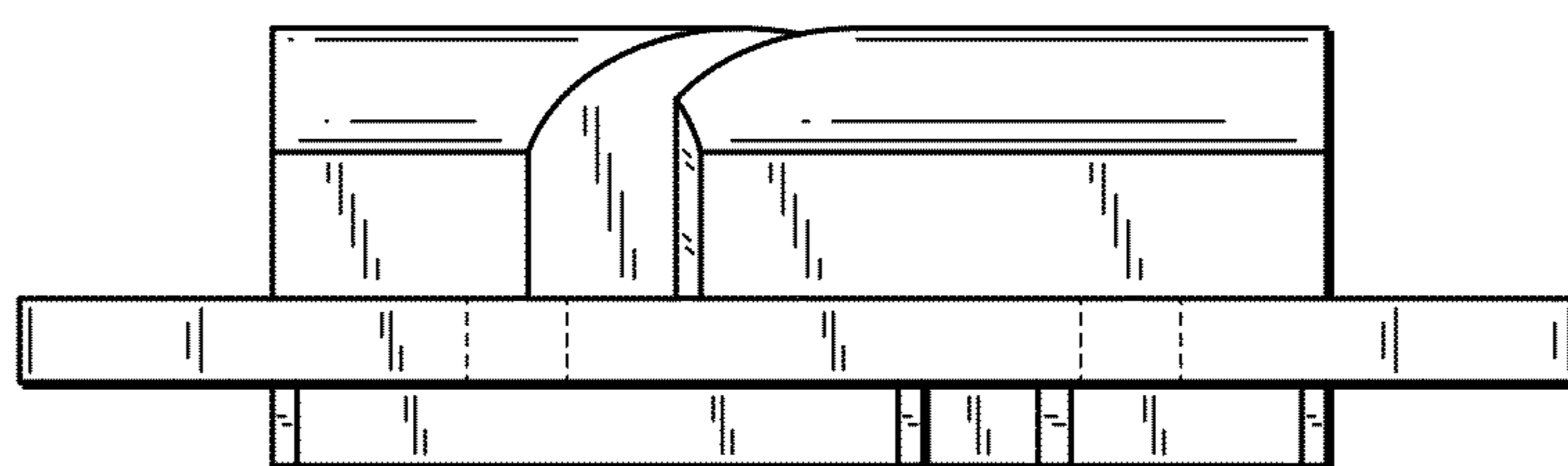


FIG. 5

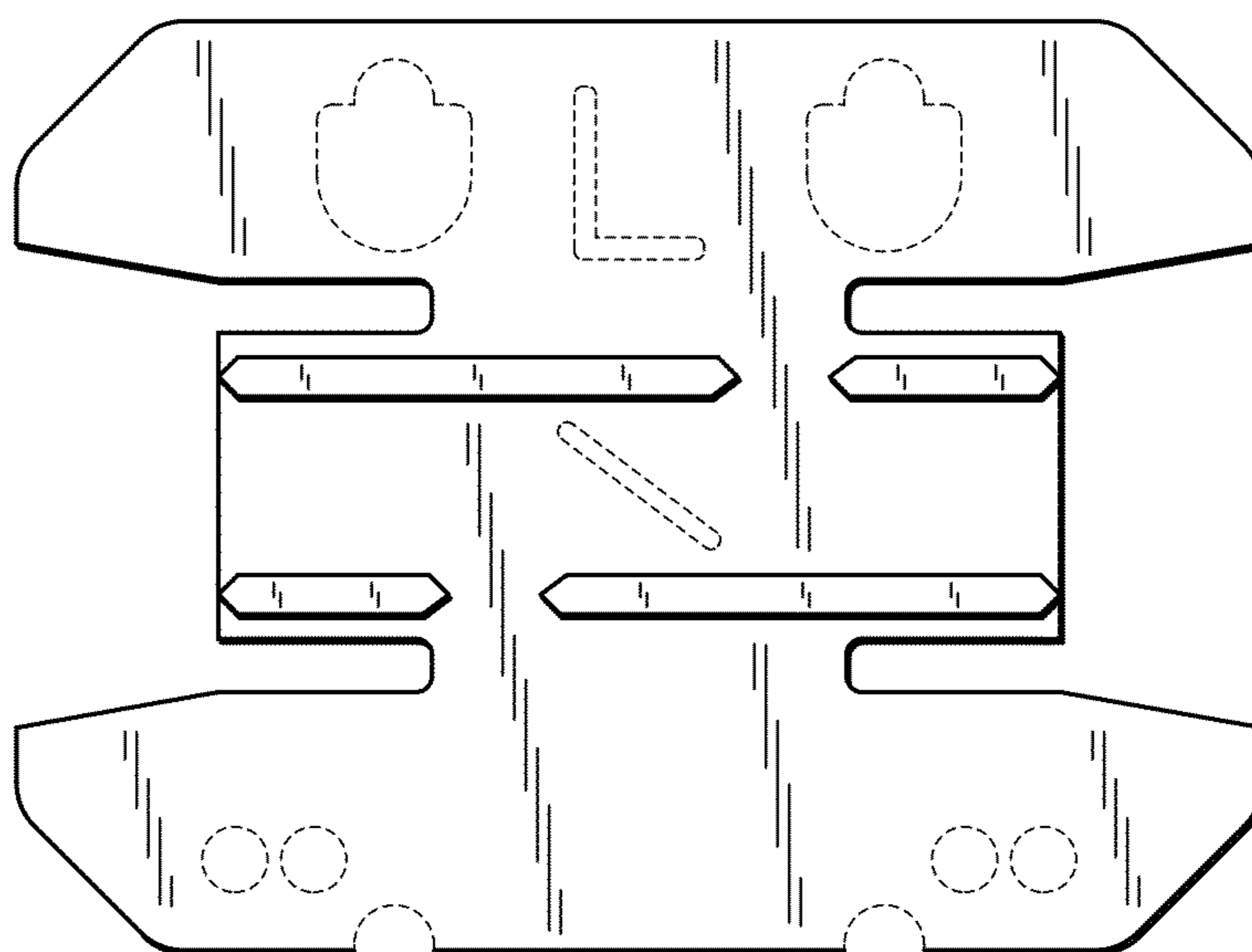


FIG. 6

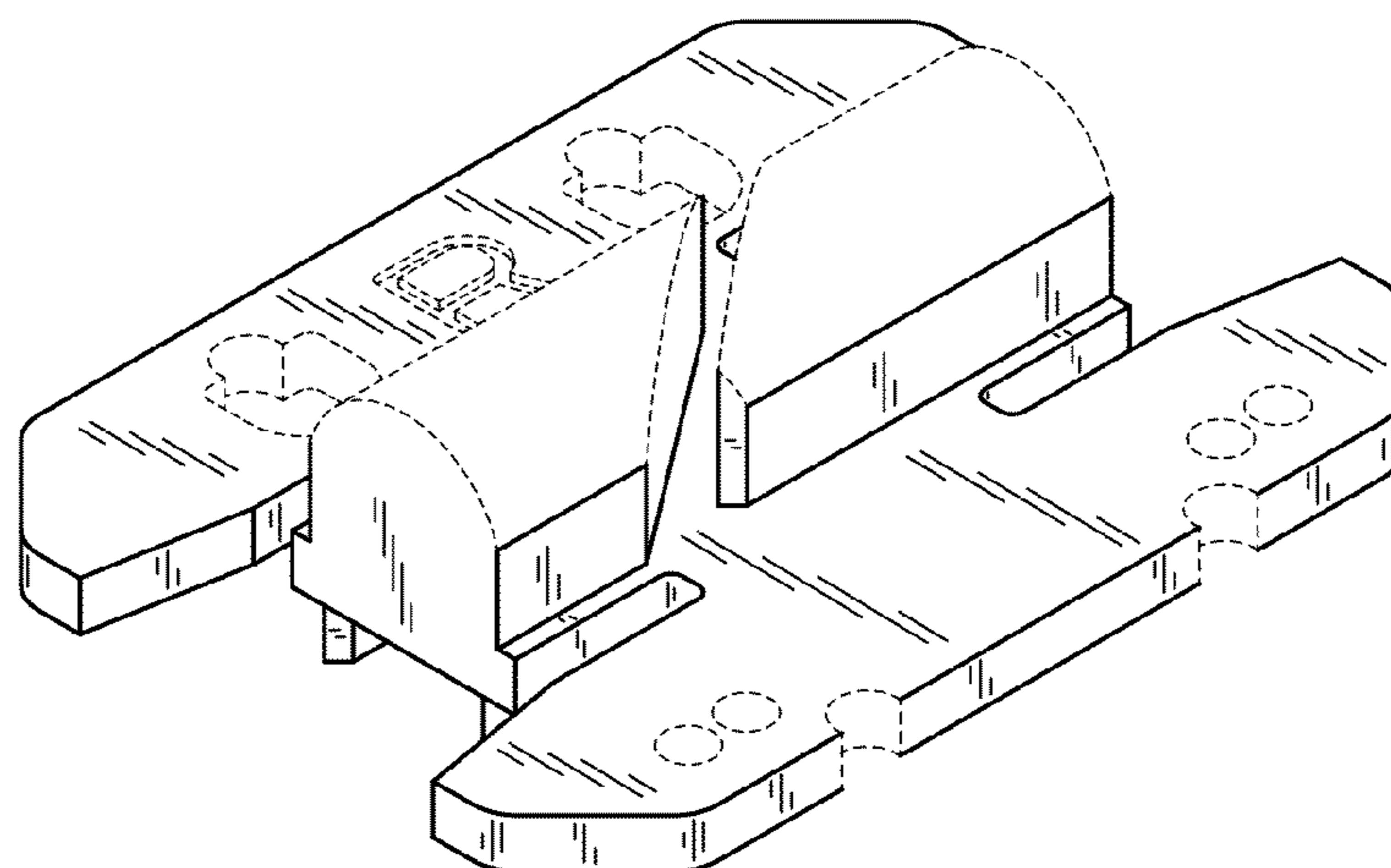


FIG. 7

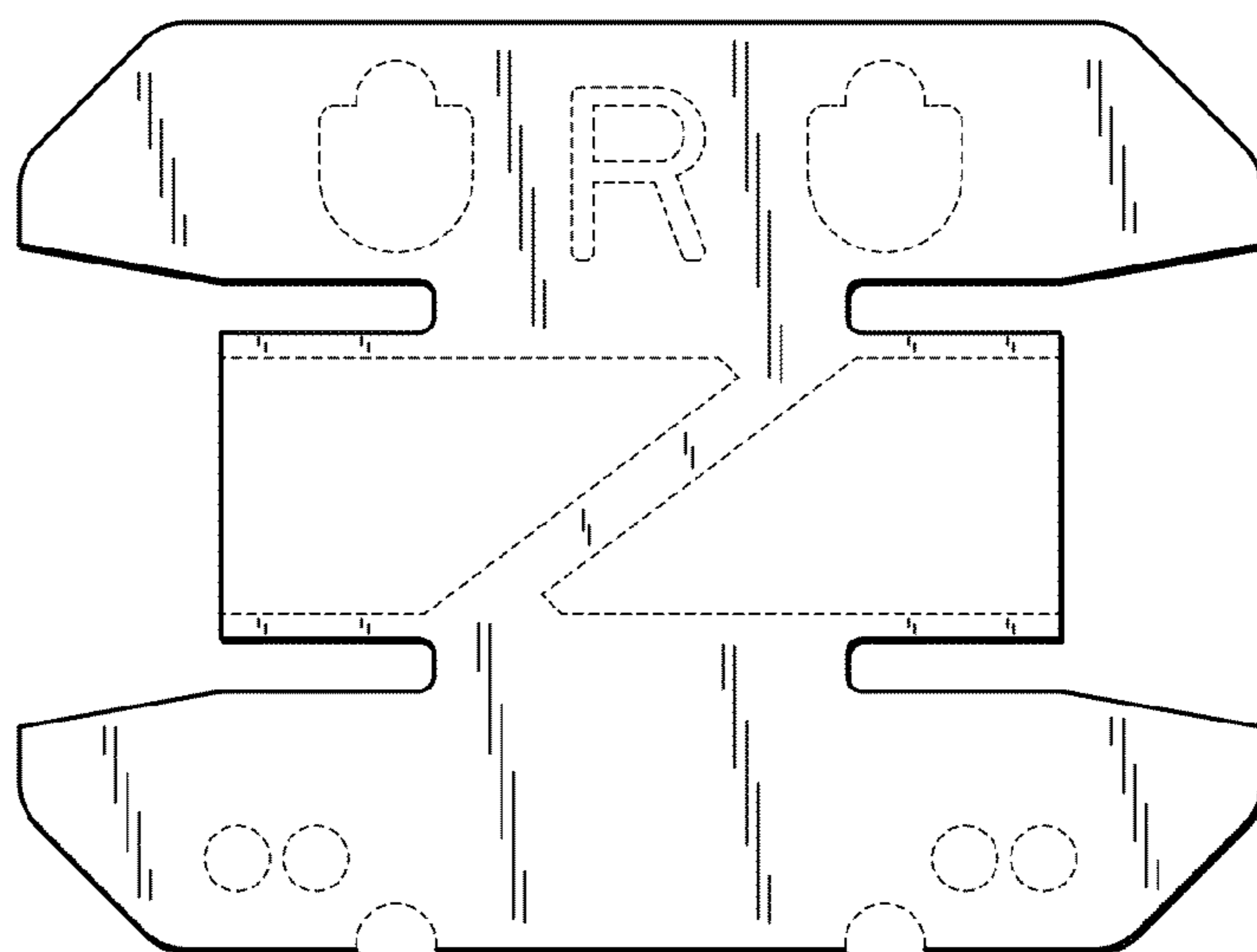


FIG. 8

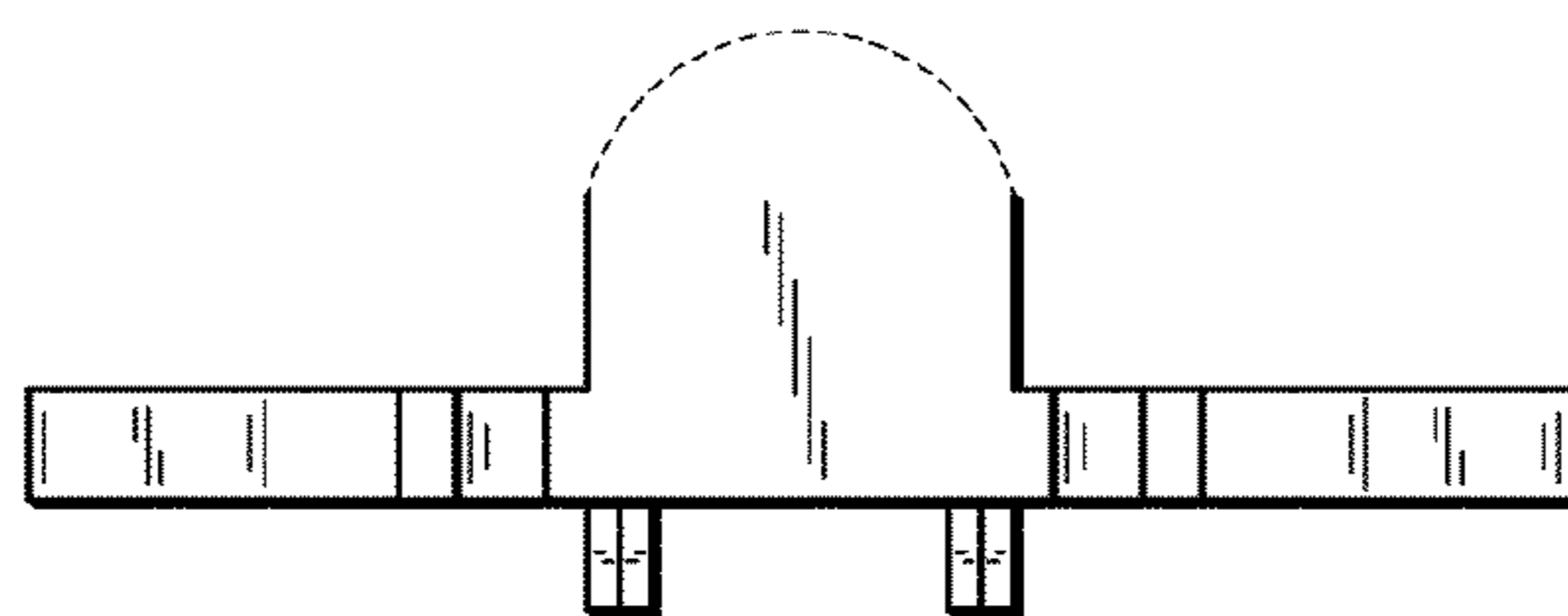


FIG. 9

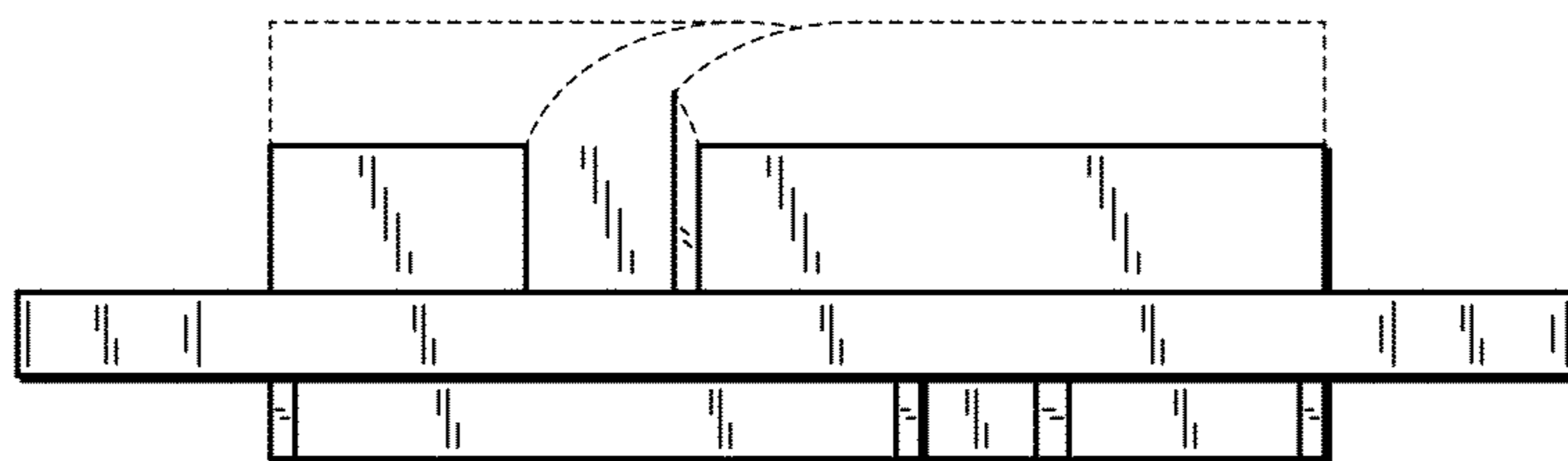


FIG. 10

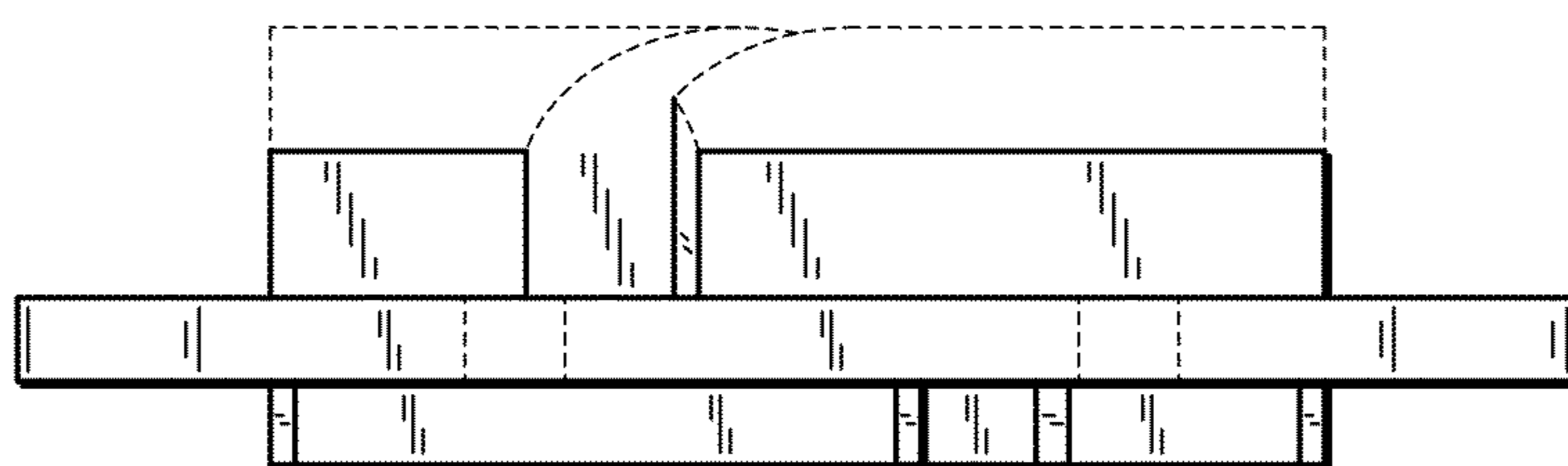


FIG. 11

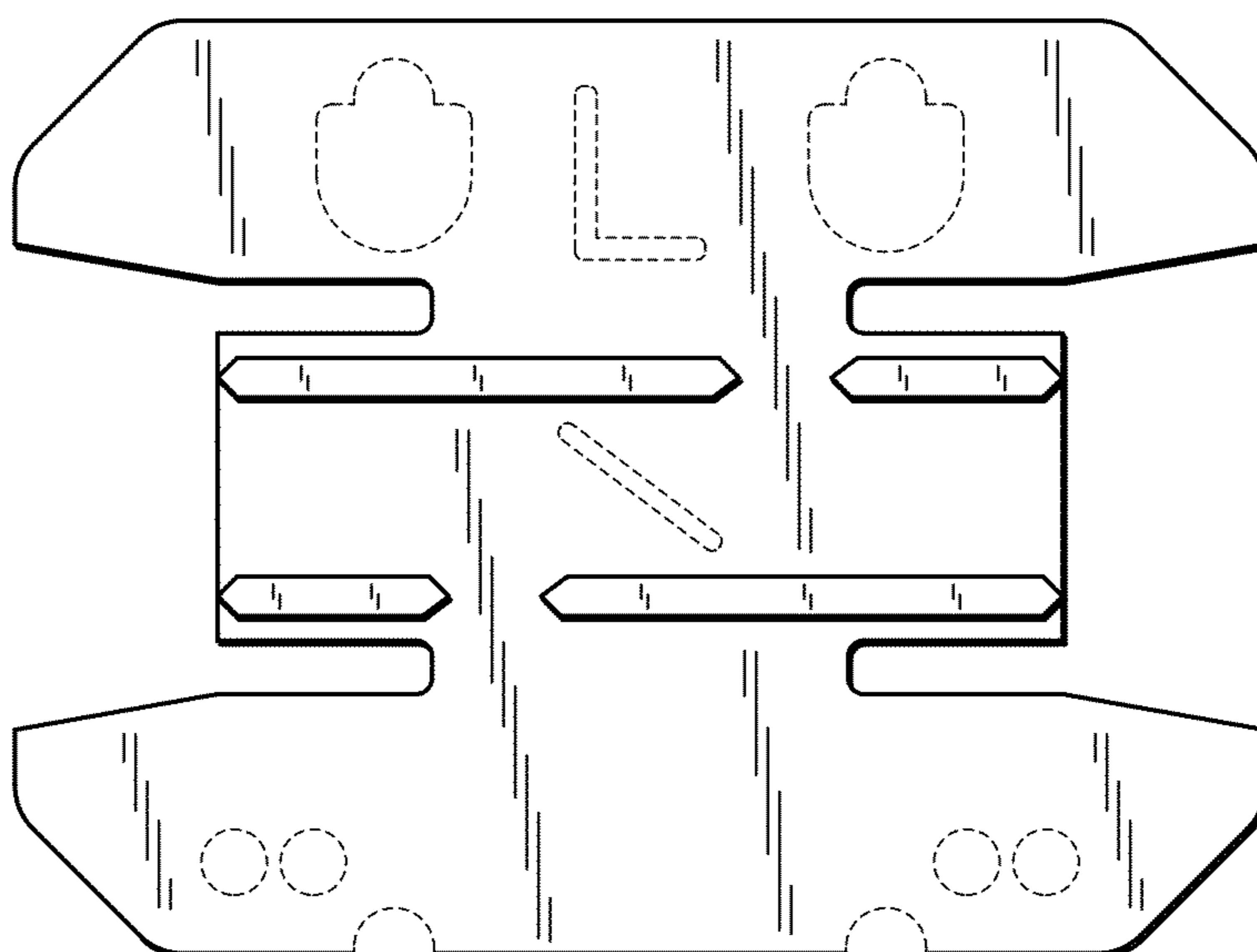


FIG. 12