

US00D735006S

(12) **United States Design Patent**  
**Aoki et al.**

(10) **Patent No.:** **US D735,006 S**  
(45) **Date of Patent:** **\*\* Jul. 28, 2015**

(54) **PORTABLE ELECTRIC DRIVER**  
(71) Applicant: **Hitachi Koki Co., Ltd.**, Minato-ku,  
Tokyo (JP)  
(72) Inventors: **Yoshiki Aoki**, Hitachinaka (JP); **Masato Sakai**, Hitachinaka (JP); **Rui Akiba**, Hitachinaka (JP); **Hiroki Uchida**, Hitachinaka (JP); **Masanori Okada**, Hitachinaka (JP); **Yoshihiro Komuro**, Hitachinaka (JP)

D551,527 S \* 9/2007 Aglassinger ..... D8/68  
7,492,125 B2 \* 2/2009 Serdynski et al. .... 320/114  
D589,317 S \* 3/2009 Okuda ..... D8/68  
D593,831 S \* 6/2009 Van Wambeke et al. .... D8/68  
D609,072 S \* 2/2010 Van Wambeke ..... D8/68  
D611,319 S \* 3/2010 Van Wambeke et al. .... D8/68  
8,210,273 B2 \* 7/2012 Suzuki et al. .... 173/2  
D675,500 S \* 2/2013 Taniguchi et al. .... D8/68  
D678,744 S \* 3/2013 Aoki et al. .... D8/68  
D682,650 S \* 5/2013 Kawase et al. .... D8/68  
2009/0302554 A1 \* 12/2009 Thiel ..... 279/62

(73) Assignee: **Hitachi Koki Co., Ltd.**, Minato-Ku,  
Tokyo (JP)

(\*\*) Term: **14 Years**

(21) Appl. No.: **29/482,727**

(22) Filed: **Feb. 21, 2014**

(30) **Foreign Application Priority Data**

Aug. 22, 2013 (JP) ..... 2013-019208  
Aug. 22, 2013 (JP) ..... 2013-019209

(51) **LOC (10) Cl.** ..... **08-03**

(52) **U.S. Cl.**  
USPC ..... **D8/68**

(58) **Field of Classification Search**  
USPC ..... D8/61, 67, 68; 81/57.4, 489; 173/48,  
173/109, 170, 178, 217; 408/124, 125;  
362/119; 475/149  
CPC .... B62D 23/005; B62D 29/00; B62D 29/043;  
B62D 31/00; B62D 33/046; B62D 35/00;  
B62D 35/001; B60Q 1/0005  
See application file for complete search history.

(56) **References Cited**

**U.S. PATENT DOCUMENTS**

6,308,378 B1 \* 10/2001 Mooty et al. .... 16/430  
D546,154 S \* 7/2007 Fong et al. .... D8/68

**OTHER PUBLICATIONS**

“Hitachi Cordless Driver Drills—14.4V / 18V Cordless Driver Drills with Brushless Motors” Electronic Leaflet., Mar. 10, 2014 [online], [retrieved on Jun. 7, 2014]. Retrieved from the Internet <URL: <http://www.hitachi-koki.com/powertools/products/catalog/ds14dbel.pdf>>.\*

\* cited by examiner

*Primary Examiner* — Phillip S Hyder  
*Assistant Examiner* — Darlington Ly

(74) *Attorney, Agent, or Firm* — Banner & Witcoff, Ltd.

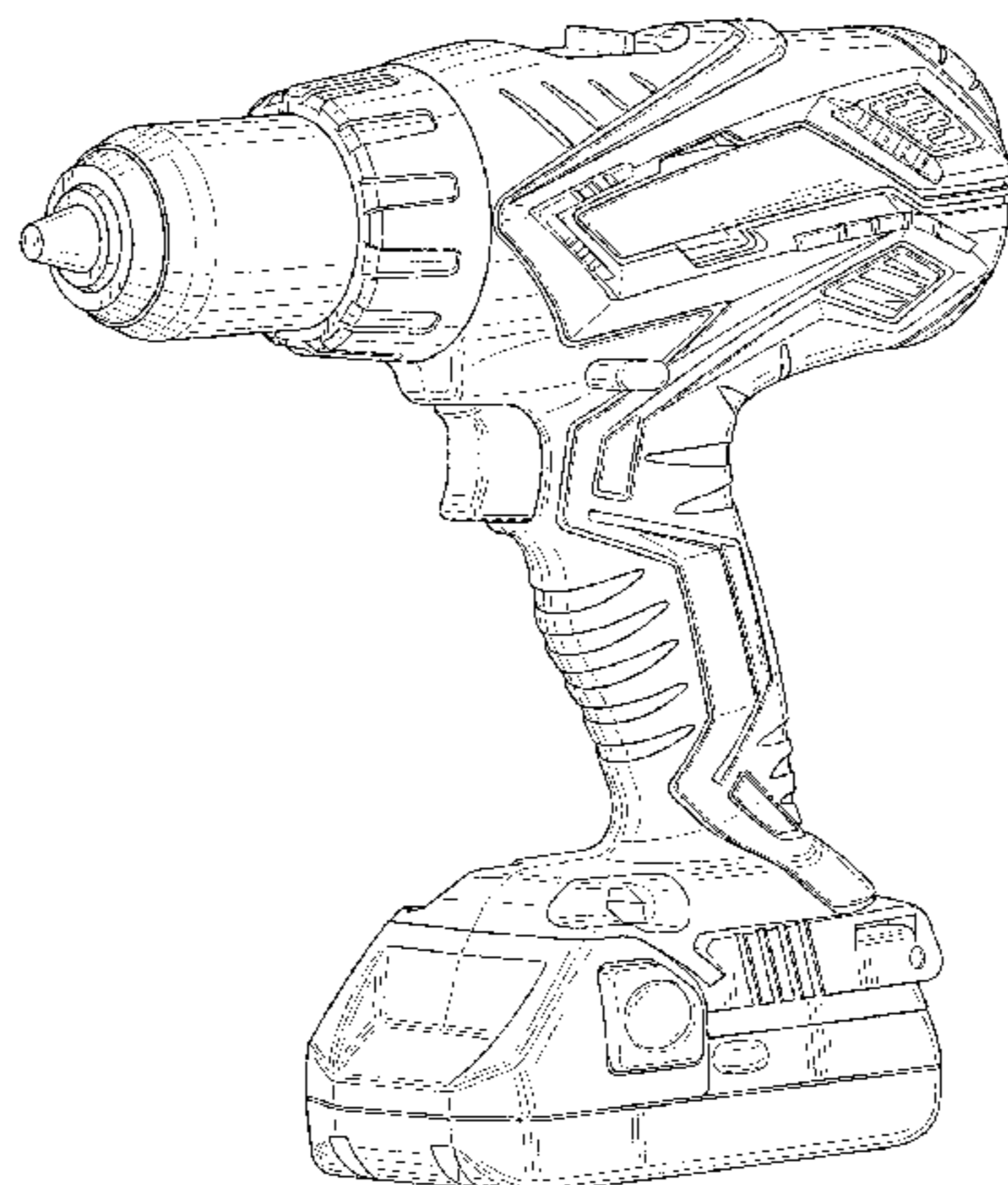
(57) **CLAIM**

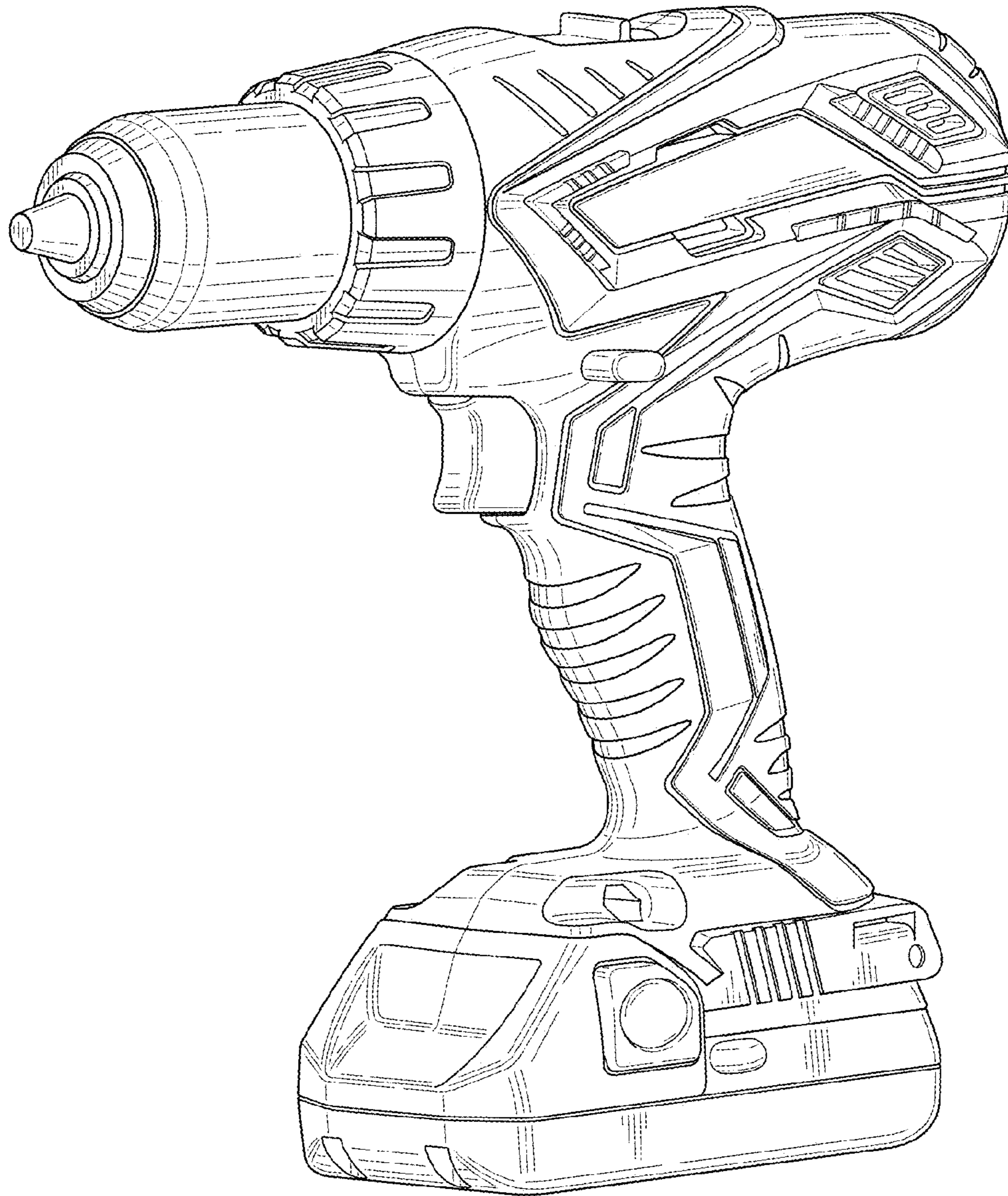
The ornamental design for portable electric driver, as shown and described.

**DESCRIPTION**

FIG. 1 is a front perspective view of the portable electric driver showing our new design;  
FIG. 2 is a rear perspective view thereof;  
FIG. 3 is a front view thereof;  
FIG. 4 is a rear view thereof;  
FIG. 5 is a left side view thereof;  
FIG. 6 is a right side view thereof;  
FIG. 7 is a top plan view thereof; and,  
FIG. 8 is a bottom view thereof.  
The broken lines showing in FIG. 8 is for environmental purposes only and form no part of the claimed design.

**1 Claim, 6 Drawing Sheets**





**FIG. 1**

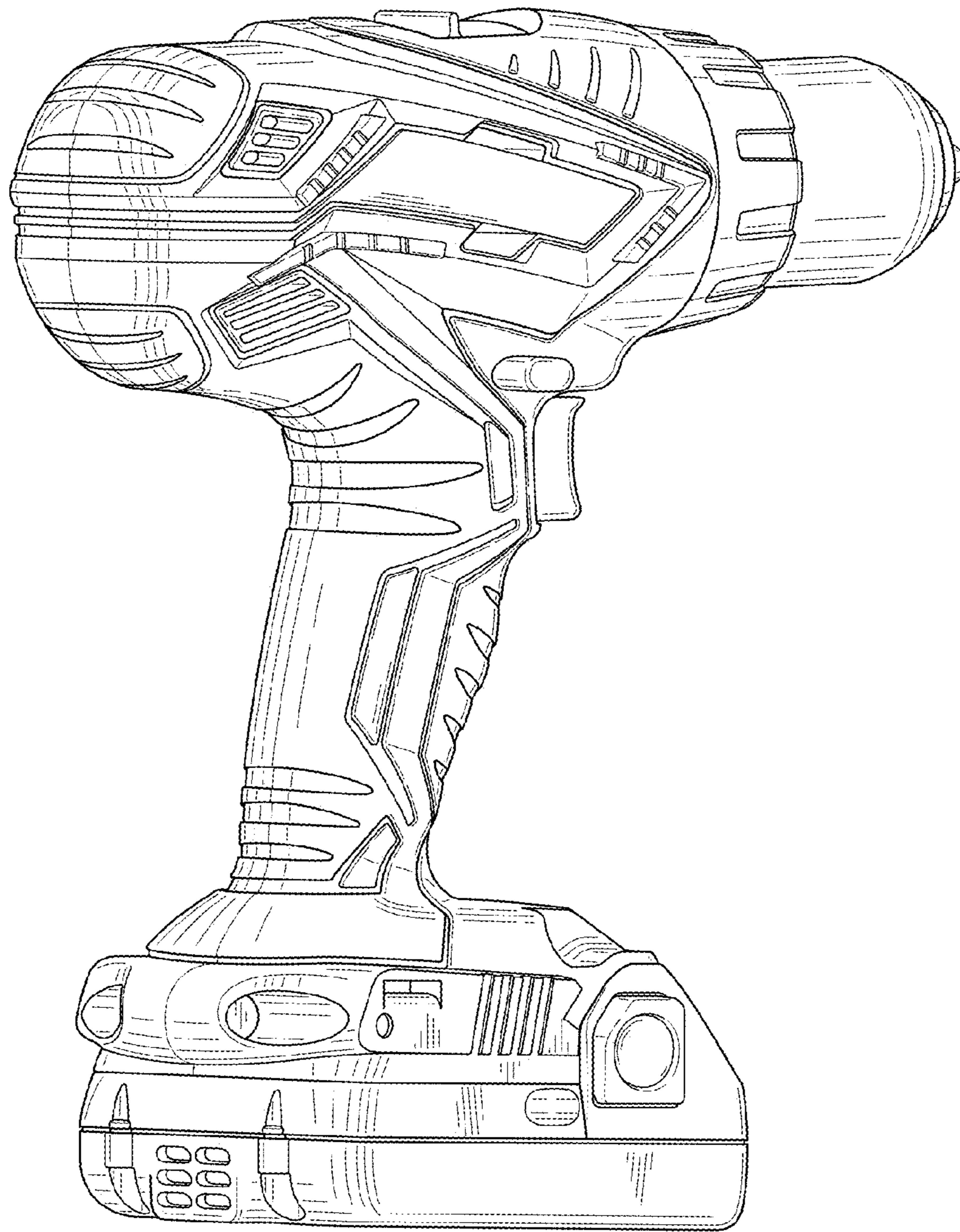


FIG. 2

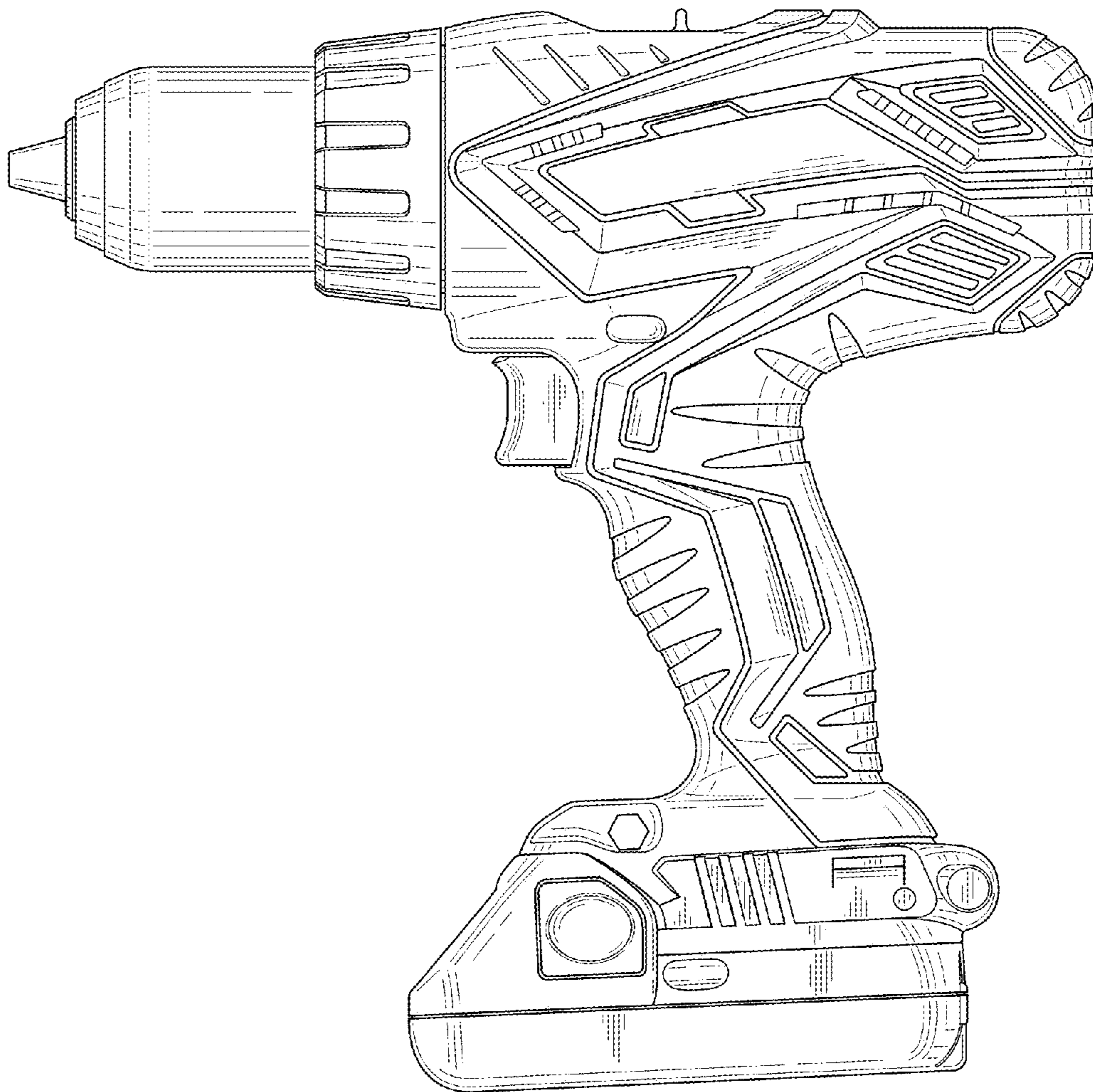


FIG. 3

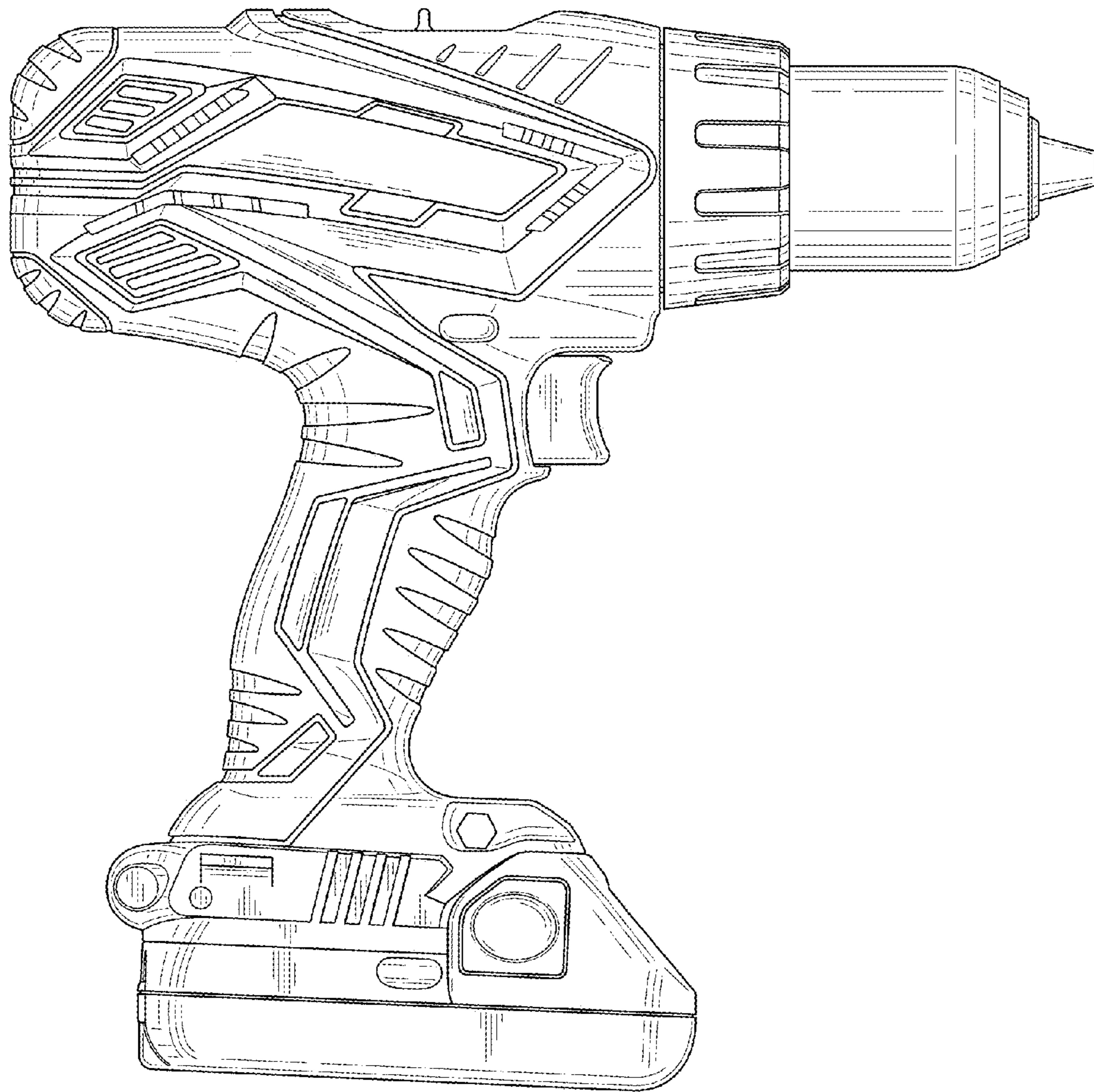


FIG. 4

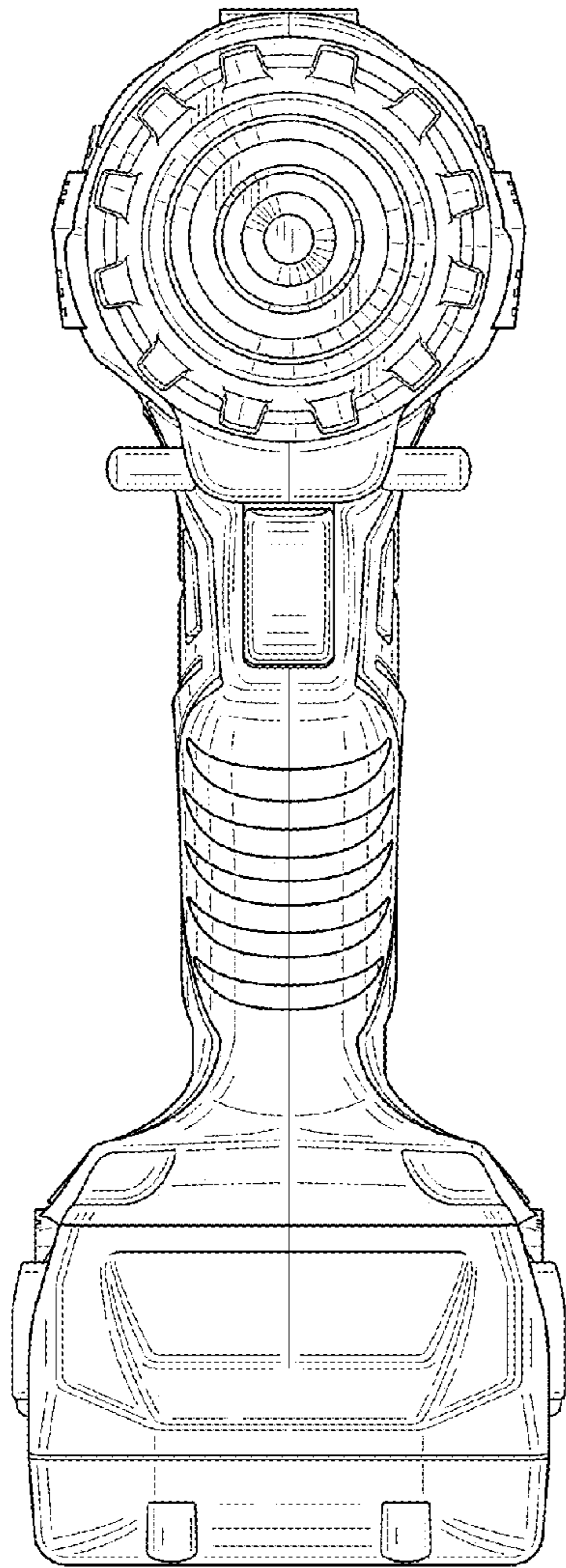


FIG. 5

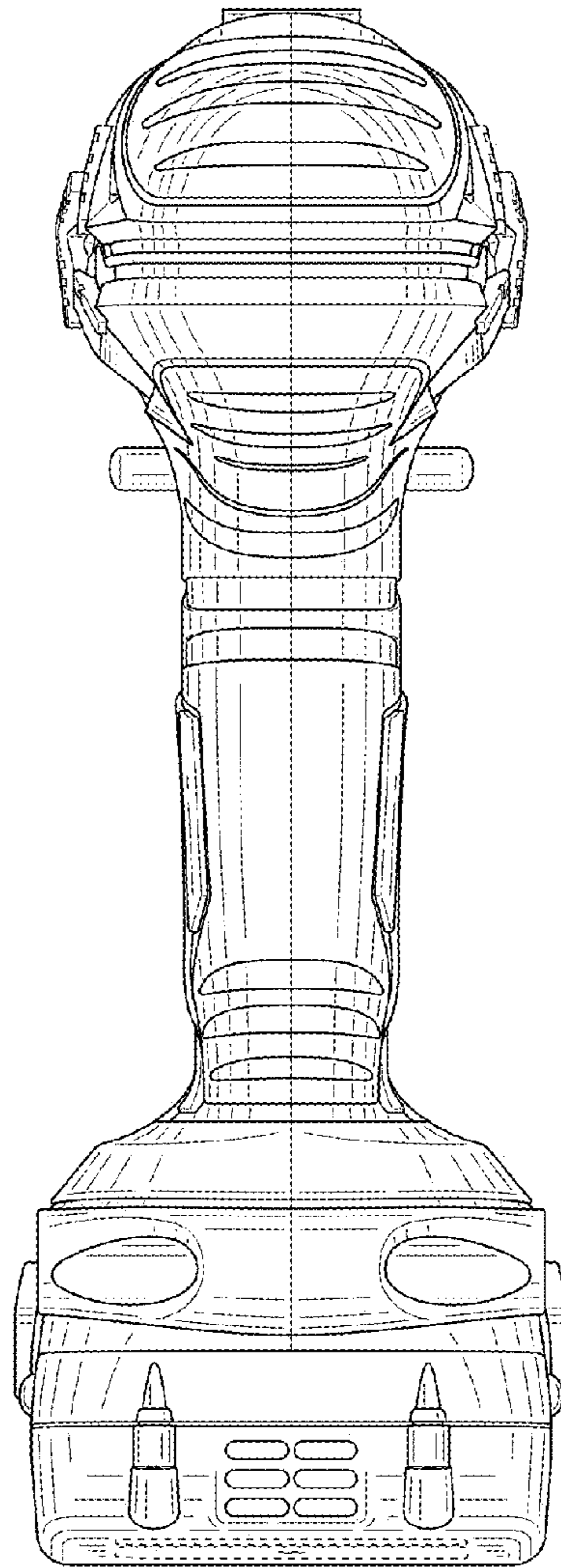


FIG. 6

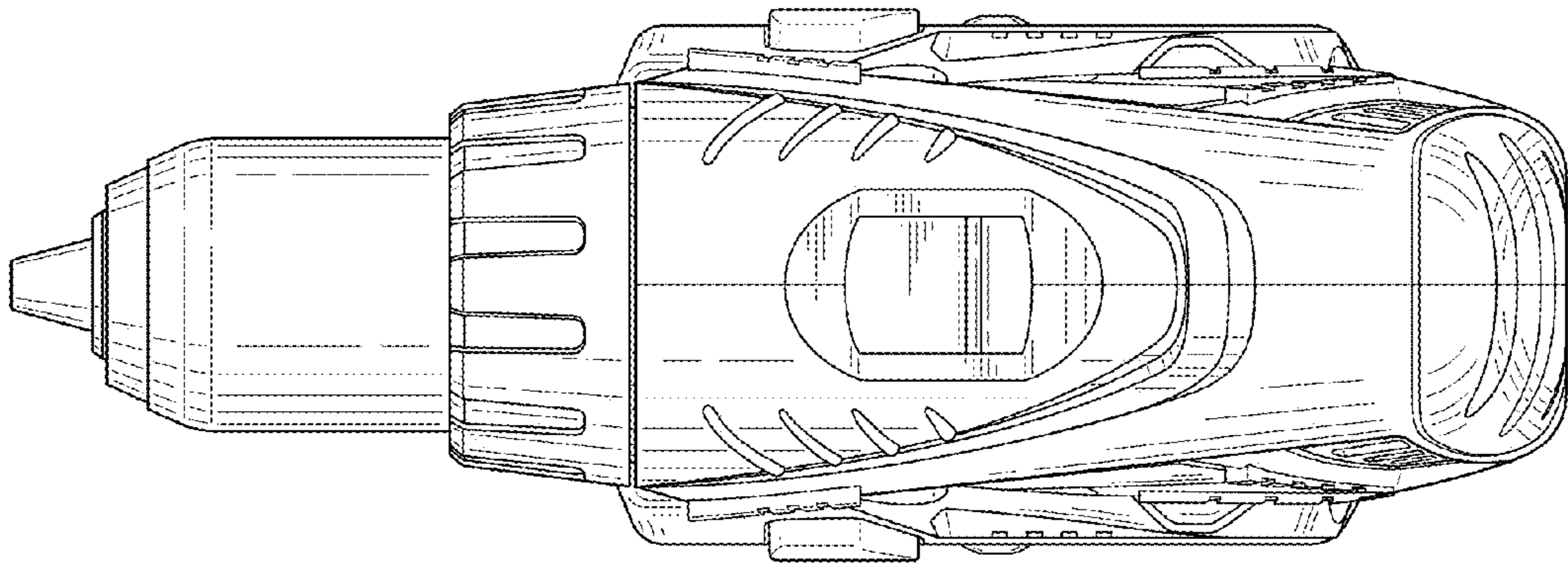


FIG. 7

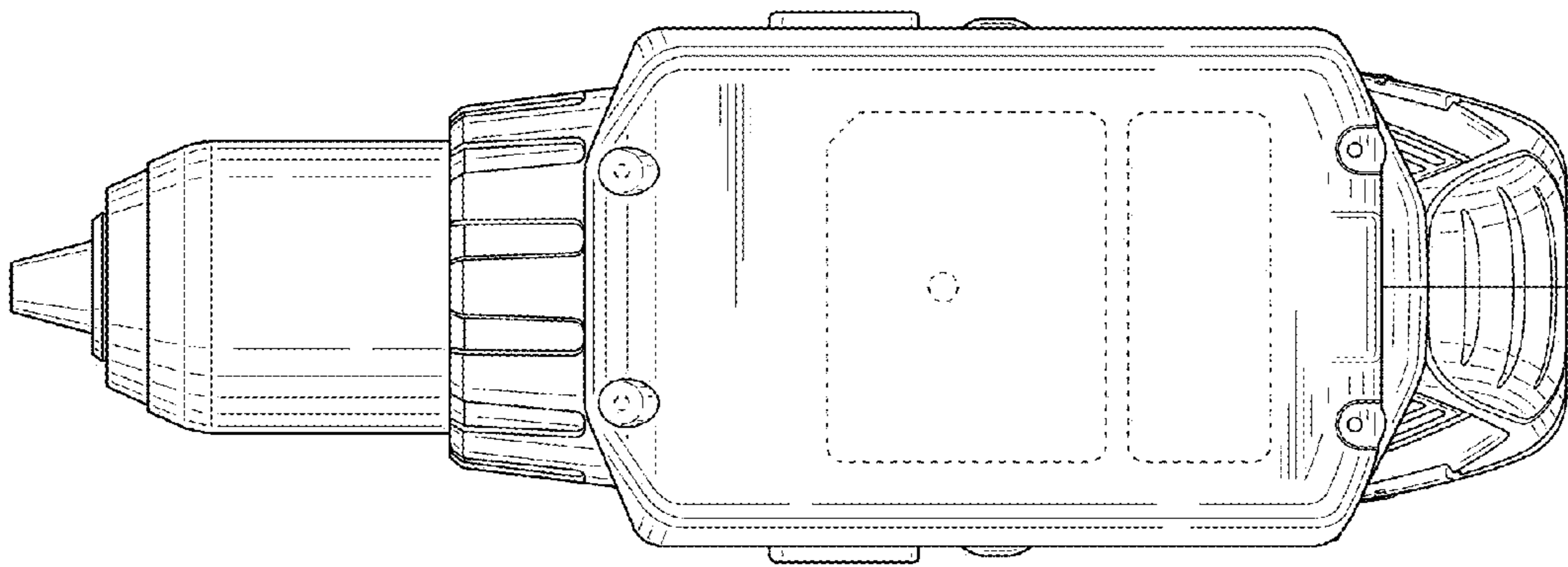


FIG. 8