

US00D735003S

(12) **United States Design Patent**  
**Mattix**

(10) **Patent No.:** **US D735,003 S**  
(45) **Date of Patent:** **\*\* Jul. 28, 2015**

(54) **PIPE CUTTER**

(71) Applicant: **Steven Mattix**, Marion, OH (US)

(72) Inventor: **Steven Mattix**, Marion, OH (US)

(\*\*) Term: **14 Years**

(21) Appl. No.: **29/445,280**

(22) Filed: **Feb. 8, 2013**

(51) **LOC (10) Cl.** ..... **08-03**

(52) **U.S. Cl.**  
USPC ..... **D8/60**

(58) **Field of Classification Search**  
USPC ..... D8/14, 60, 70, 98; 30/93, 94, 95, 96,  
30/91.1, 286, 289; 83/102.1, 477.2  
See application file for complete search history.

(56) **References Cited**

U.S. PATENT DOCUMENTS

|           |     |         |             |         |
|-----------|-----|---------|-------------|---------|
| 2,718,058 | A * | 9/1955  | Arnold      | 30/102  |
| 3,249,134 | A * | 5/1966  | Vogl et al. | 83/478  |
| 3,636,629 | A * | 1/1972  | Baun        | 30/94   |
| 3,965,571 | A * | 6/1976  | Lyman       | 30/90.2 |
| 4,063,355 | A   | 12/1977 | Netzel      |         |
| 4,078,304 | A   | 3/1978  | Netzel      |         |
| 4,091,533 | A   | 5/1978  | Saumell     |         |
| D255,642  | S   | 7/1980  | Erpenbeck   |         |
| 4,402,136 | A   | 9/1983  | Rast        |         |
| 4,446,620 | A   | 5/1984  | Velte       |         |
| 4,838,562 | A * | 6/1989  | Akashi      | 279/106 |
| 5,203,245 | A * | 4/1993  | Terpstra    | 83/397  |
| 5,373,639 | A * | 12/1994 | Huang       | 30/92   |
| 5,461,955 | A   | 10/1995 | Weisshaar   |         |

|           |      |         |             |        |
|-----------|------|---------|-------------|--------|
| D378,340  | S    | 3/1997  | Harter      |        |
| 5,907,906 | A    | 6/1999  | Sweeney     |        |
| 6,055,732 | A *  | 5/2000  | Hu          | 30/102 |
| 6,671,962 | B2   | 1/2004  | Watamura    |        |
| 7,007,391 | B2   | 3/2006  | Stoick      |        |
| 7,250,132 | B1 * | 7/2007  | Shippen     | 266/54 |
| D583,208  | S *  | 12/2008 | Huang       | D8/60  |
| 7,963,198 | B2   | 6/2011  | Friedenbach |        |
| 8,136,188 | B2 * | 3/2012  | Bell        | 7/156  |
| D660,116  | S *  | 5/2012  | Owen et al. | D8/60  |
| D696,566  | S *  | 12/2013 | Mao         | D8/60  |
| 8,601,697 | B2 * | 12/2013 | Whittaker   | 30/101 |

\* cited by examiner

*Primary Examiner* — Philip S Hyder

(74) *Attorney, Agent, or Firm* — MIRACLE IP; Bryce D. Miracle

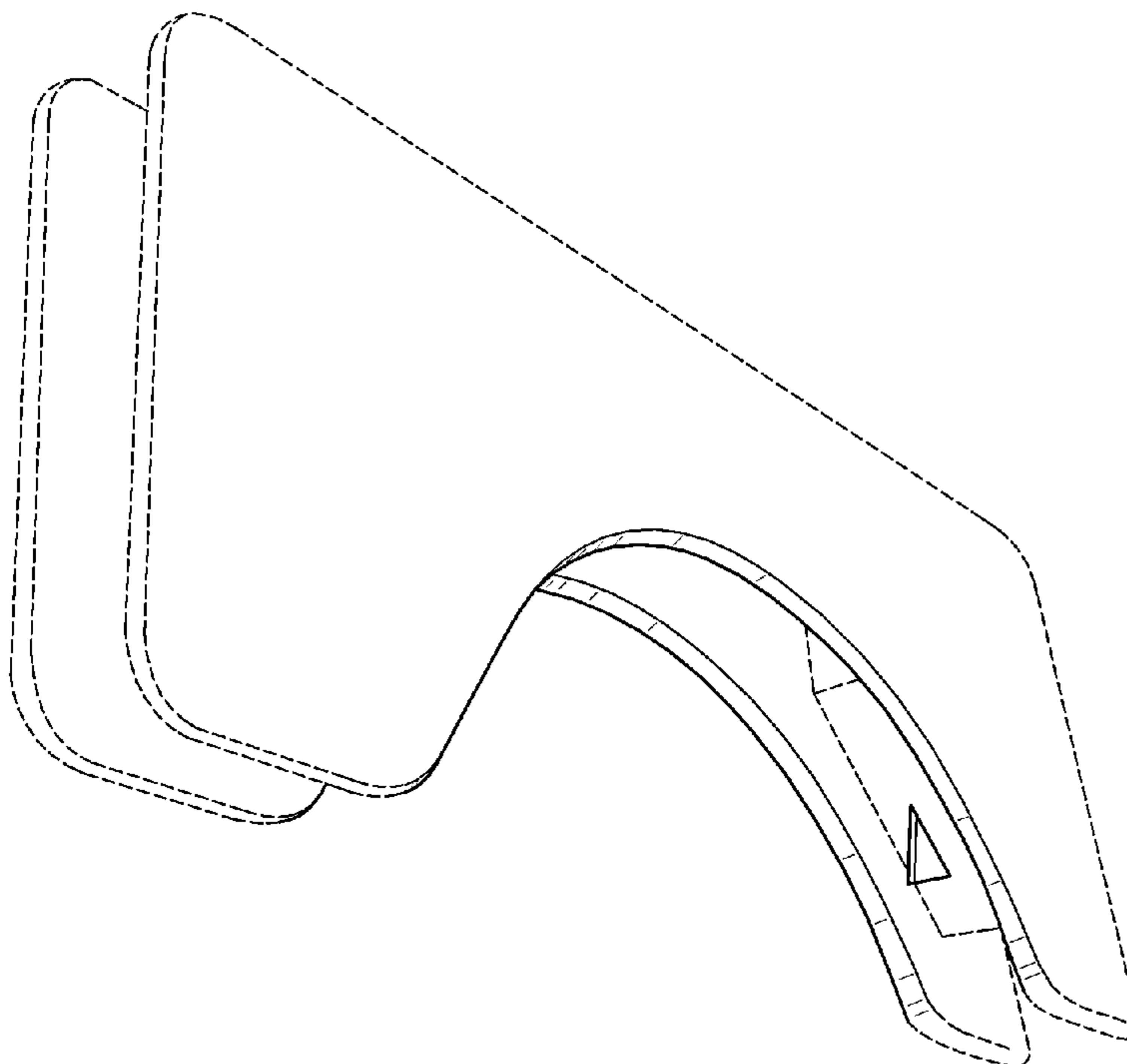
(57) **CLAIM**

The ornamental design for a pipe cutter, substantially as shown and described.

**DESCRIPTION**

FIG. 1 is a perspective view of the pipe cutter, showing my new design;  
FIG. 2 is a front elevation view thereof;  
FIG. 3 is a bottom plan view thereof;  
FIG. 4 is a top plan view thereof;  
FIG. 5 is a rear elevation view thereof;  
FIG. 6 is a right side elevation view thereof; and,  
FIG. 7 is a left side elevation view thereof.  
The broken lines depict portions of the pipe cutter in which the design is embodied that are not considered part of the claimed design.

**1 Claim, 4 Drawing Sheets**



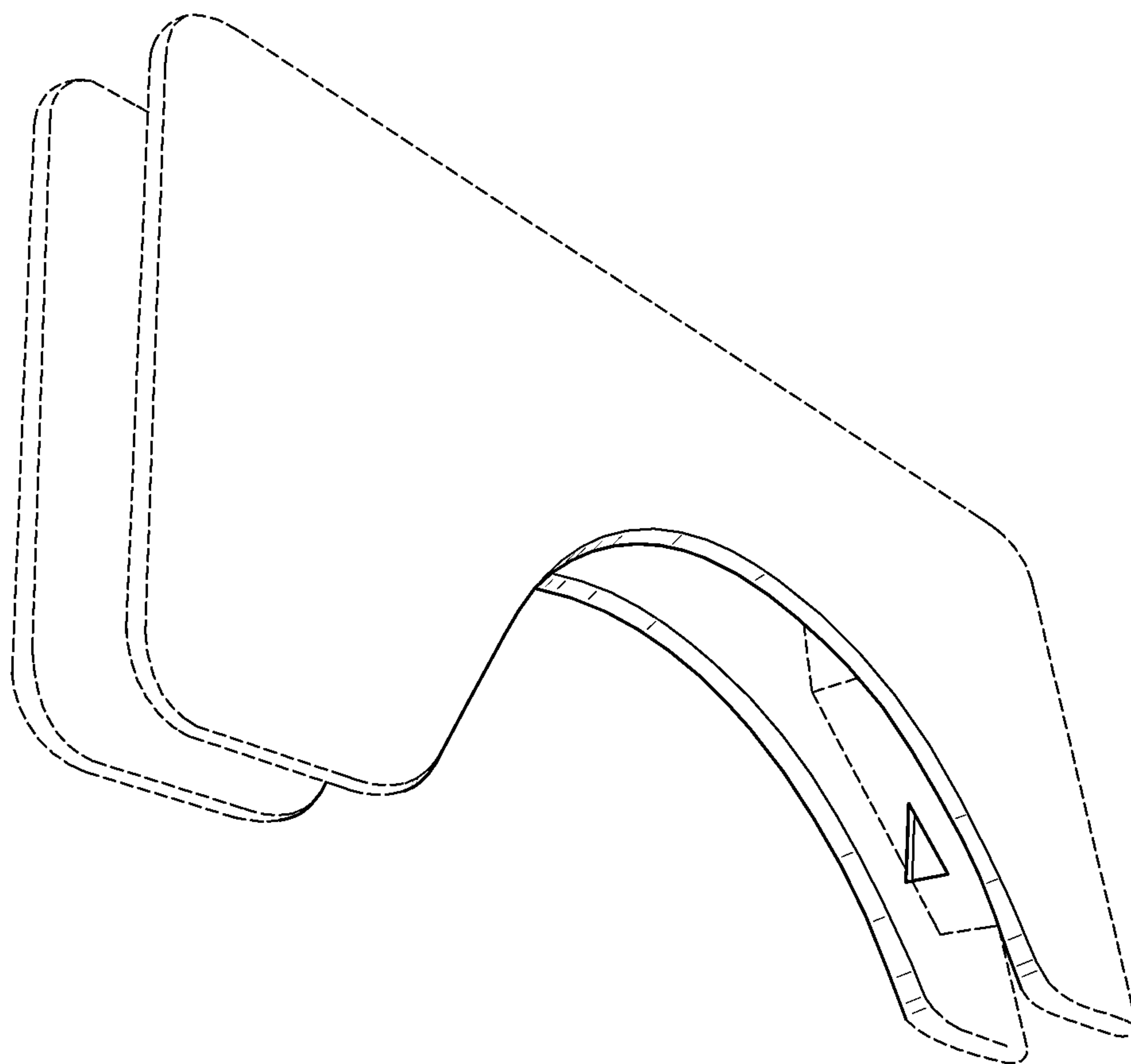


FIG. 1

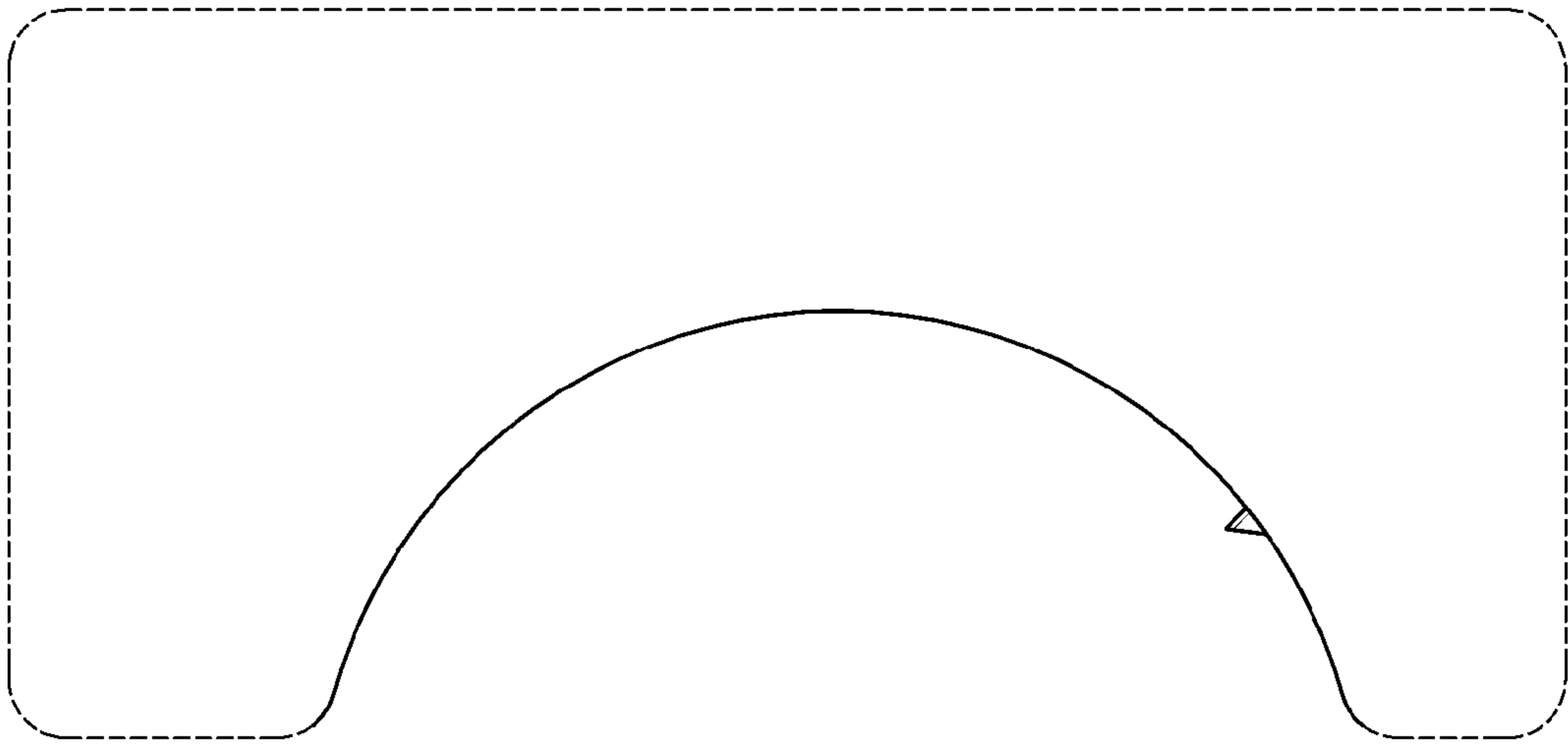


FIG. 2

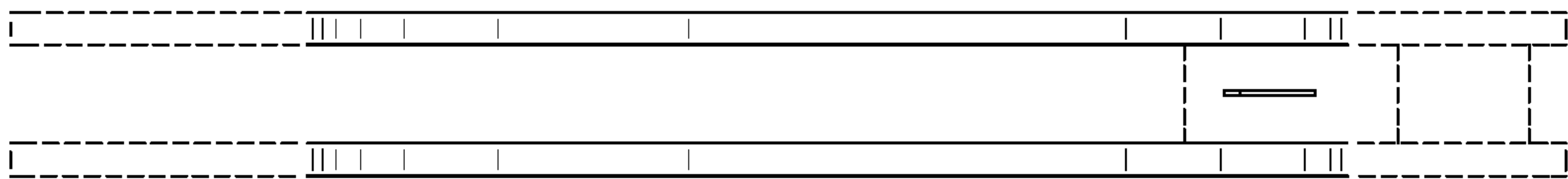


FIG. 3



FIG. 4

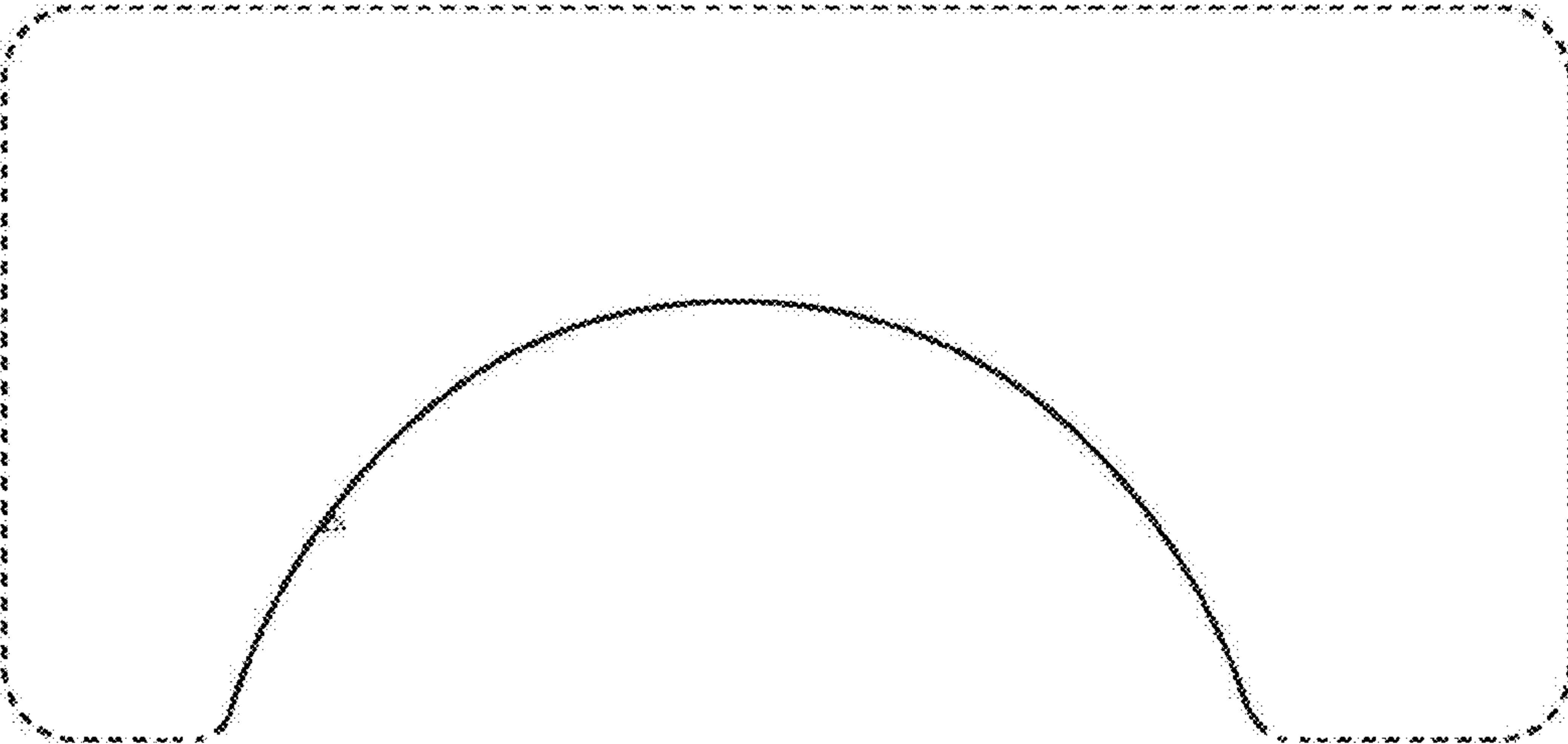


FIG. 5



FIG. 6

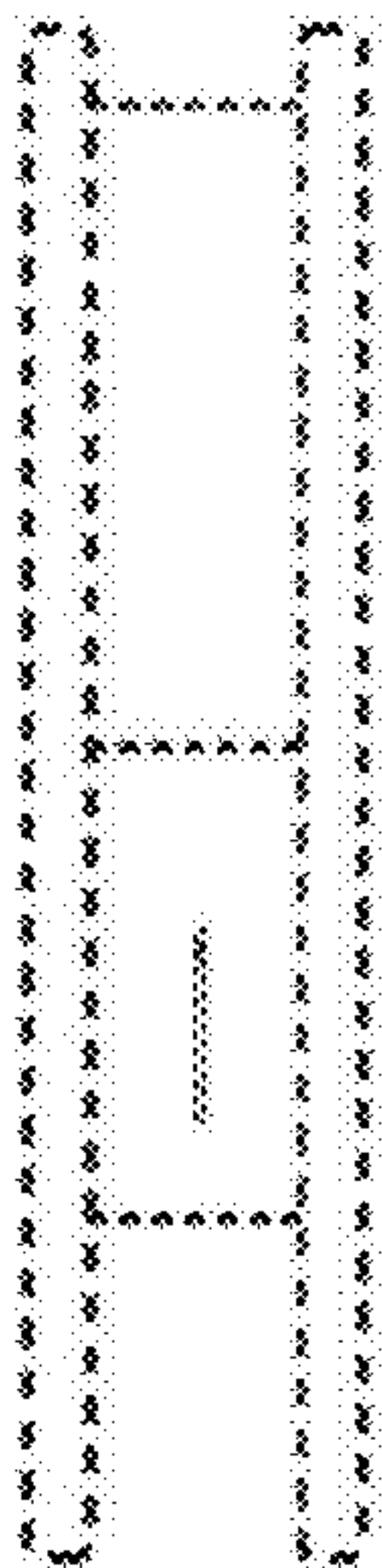


FIG. 7