

US00D734997S

(12) **United States Design Patent**
Leblanc

(10) **Patent No.:** **US D734,997 S**

(45) **Date of Patent:** **** Jul. 28, 2015**

(54) **BOTTLE RACK**

Primary Examiner — Terry Wallace

(71) Applicant: **Danalynn Inc.**, St-Savaeur (CA)

(74) *Attorney, Agent, or Firm* — Robert Brouillette;
Brouillette & Partners

(72) Inventor: **Alain Leblanc**, St-Sauveur (CA)

(57) **CLAIM**

(73) Assignee: **Danalynn Inc.**, Saint-Sauveur, Quebec (CA)

The ornamental design for a bottle rack, as shown and described.

(**) Term: **14 Years**

DESCRIPTION

(21) Appl. No.: **29/471,553**

FIG. 1 is a right side view of the bottle rack showing my new design.

(22) Filed: **Nov. 1, 2013**

FIG. 2 is a left side view thereof.

(51) **LOC (10) Cl.** **06-04**

FIG. 3 is a front view thereof.

(52) **U.S. Cl.**

FIG. 4 is a rear view thereof.

USPC **D7/701**

FIG. 5 is a bottom view thereof.

(58) **Field of Classification Search**

FIG. 6 is a top view thereof.

USPC D7/701–708, 600.1–600.4; 211/74, 75,
211/13.1, 71.01, 70.1, 70.6, 70.7, 87.01,
211/64; 248/146

FIG. 7 is a perspective view thereof.

See application file for complete search history.

FIG. 8 is another perspective view thereof.

FIG. 9 is a right side view of an alternate embodiment of FIG. 1.

(56) **References Cited**

FIG. 10 is a left side view of FIG. 9.

FIG. 11 is a front view of FIG. 9.

U.S. PATENT DOCUMENTS

FIG. 12 is a rear view of FIG. 9.

FIG. 13 is a bottom view of FIG. 9.

D226,254 S * 2/1973 Smith D7/701

FIG. 14 is a top view of FIG. 9.

D273,647 S * 5/1984 Kandarian D6/570

FIG. 15 is a perspective view of FIG. 9; and,

D362,776 S * 10/1995 Thorn D6/552

FIG. 16 is another perspective view of FIG. 9.

D543,078 S * 5/2007 Davalos D7/701

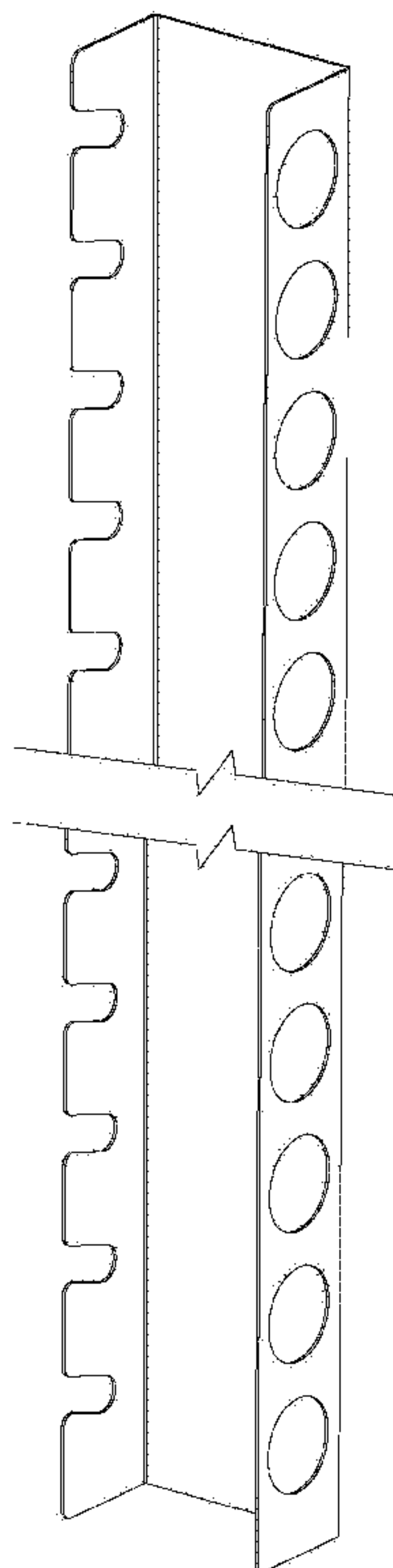
The drawings are shown with a bracket for ease of illustration; the precise length of the bottle rack is not being claimed.

D603,227 S * 11/2009 Gurer D7/701

D675,490 S * 2/2013 Dara D7/701

* cited by examiner

1 Claim, 8 Drawing Sheets



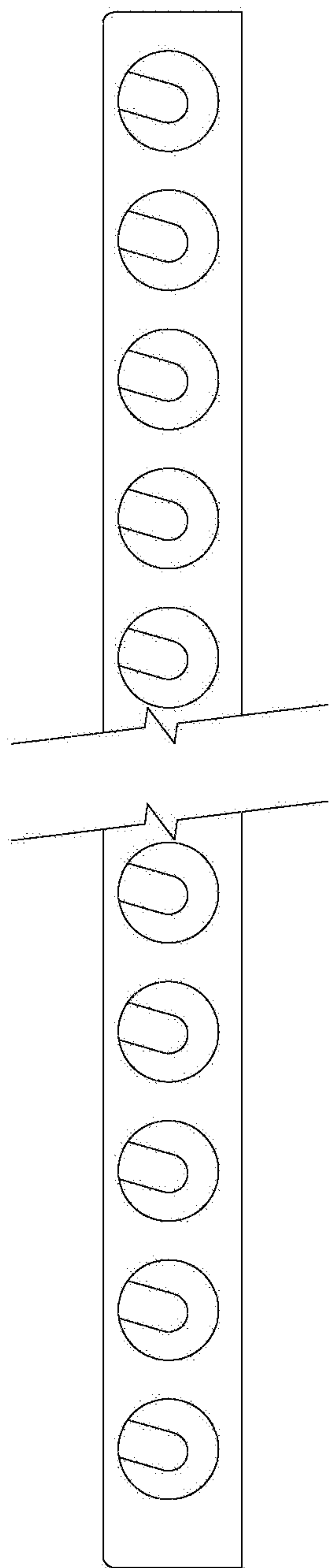


FIG. 1

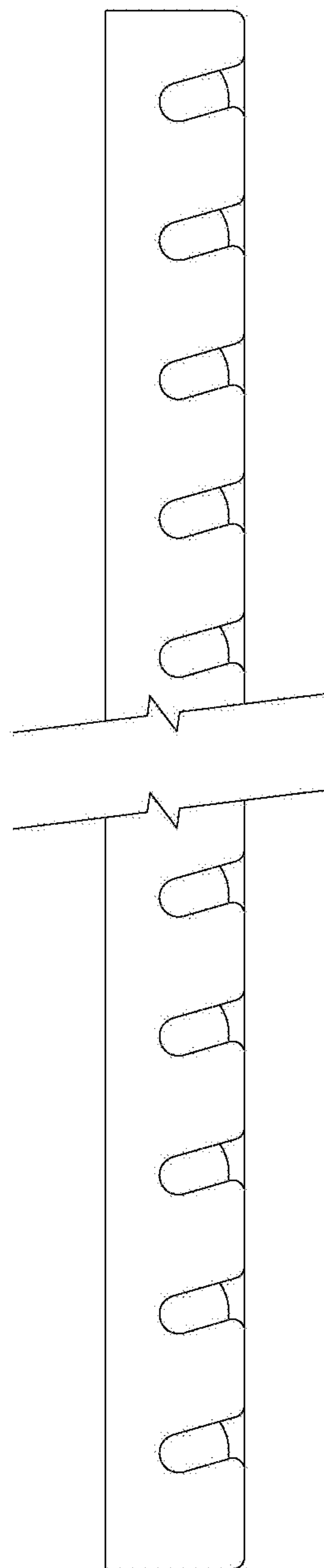


FIG. 2

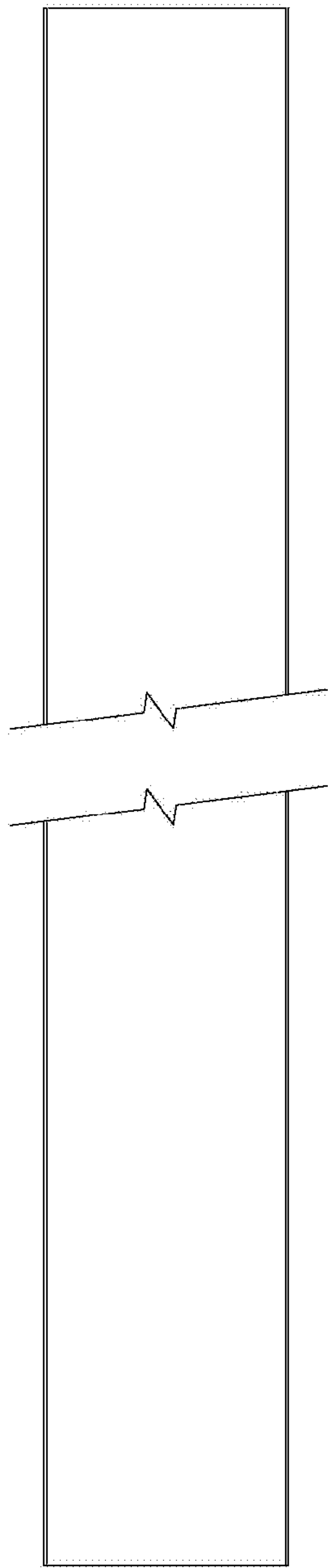


FIG. 3

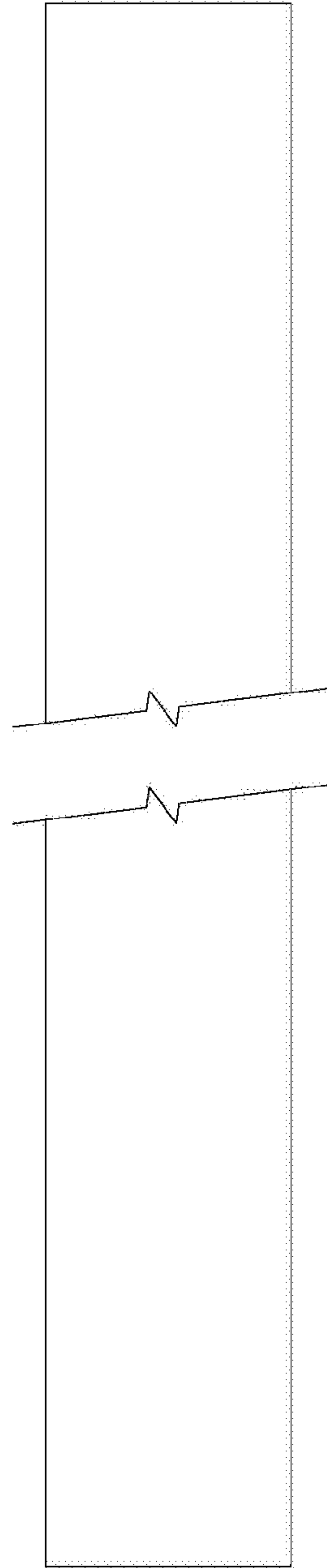


FIG. 4



FIG. 5

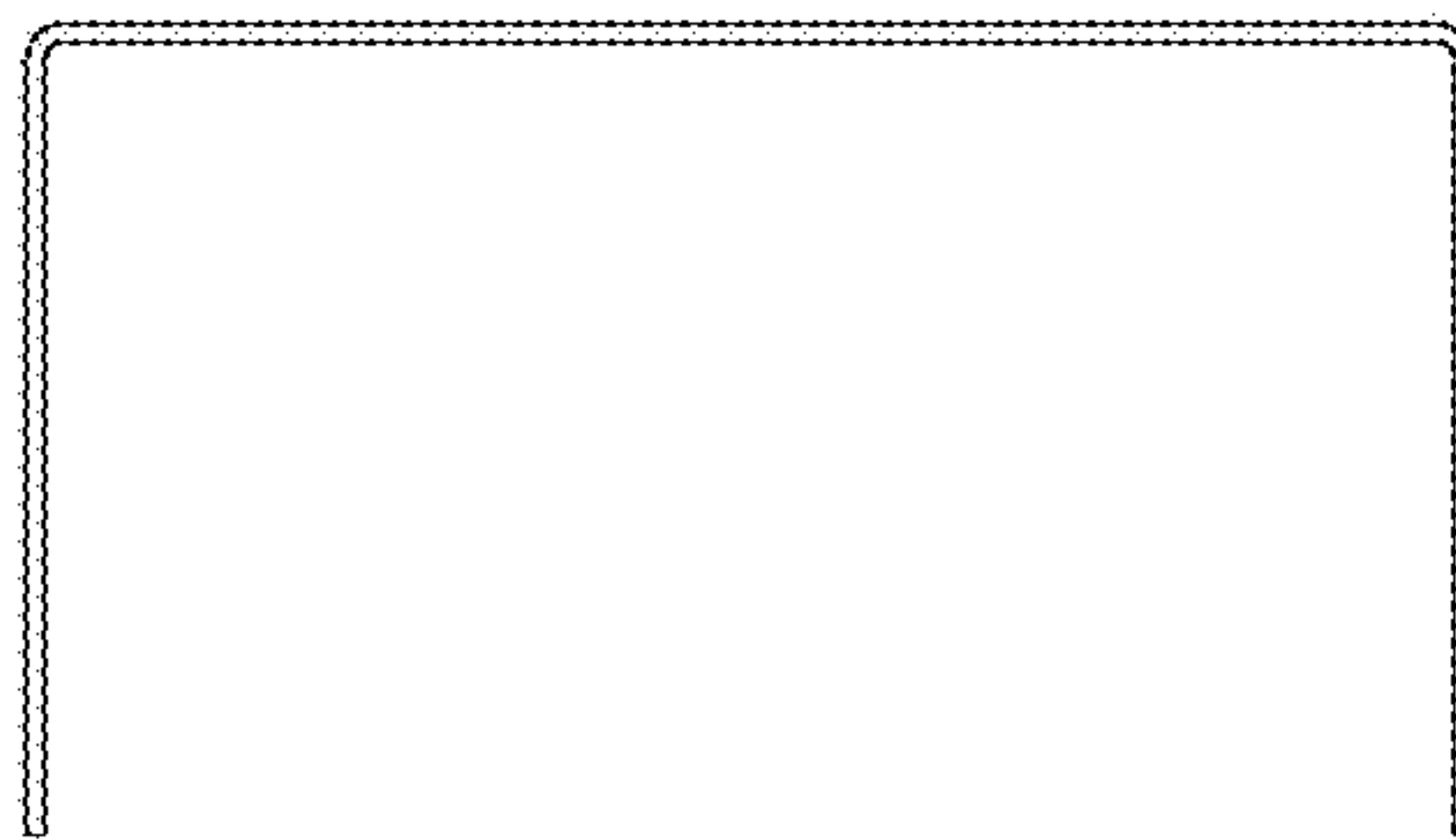


FIG. 6

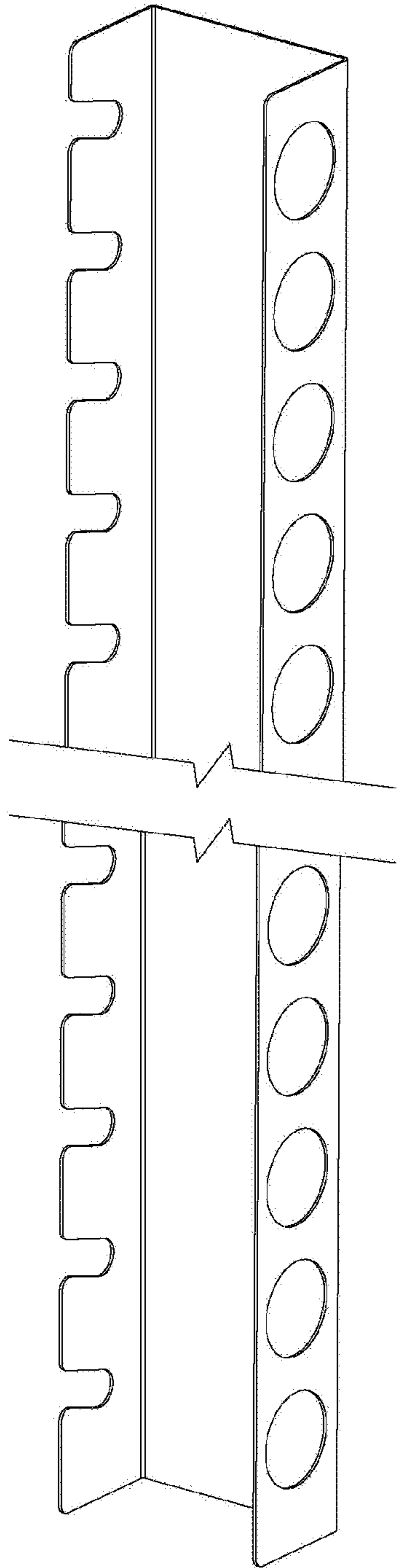


FIG. 7

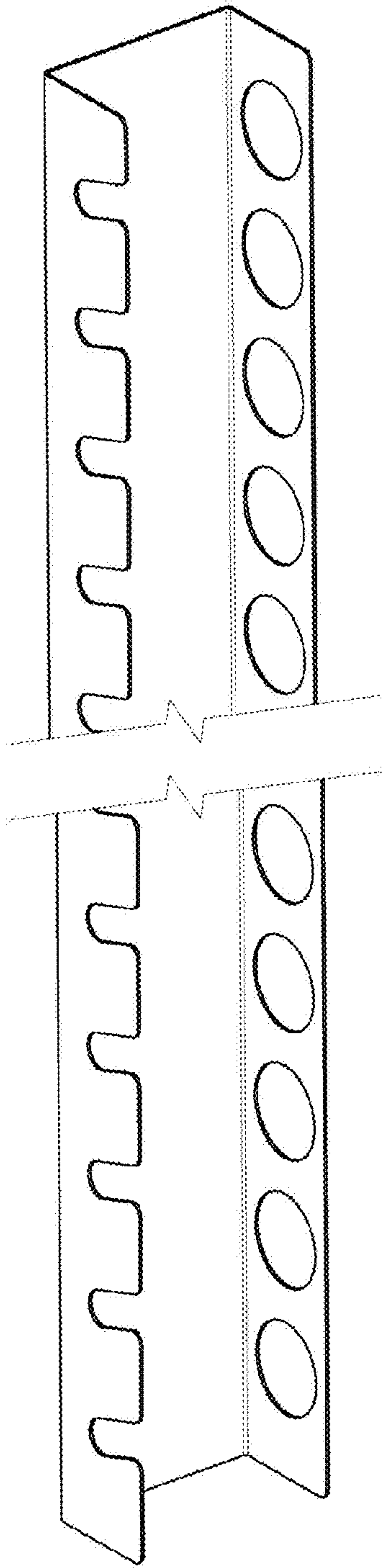


FIG. 8

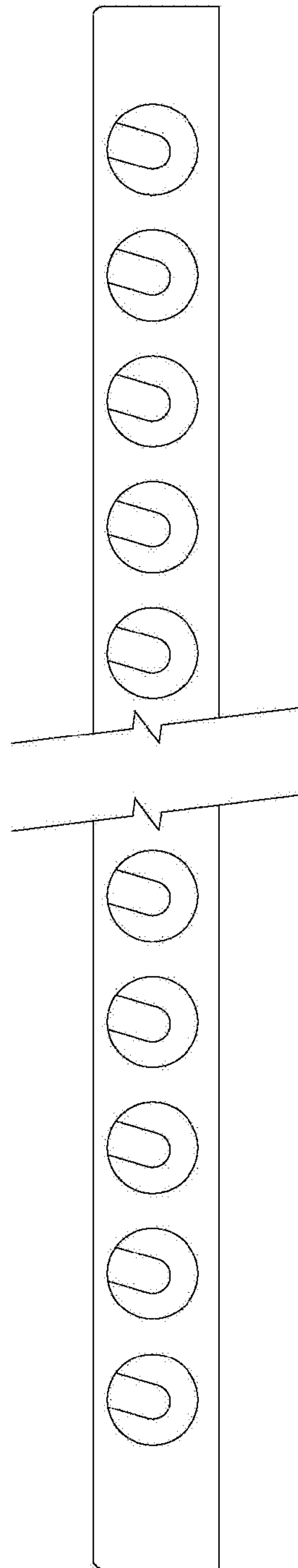


FIG. 9

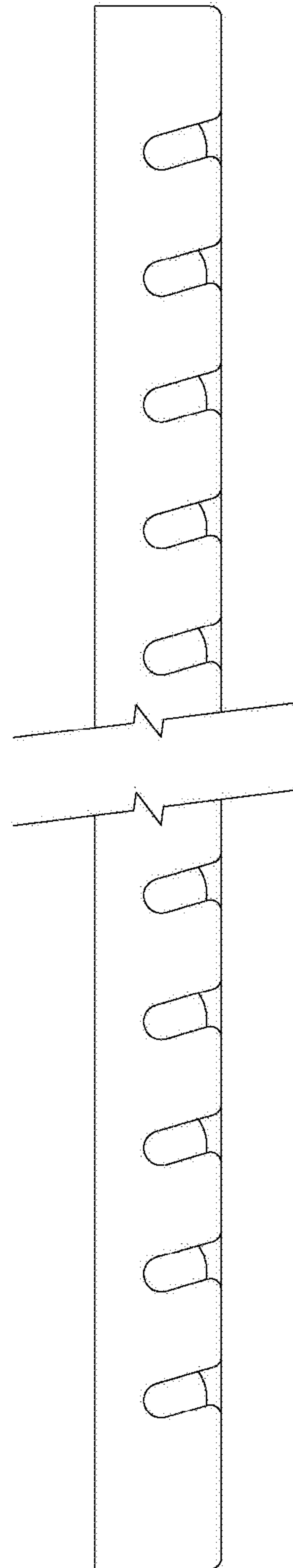


FIG. 10

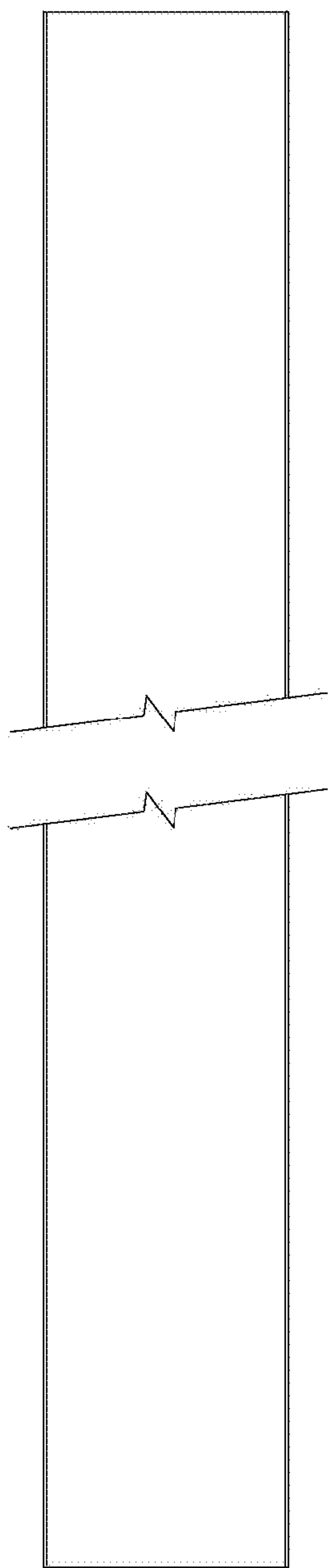


FIG. 11

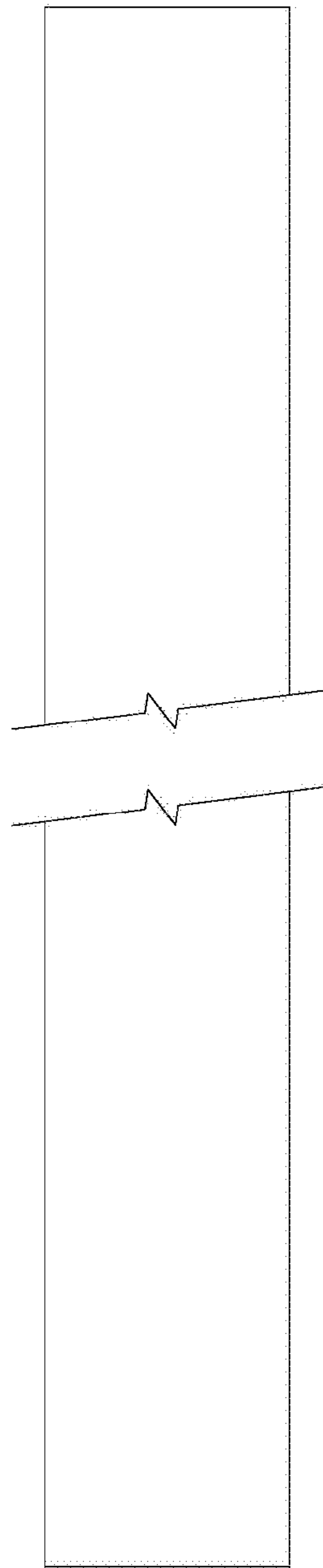


FIG. 12

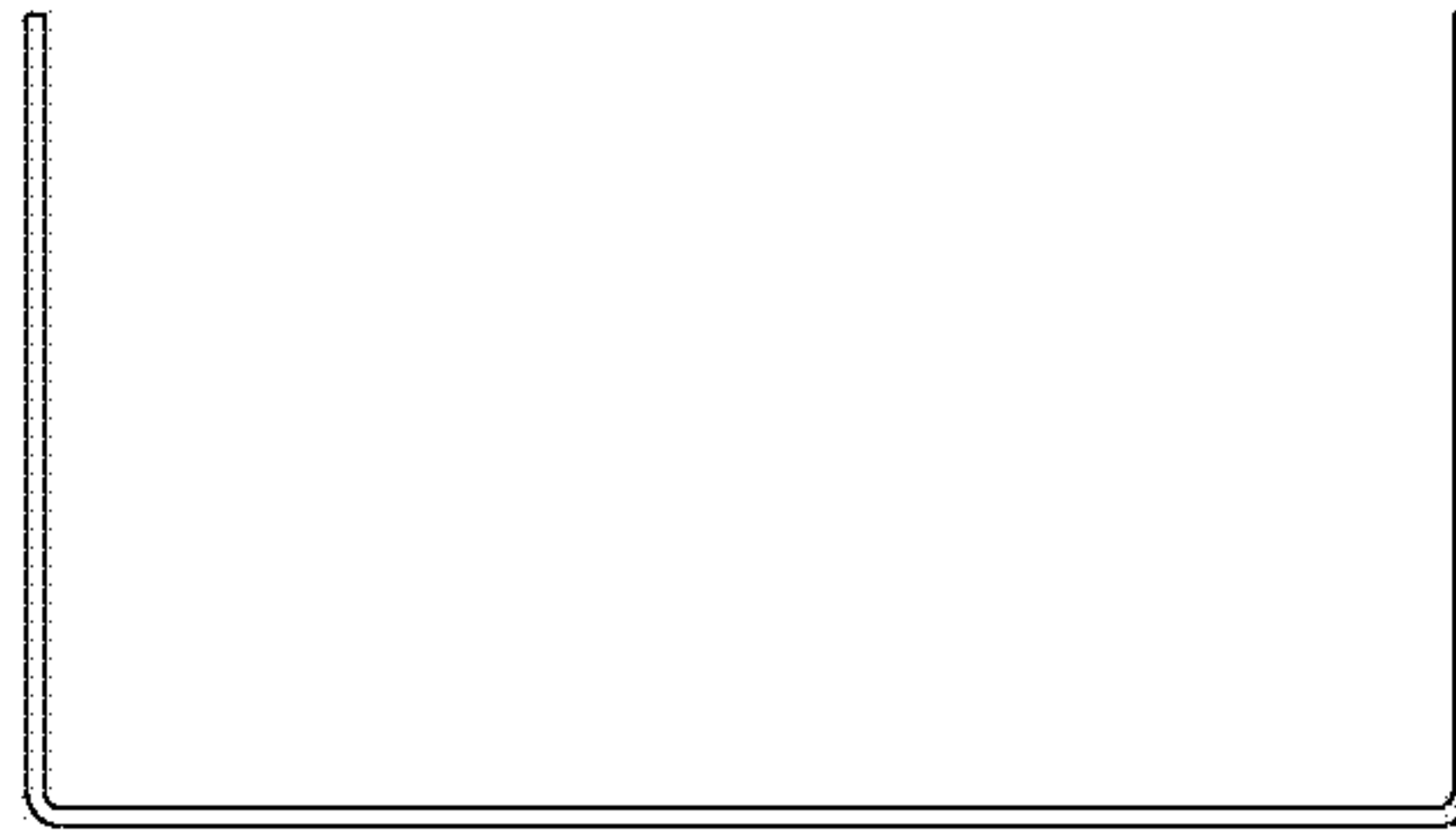


FIG. 13



FIG. 14

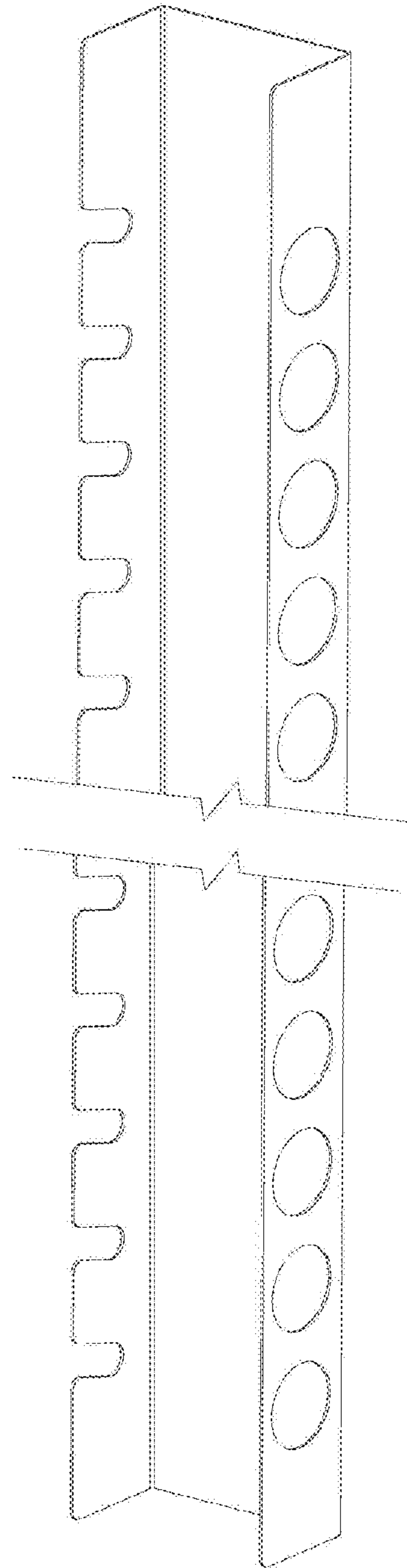


FIG. 15

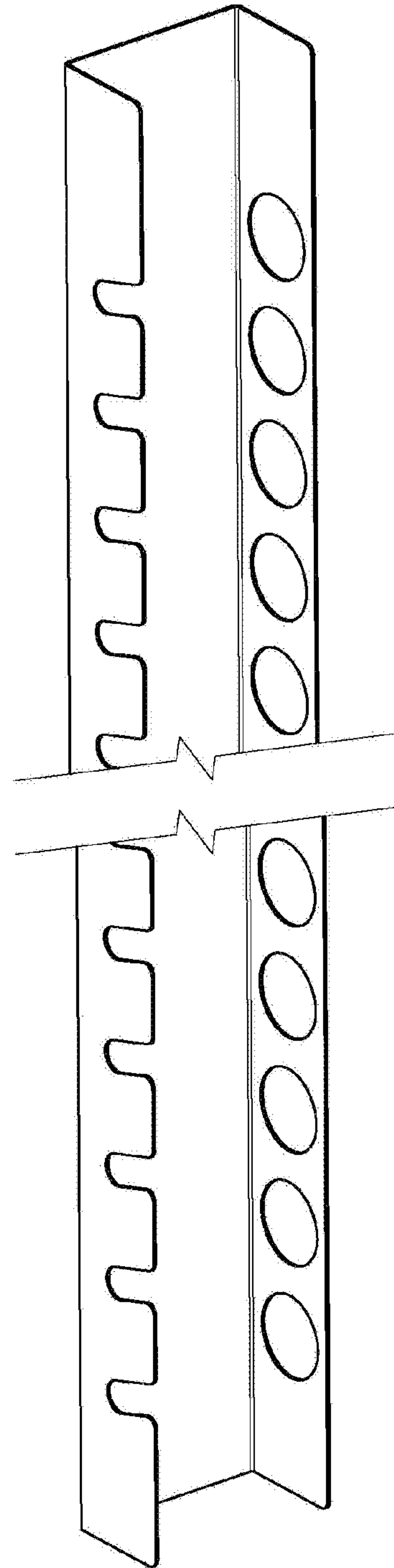


FIG. 16