

US00D734993S

(12) **United States Design Patent**
Marina et al.

(10) **Patent No.:** **US D734,993 S**
(45) **Date of Patent:** **** Jul. 28, 2015**

- (54) **COASTER**
- (71) Applicant: **PepsiCo, Inc.**, Purchase, NY (US)
- (72) Inventors: **Carlos Hernan Marina**, Deerfield Beach, FL (US); **Tucker Fort**, Brooklyn, NY (US); **Paul Katz**, New York, NY (US); **Jacob Pamborg**, New York, NY (US); **Christopher R. Xydis**, New York, NY (US)
- (73) Assignee: **PepsiCo, Inc.**, Purchase, NY (US)
- (**) Term: **14 Years**
- (21) Appl. No.: **29/460,543**
- (22) Filed: **Jul. 11, 2013**
- (51) **LOC (10) Cl.** **07-06**
- (52) **U.S. Cl.**
USPC **D7/624.1**
- (58) **Field of Classification Search**
USPC D7/624.1-624.3, 619.1-625, 387;
D26/14, 17, 98; D23/355-369;
62/457.1-457.9; 215/393-396;
220/738, 740, 796; 248/346.01,
248/346.11, 346.2-346.5, 311.2; 239/34,
239/44, 47, 48, 53-60, 326, 650;
261/DIG. 17, DIG. 42, DIG. 65, DIG. 88,
261/DIG. 89; 392/386, 390, 394, 395
CPC A61L 9/12; A47G 19/00; A47G 23/03;
A47G 23/032; A47G 29/00; A47G 23/02;
A47G 19/22
See application file for complete search history.

D281,758 S	12/1985	Trombly	
D286,026 S	10/1986	Rayner	
D309,109 S	7/1990	Allen	
D373,727 S	9/1996	Lowry	
D381,267 S	7/1997	Rush et al.	
D381,268 S	7/1997	Rush et al.	
D417,584 S	12/1999	Lillelund et al.	
6,102,352 A *	8/2000	Kvalvog	248/346.11
D436,536 S *	1/2001	Levi	D9/447
D443,924 S *	6/2001	Renella	D23/366
D475,573 S	6/2003	Jalet et al.	
D483,621 S *	12/2003	Snell	D7/624.1
6,786,062 B1 *	9/2004	Greenberg	62/457.4
D528,359 S	9/2006	Laib	
D570,212 S	6/2008	Sussman	
D598,530 S *	8/2009	Whitehead et al.	D23/366
D641,209 S	7/2011	Ablo	
D641,464 S *	7/2011	De Haan et al.	D23/366
D676,276 S	2/2013	Muspratt-Williams	
D694,061 S *	11/2013	Lee et al.	D7/388

* cited by examiner

Primary Examiner — Wan Laymon
Assistant Examiner — Mark Booker

(74) *Attorney, Agent, or Firm* — Banner & Witcoff, Ltd.

(57) **CLAIM**
The ornamental design for a coaster, as shown and described.

DESCRIPTION

FIG. 1 is a top, front perspective view of a coaster showing our new design;
 FIG. 2 is a front view thereof;
 FIG. 3 is a rear view thereof;
 FIG. 4 is a right side view thereof;
 FIG. 5 is a left side view thereof;
 FIG. 6 is a top view thereof; and,
 FIG. 7 is a bottom view thereof.

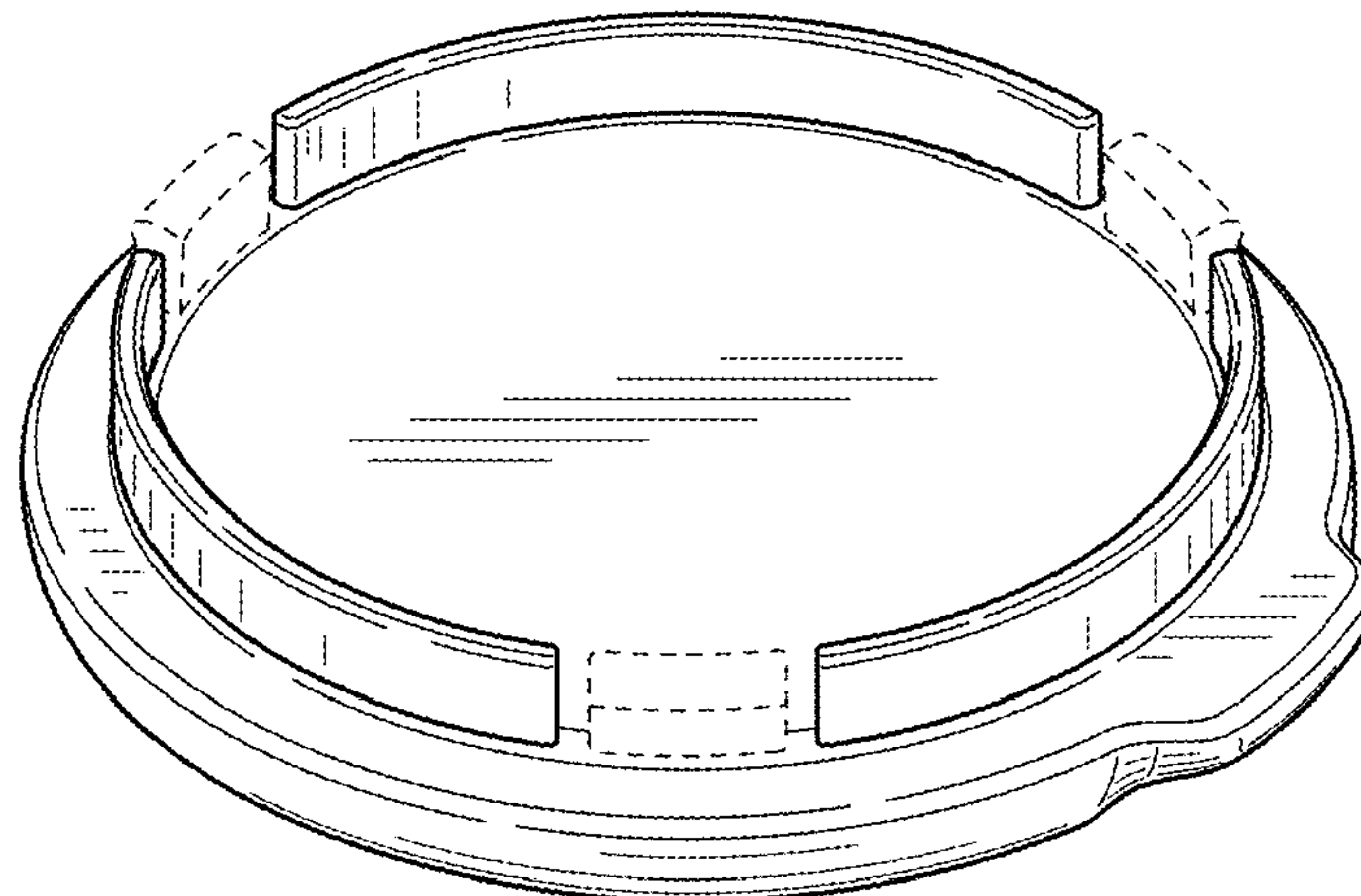
The broken lines immediately adjacent to the shaded area represent unclaimed boundaries of the design. The broken lines showing the remainder of the coaster are for environmental purposes only and form no part of the claimed design.

1 Claim, 3 Drawing Sheets

(56) **References Cited**

U.S. PATENT DOCUMENTS

1,971,337 A *	8/1934	Collins	428/66.5
2,893,163 A *	7/1959	Hazel, Jr.	248/346.11
3,268,198 A *	8/1966	Swett	248/346.11
3,610,456 A *	10/1971	Marsh	215/376
D228,721 S *	10/1973	Todd	D7/624.1



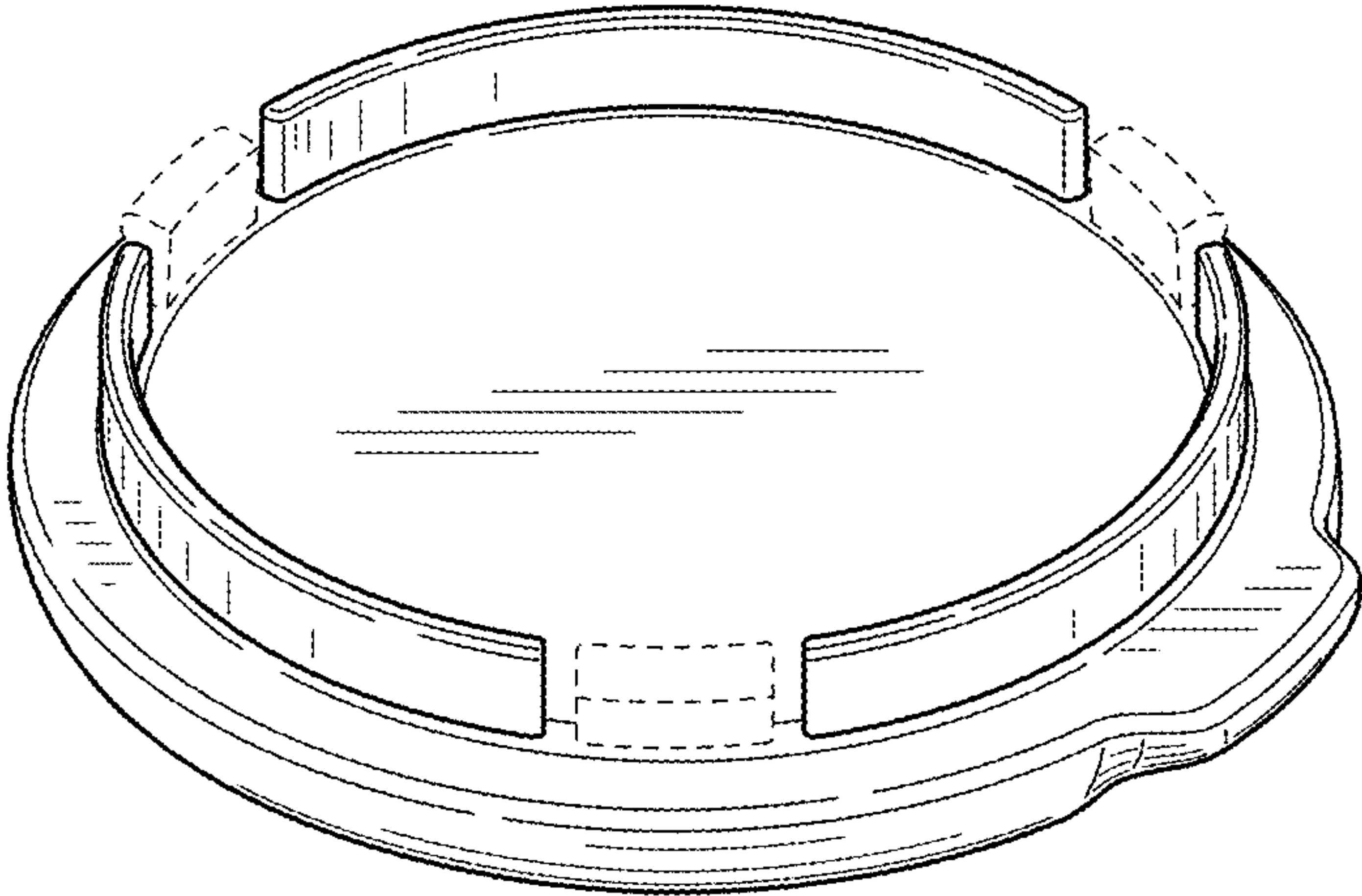


FIG. 1

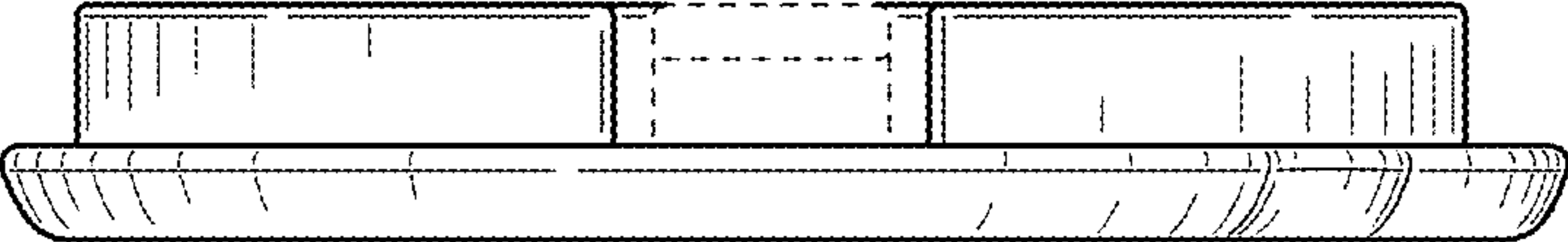


FIG. 2

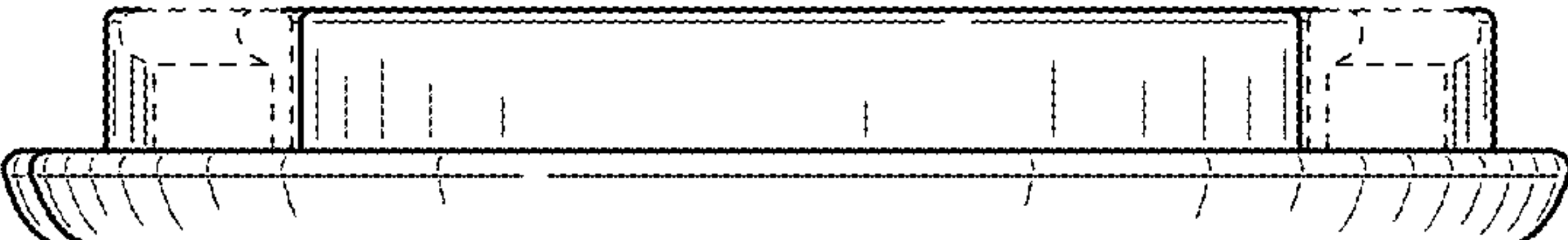


FIG. 3

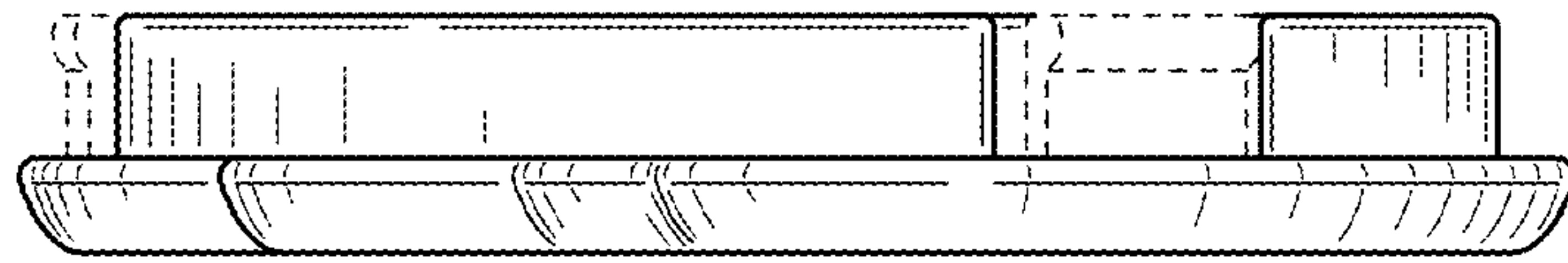


FIG. 4

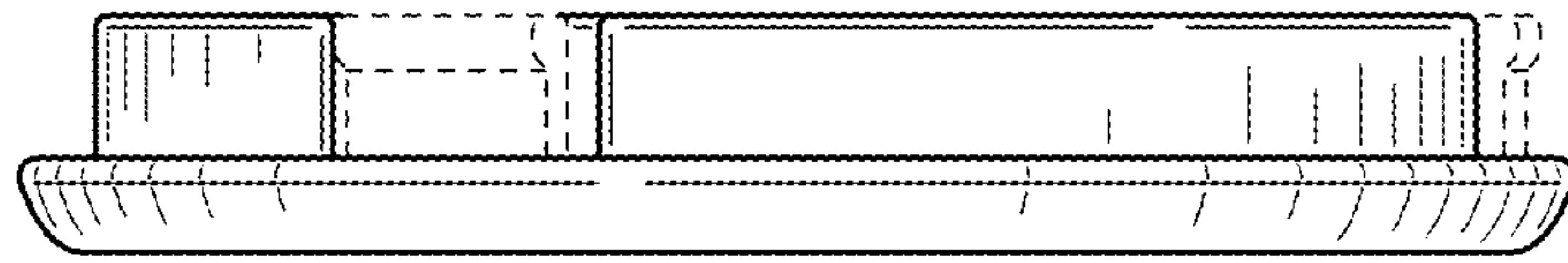


FIG. 5

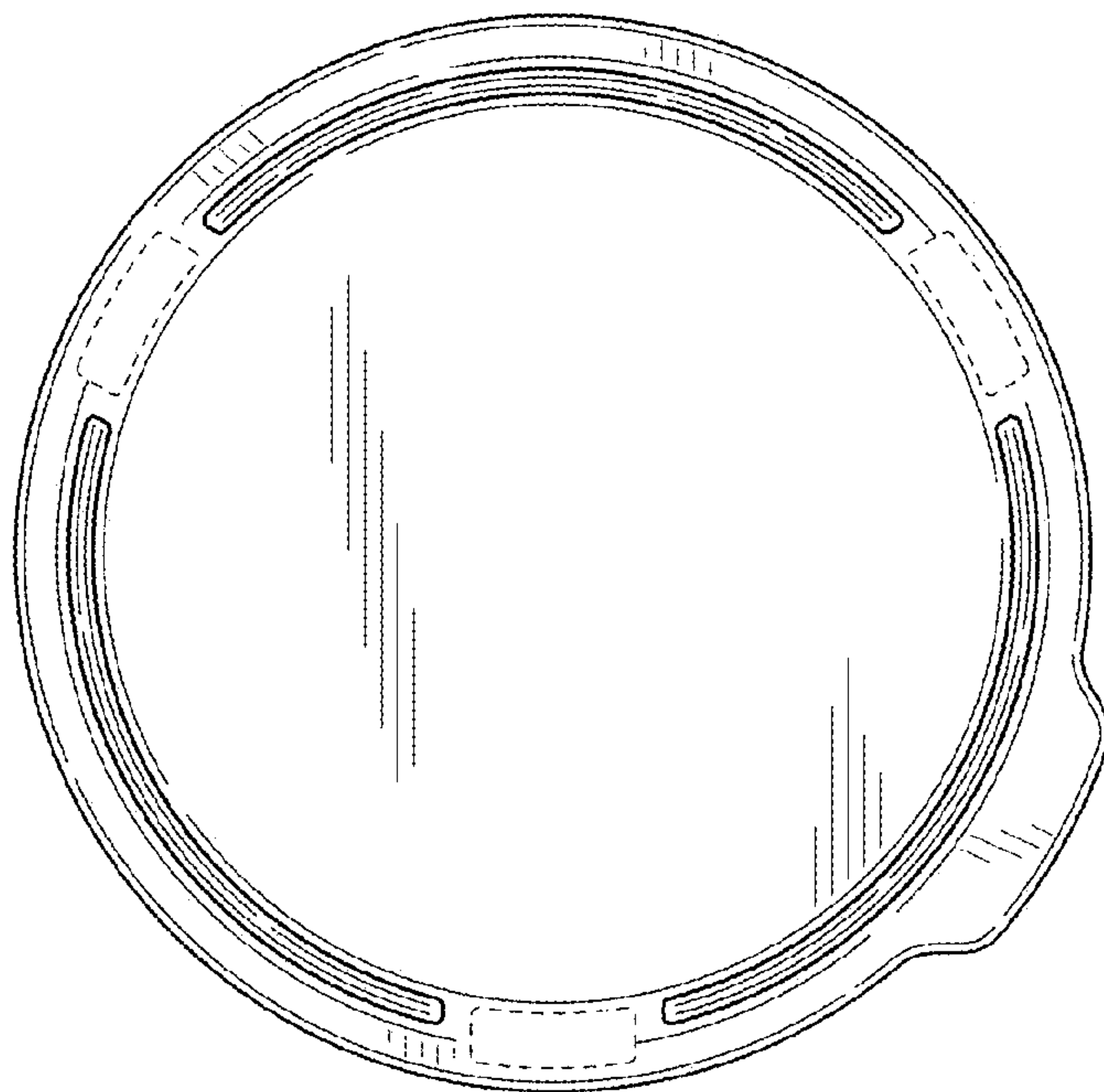


FIG. 6

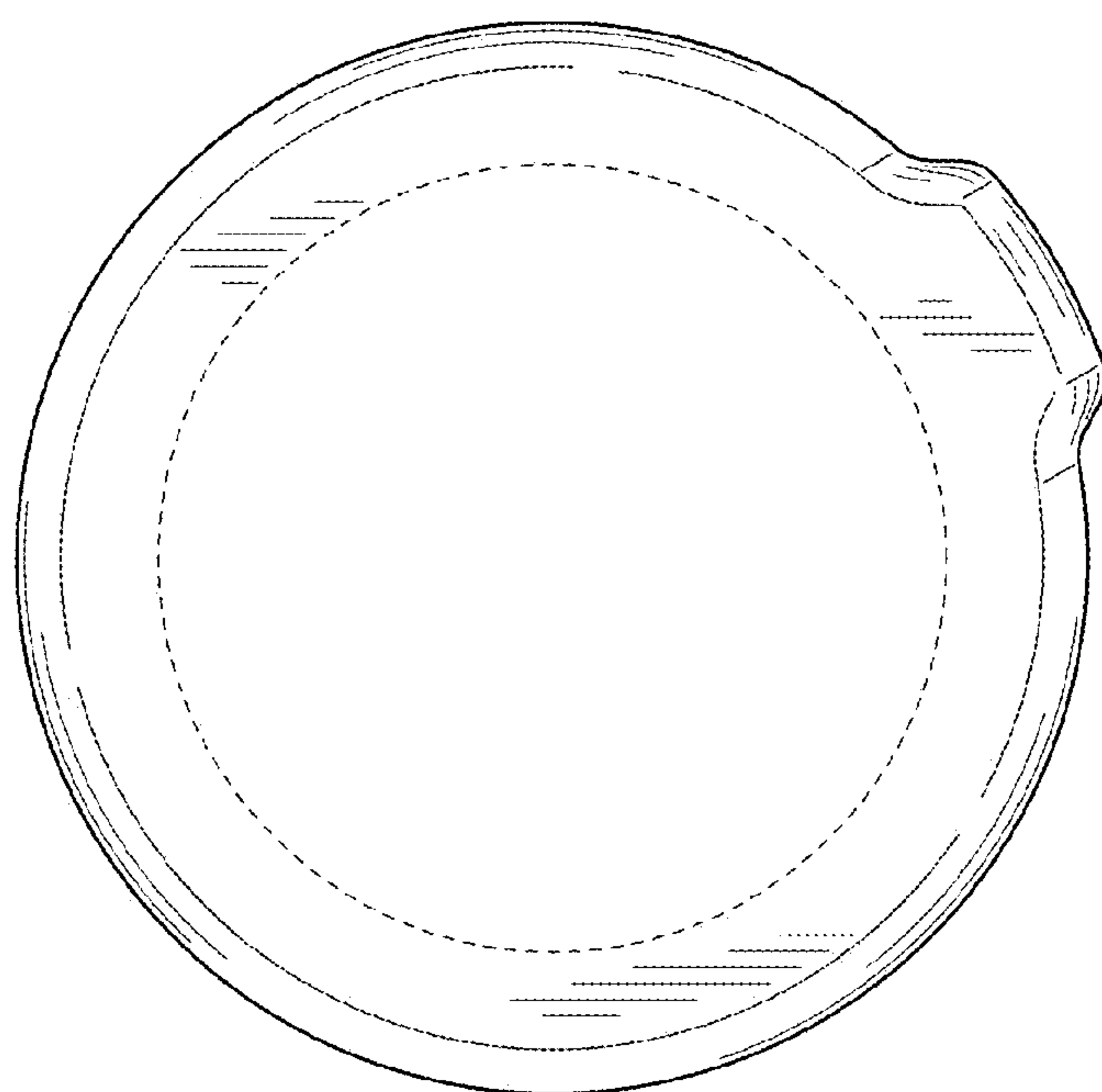


FIG. 7