



US00D734992S

(12) **United States Design Patent**
Boroski

(10) **Patent No.:** **US D734,992 S**

(45) **Date of Patent:** **** Jul. 28, 2015**

(54) **SOFT COOLER**

(71) Applicant: **THERMOS L.L.C.**, Schaumburg, IL
(US)

(72) Inventor: **Dwayne Boroski**, Lake in the Hills, IL
(US)

(73) Assignee: **THERMOS L.L.C.**, Schaumburg, IL
(US)

(**) Term: **14 Years**

(21) Appl. No.: **29/486,800**

(22) Filed: **Apr. 2, 2014**

(51) **LOC (10) Cl.** **07-01**

(52) **U.S. Cl.**
USPC **D7/605**

(58) **Field of Classification Search**
USPC D7/605–608, 387; 62/371, 372;
220/915.1, 915.2, 562.2, 592.01,
220/592.17–592.27, 592.03; 383/110, 109,
383/113
CPC F25D 2331/804; F25D 3/08; B65D 30/08
See application file for complete search history.

(56) **References Cited**

U.S. PATENT DOCUMENTS

D426,745 S *	6/2000	Bavitz	D7/605
D560,102 S *	1/2008	Sumter	D7/605
D634,982 S *	3/2011	Melchert et al.	D7/605
2005/0103044 A1 *	5/2005	Mogil et al.	62/457.7
2005/0279123 A1 *	12/2005	Maldonado et al.	62/457.7
2008/0229778 A1 *	9/2008	Shelton	62/457.5
2009/0294455 A1 *	12/2009	Pruchnicki	220/592.2
2009/0301511 A1 *	12/2009	Vinci	62/457.2
2012/0132657 A1 *	5/2012	Seiders	220/592.2

* cited by examiner

Primary Examiner — Terry Wallace

(74) *Attorney, Agent, or Firm* — Polsinelli PC

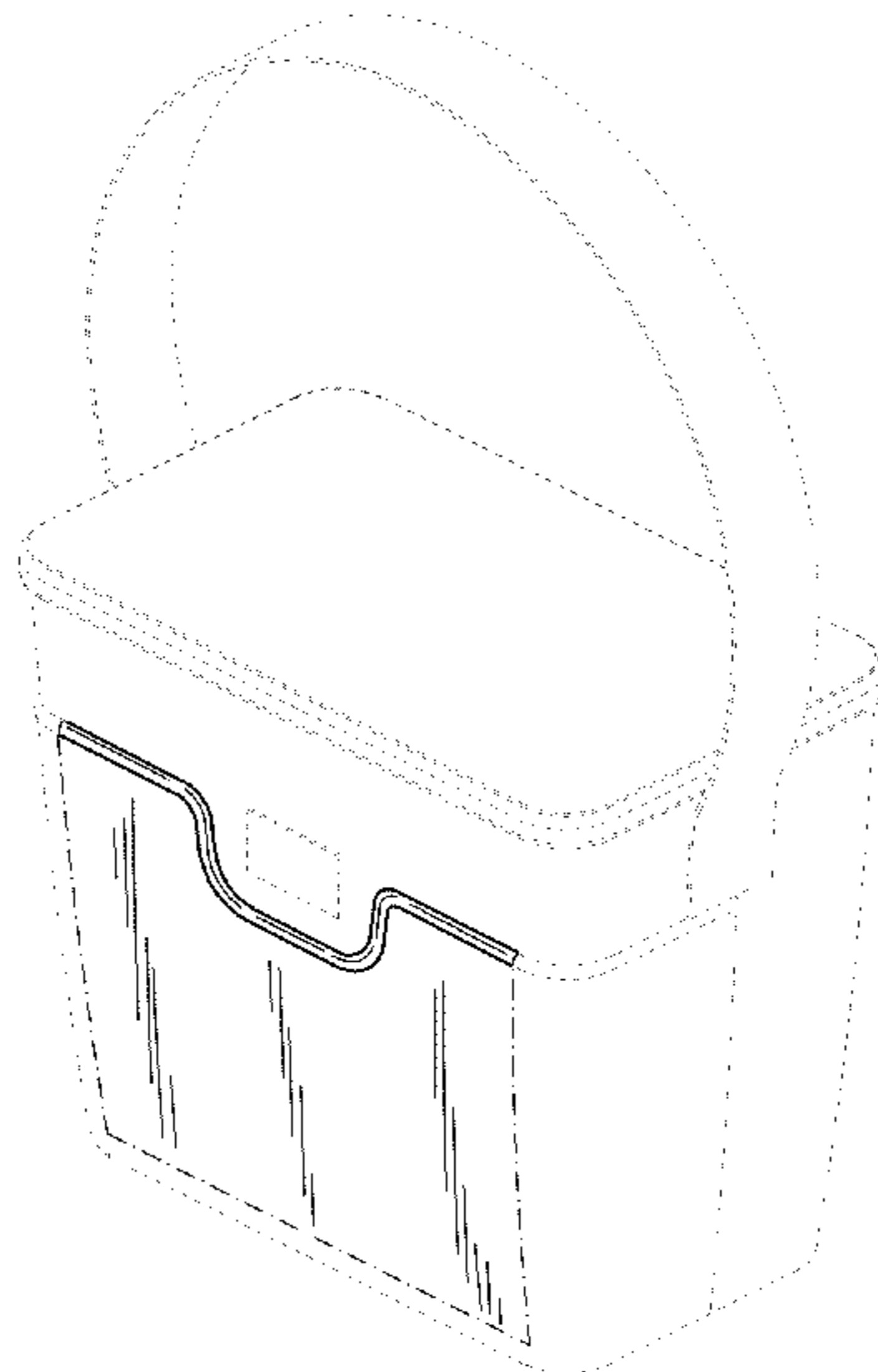
(57) **CLAIM**

The ornamental design for a soft cooler, as shown and described.

DESCRIPTION

FIG. 1 is a perspective view of the soft cooler;
 FIG. 2 is a front view of the soft cooler;
 FIG. 3 is a rear view of the soft cooler;
 FIG. 4 is a right side view of the soft cooler;
 FIG. 5 is a left side view of the soft cooler;
 FIG. 6 is a top view of the soft cooler;
 FIG. 7 is a bottom view of the soft cooler;
 FIG. 8 is a perspective view of a second embodiment of the soft cooler;
 FIG. 9 is a front view of the second embodiment of the soft cooler;
 FIG. 10 is a rear view of the second embodiment of the soft cooler;
 FIG. 11 is a right side view of the second embodiment of the soft cooler;
 FIG. 12 is a left side view of the second embodiment of the soft cooler;
 FIG. 13 is a top view of the second embodiment of the soft cooler; and,
 FIG. 14 is a bottom view of the second embodiment of the soft cooler.
 The broken lines showing in the figures are included for the purpose of illustrating portions of the soft cooler that form no part of the claimed design. The dash-dot lines showing in the figures are included for defining the bounds of the claimed design that form no part thereof.

1 Claim, 10 Drawing Sheets



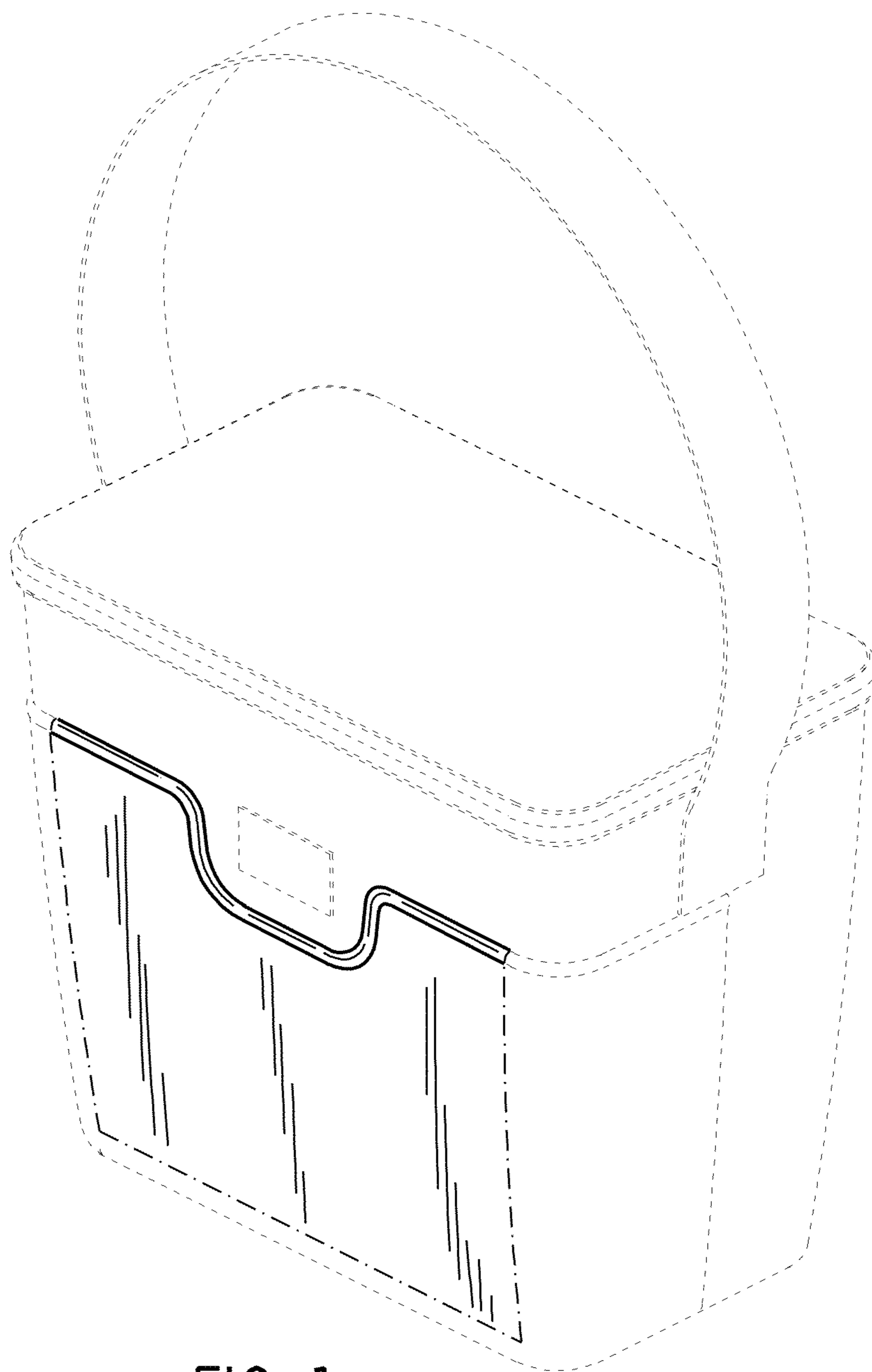


FIG. 1

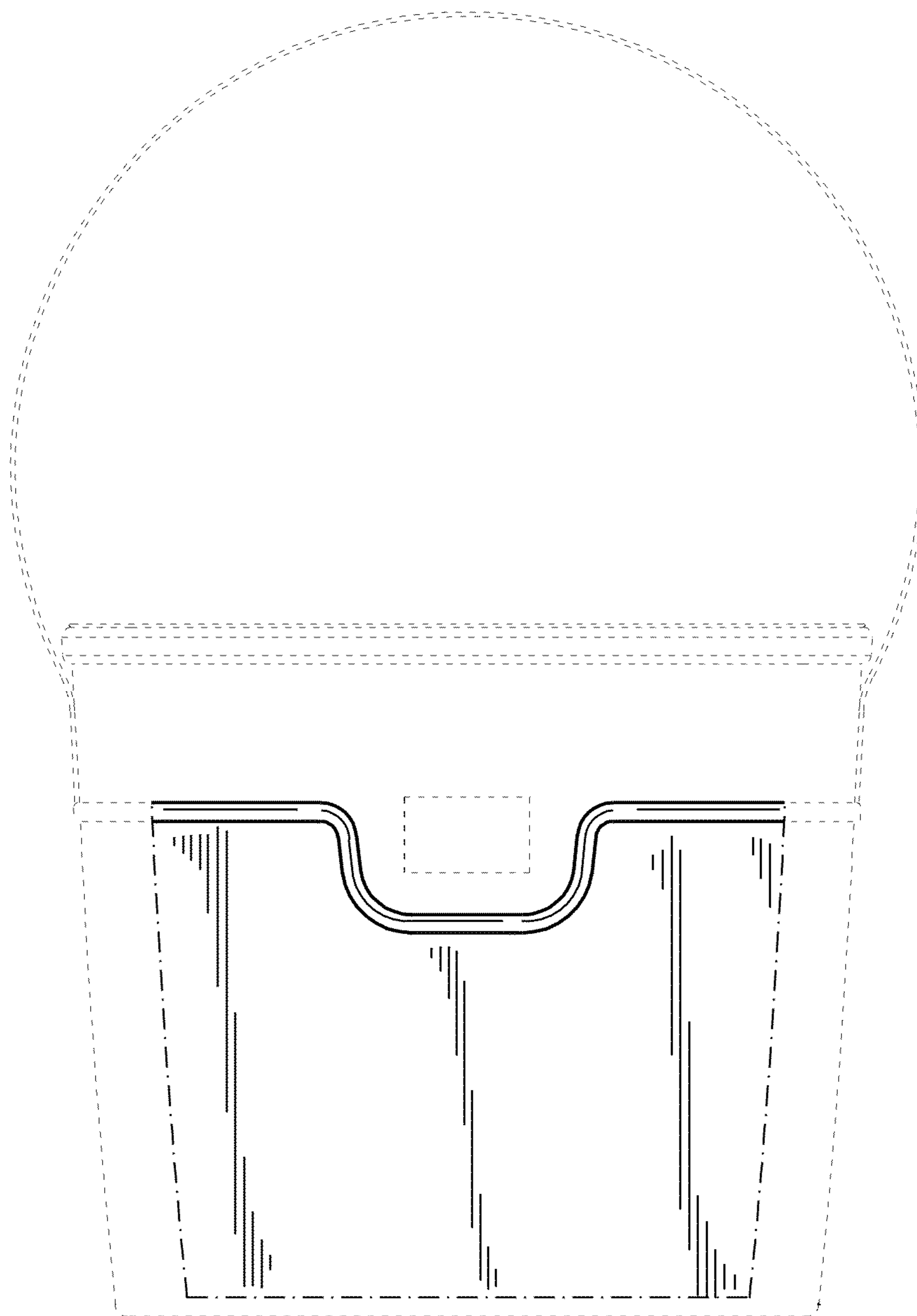


FIG. 2

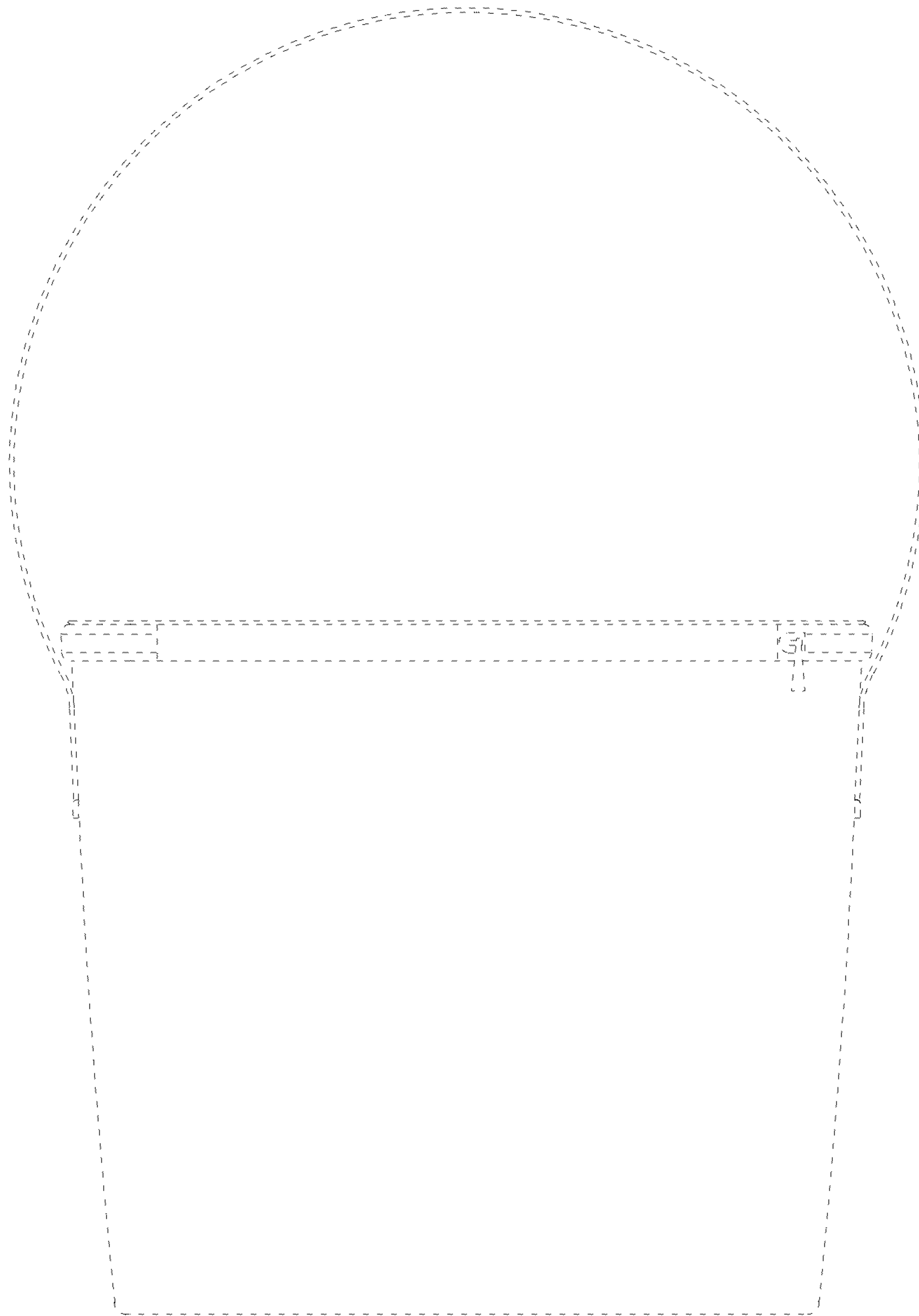


FIG. 3

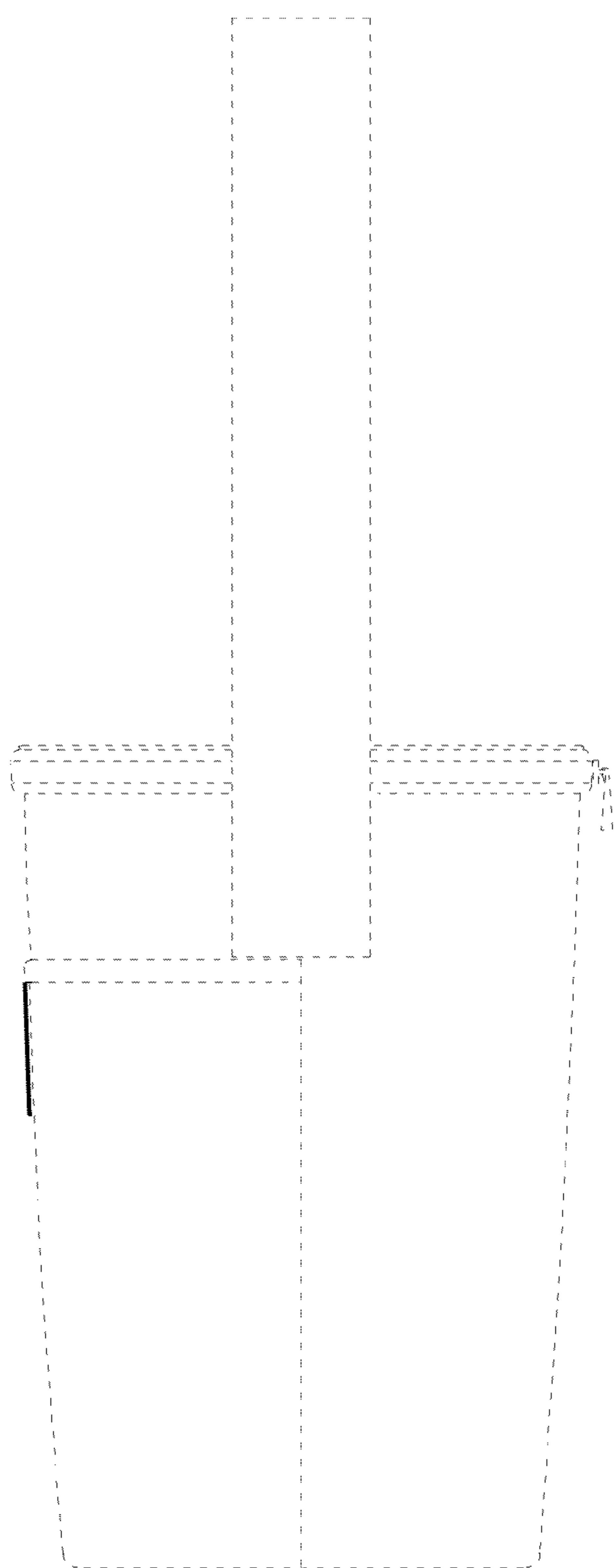


FIG. 4

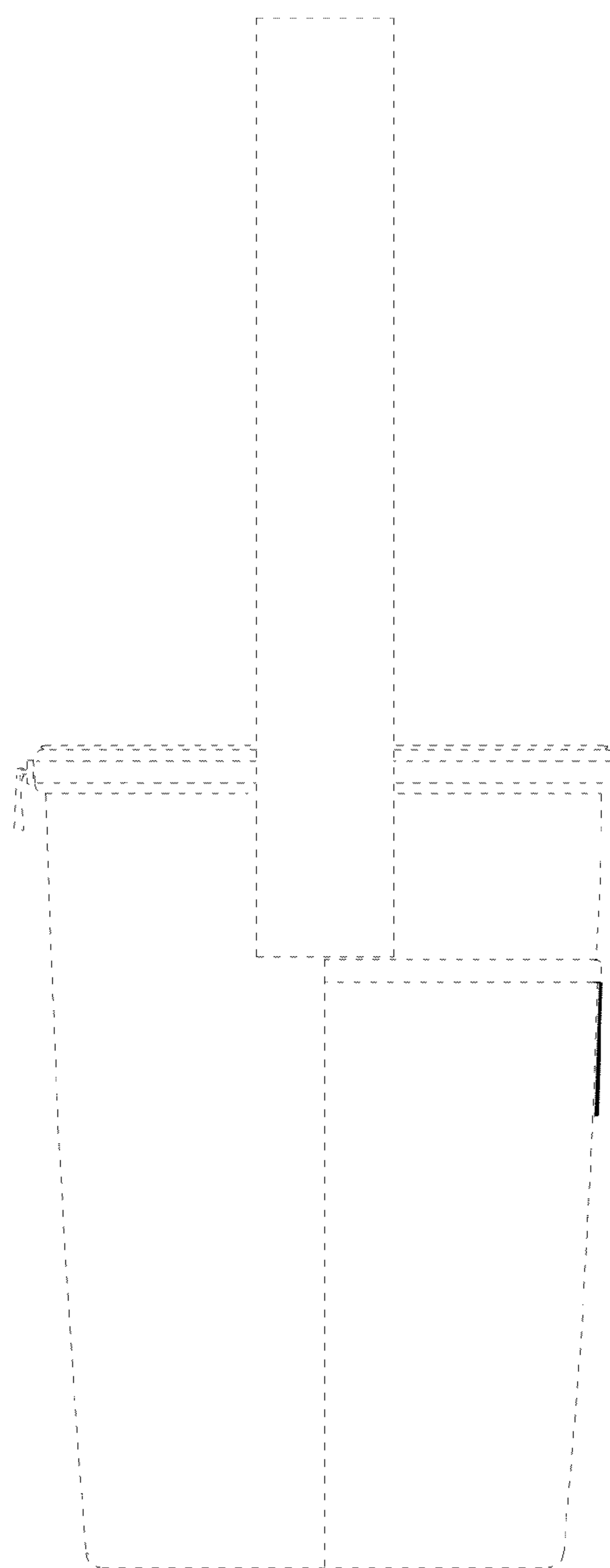


FIG. 5

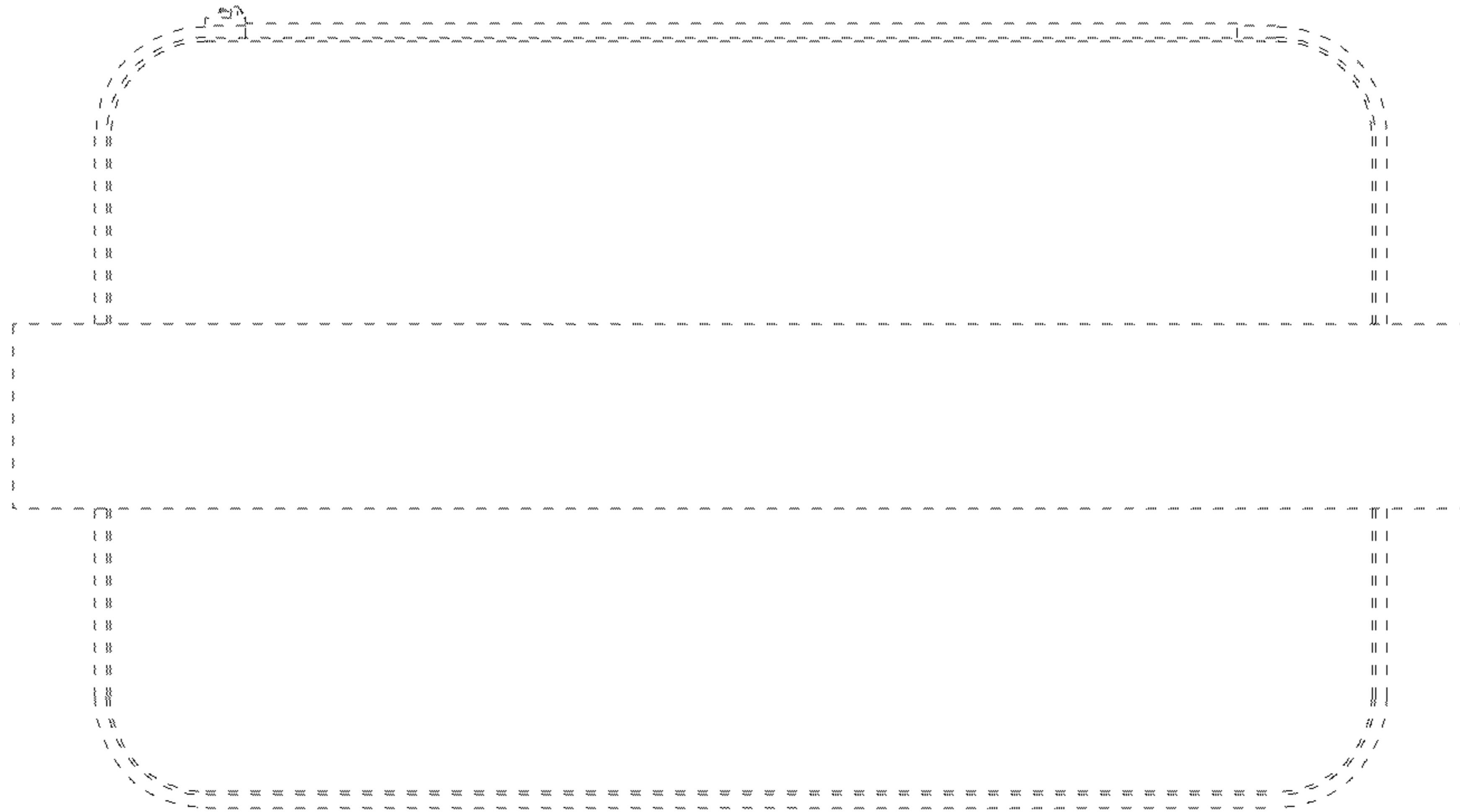


FIG. 6

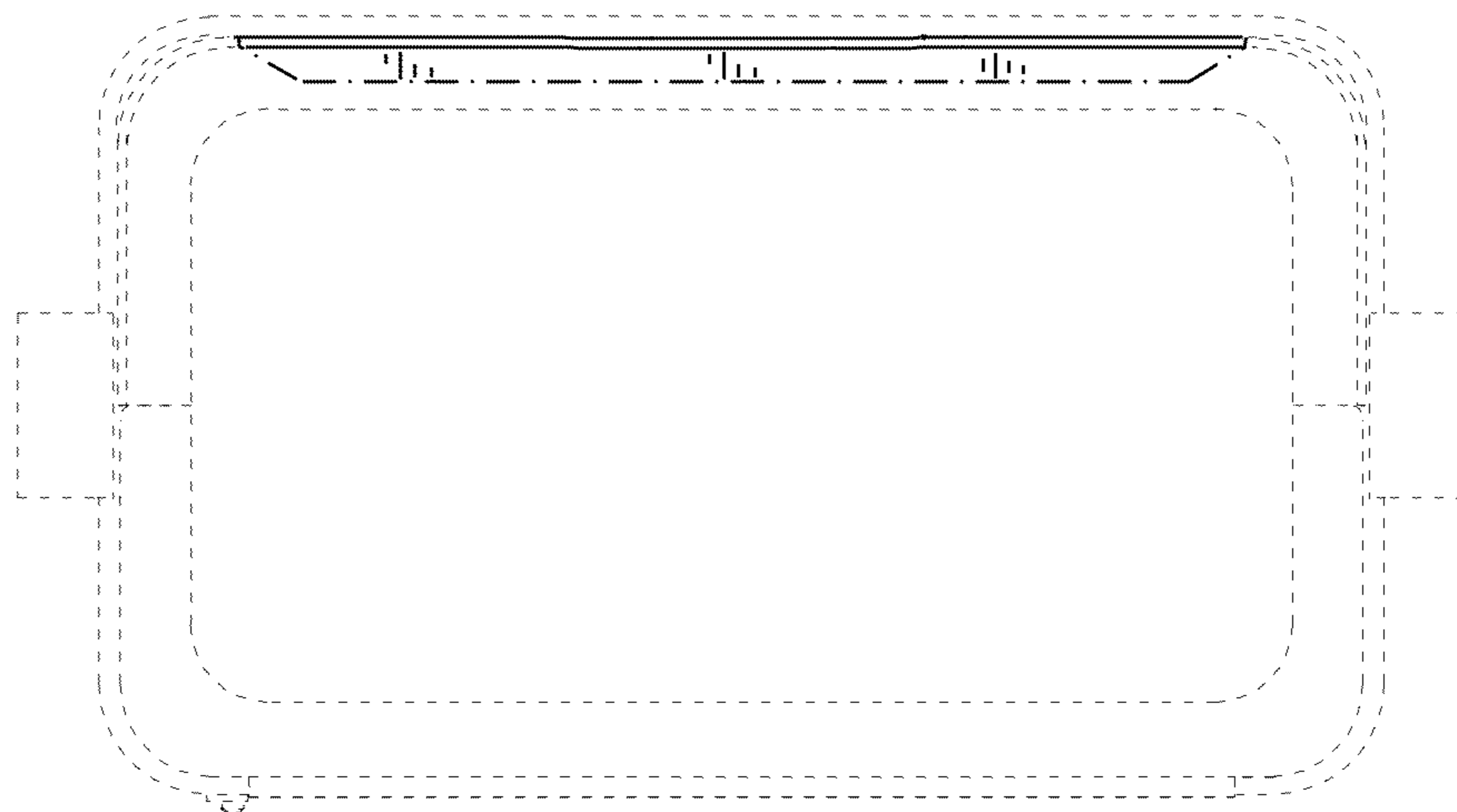


FIG. 7

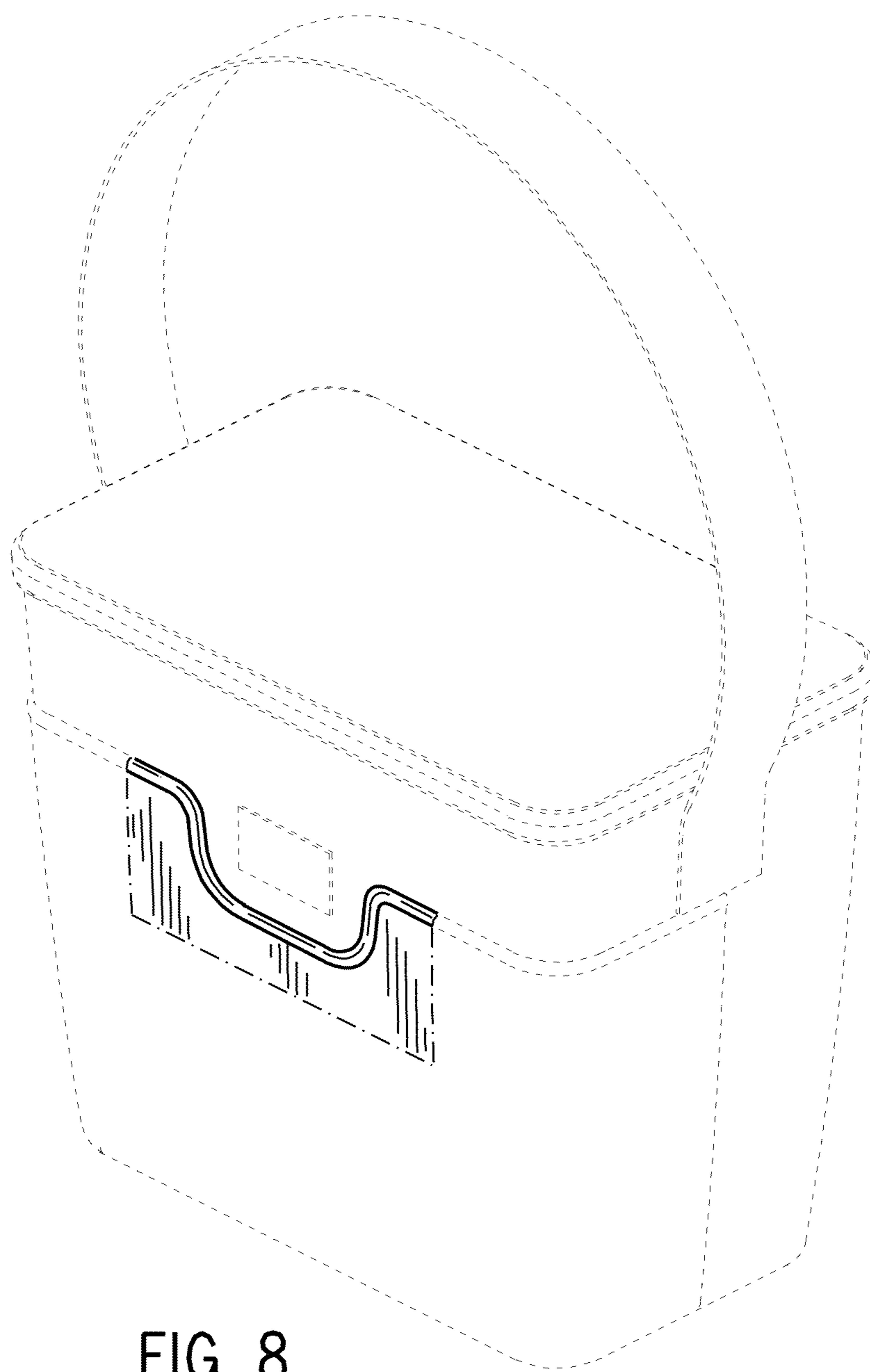


FIG. 8

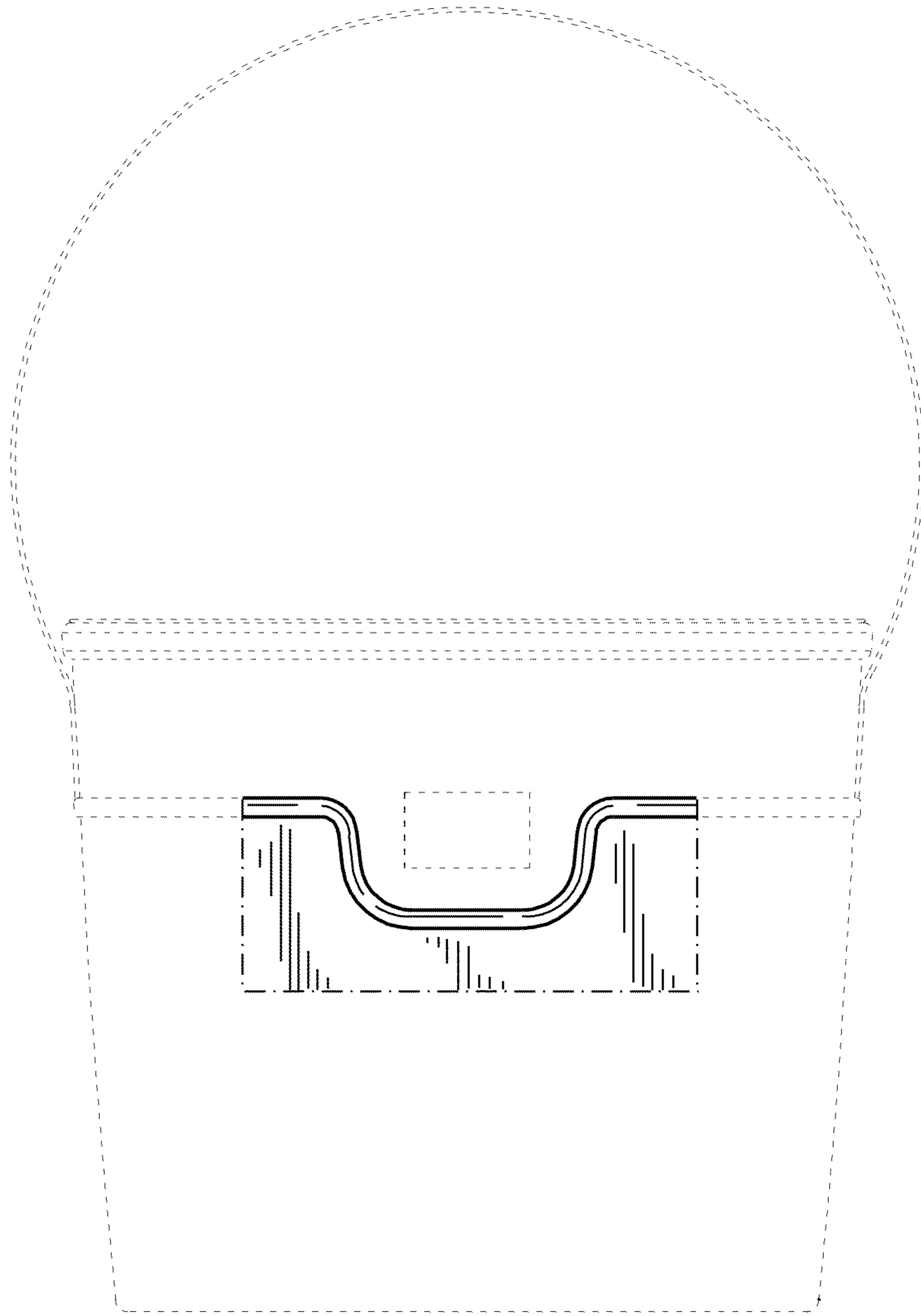


FIG. 9

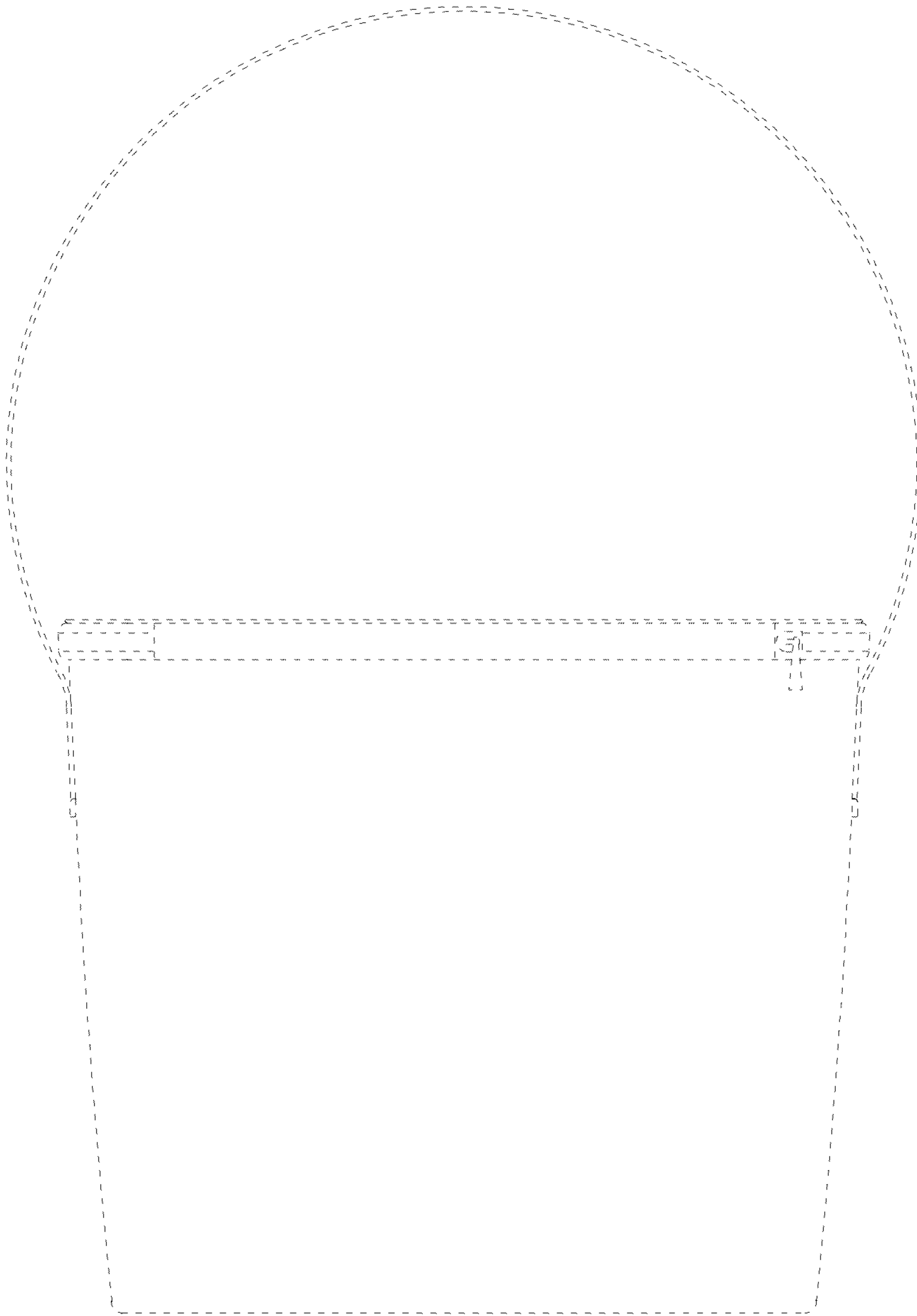


FIG. 10

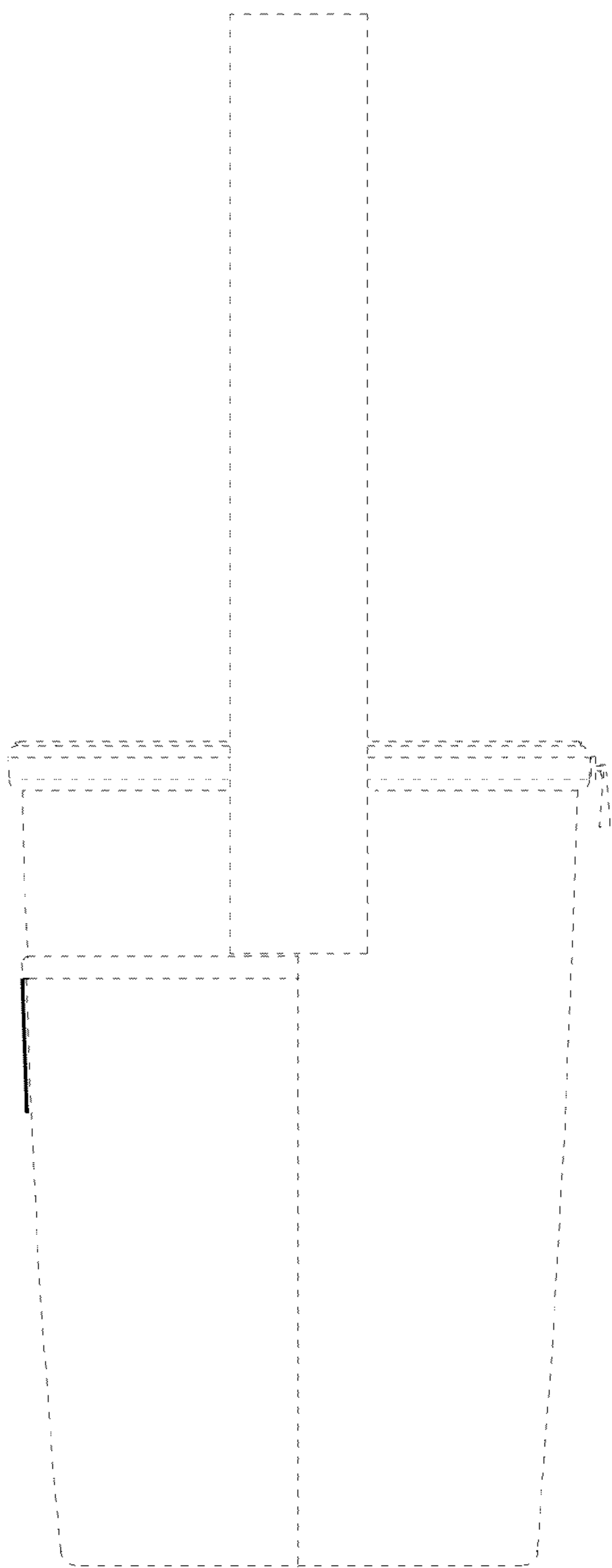


FIG. 11

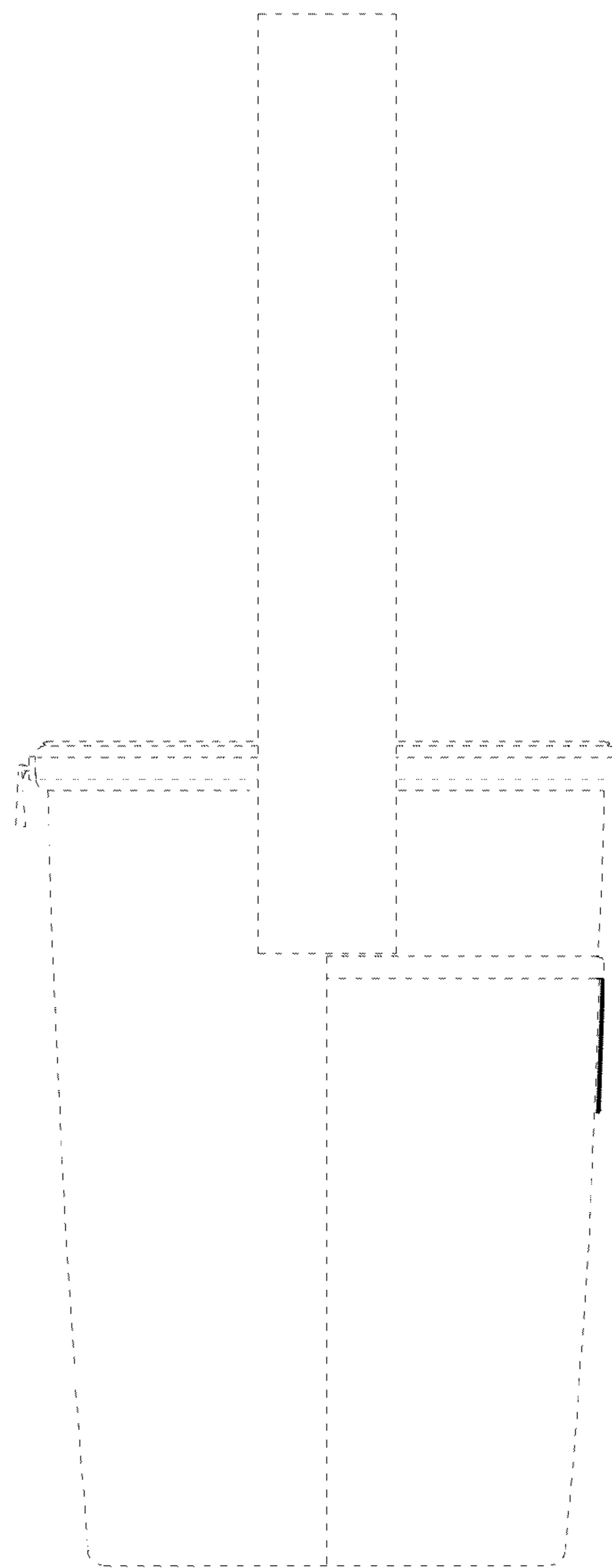


FIG. 12

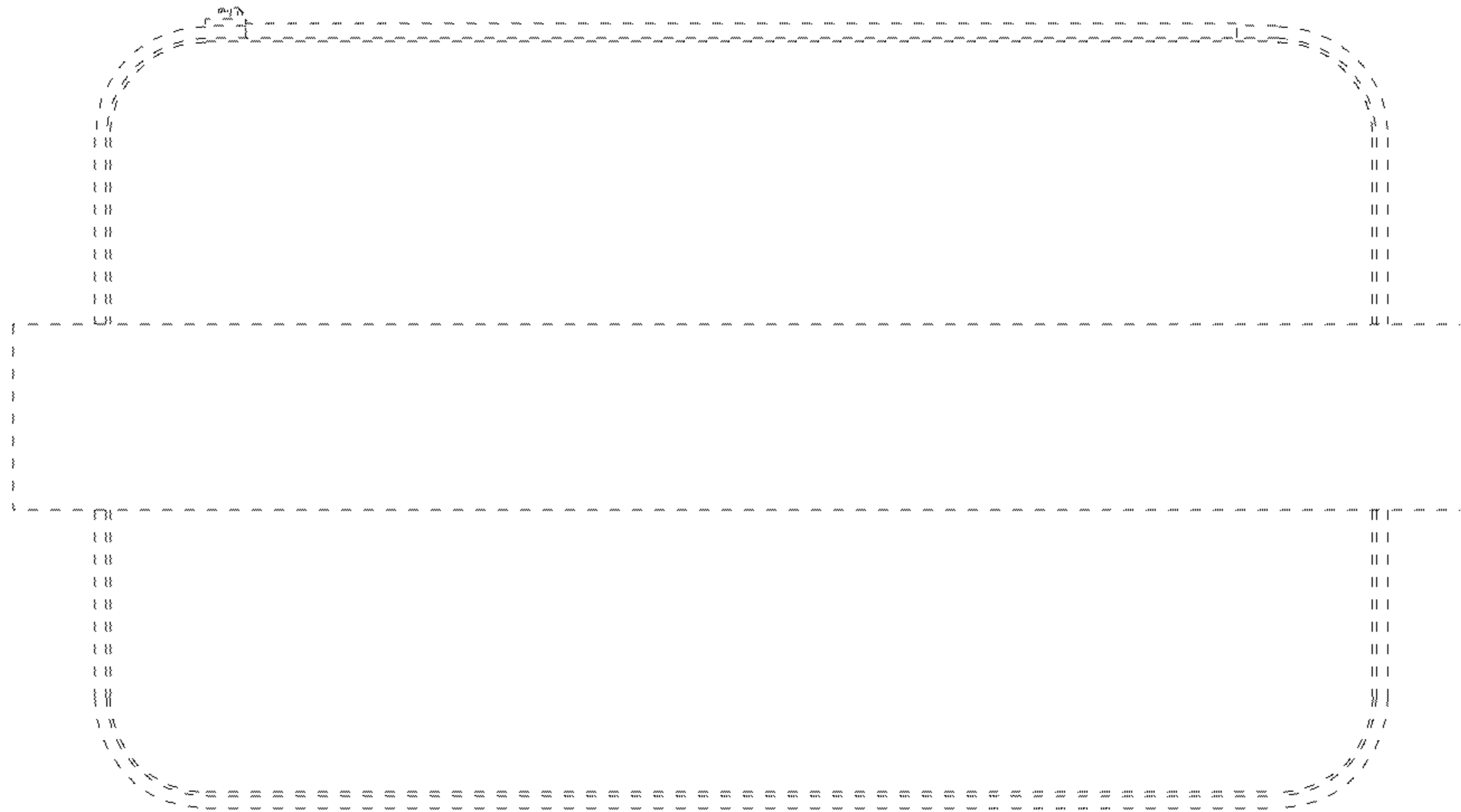


FIG. 13

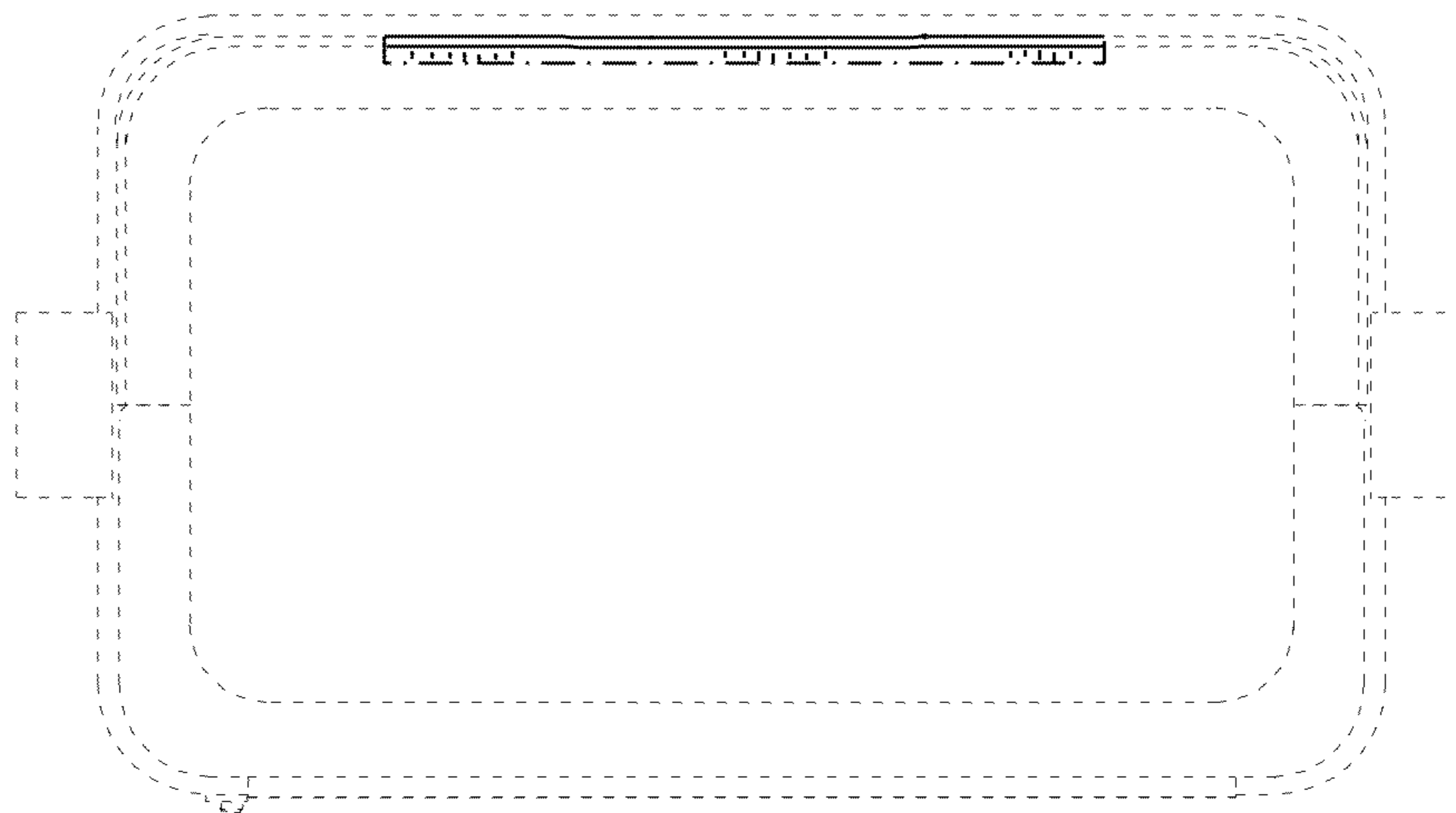


FIG. 14