



US00D734991S

(12) **United States Design Patent**  
**Carlson**

(10) **Patent No.:** **US D734,991 S**  
(45) **Date of Patent:** **\*\* \*Jul. 28, 2015**

- (54) **CONTAINER BASE**
- (71) Applicant: **The Decor Corporation Pty. Ltd.,**  
Scoresby (AU)
- (72) Inventor: **Arthur Richard Carlson,** Hawthorn  
(AU)
- (73) Assignee: **The Decor Corporation Pty. Ltd.,**  
Scoresby, Victoria (AU)
- (\*) Notice: This patent is subject to a terminal disclaimer.
- (\*\*) Term: **14 Years**
- (21) Appl. No.: **29/450,741**
- (22) Filed: **Mar. 21, 2013**

- D170,104 S 7/1953 Zabel
- D186,194 S 9/1959 Beverlin
- 3,142,413 A 7/1964 Grogel
- 3,384,263 A 5/1968 Bernstein
- D220,448 S \* 4/1971 Swett et al. .... D7/629
- D224,553 S 8/1972 Swett
- D224,554 S 8/1972 Swett
- D229,916 S 1/1974 Schneider
- D232,703 S 9/1974 Konz
- D234,568 S 3/1975 Swett
- D235,406 S \* 6/1975 Daenen ..... D7/629
- D238,137 S 12/1975 Swett
- D238,148 S 12/1975 Dilot
- D240,114 S 6/1976 Martinelli
- D241,599 S 9/1976 Croyle
- D241,703 S 10/1976 Aston
- 4,046,310 A 9/1977 Gustafsson
- D256,557 S 8/1980 Ikushima et al.
- D267,703 S 1/1983 Chase et al.
- D281,048 S \* 10/1985 Wolff ..... D7/602
- D285,906 S 9/1986 Tyler
- D287,559 S 1/1987 Daenen et al.

(Continued)

- (30) **Foreign Application Priority Data**
- Sep. 21, 2012 (AU) ..... 14733/2012

*Primary Examiner* — Ricky Pham  
(74) *Attorney, Agent, or Firm* — Cook Alex Ltd.

- (51) **LOC (10) Cl.** ..... **07-07**
- (52) **U.S. Cl.**  
USPC ..... **D7/602**
- (58) **Field of Classification Search**  
USPC ..... D7/601–602, 629–630, 538–542;  
D9/424–432; 220/4.23–4.25, 236, 266,  
220/324–326, 660, 669–673, 675,  
220/780–806; 229/406–407  
CPC ..... B65D 43/0206; B65D 2251/00  
See application file for complete search history.

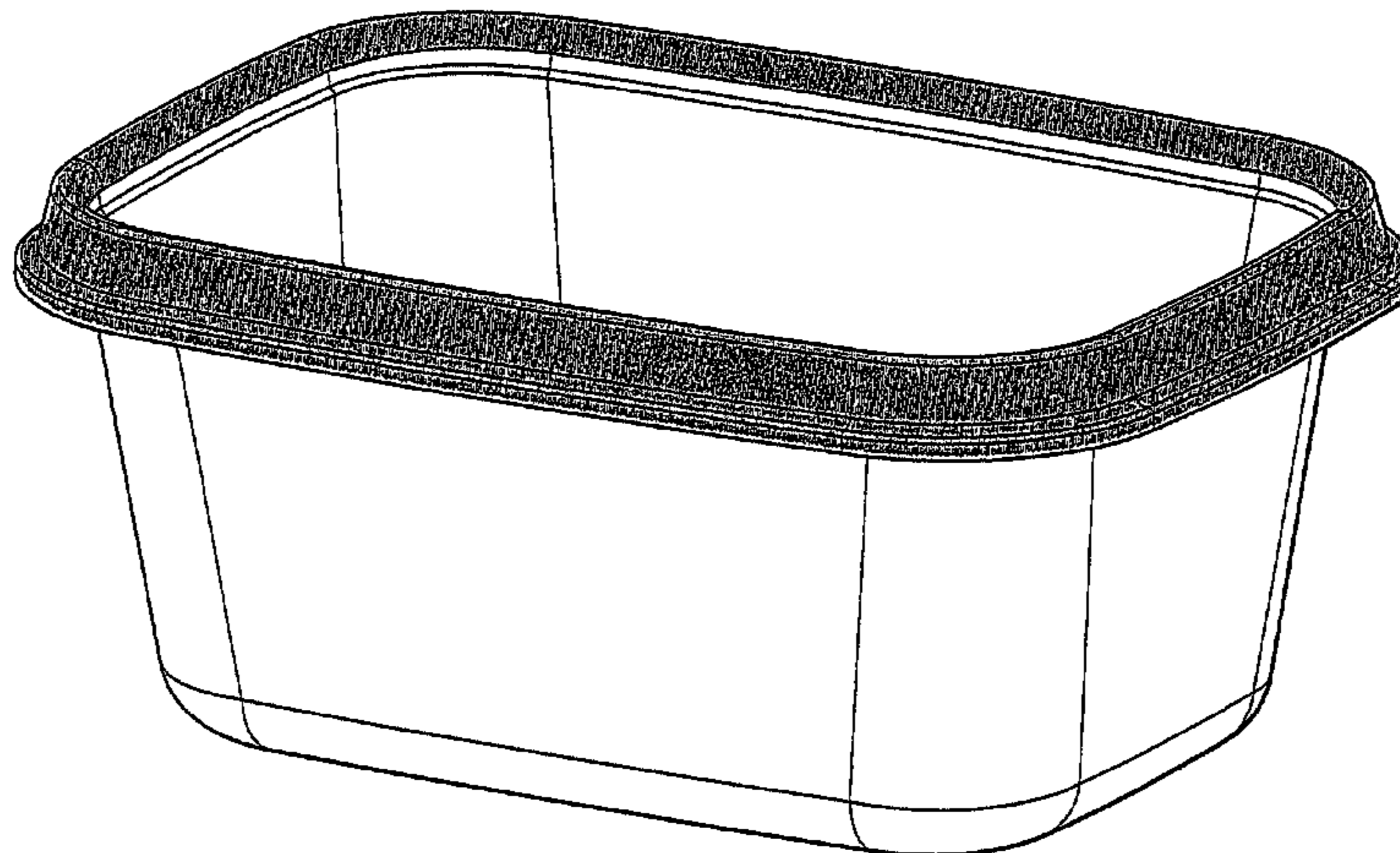
(57) **CLAIM**  
The ornamental design for a container base, as shown and described.

**DESCRIPTION**

FIG. 1 is a front perspective view, from above, of the claimed design;  
FIG. 2 is a top plan view of the claimed design;  
FIG. 3 is an underneath plan view of the claimed design; and,  
FIG. 4 is a side view of the claimed design, the opposite side is a mirror image.  
The shading on the rim of the container base represents a color contrast with the other portions of the container base, the shape and contour of which do not form a part of the design.

- (56) **References Cited**  
U.S. PATENT DOCUMENTS
- D3,357 S 2/1869 Pratt
- D3,358 S 2/1869 Pratt
- D117,714 S 11/1939 Guttman
- D162,579 S 3/1951 Roop

**1 Claim, 4 Drawing Sheets**



(56)

References Cited

U.S. PATENT DOCUMENTS

D287,573 S	1/1987	Tyler	D618,516 S	6/2010	DiPietro et al.
D289,719 S	5/1987	Daenen et al.	D630,899 S	1/2011	Samartgis
4,819,824 A *	4/1989	Longbottom et al. .... 220/266	D630,900 S	1/2011	Samartgis
D305,410 S	1/1990	Tyler	D630,901 S	1/2011	Samartgis
5,065,887 A	11/1991	Schuh et al.	D631,298 S	1/2011	Samartgis
D326,391 S	5/1992	Verchere	D631,299 S	1/2011	Samartgis
D330,660 S	11/1992	Newton et al.	D631,300 S	1/2011	Samartgis
D342,817 S	12/1993	Lippisch et al.	D631,706 S	2/2011	Samartgis
D351,791 S	10/1994	Morris, Sr.	D631,707 S	2/2011	Samartgis
D354,655 S	1/1995	Daenen et al.	D642,049 S	7/2011	Samartgis
D358,328 S	5/1995	Huerto et al.	D642,050 S	7/2011	Samartgis
D360,898 S	8/1995	Huerto et al.	D642,051 S	7/2011	Samartgis
D363,662 S	10/1995	Plater	D642,052 S	7/2011	Samartgis
D365,273 S	12/1995	Indekeu	D642,457 S	8/2011	Samartgis
D375,654 S	11/1996	Ferris	D642,458 S	8/2011	Samartgis
D375,836 S	11/1996	Conti	D642,861 S	8/2011	Samartgis
D377,739 S	2/1997	Carlson	D642,905 S	8/2011	Samartgis
D379,287 S	5/1997	Carlson	D642,906 S	8/2011	Samartgis
D384,864 S	10/1997	Carlson	D642,907 S	8/2011	Samartgis
D403,582 S	1/1999	Nask et al.	D643,710 S	8/2011	Samartgis
D403,583 S	1/1999	Nask et al.	D643,711 S	8/2011	Samartgis
D403,924 S	1/1999	Carlson	D643,712 S	8/2011	Samartgis
D404,571 S	1/1999	Evans	D644,883 S	9/2011	Samartgis
D413,231 S	8/1999	Loew et al.	D644,884 S	9/2011	Samartgis
D420,859 S	2/2000	Loew et al.	D644,885 S	9/2011	Samartgis
D428,310 S	7/2000	Zettle et al.	D644,886 S	9/2011	Samartgis
D440,725 S	4/2001	Zimmerman	D644,887 S	9/2011	Samartgis
D446,117 S	8/2001	Conti	D644,888 S	9/2011	Samartgis
D448,133 S	9/2001	Windle	D649,409 S *	11/2011	Segal ..... D7/629
D457,784 S	5/2002	Torniainen et al.	D655,576 S	3/2012	Samartgis
D469,320 S	1/2003	Pettaweebuncha	D655,577 S	3/2012	Samartgis
D484,797 S	1/2004	Kipperman et al.	D655,578 S	3/2012	Samartgis
D513,376 S	1/2006	Shannon	D666,875 S *	9/2012	Rusnak ..... D7/602
D536,248 S	2/2007	Lesquir	D666,876 S *	9/2012	Rusnak ..... D7/602
D540,669 S	4/2007	George et al.	D672,614 S *	12/2012	Stamper et al. .... D7/602
D542,591 S	5/2007	Carlson	D697,762 S *	1/2014	Carlson ..... D7/602
D548,588 S	8/2007	Bouveret et al.	D697,763 S *	1/2014	Carlson ..... D7/602
D555,476 S	11/2007	Nielsen et al.	D697,764 S *	1/2014	Carlson ..... D7/602
D571,200 S	6/2008	Bouveret et al.	D698,609 S *	2/2014	Duvigneau ..... D7/602
D581,204 S	11/2008	Simon et al.	D700,481 S *	3/2014	Yessin et al. .... D7/602
D584,145 S	1/2009	Young	D700,482 S *	3/2014	Yessin et al. .... D7/629
D588,914 S	3/2009	Laurieu-Tedeschi	D708,015 S *	7/2014	Carlson ..... D7/602
D593,855 S	6/2009	Scheve	D708,016 S *	7/2014	Carlson ..... D7/602
D595,128 S	6/2009	Bouveret et al.	D708,017 S *	7/2014	Carlson ..... D7/602
D601,386 S	10/2009	Carlson	D708,018 S *	7/2014	Carlson ..... D7/602
D601,387 S	10/2009	Carlson	D716,613 S *	11/2014	Carlson ..... D7/602
D601,388 S	10/2009	Carlson	D717,119 S *	11/2014	Carlson ..... D7/602
D601,857 S	10/2009	Carlson	D717,120 S *	11/2014	Carlson ..... D7/602
D611,807 S *	3/2010	Miga, Jr. .... D9/424	D717,121 S *	11/2014	Carlson ..... D7/602
D614,919 S	5/2010	Carlson	D717,122 S *	11/2014	Carlson ..... D7/602
			D718,983 S *	12/2014	Yessin et al. .... D7/629
			2009/0120937 A1 *	5/2009	Vovan ..... 220/270

\* cited by examiner

FIG. 1

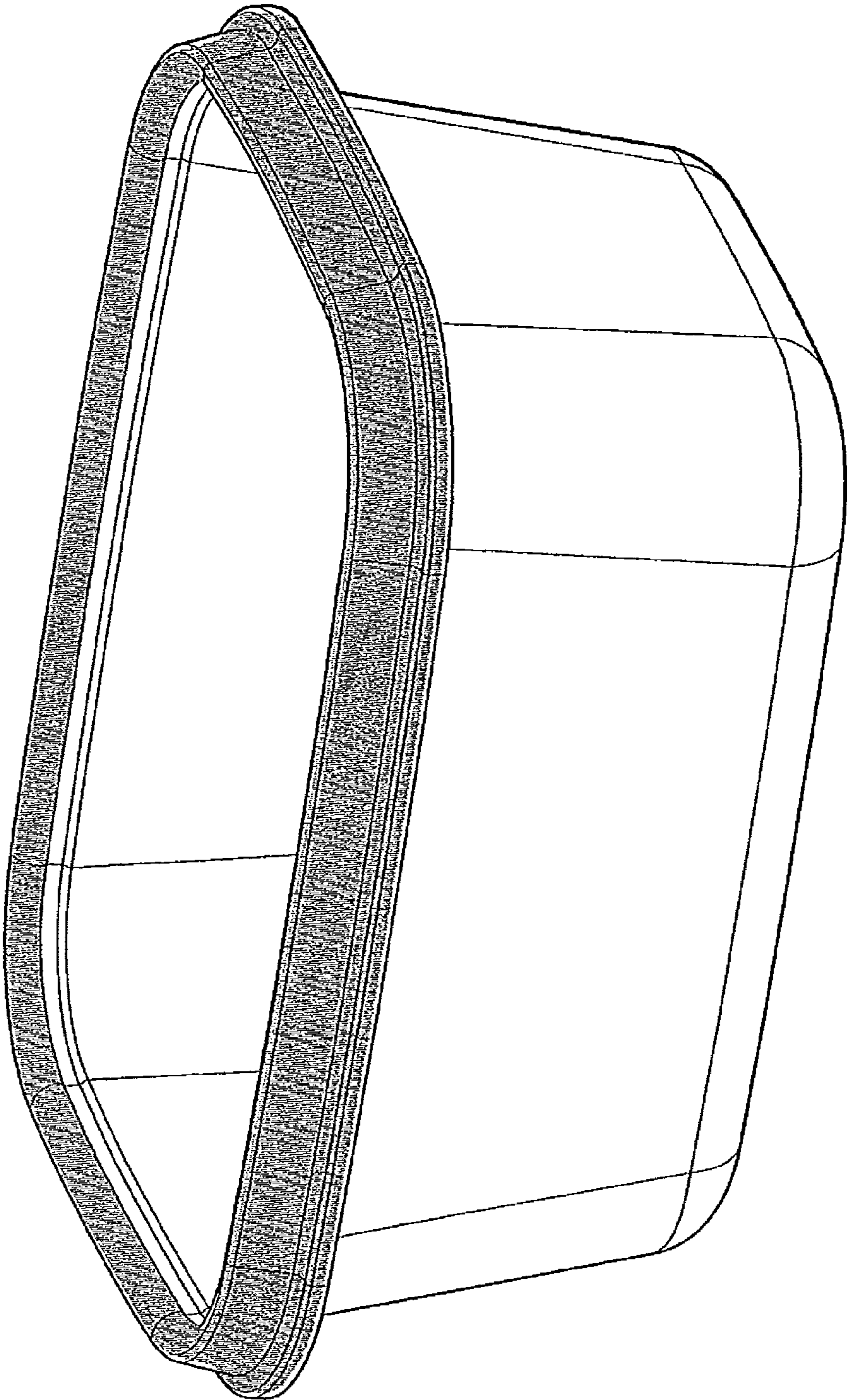


FIG. 2

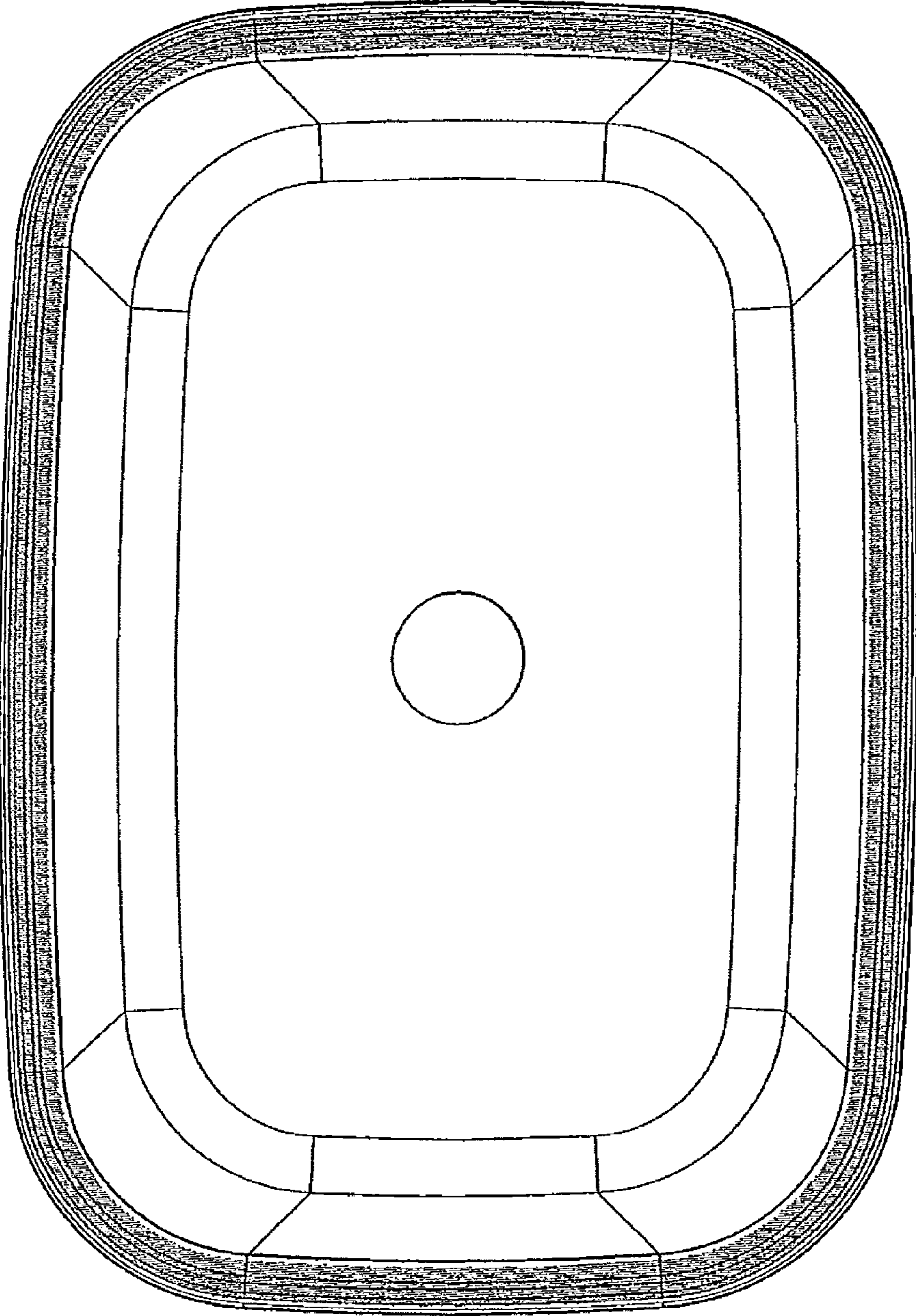


FIG. 3

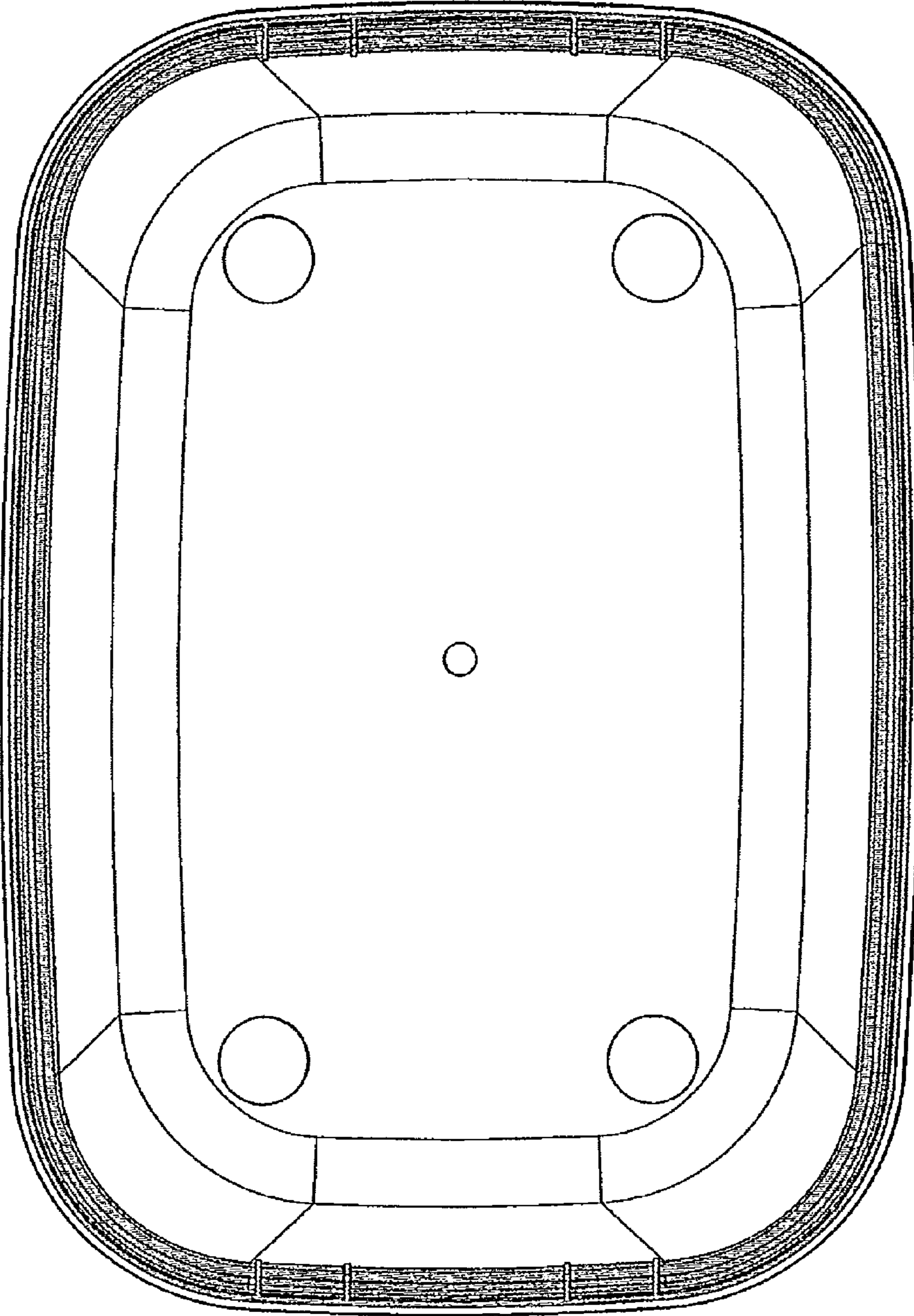


FIG. 4

