



US00D734986S

(12) **United States Design Patent**
Cotter

(10) **Patent No.:** **US D734,986 S**

(45) **Date of Patent:** **** Jul. 28, 2015**

(54) **CANNING RACK**

(56) **References Cited**

(71) Applicant: **Progressive International Corporation,**
Kent, WA (US)

U.S. PATENT DOCUMENTS

(72) Inventor: **Jennifer K. Cotter,** Seattle, WA (US)

1,530,175	A *	3/1925	Hatch, Jr.	220/6
1,631,725	A *	6/1927	Halvorsen	211/85.31
2,573,770	A *	11/1951	Meadow	150/107
2,732,096	A *	1/1956	Siciliano	220/769
RE24,581	E *	12/1958	Escaut	220/489
3,212,426	A *	10/1965	Lewus	99/339
3,301,172	A *	1/1967	Longo	99/446
3,516,573	A *	6/1970	Mizuk	220/608
D299,300	S *	1/1989	Lie	D7/672
D339,266	S *	9/1993	Lockett	D7/409
D695,059	S *	12/2013	Mehler et al.	D7/359
2004/0187705	A1 *	9/2004	Mann	99/426

(73) Assignee: **Progressive International Corporation,**
Kent, WA (US)

(**) Term: **14 Years**

(21) Appl. No.: **29/480,163**

* cited by examiner

(22) Filed: **Jan. 23, 2014**

(51) **LOC (10) Cl.** **07-02**

Primary Examiner — Ricky Pham

(52) **U.S. Cl.**
USPC **D7/409; D7/354**

(74) *Attorney, Agent, or Firm* — Lowe Graham Jones PLLC

(58) **Field of Classification Search**
USPC D7/323, 332, 335–337, 354–355,
D7/359–364, 387–388, 402, 407–409, 672
CPC A21B 2/00; A21B 3/00; A21B 3/13;
A21B 3/15; A21B 5/00; A21B 5/02; A23N
12/06; A23N 12/08; A23N 12/10; A45C 3/06;
A47J 27/04; A47J 36/16; A47J 37/00; A47J
37/04; A47J 37/041; A47J 37/042; A47J
37/06; A47J 37/067; A47J 37/0688; A47J
37/0694; A47J 37/07; A47J 37/0704; A47J
37/10; A47J 43/24; A47J 47/16; A47J 47/20;
A47J 2037/00; A47J 2037/06; A47J
2037/0611; A47J 2037/07; A47J 2037/0786;
A47J 2037/0795; B65D 25/32; F24C 15/10;
F24C 15/12; F24C 15/14; F24C 15/16;
F24C 15/164; F24C 15/18

See application file for complete search history.

(57) **CLAIM**

I claim the ornamental design for the canning rack, as shown and described.

DESCRIPTION

FIG. 1 is a top perspective view of the canning rack, showing my new design.

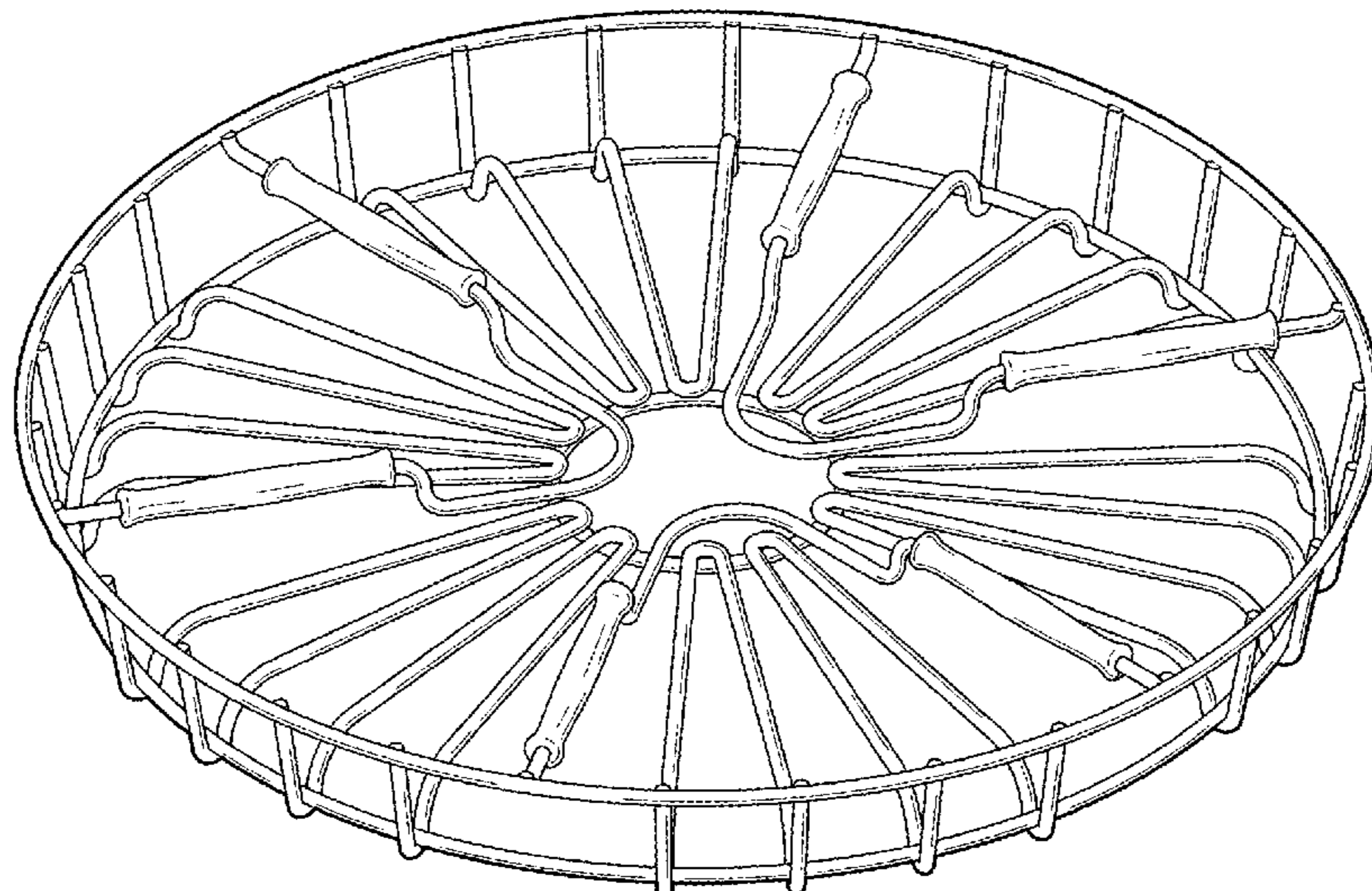
FIG. 2 is a top view of the canning rack.

FIG. 3 is a front view of the canning rack, the back view being identical.

FIG. 4 is a left side view of the canning rack, the right side view being identical; and,

FIG. 5 is a bottom view of the canning rack.

1 Claim, 4 Drawing Sheets



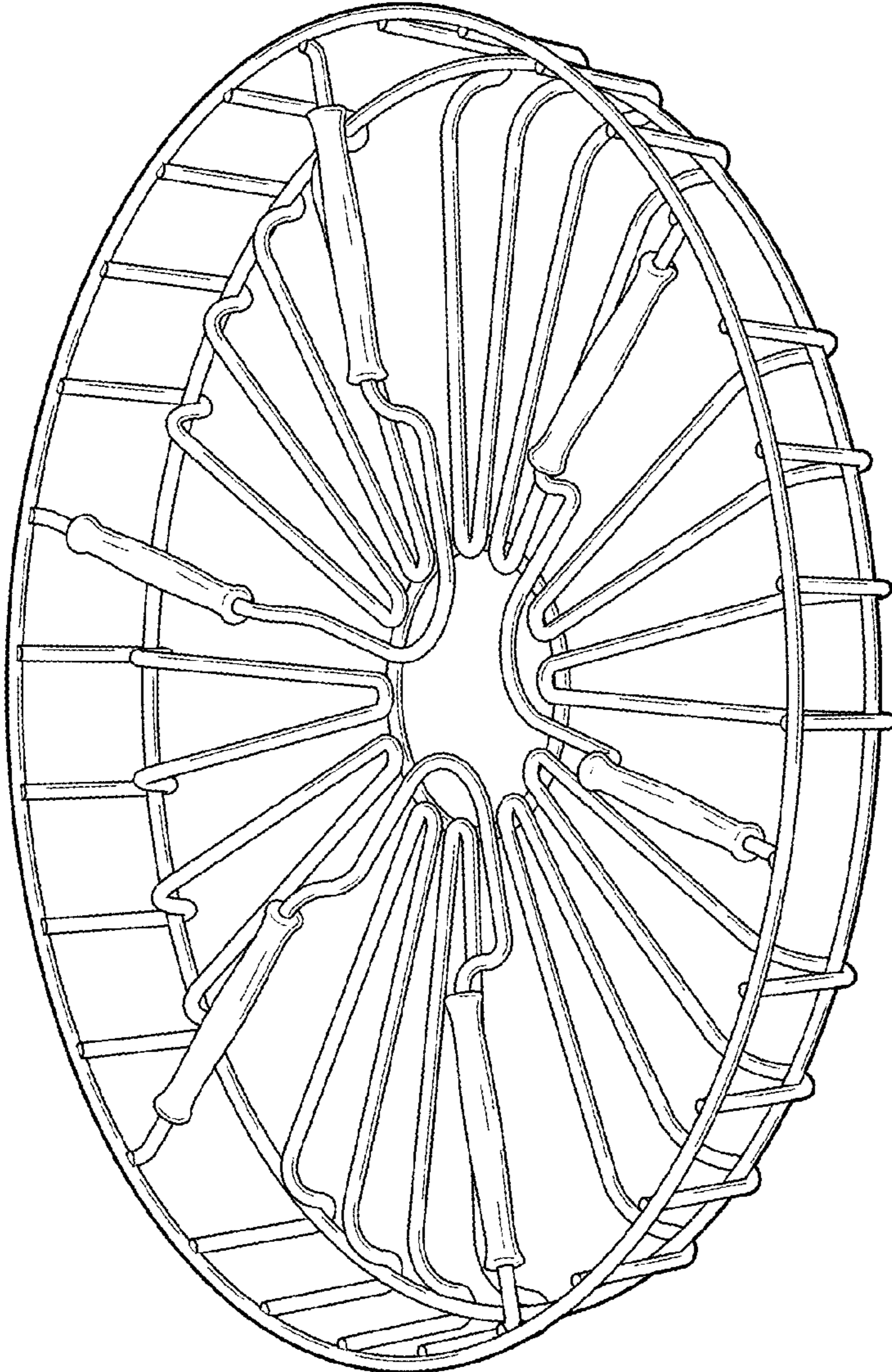


FIG.1

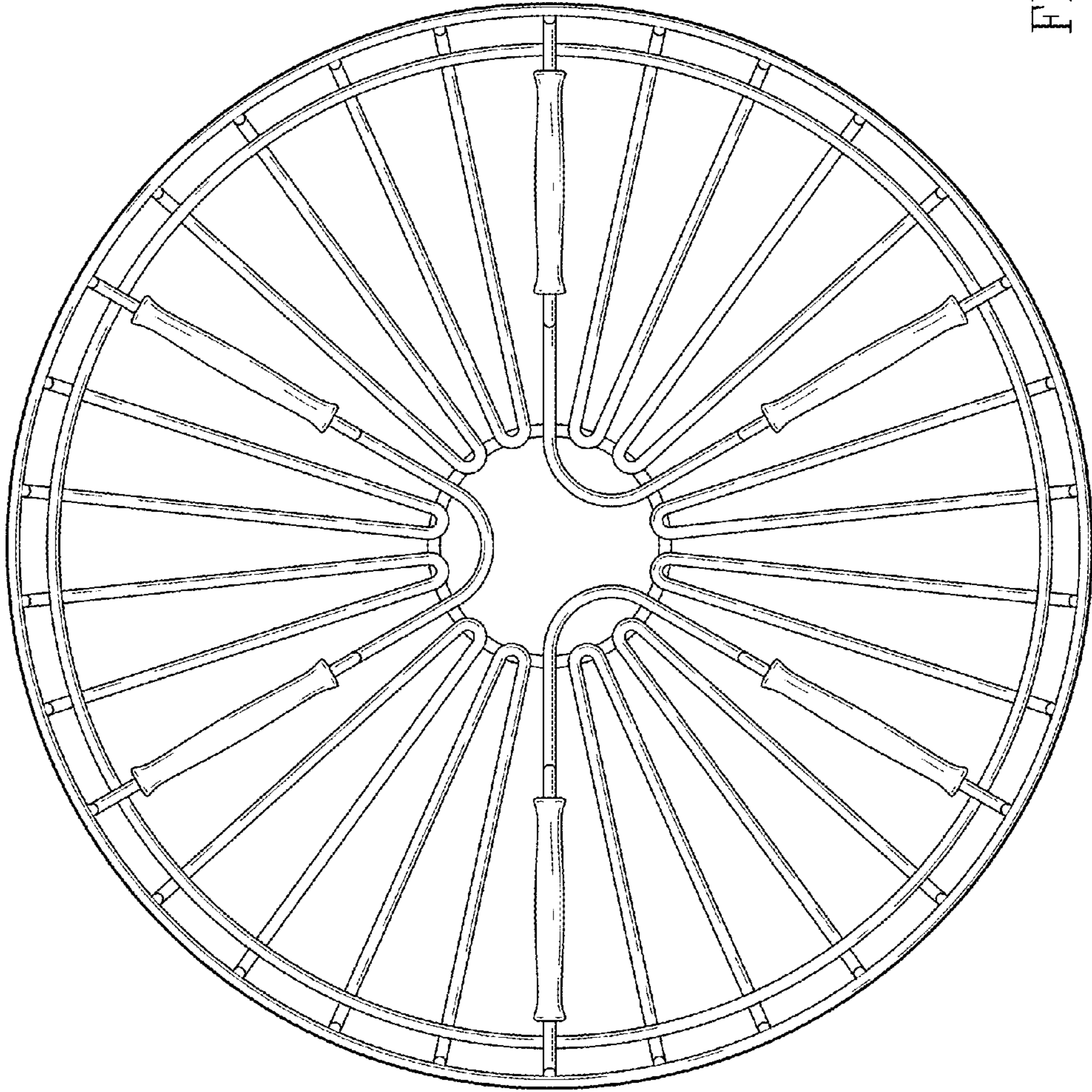


FIG. 2

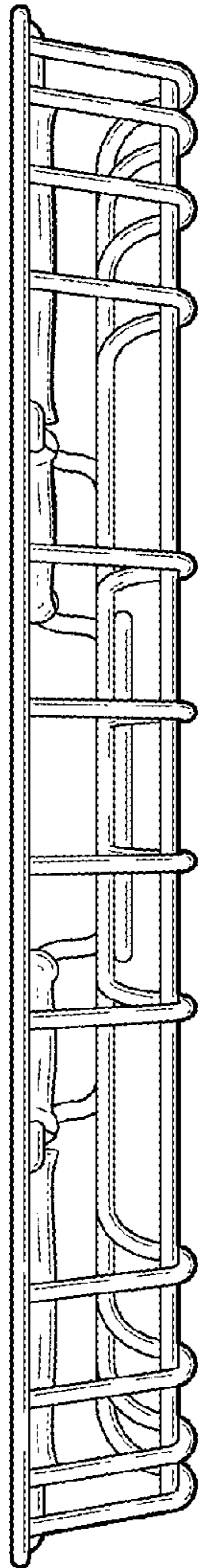


FIG. 3

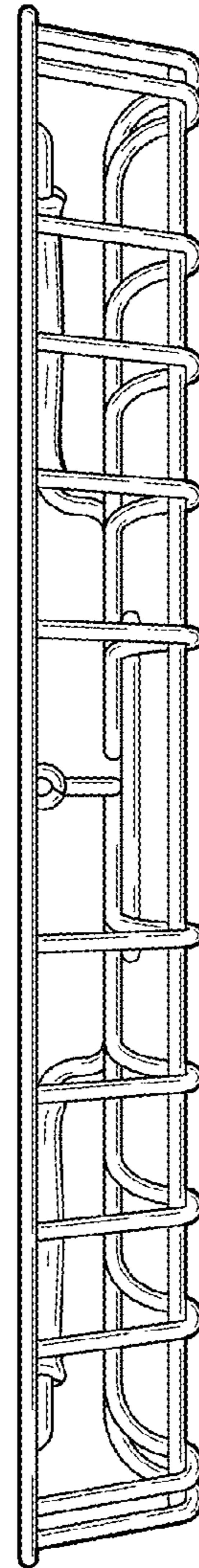


FIG. 4

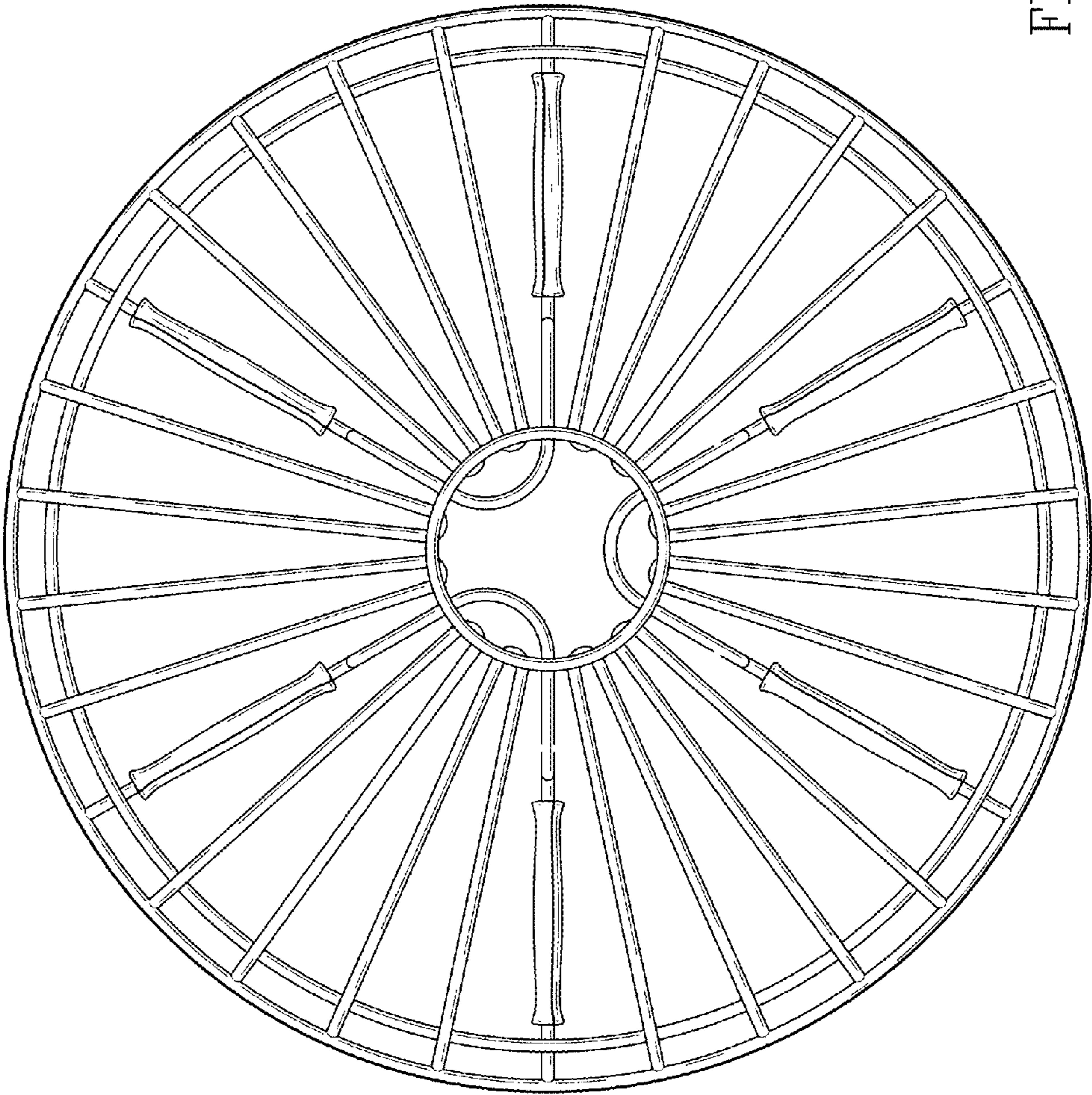


FIG. 5