



US00D734985S

(12) **United States Design Patent**  
**Furia**

(10) **Patent No.:** **US D734,985 S**

(45) **Date of Patent:** **\*\* Jul. 28, 2015**

(54) **CAPSULE FOR A BEVERAGE, IN PARTICULAR FOR COFFEE**

(71) Applicant: **NERONOBILE S.r.l.**, Milan (IT)

(72) Inventor: **Giampaolo Furia**, Thiene (IT)

(73) Assignee: **NERONOBILE S.R.L.** (IT)

(\*\*) Term: **14 Years**

(21) Appl. No.: **29/459,439**

(22) Filed: **Jun. 28, 2013**

(30) **Foreign Application Priority Data**

Dec. 28, 2012 (EM) ..... 002160473-0001

(51) **LOC (10) Cl.** ..... **07-99**

(52) **U.S. Cl.**

USPC ..... **D7/400; D7/399; D9/424; D9/425**

(58) **Field of Classification Search**

USPC ..... D7/213, 400-410, 412, 417, 354, 359, D7/387, 388, 391, 397, 399, 600.1, 600.2, D7/600.3, 600.4, 602, 603-606, 609, 610, D7/612, 614, 619.1, 629, 665, 667, 553.2, D7/555, 538, 540; D9/349, 366, 351, 529, D9/153, 453, 734, 424, 425; D5/1, 2; D11/155, 164; 99/289 R, 323, 285; 73/426, 427; D10/46.1, 46.2; 210/474; 220/781

CPC . A47J 27/21166; A47J 31/06; A47J 31/0605; A47J 31/061; A47J 31/0626; A47J 31/0684; A47J 31/08; A47J 31/10; A47G 7/00; A47G 7/04; A47G 19/2283; A47G 19/14

See application file for complete search history.

(56) **References Cited**

U.S. PATENT DOCUMENTS

D249,955 S *	10/1978	Vogelsang	.....	D23/261
D288,057 S *	2/1987	Webster	.....	D7/400
D304,301 S *	10/1989	Moss et al.	.....	D9/436
D341,992 S *	12/1993	Gasser	.....	D7/400
D448,974 S *	10/2001	Hydak et al.	.....	D7/397
D567,021 S *	4/2008	Bach et al.	.....	D7/400
D637,690 S *	5/2011	Riedel	.....	D23/209
D637,693 S *	5/2011	Riedel	.....	D23/209
2013/0224340 A1 *	8/2013	BenDavid	.....	426/112

\* cited by examiner

*Primary Examiner* — Marianne Pandozzi

*Assistant Examiner* — Jae Liang

(74) *Attorney, Agent, or Firm* — The Belles Group, P.C.

(57) **CLAIM**

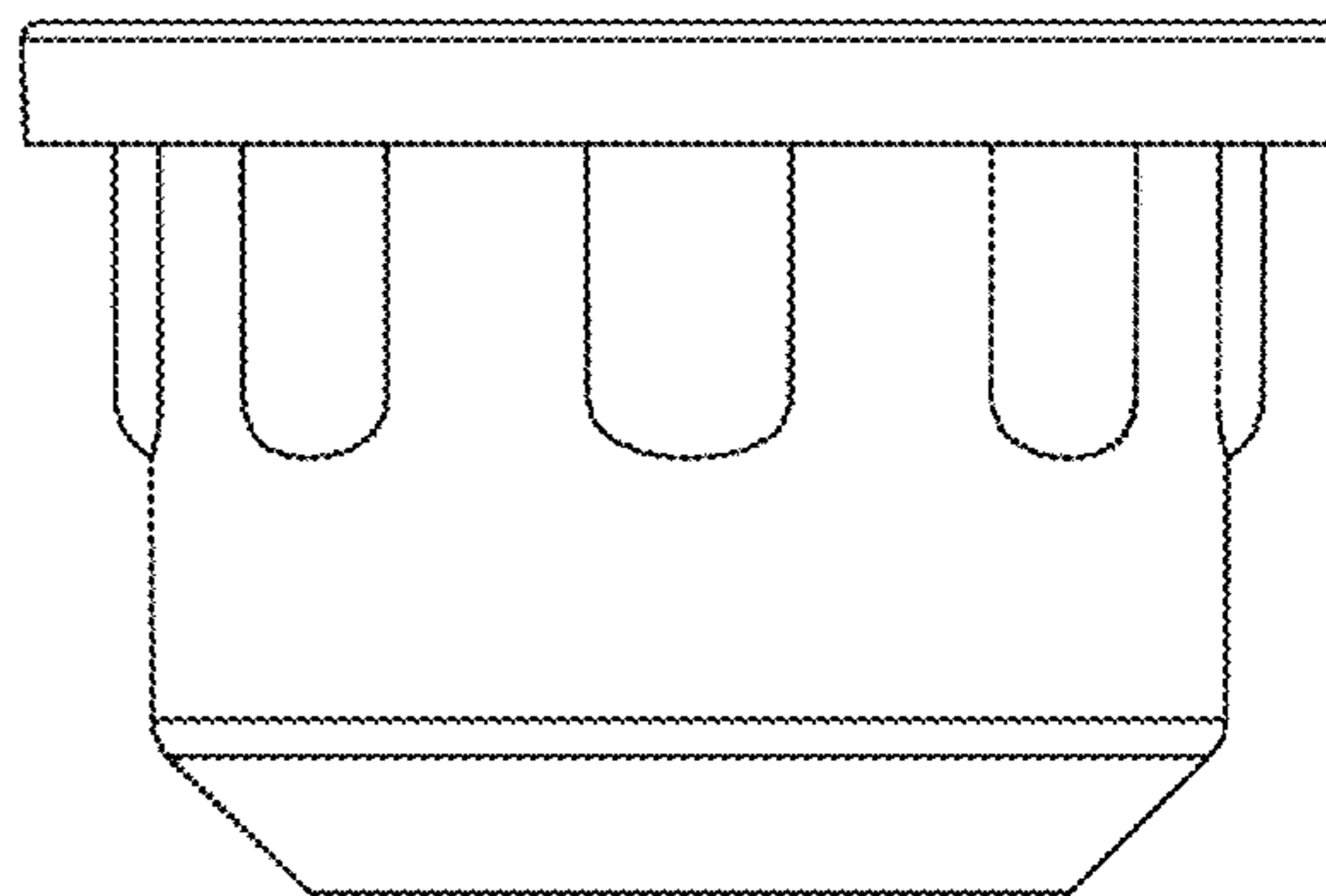
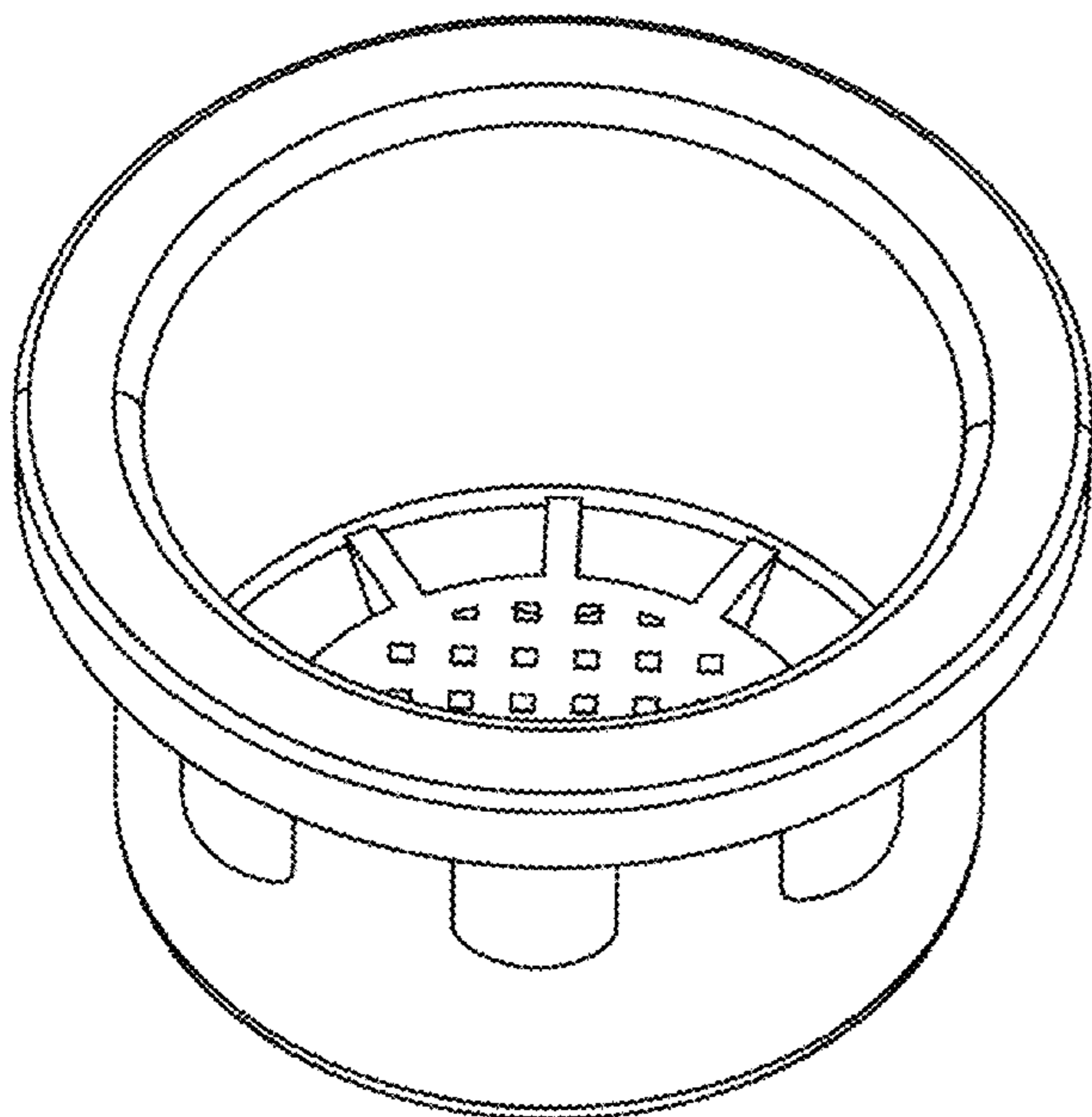
I claim the ornamental design for a capsule for a beverage, in particular for coffee, as shown and described.

**DESCRIPTION**

FIG. 1 is a top perspective view of a capsule for a beverage, in particular for coffee showing my new design;  
FIG. 2 is a front view thereof;  
FIG. 3 is a rear view thereof;  
FIG. 4 is a left-side view thereof;  
FIG. 5 is a right-side view thereof;  
FIG. 6 is a top view thereof; and,  
FIG. 7 is a bottom view thereof.

The broken line showing in the figure drawings are included for the purpose of illustration and form no part of the claimed design.

**1 Claim, 7 Drawing Sheets**



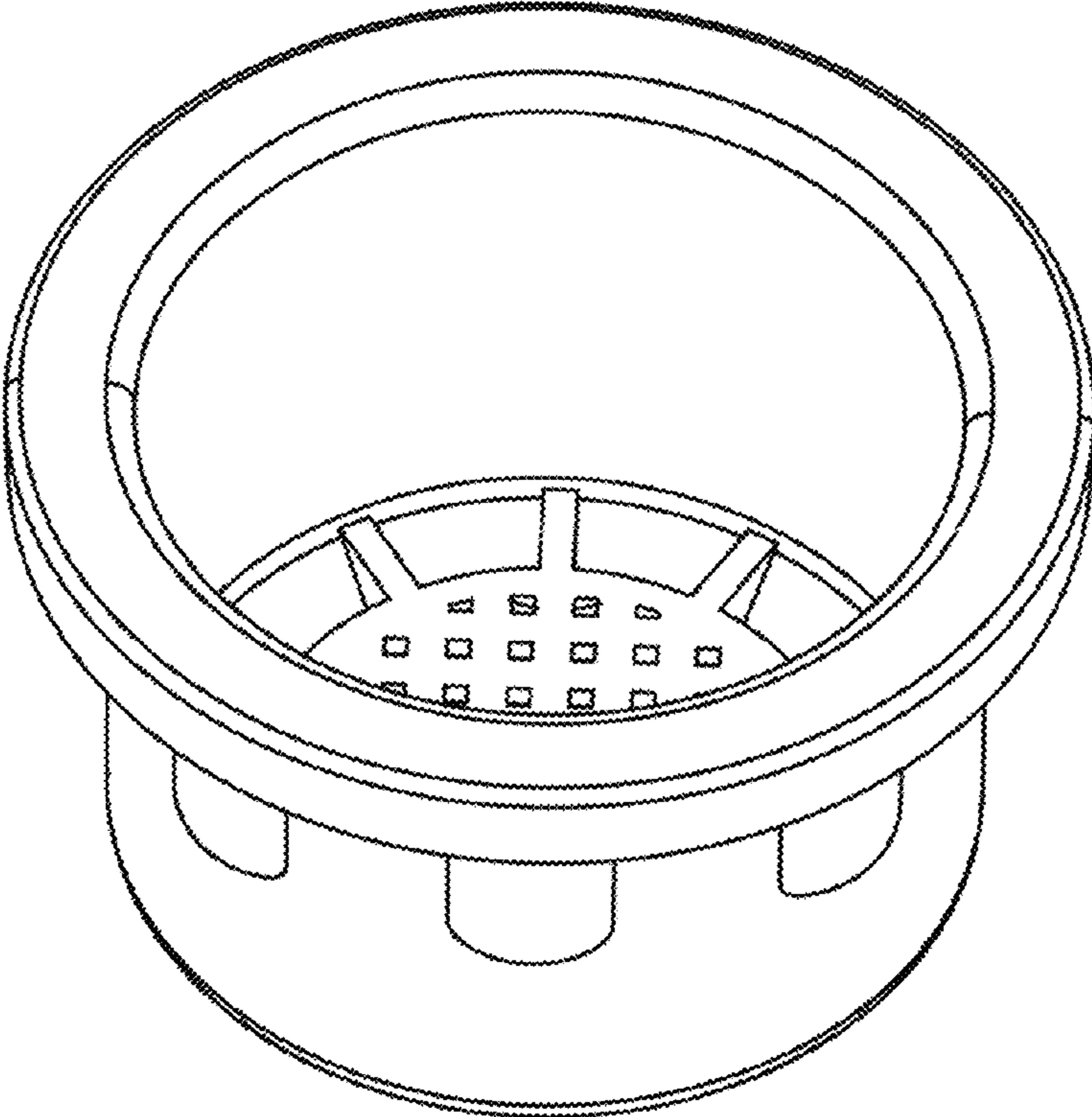


FIGURE 1

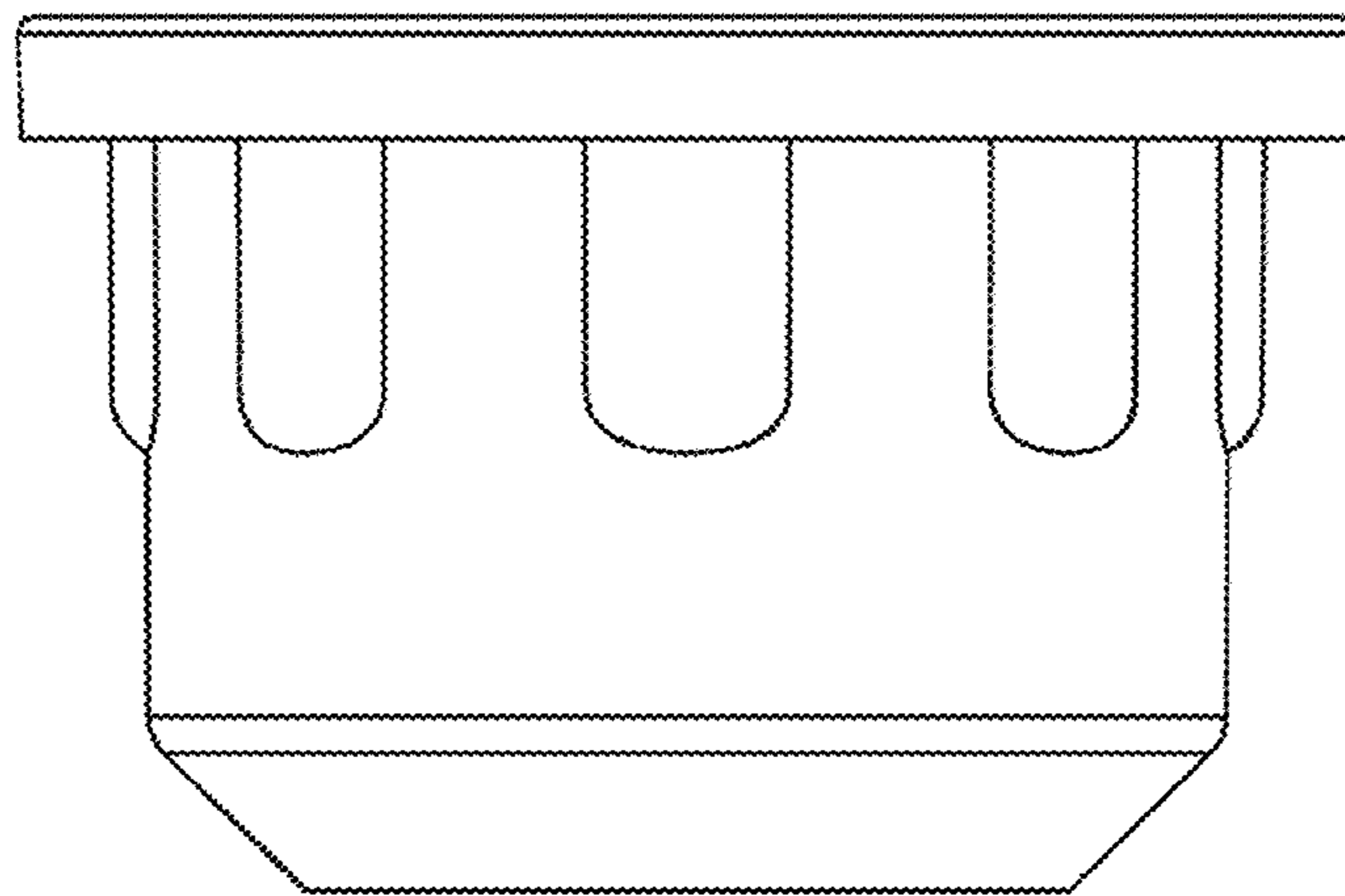


FIGURE 2

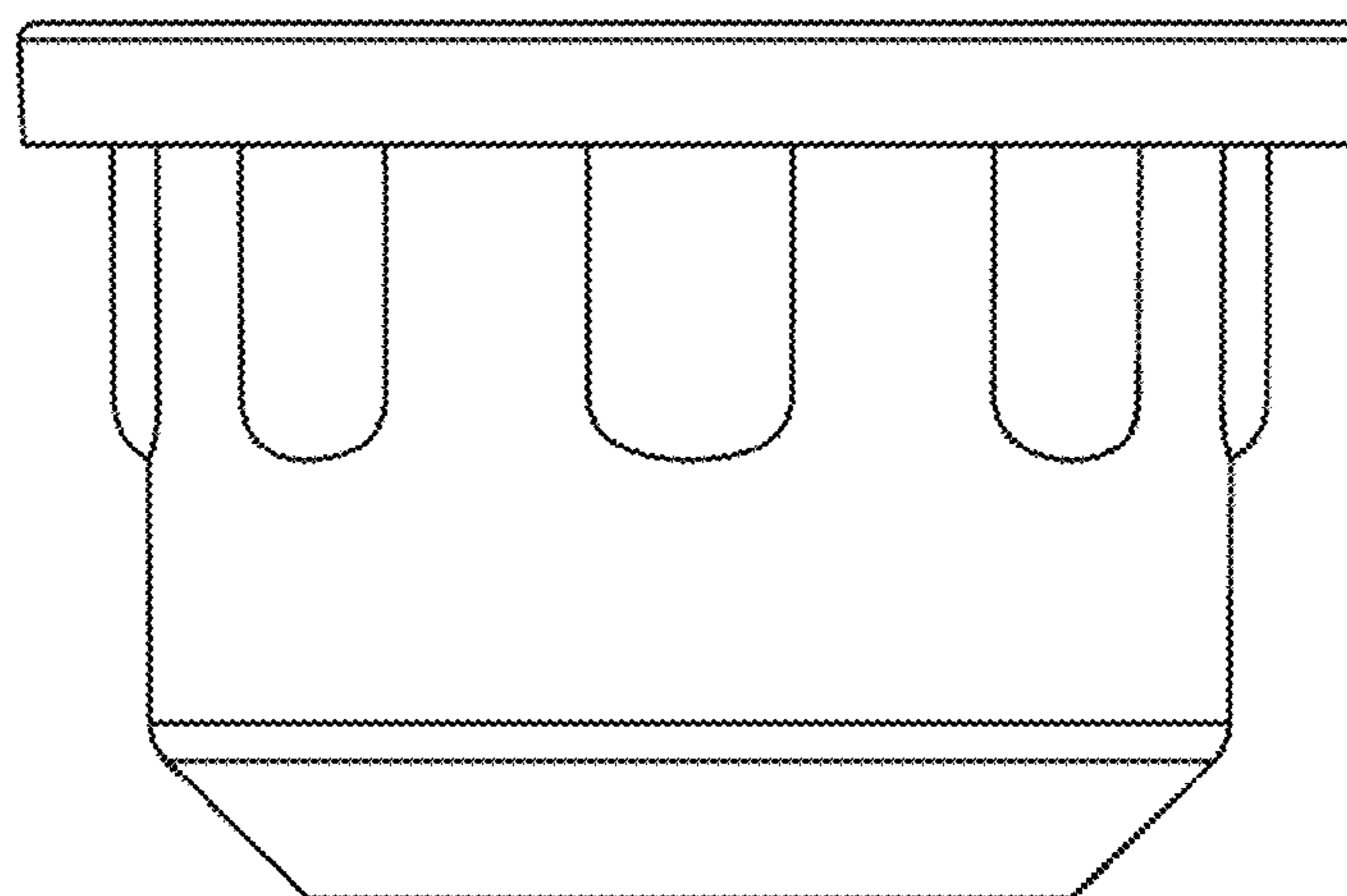


FIGURE 3

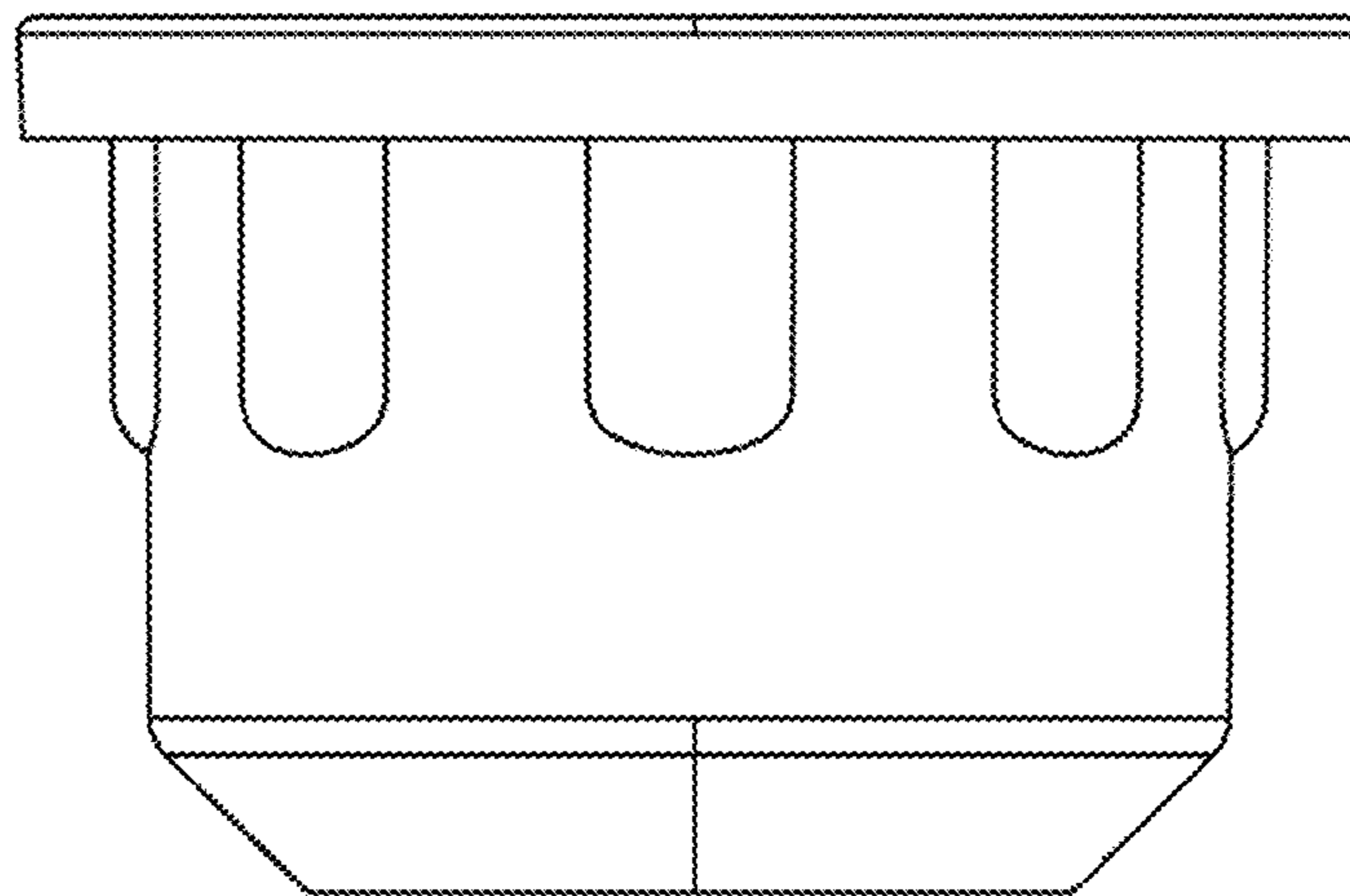


FIGURE 4

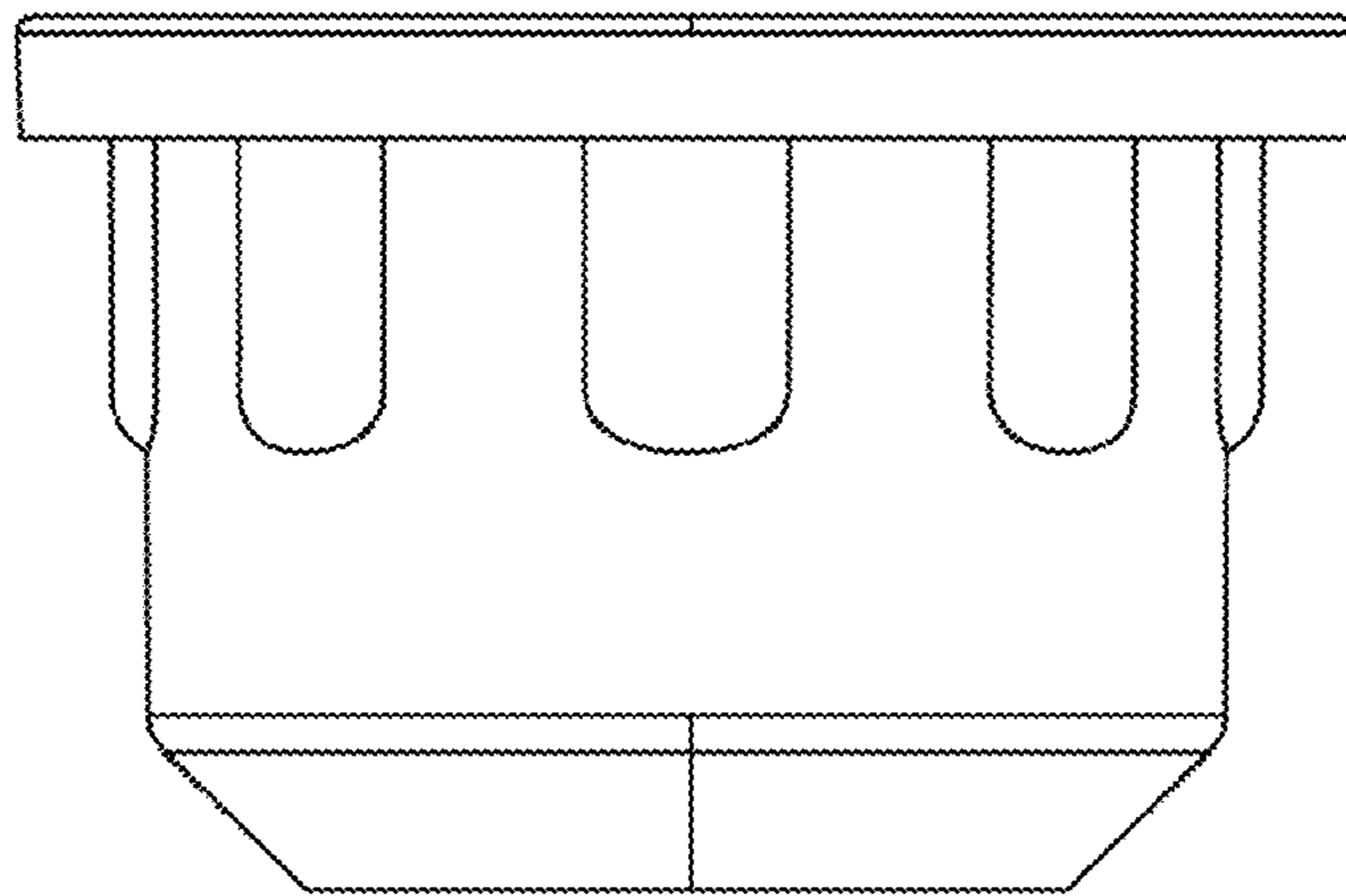


FIGURE 5

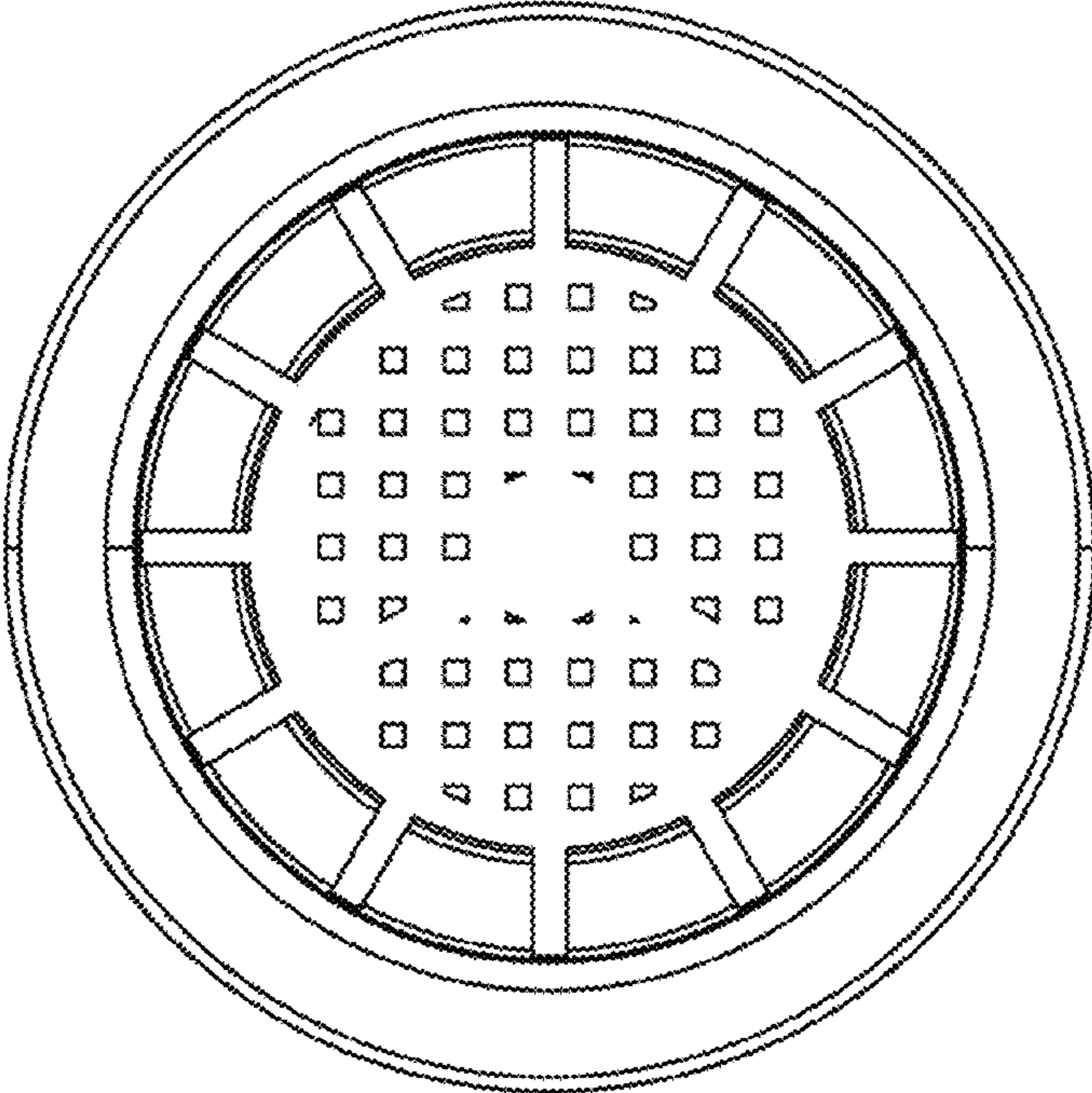


FIGURE 6

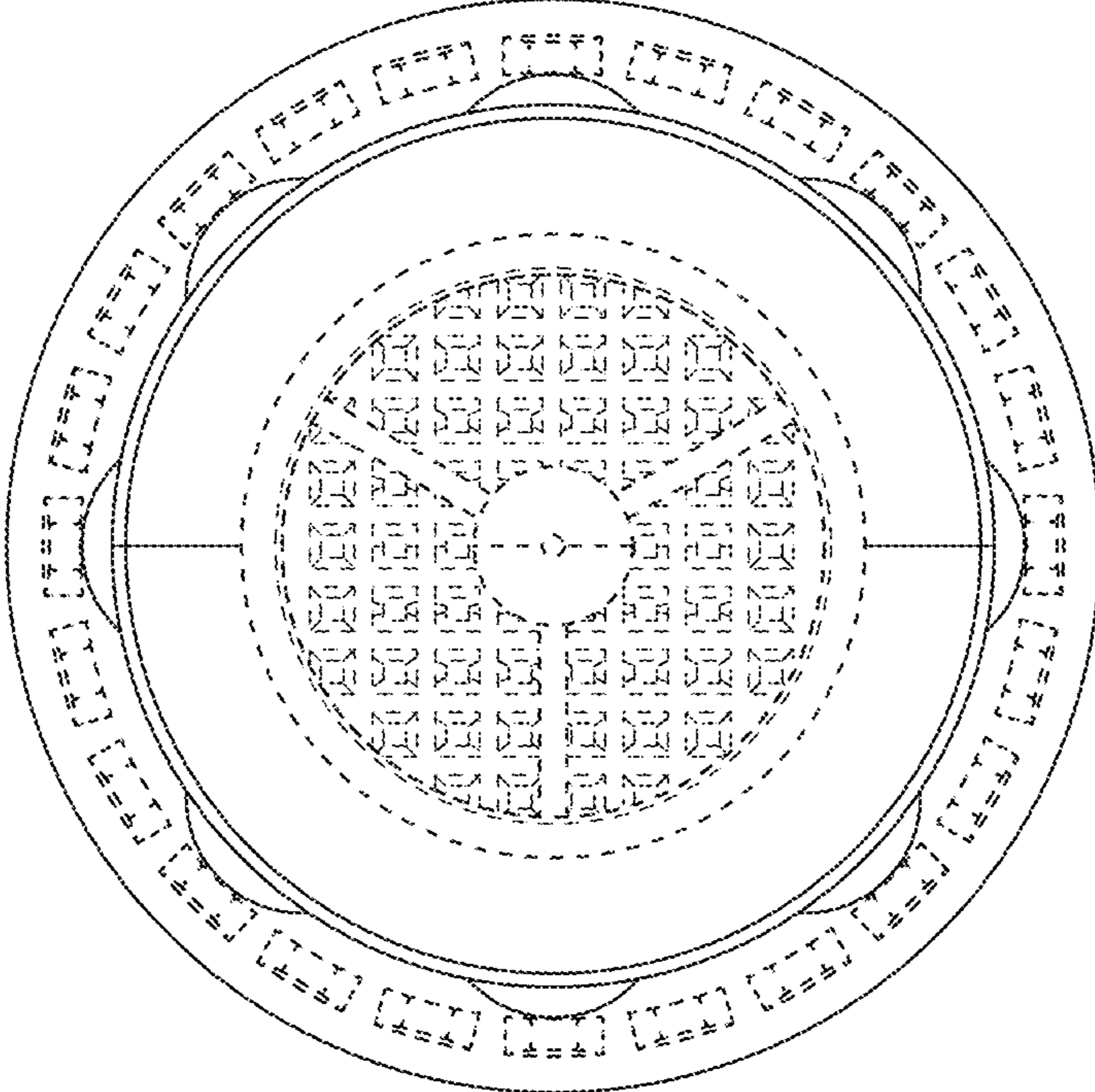


FIGURE 7