



US00D734984S

(12) **United States Design Patent**  
**Pola et al.**

(10) **Patent No.:** **US D734,984 S**  
(45) **Date of Patent:** **\*\* Jul. 28, 2015**

- (54) **HINGED APPARATUS FOR A CUP**
- (71) Applicants: **Richard Pola**, Manhattan Beach, CA  
(US); **Adrian Miranda**, Bellflower, CA  
(US)
- (72) Inventors: **Richard Pola**, Manhattan Beach, CA  
(US); **Adrian Miranda**, Bellflower, CA  
(US)

4,127,211	A *	11/1978	Zerbey	.....	D7/511
D258,484	S *	3/1981	Slepicka	.....	D7/511
5,156,283	A *	10/1992	Sampson	.....	215/398
D359,129	S *	6/1995	Sampson	.....	D25/10
D649,831	S *	12/2011	Romandy	.....	D7/393
D695,069	S *	12/2013	Lane	.....	D7/510
D707,099	S *	6/2014	Nicholson	.....	D8/323
D720,573	S *	1/2015	Pola et al.	.....	D7/396.2
2004/0079720	A1 *	4/2004	Croskrey	.....	215/235

\* cited by examiner

(\*\*) Term: **14 Years**

*Primary Examiner* — Susan Bennett Hattan

(21) Appl. No.: **29/471,124**

*Assistant Examiner* — Brett Miller

(22) Filed: **Oct. 28, 2013**

(74) *Attorney, Agent, or Firm* — Law Office of David Hong

(51) **LOC (10) Cl.** ..... **07-01**

(57) **CLAIM**

The ornamental design for a hinged apparatus for a cup, as shown and described.

(52) **U.S. Cl.**

**DESCRIPTION**

USPC ..... **D7/396.2**

(58) **Field of Classification Search**

USPC ..... D8/18–19, 44, 300, 303, 305, 315, 320,  
D8/321, 323; D7/396.2, 388, 510, 511,  
D7/392.1, 393, 622; 220/712, 912,  
220/845–846, 848

CPC ..... E05D 2003/025

See application file for complete search history.

FIG. 1 is a perspective view of my new design for a hinged apparatus for a cup;  
FIG. 2 is a first side elevational view thereof;  
FIG. 3 is a second side elevational view thereof.  
FIG. 4 is a third side elevational view thereof;  
FIG. 5 is a fourth side elevational view thereof;  
FIG. 6 is a top view thereof; and,  
FIG. 7 is a bottom view thereof.

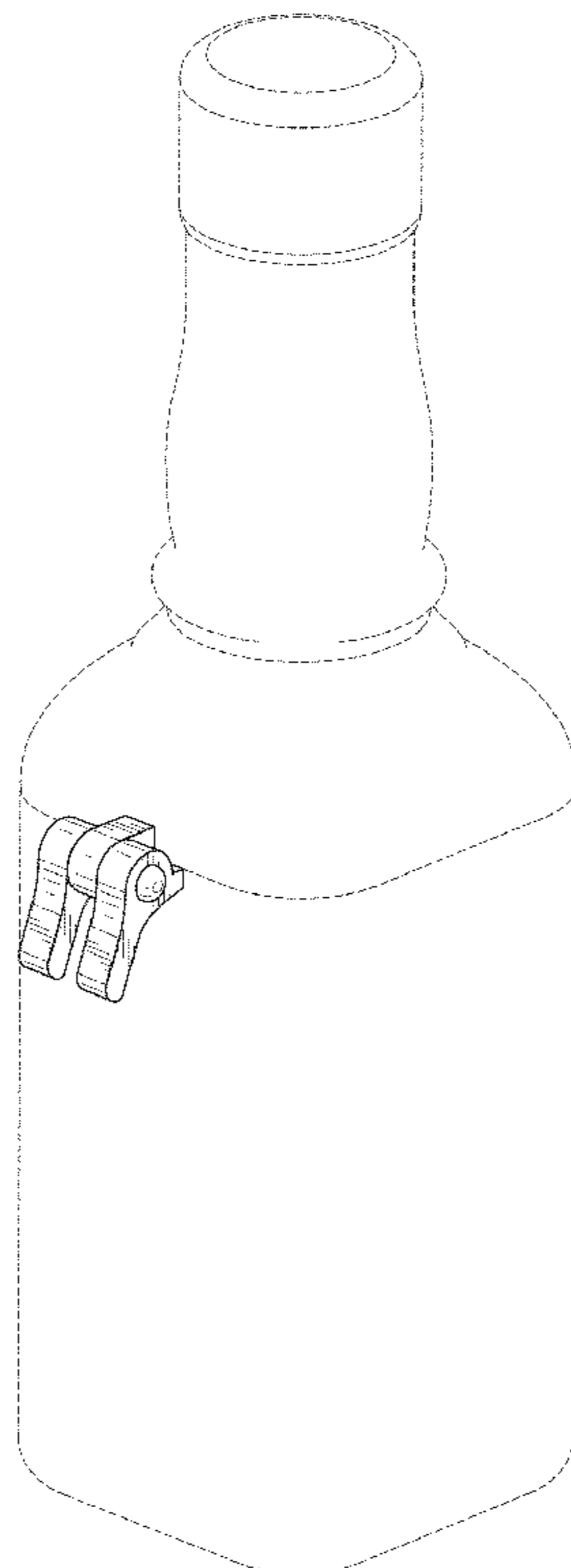
The broken lines shown in the drawing views are included for the purpose of showing environmental structure that forms no part of the claimed design.

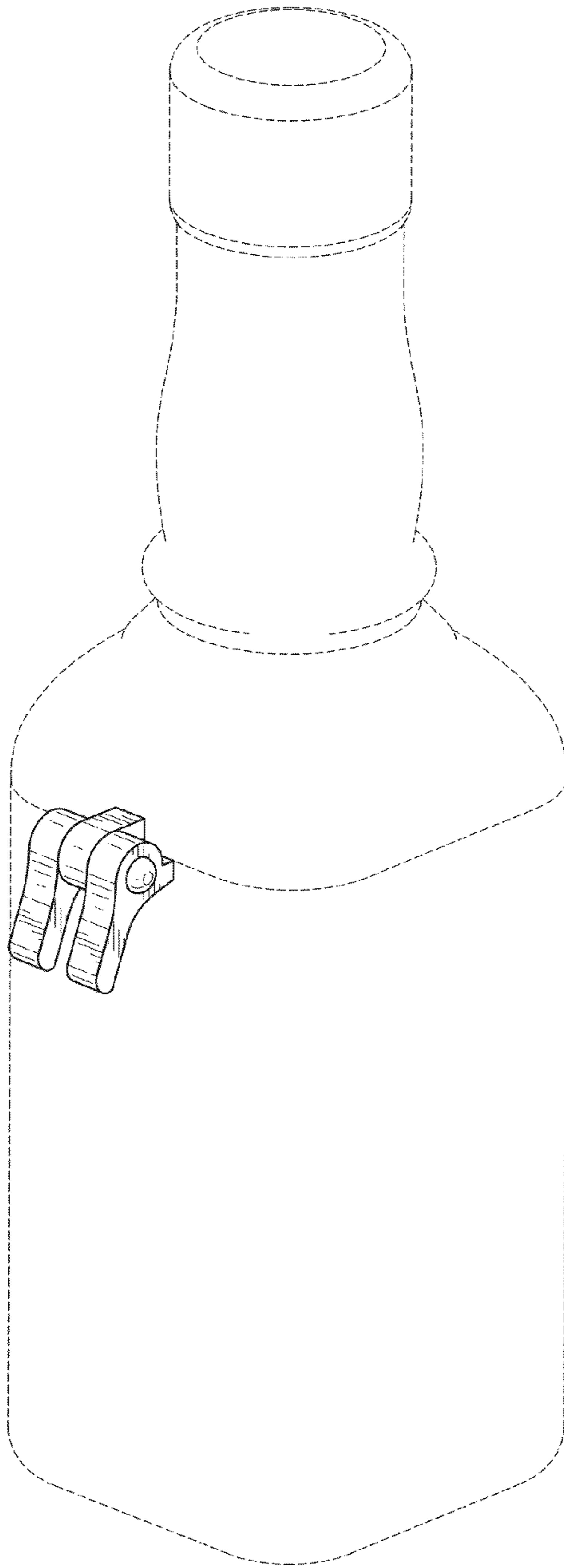
(56) **References Cited**

**U.S. PATENT DOCUMENTS**

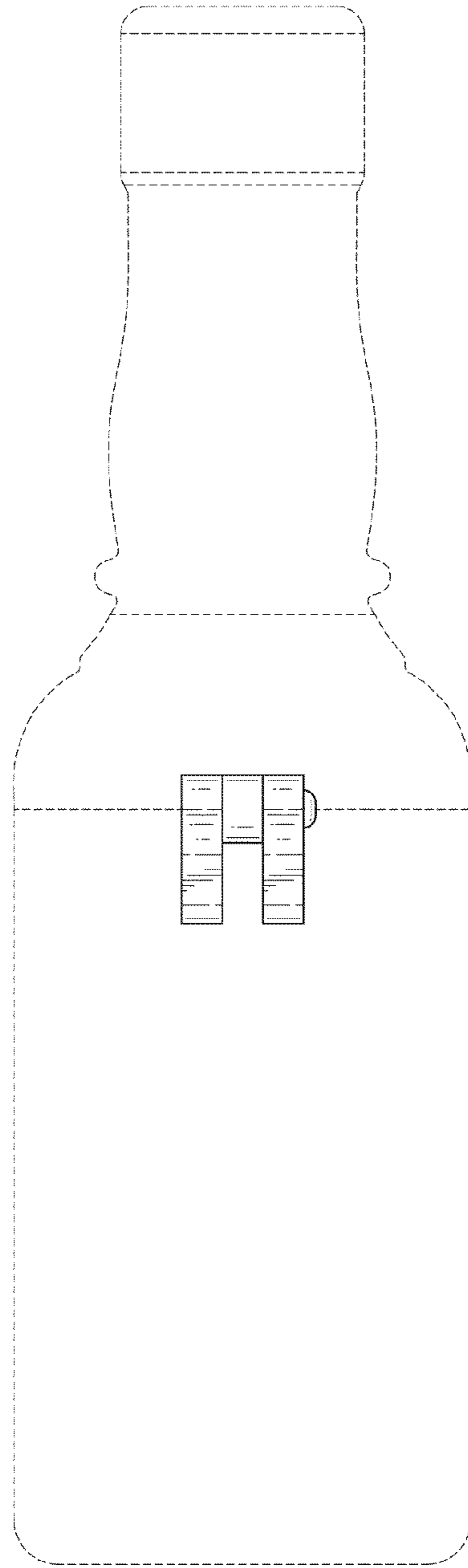
62,925	A *	3/1867	Blake	.....	220/848
210,042	A *	11/1878	Laughlin	.....	220/845
3,719,305	A *	3/1973	Pressnell	.....	215/396

**1 Claim, 3 Drawing Sheets**

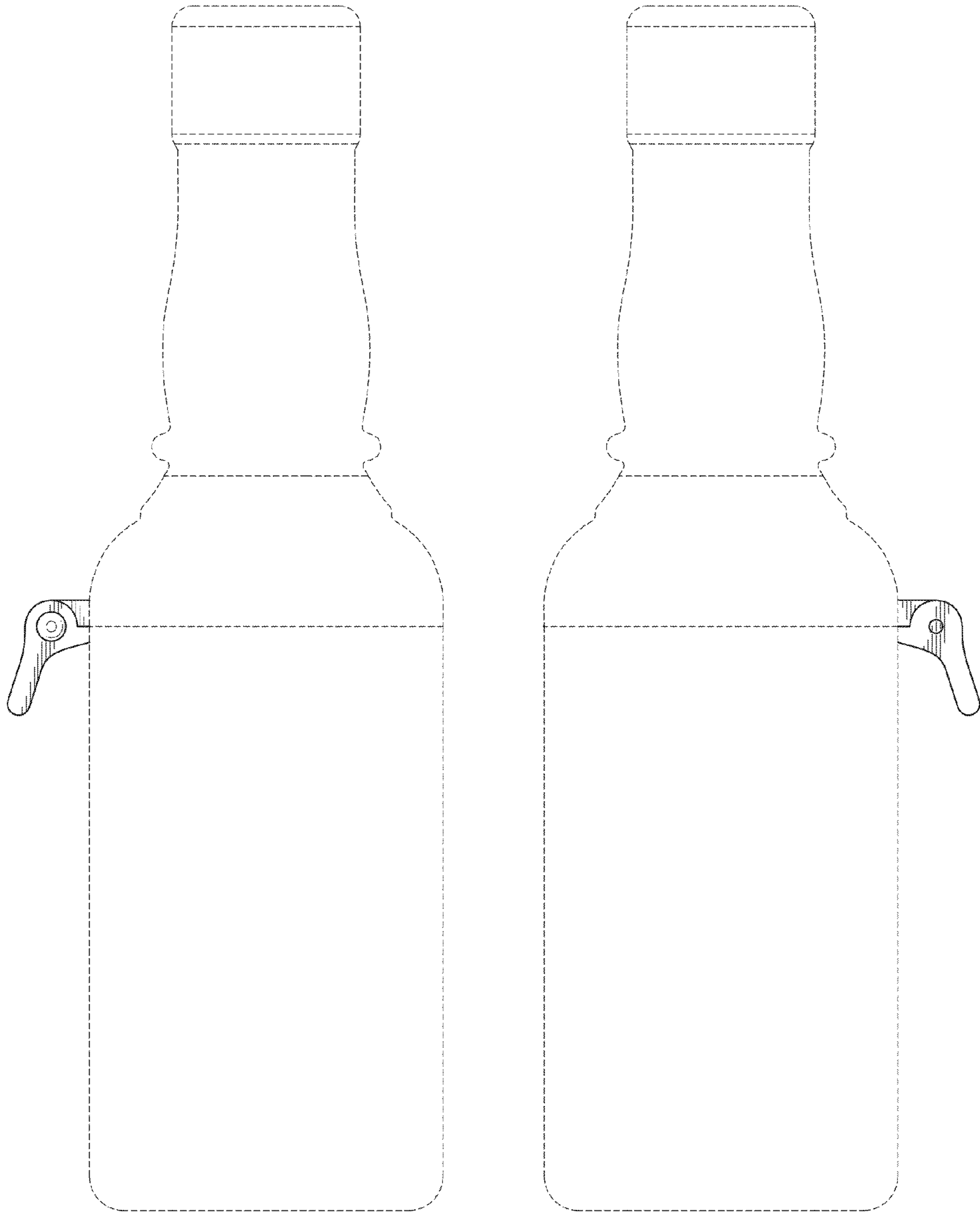




*FIG. 1*

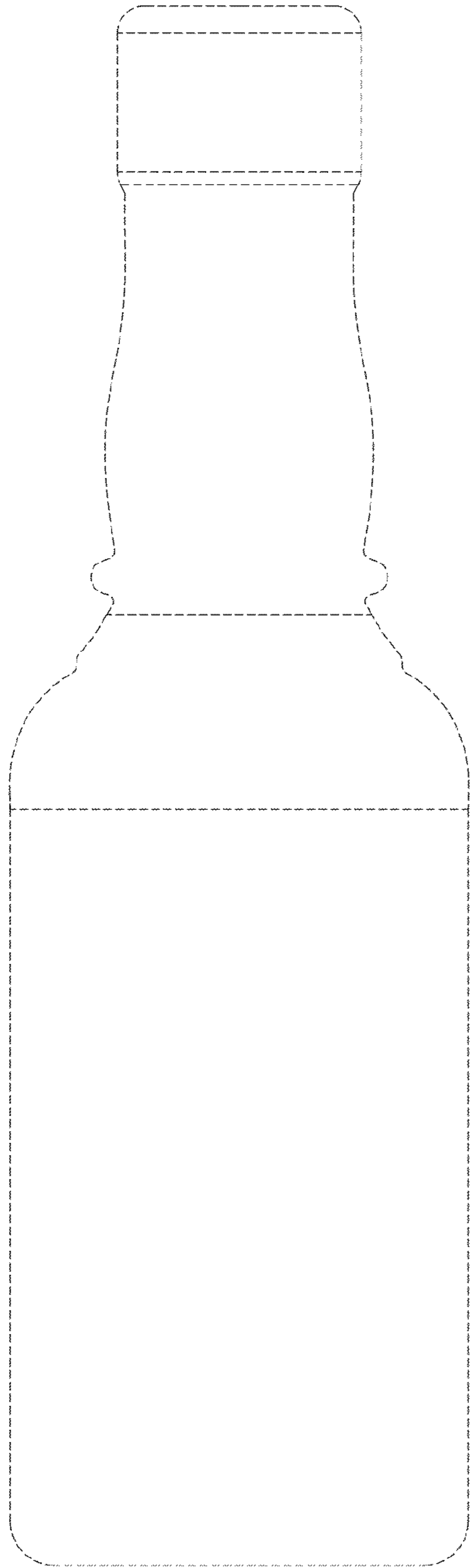


*FIG. 2*

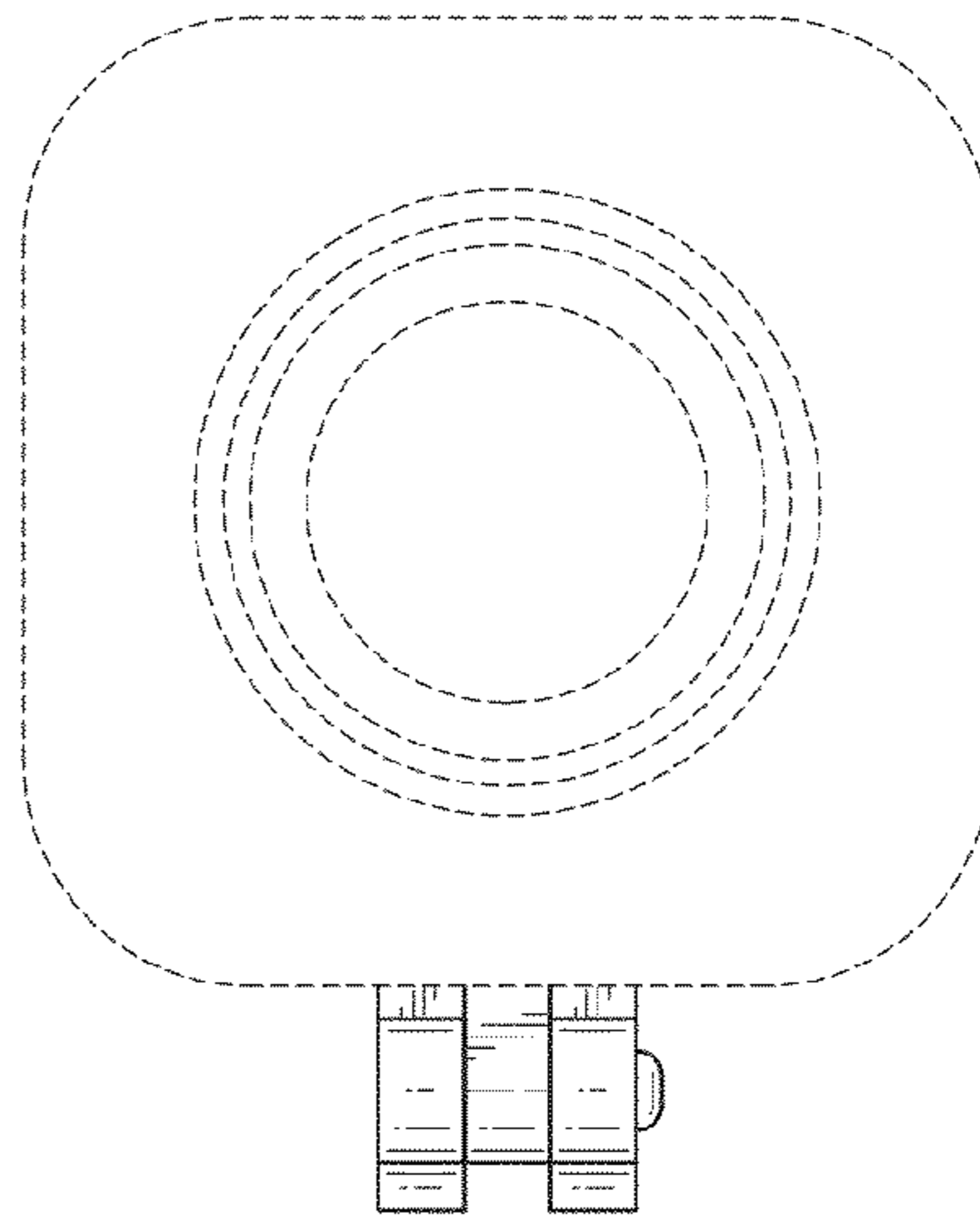


*FIG. 3*

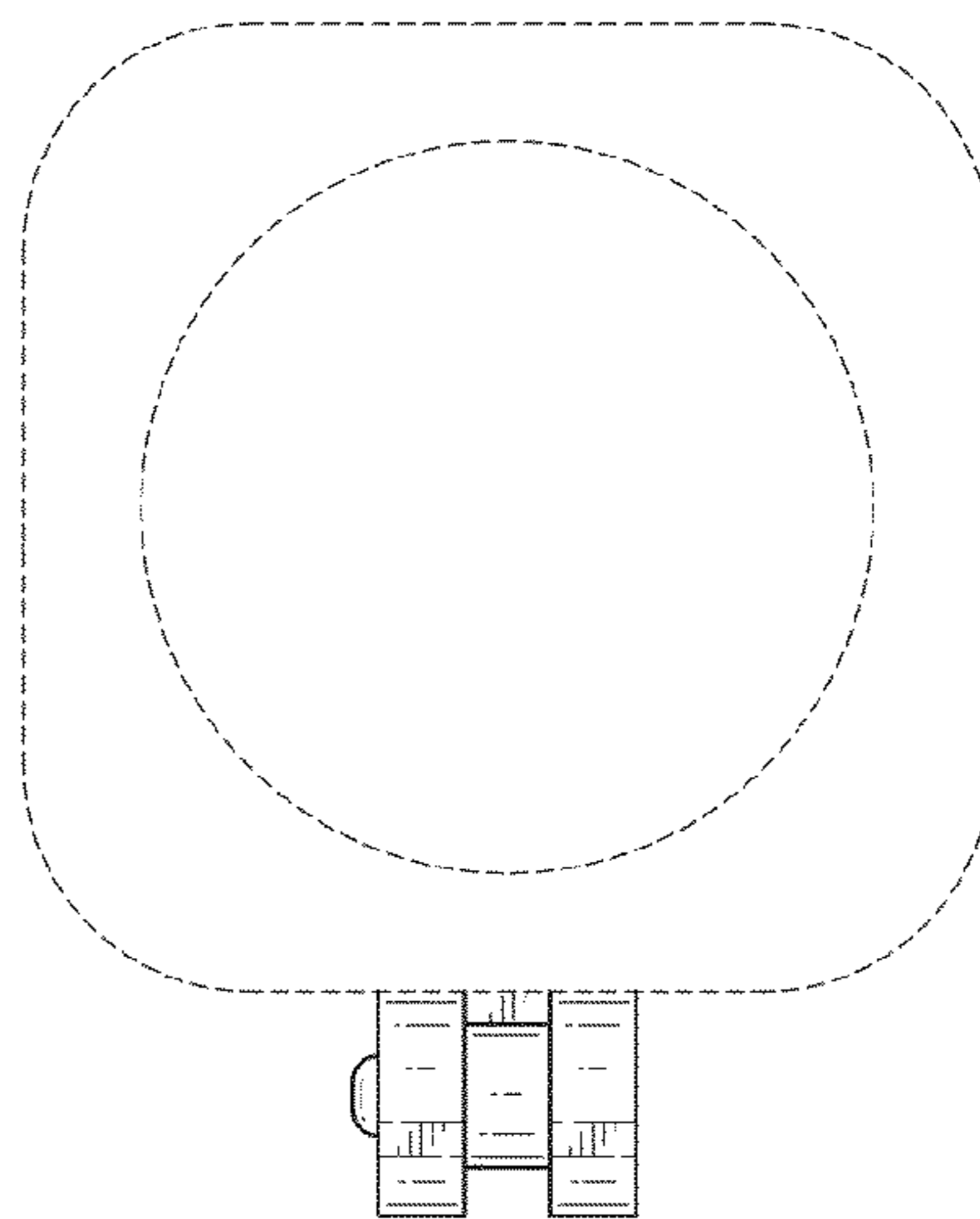
*FIG. 4*



*FIG. 5*



*FIG. 6*



*FIG. 7*