



US00D734982S

(12) **United States Design Patent**
Sampognaro et al.

(10) **Patent No.:** **US D734,982 S**
(45) **Date of Patent:** **** Jul. 28, 2015**

(54) **COOKING POT HANDLE**

(71) Applicants: **Mary Margaret Sampognaro**, Monroe, LA (US); **Nicholas Matheson Booth**, Marietta, GA (US)

(72) Inventors: **Mary Margaret Sampognaro**, Monroe, LA (US); **Nicholas Matheson Booth**, Marietta, GA (US)

(**) Term: **14 Years**

(21) Appl. No.: **29/493,612**

(22) Filed: **Jun. 11, 2014**

(51) **LOC (10) Cl.** **07-02**

(52) **U.S. Cl.**
USPC **D7/395**

(58) **Field of Classification Search**

USPC D7/354–358, 359–361, 391, 393, 402, D7/405, 406, 682; D8/107, 300, 307; 16/110 R, 114 R, 118, 121, 309, 311, 16/312, 315, 320, 430, 431, 441; 74/548, 74/553, 558.5; 200/18, 61.8, 336–338, 200/564–570; 220/573.1–573.5, 752, 753, 220/755, 759, 912
CPC A47J 45/06; A47J 45/061; A47J 45/62; A47J 45/08; A47J 45/085; B65D 25/2802; B65D 25/2882; B65D 25/2885; B65D 25/2888; B65D 25/2894; Y10S 220/912
See application file for complete search history.

(56) **References Cited**

U.S. PATENT DOCUMENTS

D188,910	S	*	9/1960	Russell	D7/395
D191,971	S	*	12/1961	Ernest et al.	D7/395
D203,128	S	*	12/1965	Hvale et al.	D7/395
D212,378	S	*	10/1968	Dudas et al.	D7/395
D348,799	S	*	7/1994	Munari	D7/395
D478,470	S	*	8/2003	Van De Venter, Jr.	D7/395
D663,578	S	*	7/2012	Tuli	D7/395
D717,591	S	*	11/2014	Bond	D7/398
D717,593	S	*	11/2014	Bond	D7/398

* cited by examiner

Primary Examiner — Cynthia M Chin

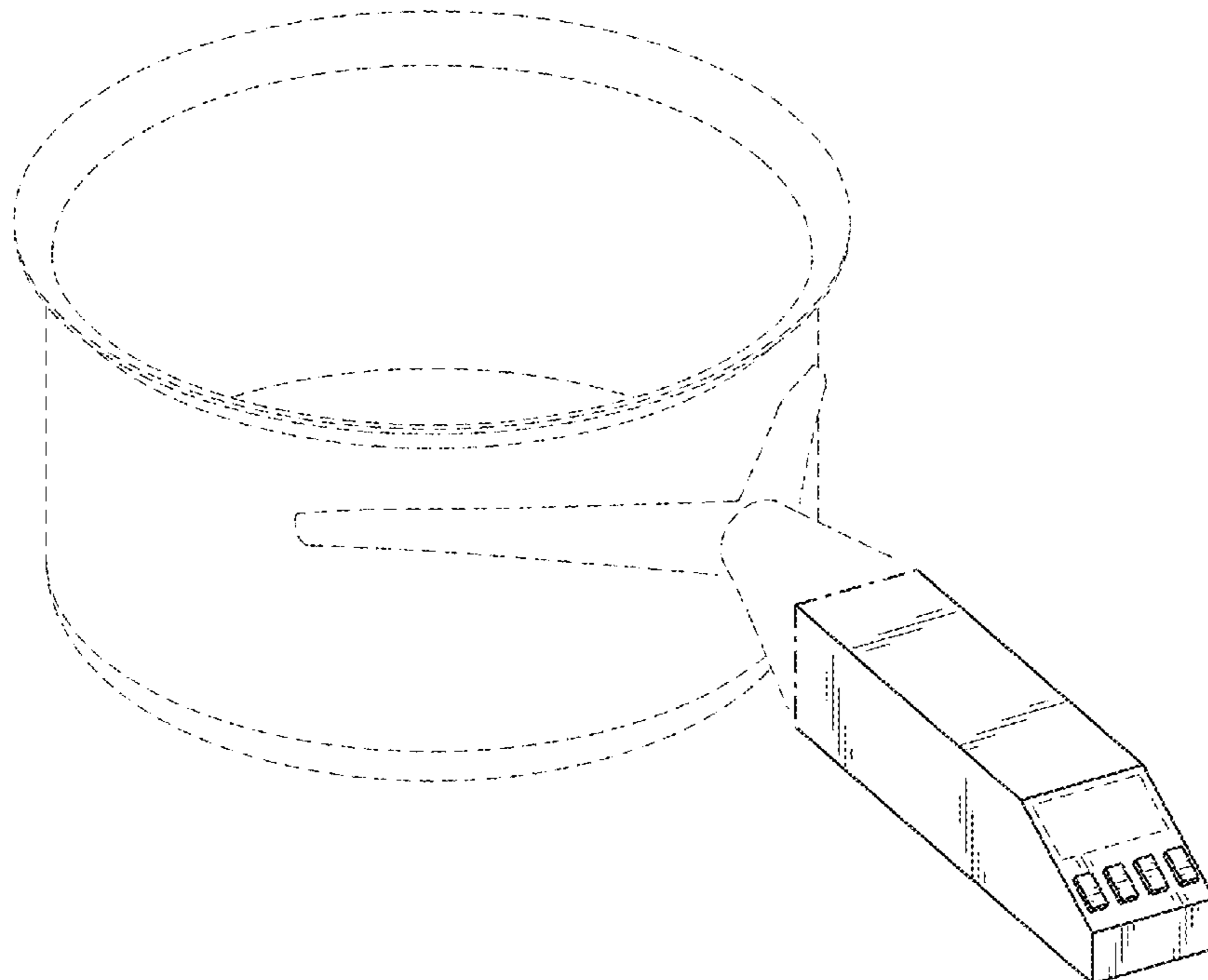
(57) **CLAIM**

The ornamental design for a cooking pot handle, as shown and described.

DESCRIPTION

FIG. 1 is a perspective front view of a cooking pot handle; FIG. 2 is a front elevation view of the cooking pot handle; FIG. 3 is a rear elevation view of the cooking pot handle; FIG. 4 is a left side elevation view of the cooking pot handle; the right side view being a mirror image thereof; FIG. 5 is a top plan view of the cooking pot handle; and, FIG. 6 is a bottom plan view of the cooking pot handle. The cooking pot and connection to the cooking pot handle are shown in broken lines for illustrative purposes only and form no part of the claimed design.

1 Claim, 5 Drawing Sheets



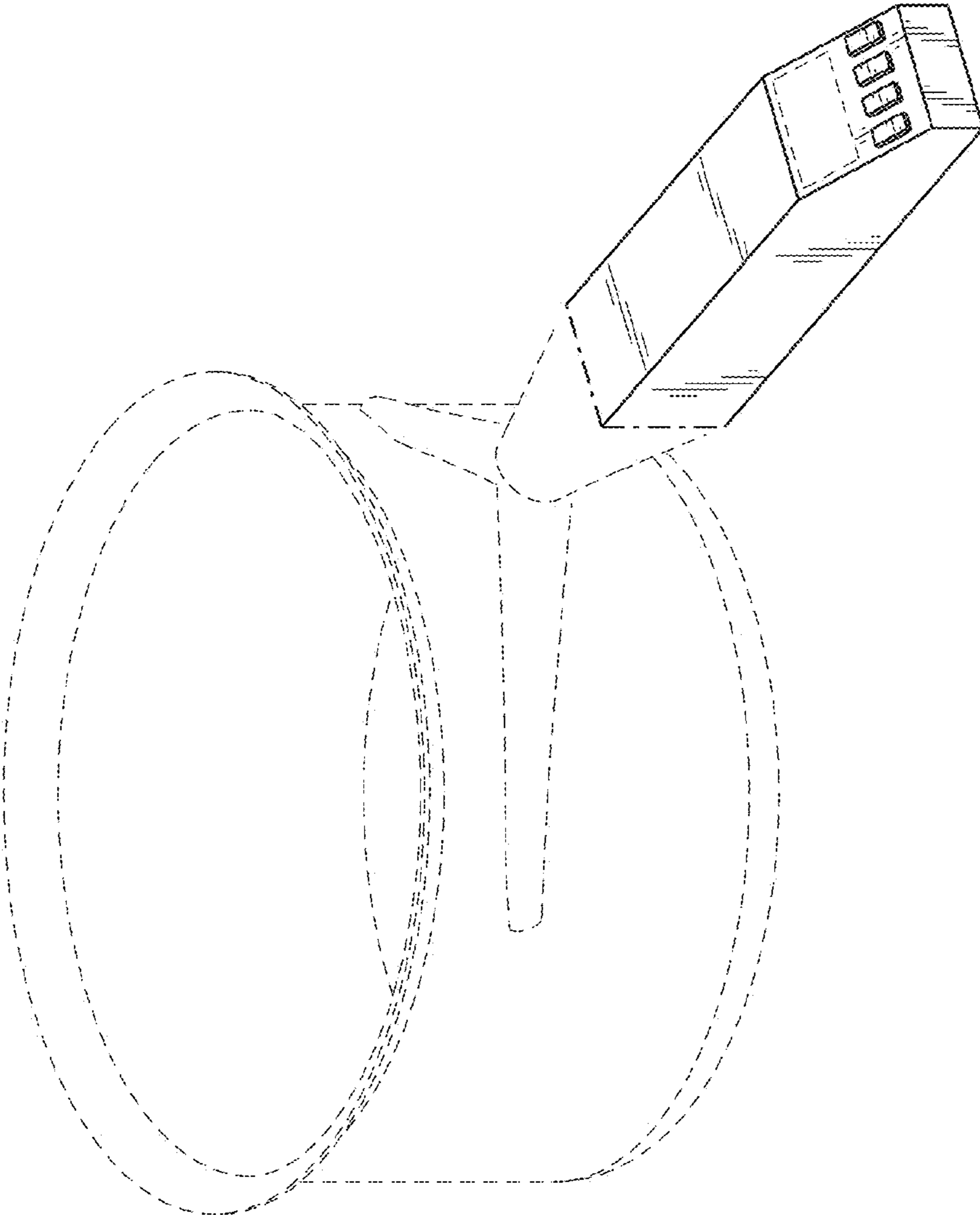


FIG. 1

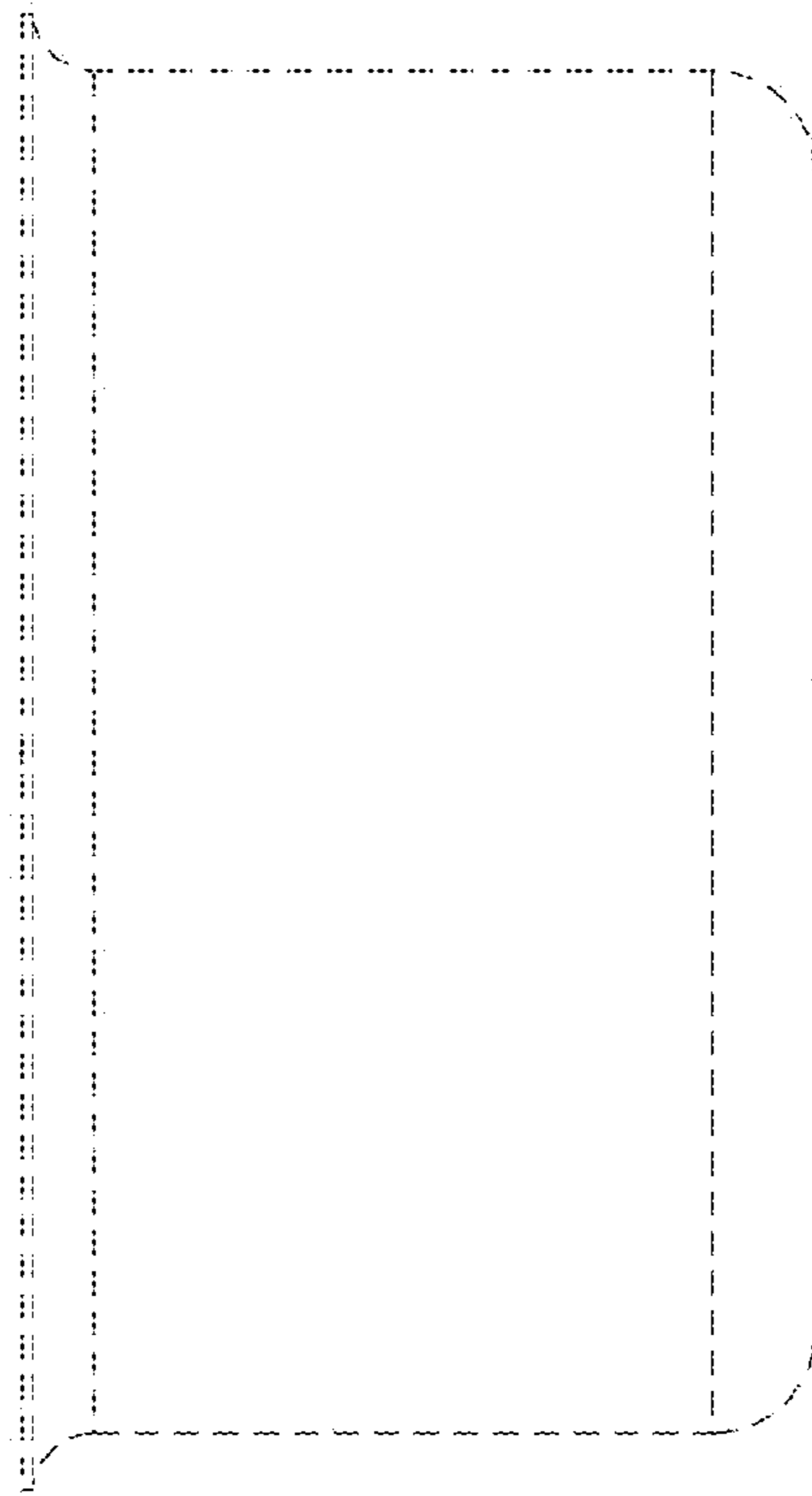


FIG. 3

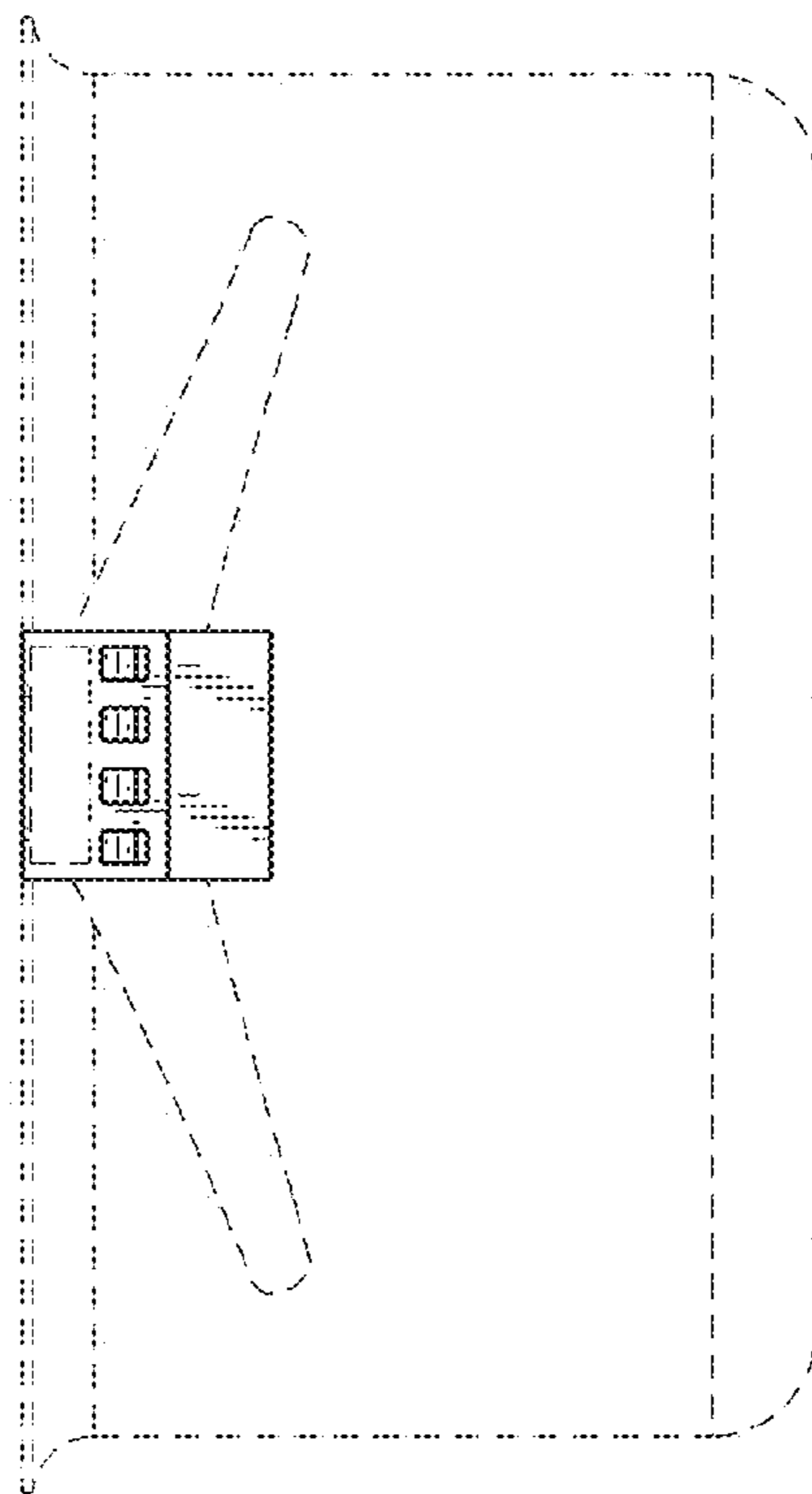


FIG. 2

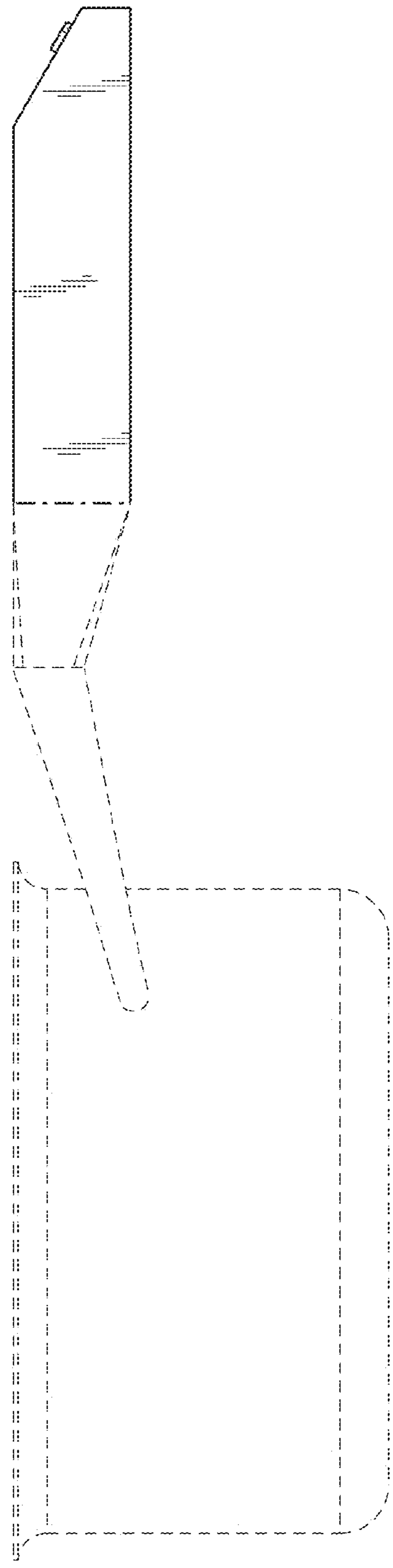


FIG. 4

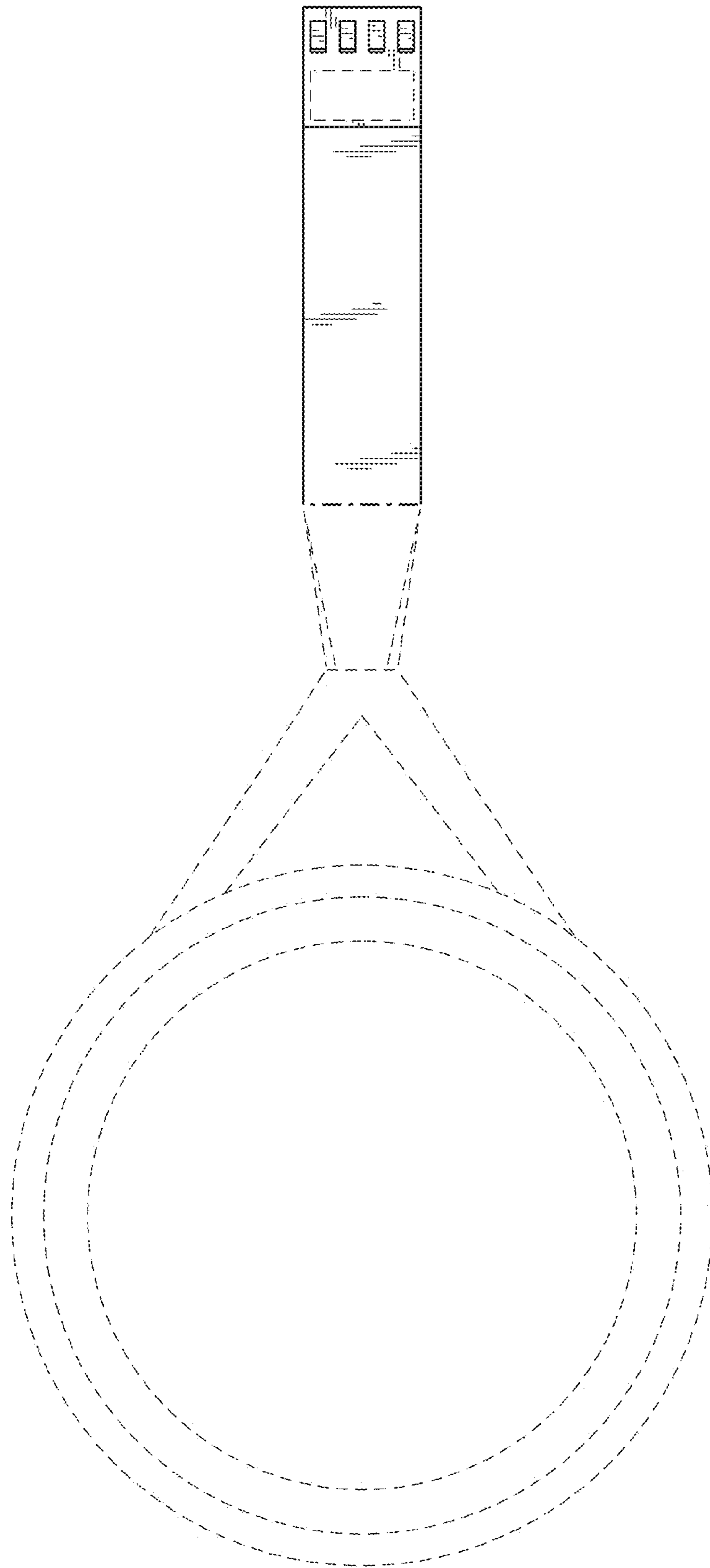


FIG. 5

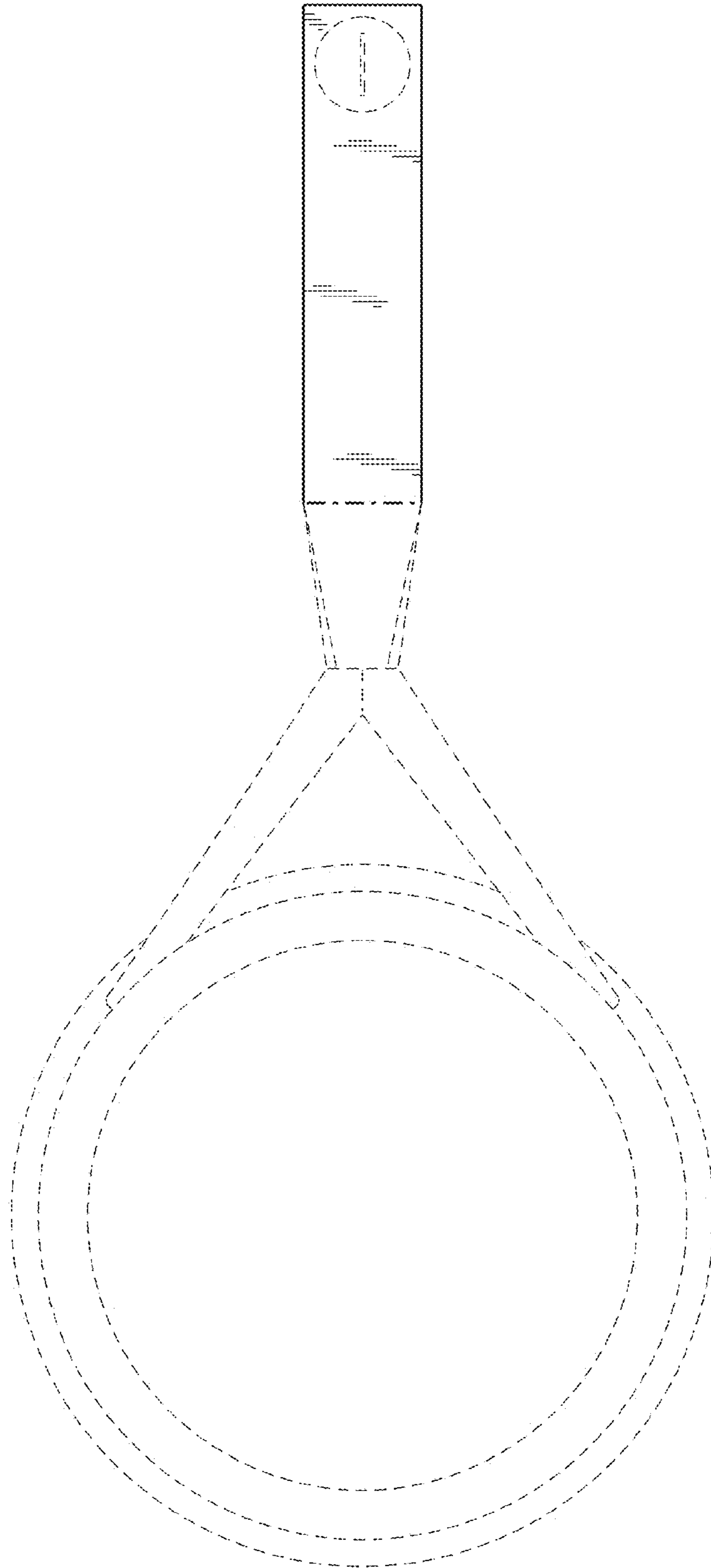


FIG. 6