

US00D734981S

(12) **United States Design Patent**
Thun et al.

(10) **Patent No.:** **US D734,981 S**
(45) **Date of Patent:** **** Jul. 28, 2015**

(54) **HANDLE**

(71) Applicant: **Zwilling J.A. Henckels AG**, Solingen (DE)

(72) Inventors: **Matteo Thun**, Mailand (IT); **Antonio Rodriguez**, Mailand (IT)

(73) Assignee: **Zwilling J.A. Henckels AG** (DE)

(**) Term: **14 Years**

(21) Appl. No.: **29/487,488**

(22) Filed: **Apr. 9, 2014**

(51) **LOC (10) Cl.** **07-02**

(52) **U.S. Cl.**
USPC **D7/395**

(58) **Field of Classification Search**
USPC D7/354–361, 393–395, 401.2, 664;
D8/107, 300, 303, 307, 313, 321;
D4/138, 129; 16/421, 430, 431, 110.1,
16/407; 220/573.1–573.5, 752, 753, 755,
220/756, 759, 767, 771, 912
CPC A47J 45/06; A47J 45/061; A47J 45/62;
A47J 45/08; A47J 45/085; A47J 45/071;
A47J 45/072; B65D 25/2802; B65D 25/2882;
B65D 25/2885; B65D 25/2888; B65D
25/2894; Y10S 220/912
See application file for complete search history.

(56) **References Cited**

U.S. PATENT DOCUMENTS

D199,747 S	12/1964	Farber
D221,979 S	9/1971	Madl
D230,690 S	3/1974	Aries
D252,373 S	7/1979	Eisenrod
D254,117 S	2/1980	Kramer
D255,970 S	7/1980	Lackmann
D264,540 S	5/1982	Otake

D265,161 S	6/1982	Otake	
D267,388 S	12/1982	Spoeth, Jr. et al.	
D269,243 S	6/1983	Lam	
D269,399 S	6/1983	Lam	
D271,656 S	* 12/1983	Kanoui D7/691
D298,404 S	* 11/1988	Lemme et al. D7/393
D328,996 S	9/1992	Gerlach	
D341,058 S	11/1993	Slany et al.	
D358,062 S	5/1995	Hasuike	
D368,828 S	4/1996	Thurlow	
D370,827 S	6/1996	Combe	
D371,933 S	7/1996	Ito	
D374,373 S	10/1996	Ito	
D414,375 S	9/1999	Diulus	
D437,174 S	2/2001	Inoue	

(Continued)

Primary Examiner — Cynthia M Chin

(74) *Attorney, Agent, or Firm* — Mayback & Hoffman, P.A.;
Gregory L. Mayback

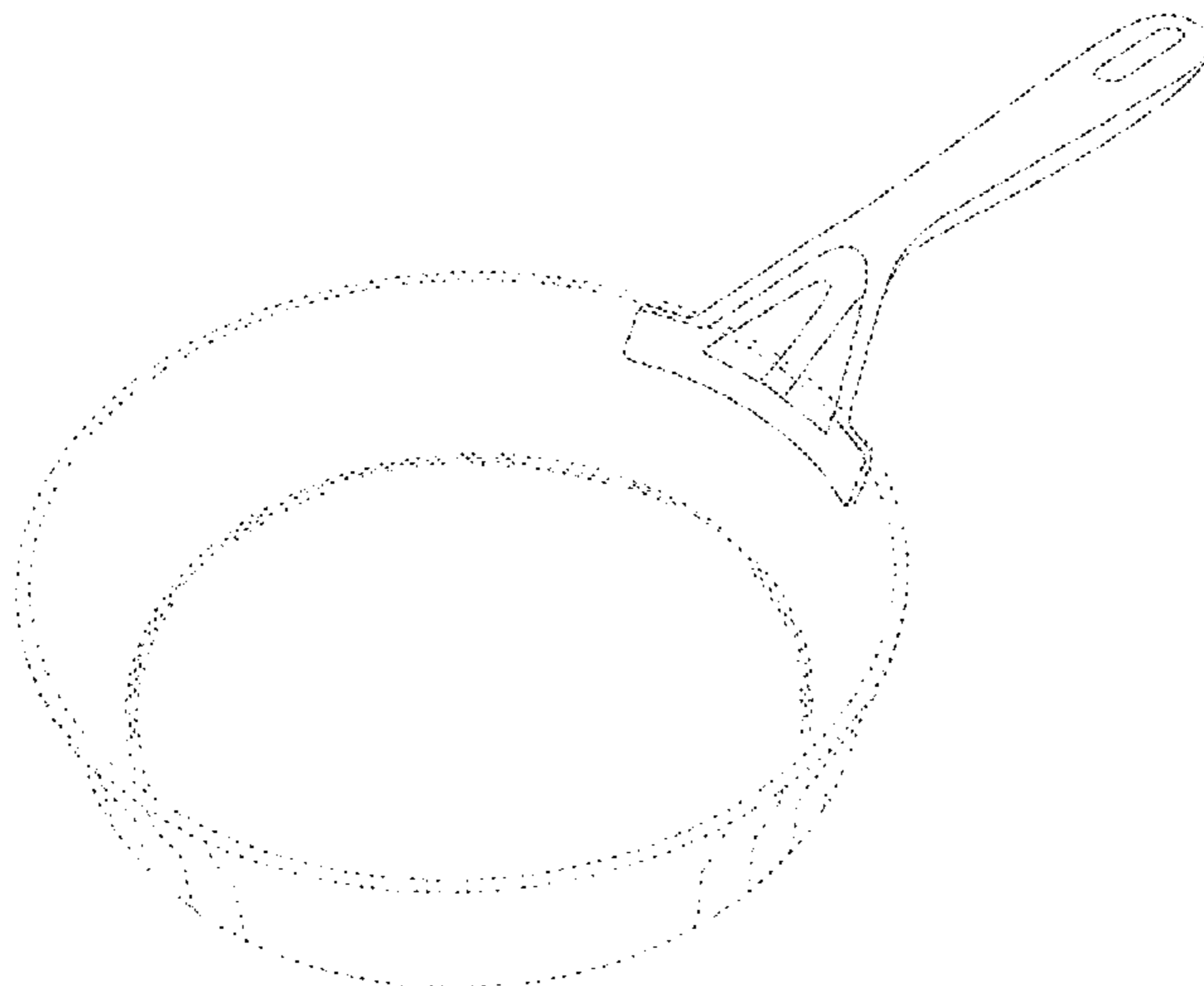
(57) **CLAIM**

The ornamental design for a handle, as shown and described.

DESCRIPTION

FIG. 1 is a perspective view of a handle showing my new design;
FIG. 2 is an elevational view of a left side of the handle of FIG. 1;
FIG. 3 is an elevational view of a right side of the handle of FIG. 1 from a side opposite the view of FIG. 2;
FIG. 4 is an elevational view of a front side of the handle of FIG. 1;
FIG. 5 is an elevational view of a rear side of the handle of FIG. 1 from a side opposite the view of FIG. 4;
FIG. 6 is a top plan view of the handle of FIG. 1; and,
FIG. 7 is a bottom plan view of the handle of FIG. 1.
The dashed lines indicating holes are for the purpose of illustrating unclaimed environment of the design, are for illustrative purposes only, and form no part of the claimed design.

1 Claim, 4 Drawing Sheets



(56)

References Cited

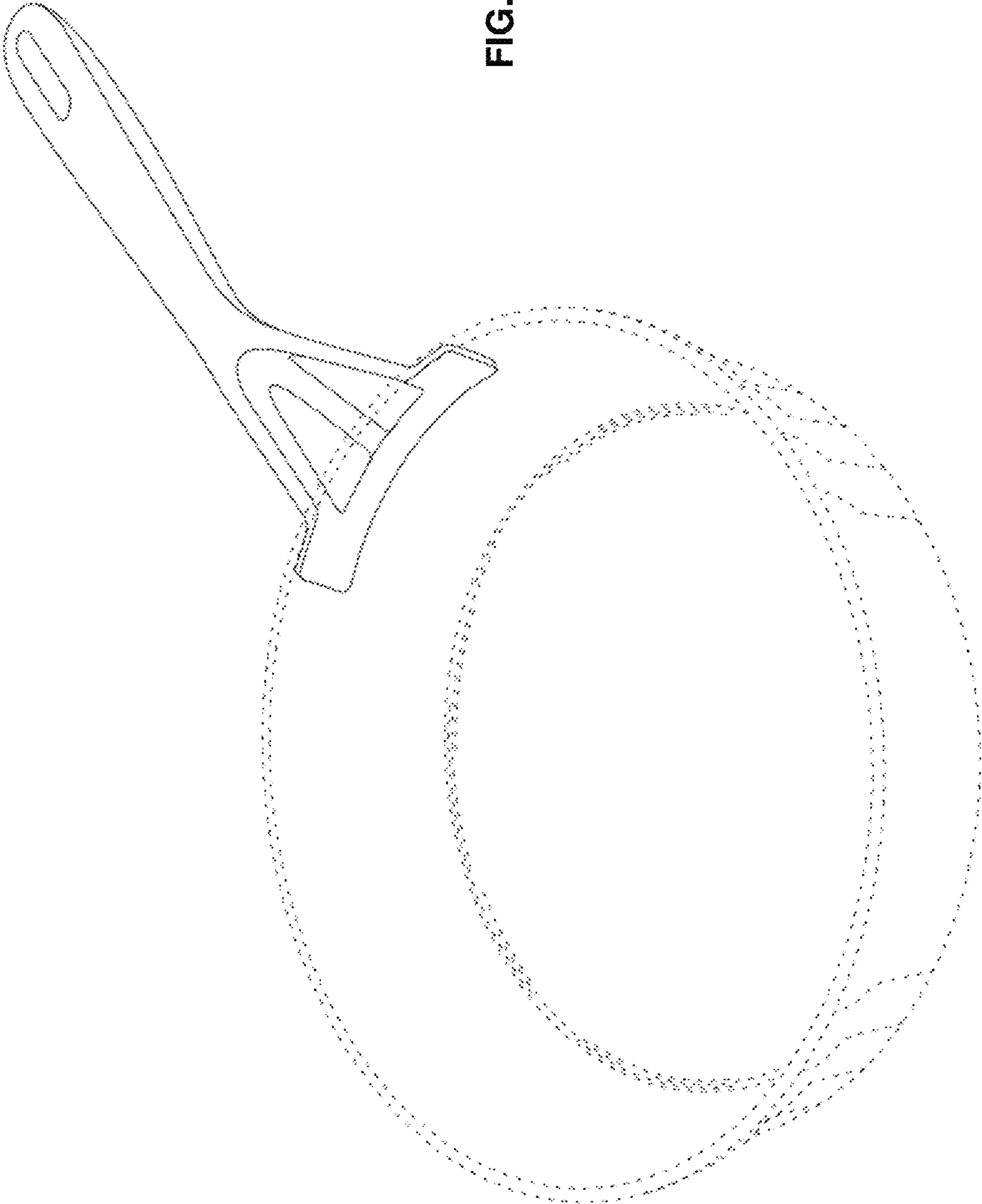
U.S. PATENT DOCUMENTS

D469,301 S 1/2003 Ryan et al.
D482,562 S 11/2003 Demers
D555,425 S * 11/2007 Rae D7/395
D568,667 S 5/2008 Appleton
D579,716 S 11/2008 Pawson et al.
D593,794 S * 6/2009 Rae D7/395

D599,164 S 9/2009 Hoekstra
D599,609 S 9/2009 Ruffoni
D600,971 S 9/2009 Garpelin
D603,218 S 11/2009 Hollinger
D664,390 S * 7/2012 Shen D7/395
D705,000 S * 5/2014 Rae D7/395
D705,003 S * 5/2014 Rae et al. D7/395
D711,685 S * 8/2014 Delassus D7/395

* cited by examiner

FIG. 1



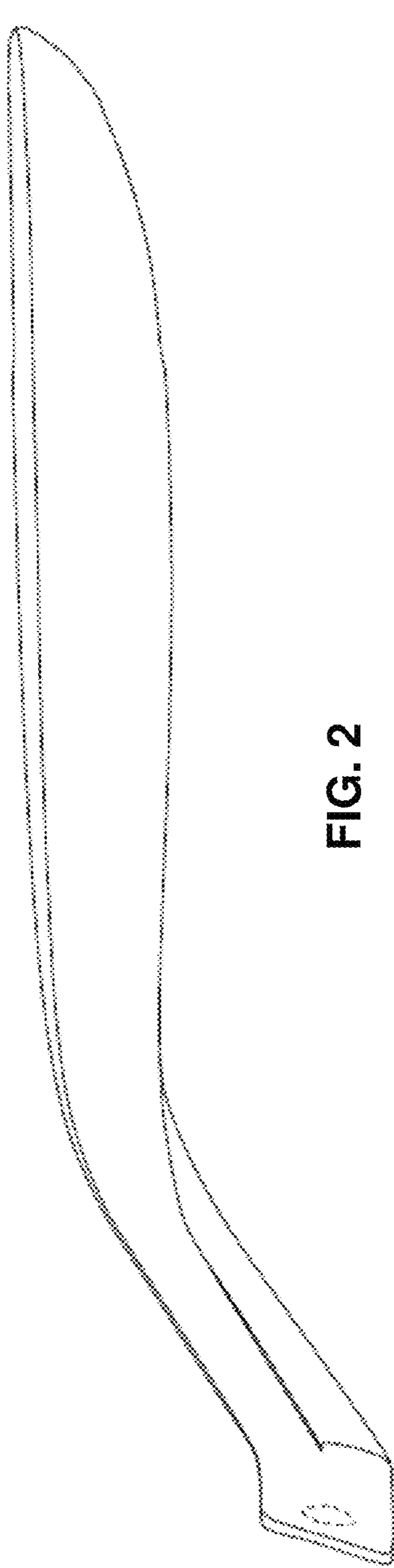


FIG. 2

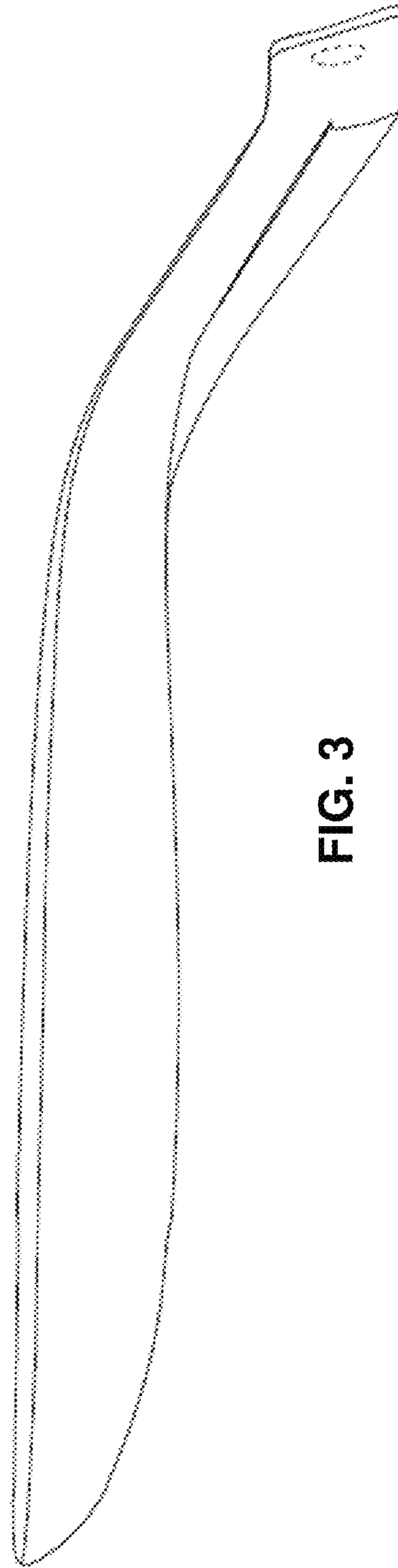


FIG. 3

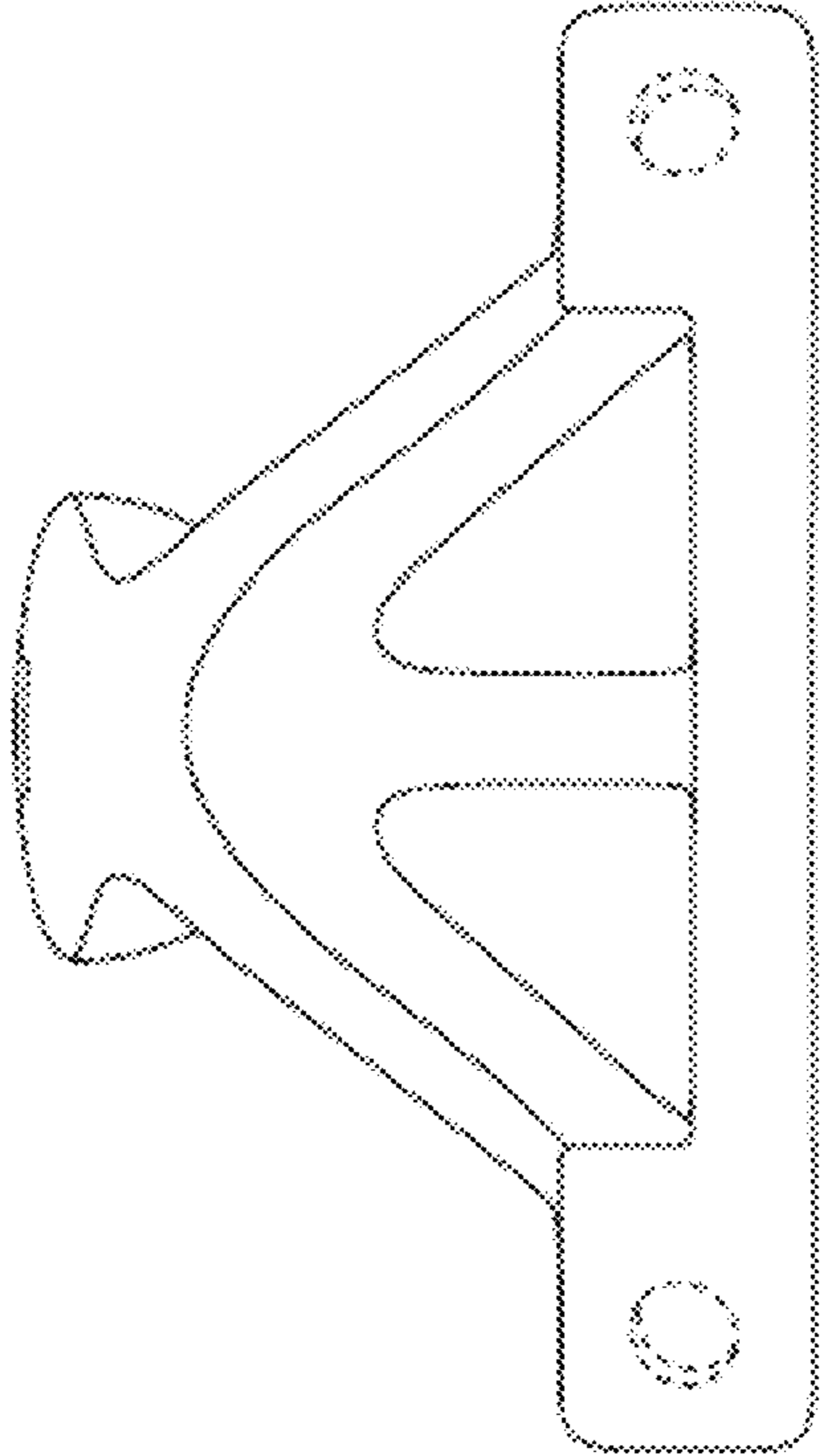


FIG. 4

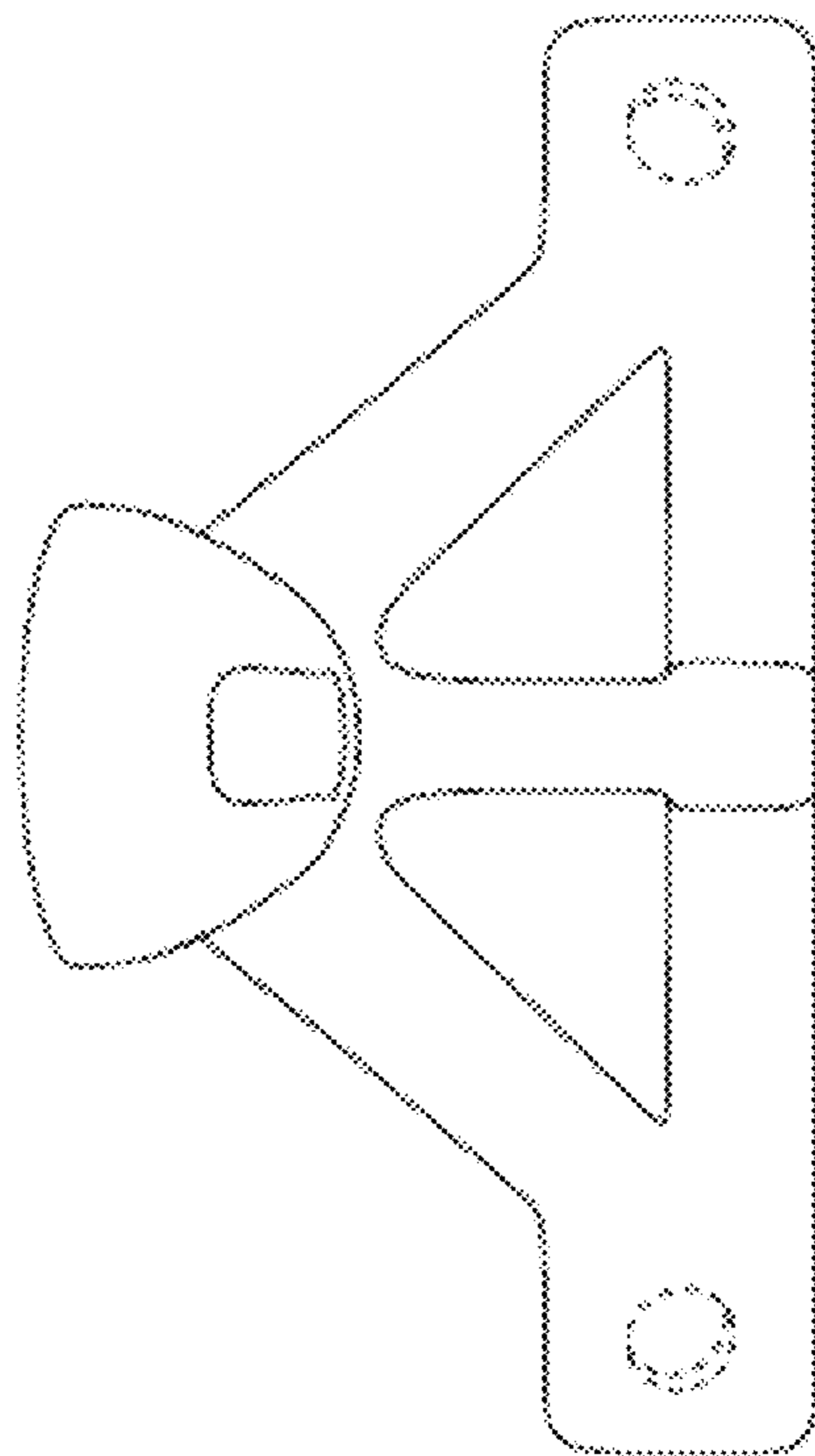


FIG. 5

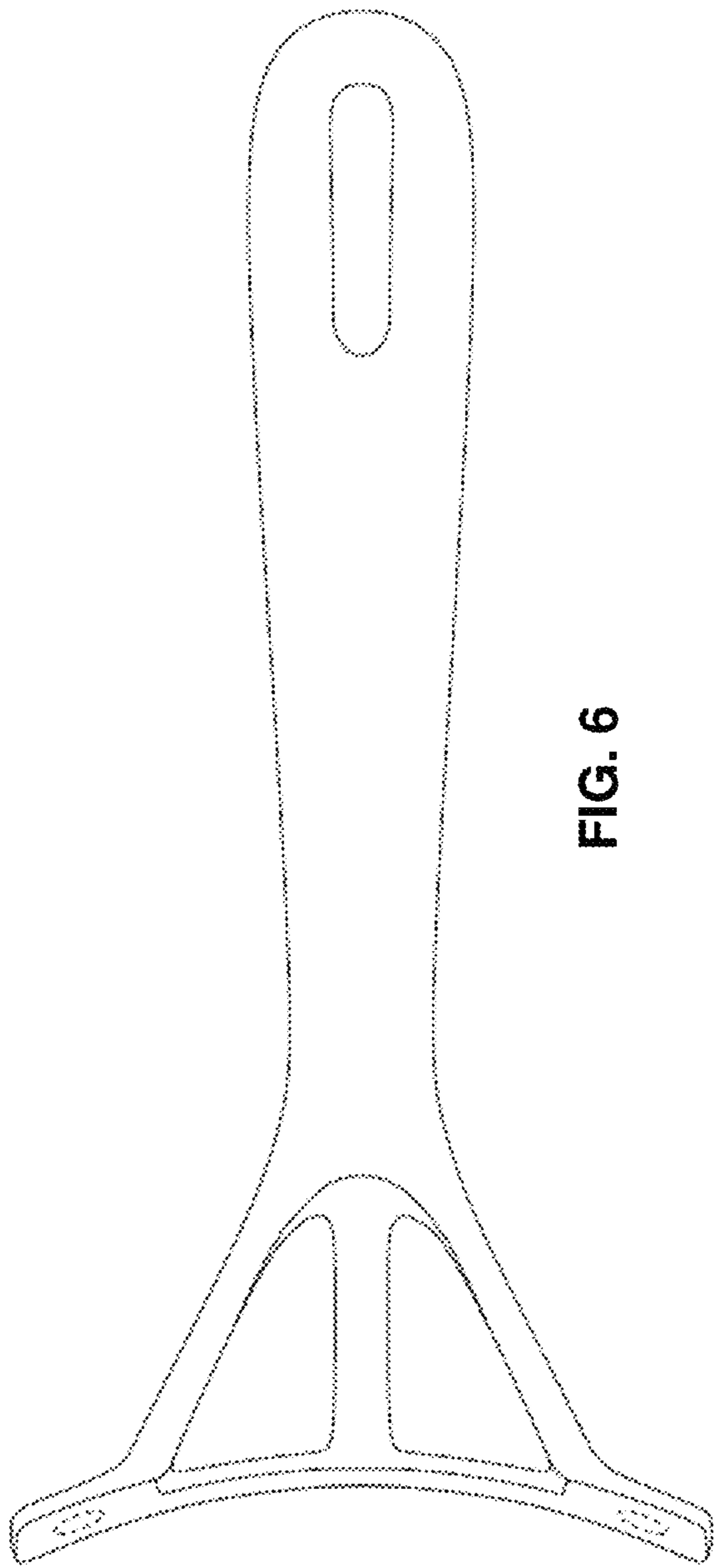


FIG. 6

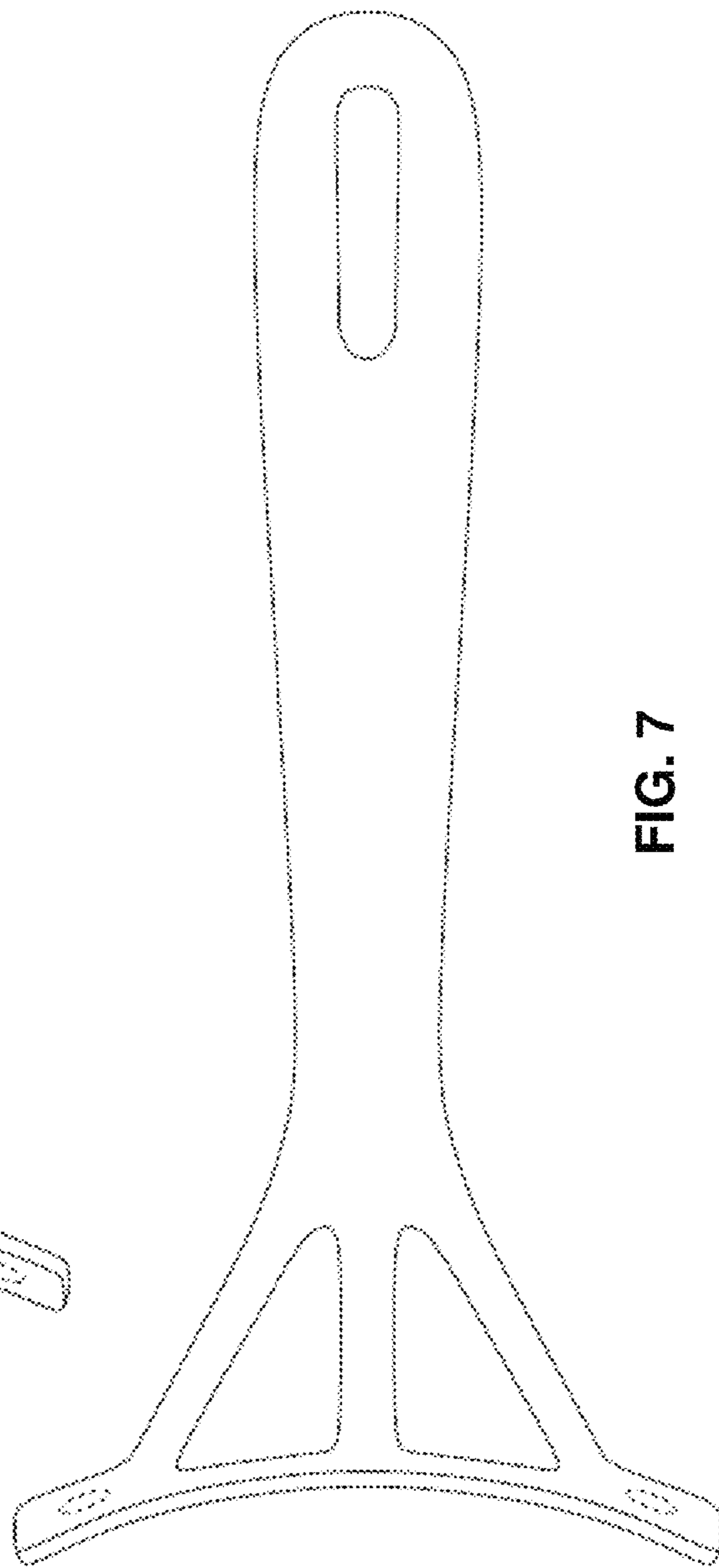


FIG. 7