



US00D734979S

(12) **United States Design Patent**
Sanguinetti

(10) **Patent No.:** **US D734,979 S**
(45) **Date of Patent:** **** Jul. 28, 2015**

(54) **BLENDER**

13/1835; B28C 5/10; B28C 5/12; B28C 5/14;
B28C 5/16

(71) Applicant: **Electrolux Appliances Aktiebolaget,**
Stockholm (SE)

See application file for complete search history.

(72) Inventor: **Alejandro Sanguinetti,** Stockholm (SE)

(56)

References Cited

(73) Assignee: **Electrolux Appliances Aktiebolag,**
Stockholm (SE)

U.S. PATENT DOCUMENTS

(**) Term: **14 Years**

D215,782 S *	10/1969	Steinkamp	D7/386
D347,966 S *	6/1994	Doggett	D7/378
D538,595 S *	3/2007	White et al.	D7/413
D577,537 S *	9/2008	Lee	D7/386
D580,216 S *	11/2008	Ryan	D7/384
D611,760 S *	3/2010	Ball	D7/378
D625,141 S *	10/2010	Moore	D7/378
D625,144 S *	10/2010	Moore et al.	D7/384
D650,229 S *	12/2011	Hensel et al.	D7/412
D658,430 S *	5/2012	Hoare et al.	D7/386
D668,501 S *	10/2012	Hensel et al.	D7/386
D694,582 S *	12/2013	Norland	D7/413
D695,060 S *	12/2013	Penaherrera et al.	D7/386

(21) Appl. No.: **29/485,759**

(22) Filed: **Mar. 21, 2014**

(30) **Foreign Application Priority Data**

Sep. 24, 2013 (EM) 002314567

(51) **LOC (10) Cl.** **31-00**

(52) **U.S. Cl.**
USPC **D7/378; D7/376; D7/384**

* cited by examiner

Primary Examiner — Ricky Pham

(74) *Attorney, Agent, or Firm* — Banner & Witcoff, Ltd.

(58) **Field of Classification Search**

USPC D7/372, 376–386, 412–413, 602, 629,
D7/665–666, 669, 679, 693–694;
99/509–511; 241/92, 98,
241/101.01–101.2, 166–169.1, 274–278.2,
241/285.1–285.3, 291, 292.1; 366/64–65,
366/97–98, 100, 130, 197–201, 205–207,
366/219–220, 341–343

CPC A21C 1/02; A21C 1/04; A23N 1/00;
A23N 1/02; A47J 43/04; A47J 43/25; A47J
43/27; A47J 43/042; A47J 43/044; A47J
43/046; A47J 43/075; A47J 43/0722; A47J
43/0727; B01F 3/00; B01F 3/0807; B01F
3/0853; B01F 13/0059; B01F 13/0064;
B02C 1/08; B02C 2/04; B02C 4/42; B02C
4/142; B02C 4/143; B02C 4/423; B02C

CLAIM

The ornamental design for a blender, as shown and described.

DESCRIPTION

FIG. 1 is a front perspective view of a blender showing my new design;

FIG. 2 is an enlarged top plan view thereof;

FIG. 3 is a front view thereof;

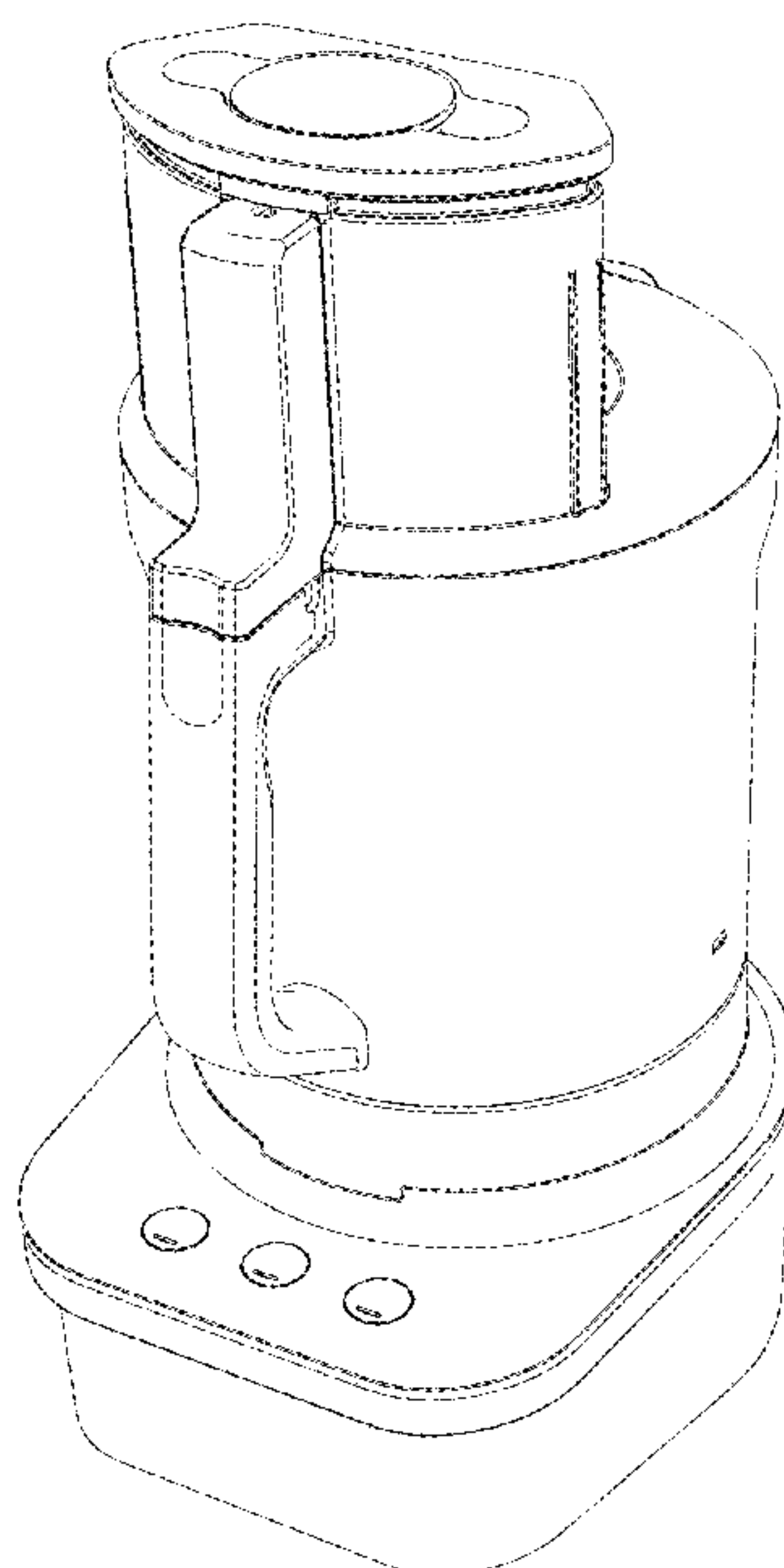
FIG. 4 is a right side view thereof;

FIG. 5 is a left side view thereof;

FIG. 6 is a rear view thereof; and,

FIG. 7 is an enlarged bottom view thereof.

1 Claim, 7 Drawing Sheets



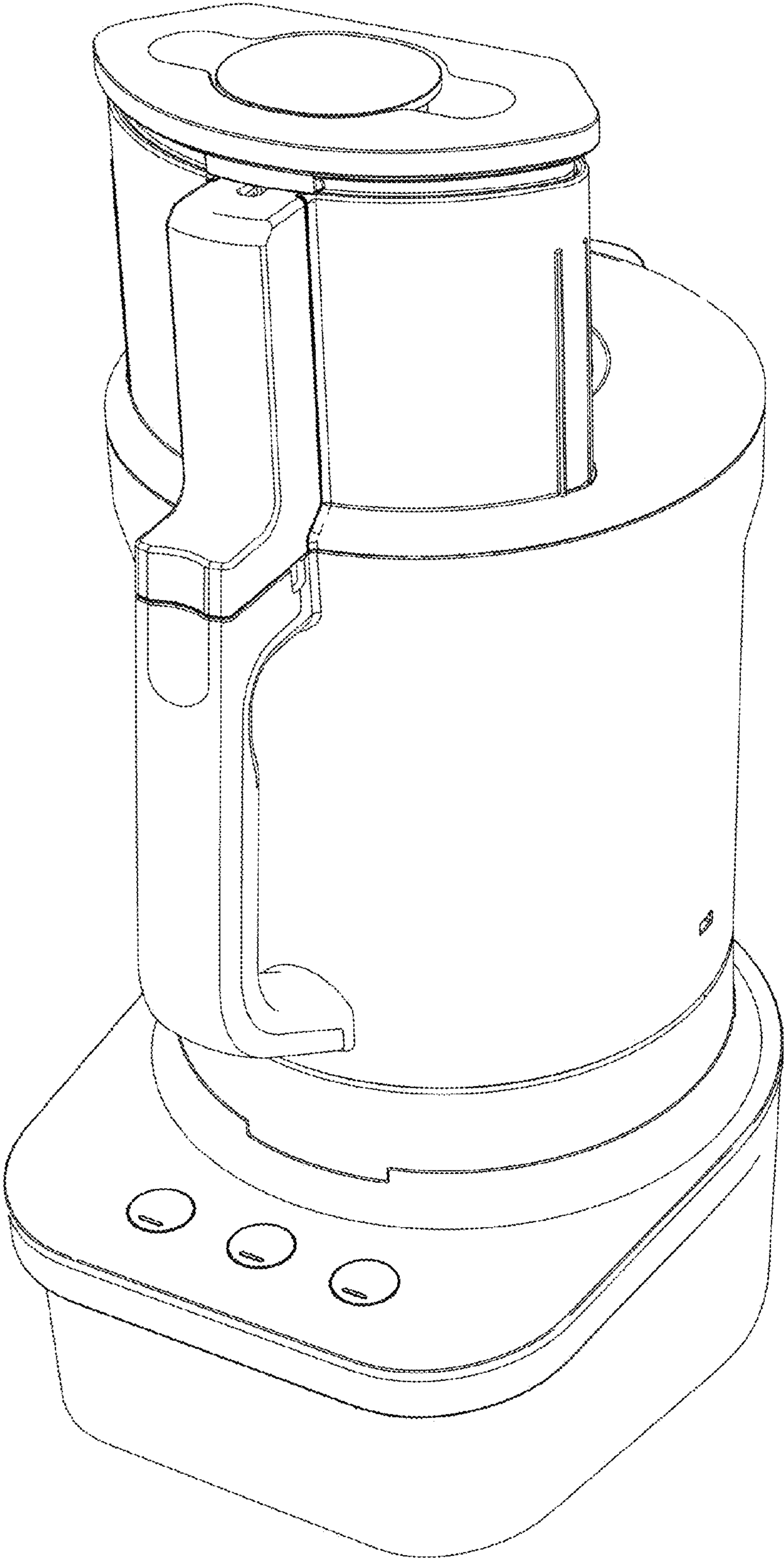


FIG. 1

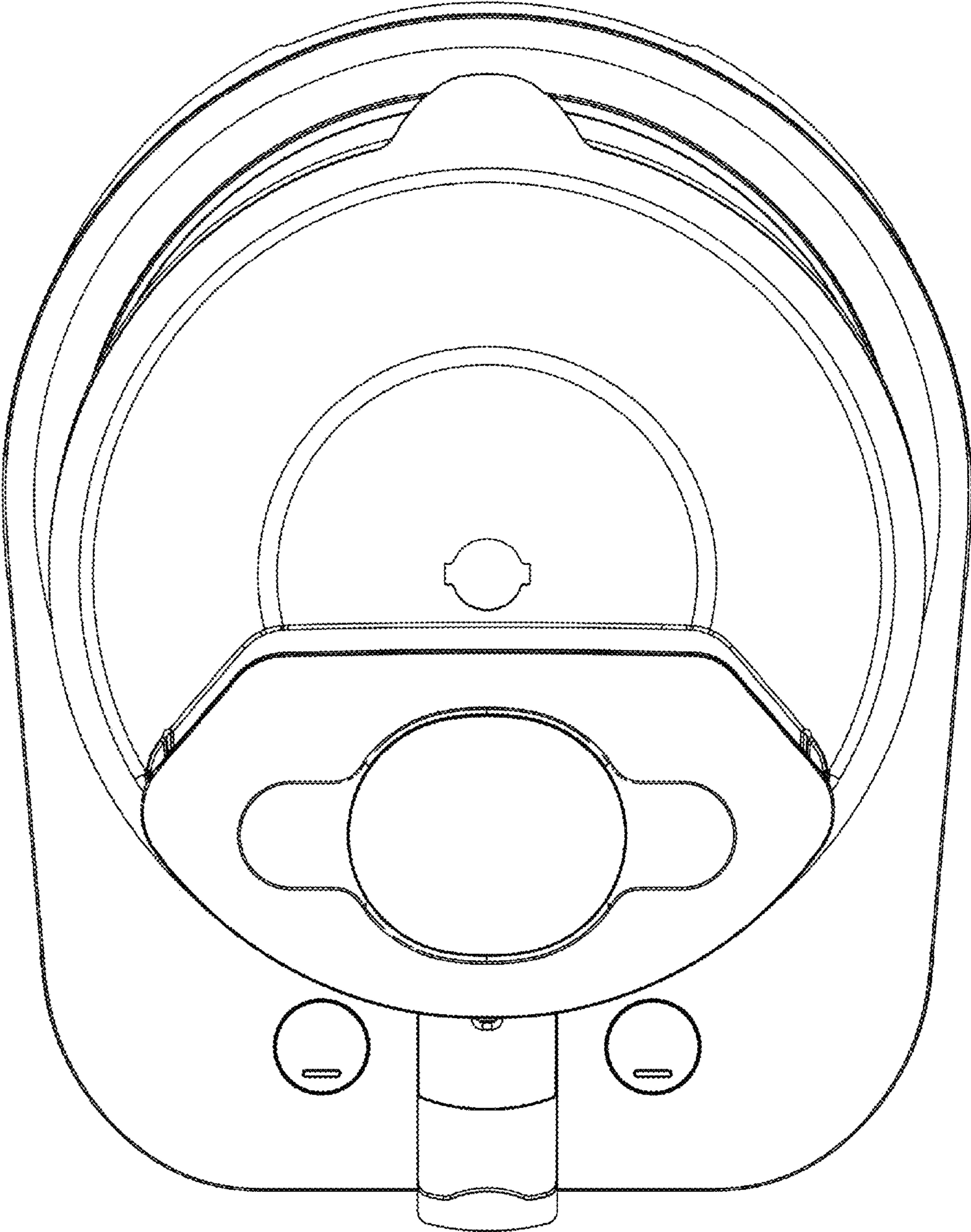


FIG. 2

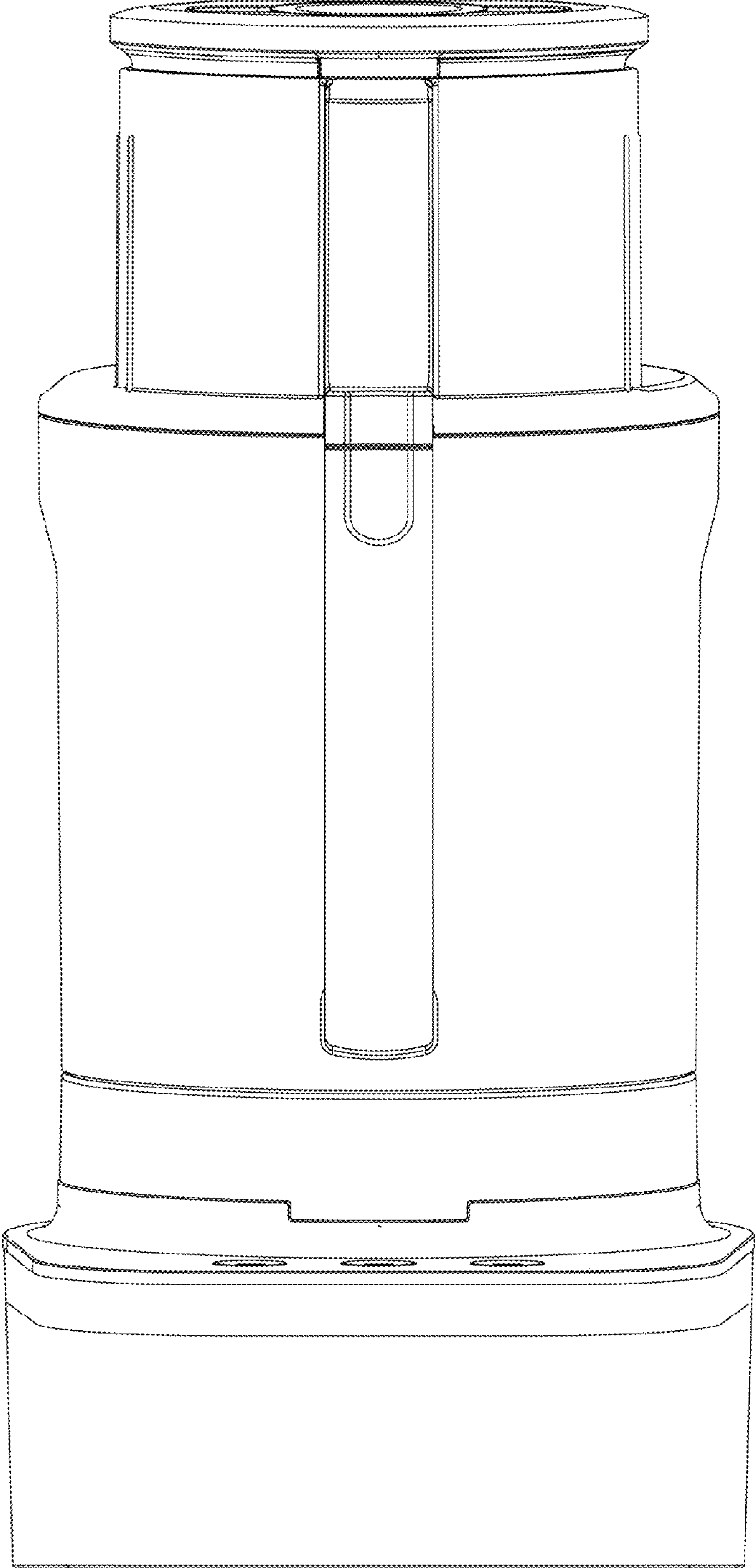


FIG. 3

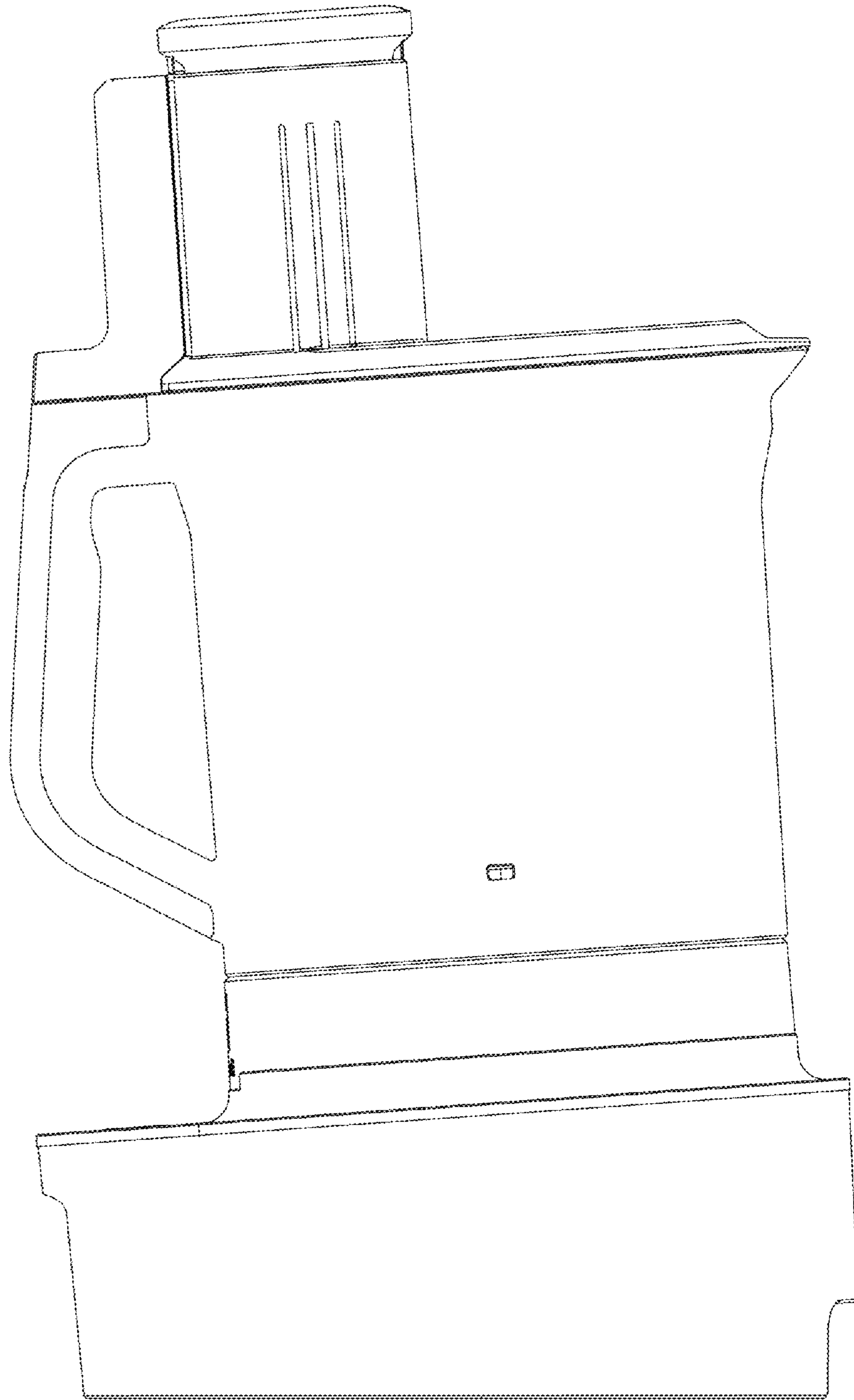


FIG. 4

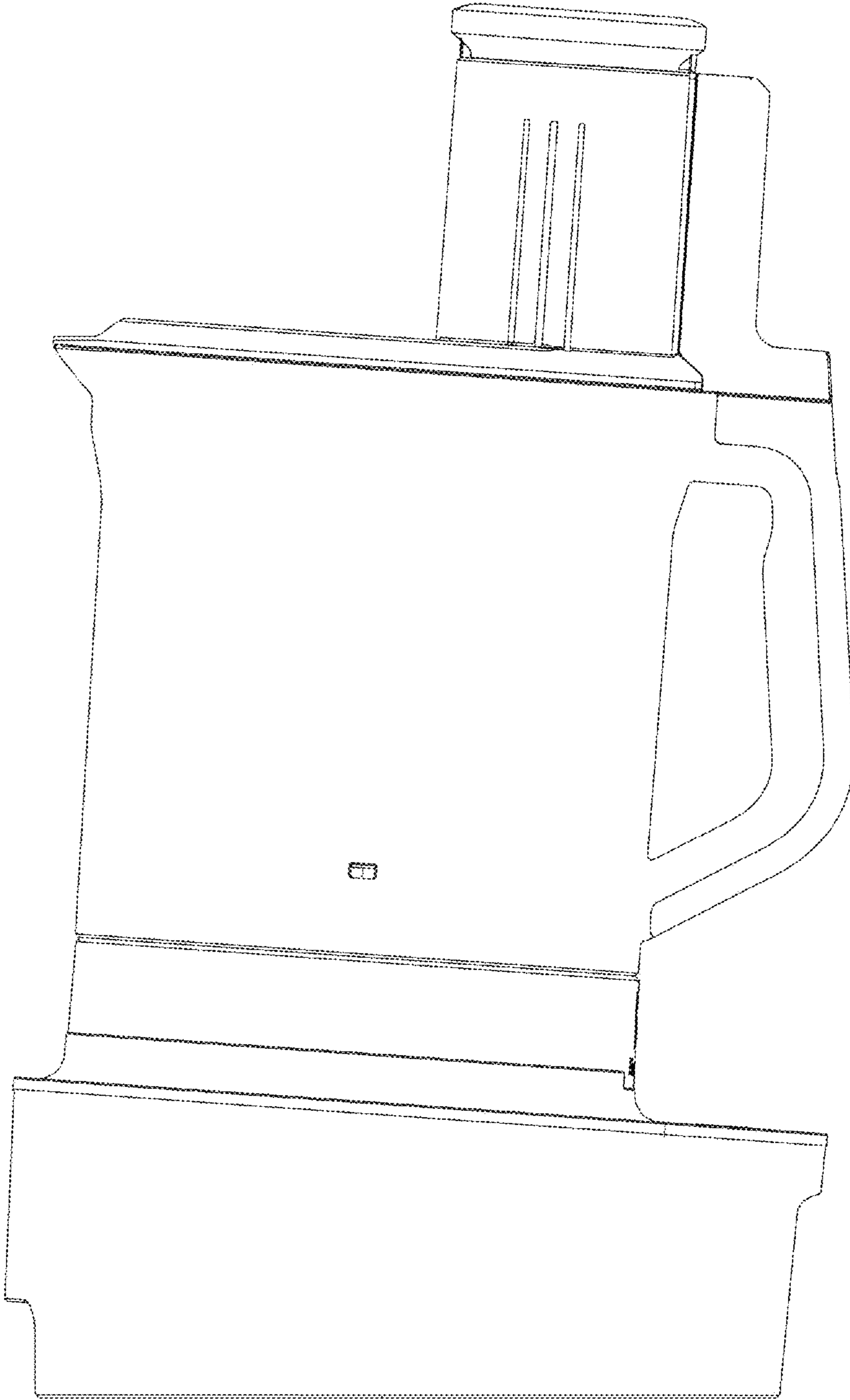


FIG. 5

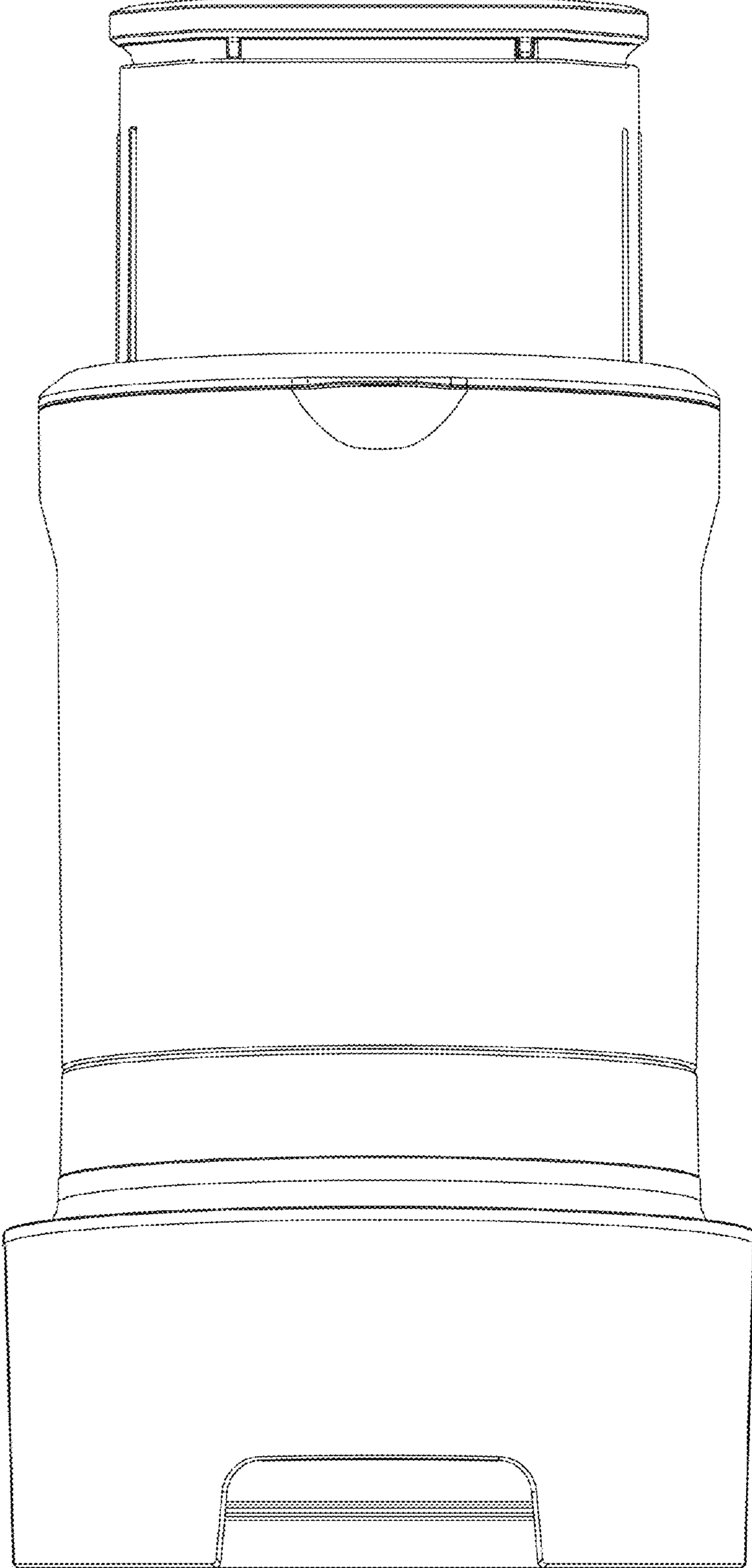


FIG. 6

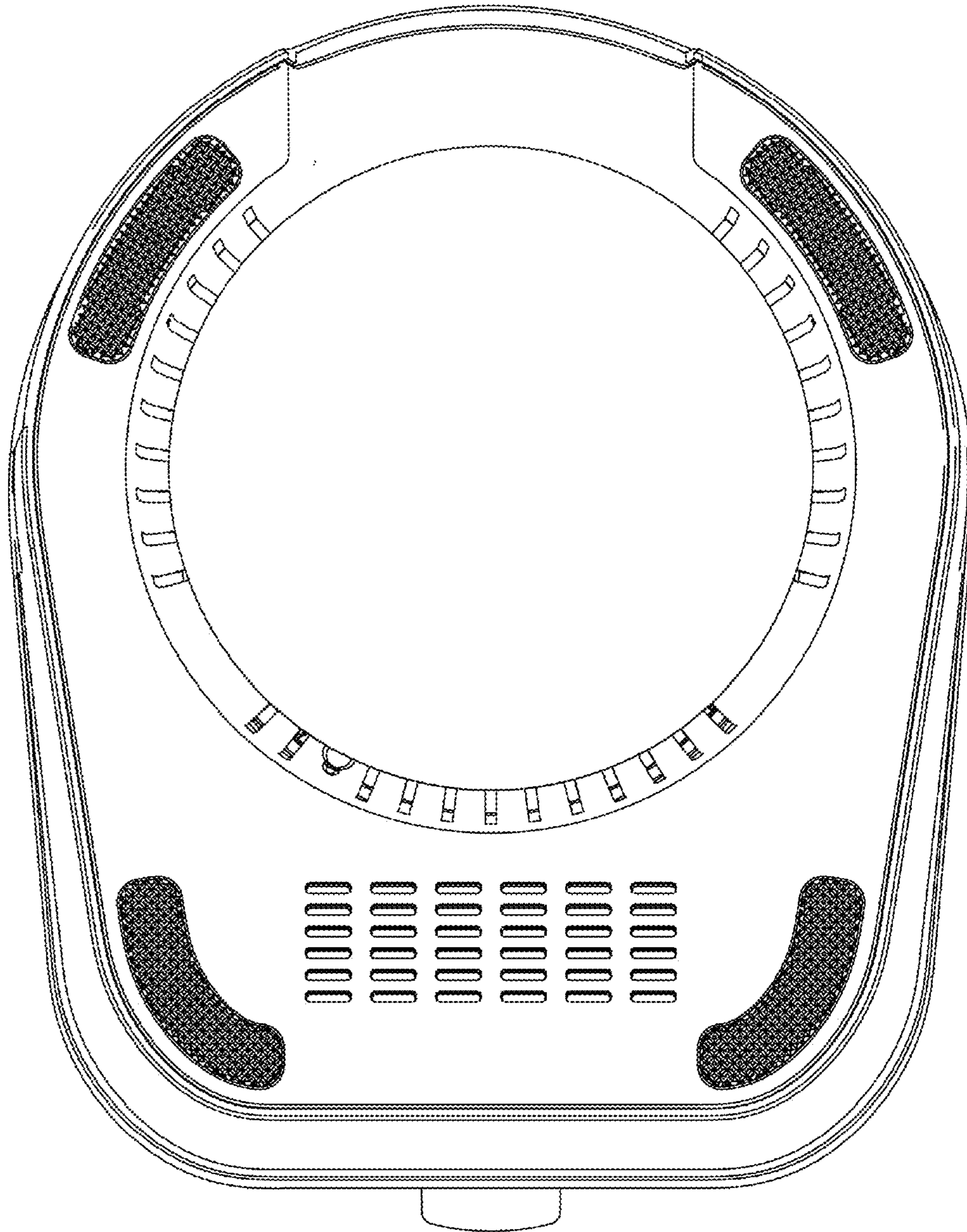


FIG. 7