



US00D734977S

(12) **United States Design Patent**
Dietz

(10) **Patent No.:** **US D734,977 S**
(45) **Date of Patent:** **** Jul. 28, 2015**

(54) **STONE GRINDING MILL**
(71) Applicant: **Phillip Dietz**, Saint George, UT (US)
(72) Inventor: **Phillip Dietz**, Saint George, UT (US)
(73) Assignee: **L'Chef LLC**, St. George, UT (US)
(**) Term: **14 Years**

(21) Appl. No.: **29/484,915**
(22) Filed: **Mar. 13, 2014**
(51) **LOC (10) Cl.** **31-00**
(52) **U.S. Cl.**
USPC **D7/372**
(58) **Field of Classification Search**
USPC 99/279-280, 286, 288, 290-292, 323.3;
241/36, 37.5, 49, 55, 79.1, 92, 100,
241/186.4, 188.2, 259, 286
CPC B02C 13/24; B02C 7/18; B02C 7/13;
B02C 7/04; A47J 42/46; A47J 42/26
See application file for complete search history.

(56) **References Cited**

U.S. PATENT DOCUMENTS

3,488,008 A * 1/1970 Bodine 241/49
4,060,206 A * 11/1977 Granzow 241/259.1

D511,269 S * 11/2005 MacWilliam D7/372
D621,206 S * 8/2010 Matta et al. D7/372
D629,642 S * 12/2010 Miller D7/372
D630,467 S * 1/2011 Harrod D7/376
2009/0032627 A1* 2/2009 Krasznaï 241/36

FOREIGN PATENT DOCUMENTS

EP 2353477 A3 10/2012

* cited by examiner

Primary Examiner — Terry Wallace

(74) *Attorney, Agent, or Firm* — Zachary D. Renstrom

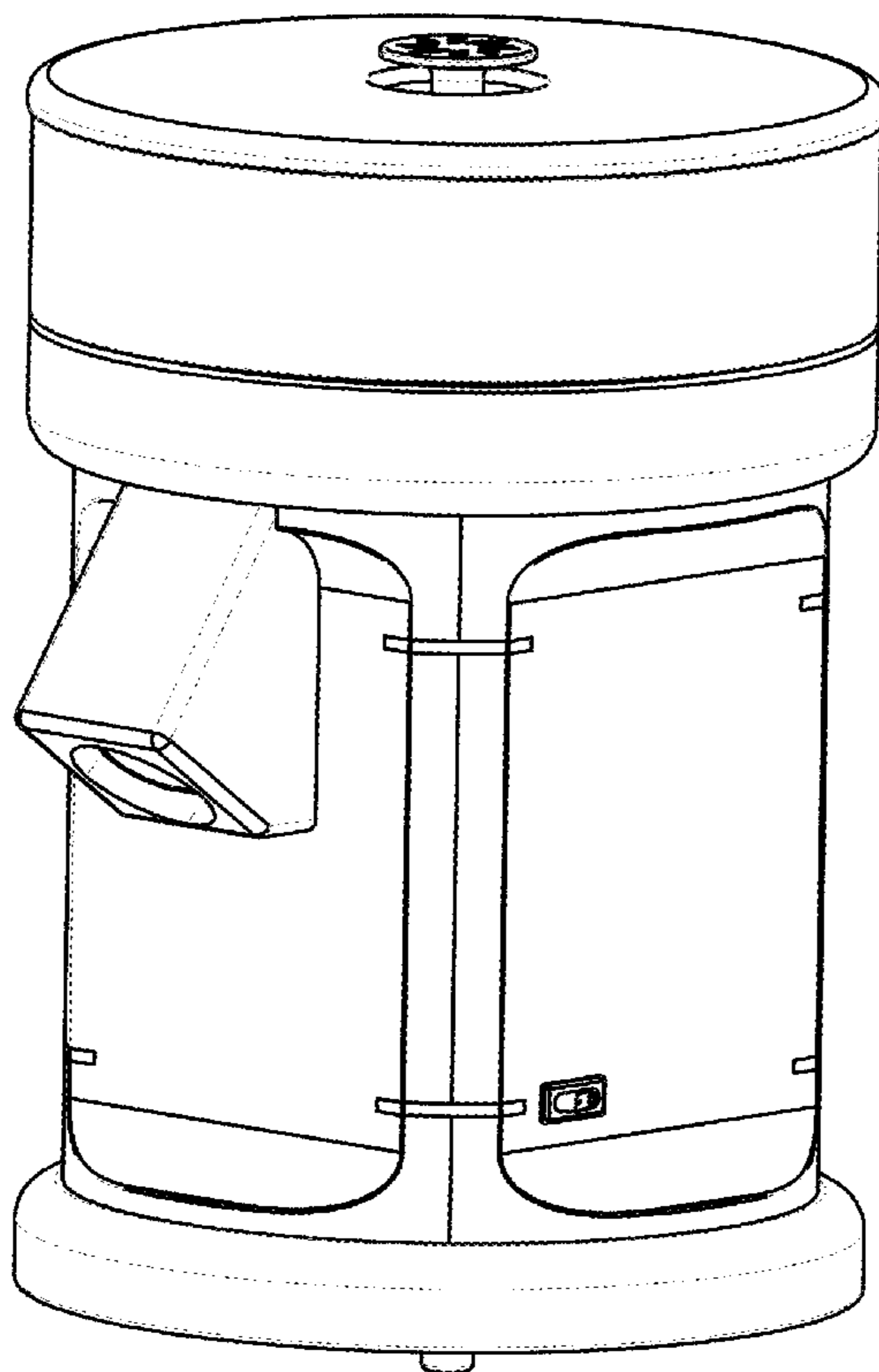
(57) **CLAIM**

The ornamental design for a stone grinding mill, as shown and described.

DESCRIPTION

FIG. 1 is a top, front, right side perspective view of a stone grinding mill showing my new design.
FIG. 2 is a right side view thereof.
FIG. 3 is a rear view thereof.
FIG. 4 is a top plan view thereof.
FIG. 5 is a bottom plan view thereof.
FIG. 6 is a front view thereof; and,
FIG. 7 is a left side view thereof.

1 Claim, 6 Drawing Sheets



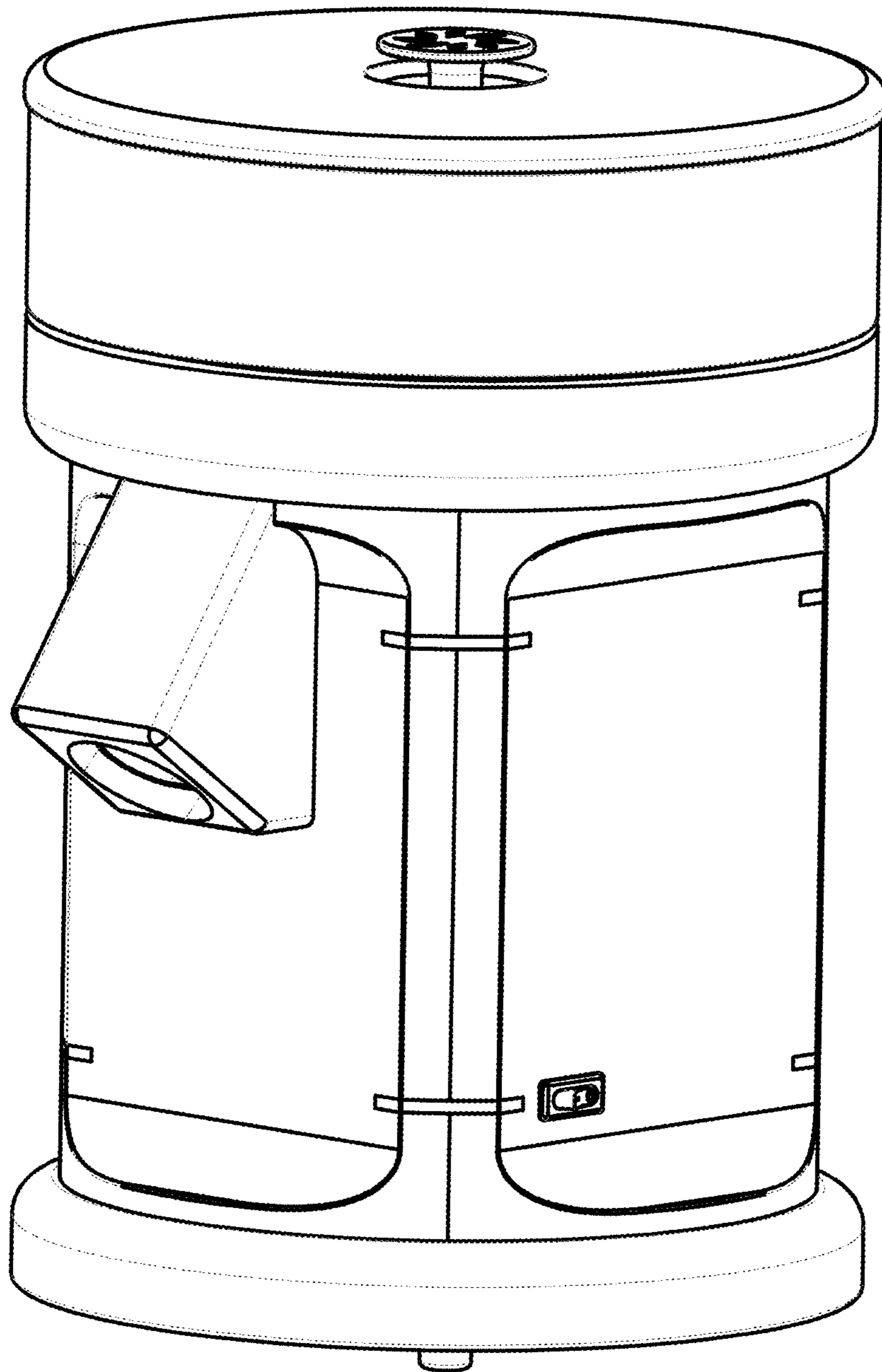


FIG. 1

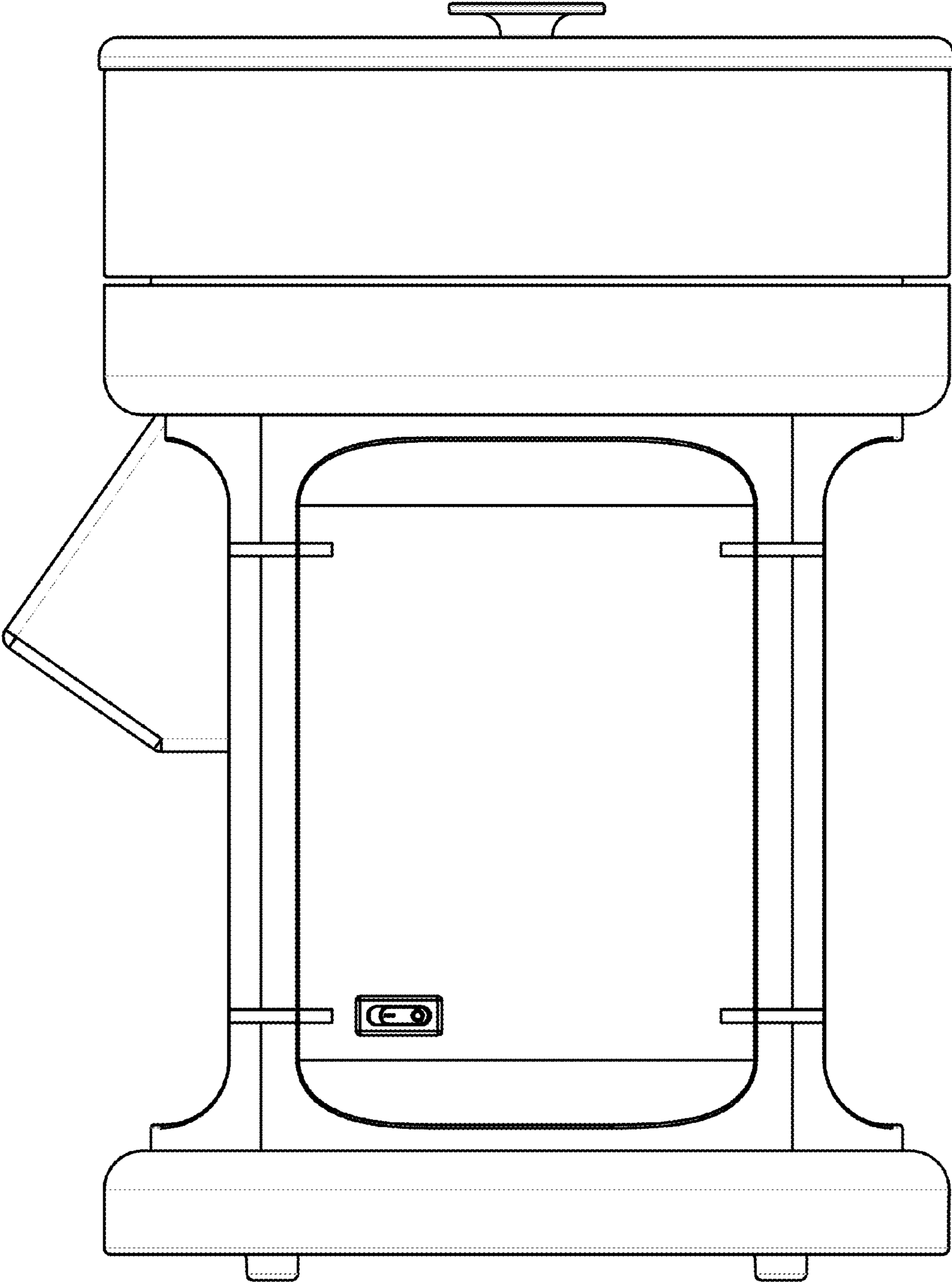


FIG. 2



FIG. 3

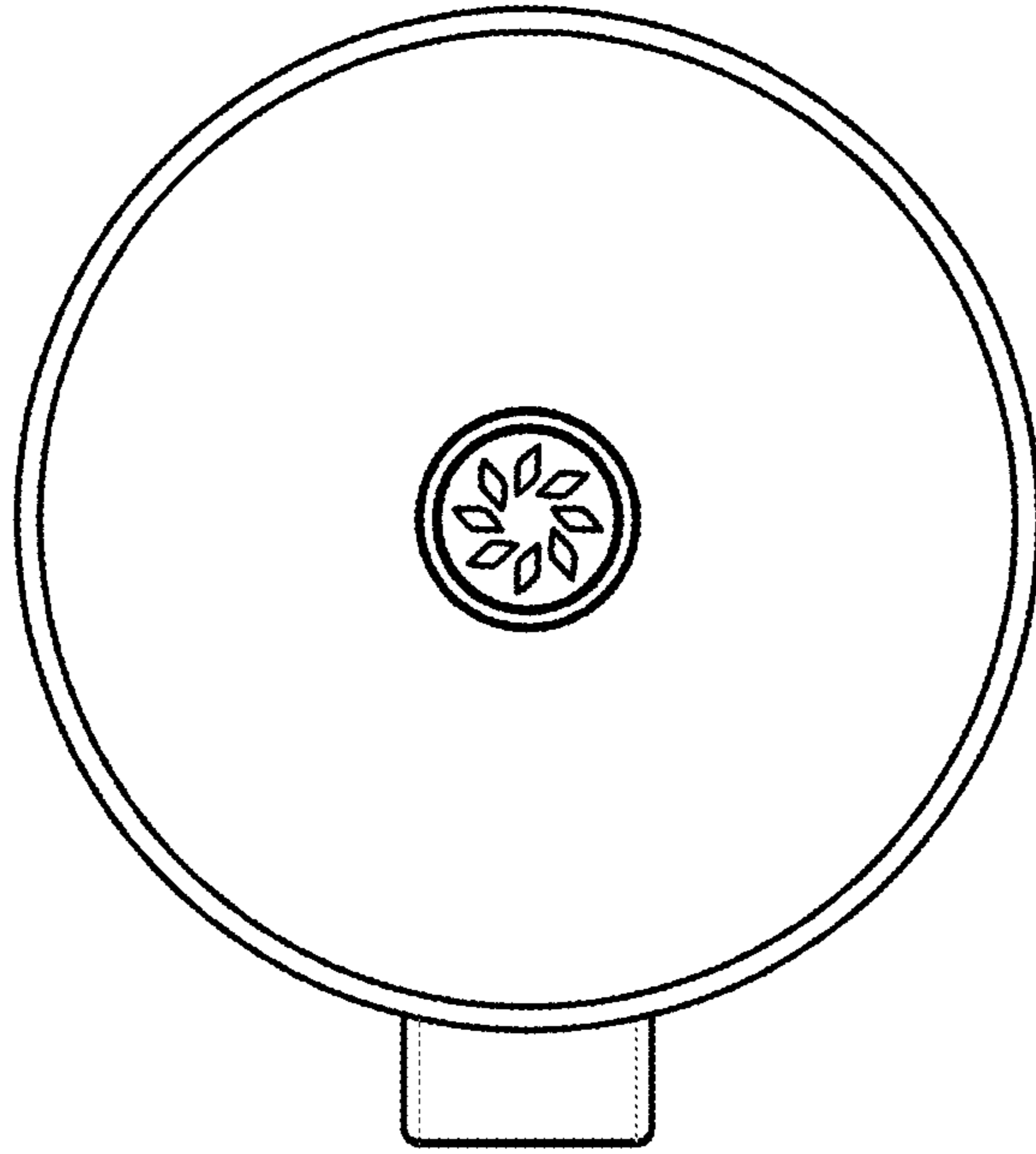


FIG. 4

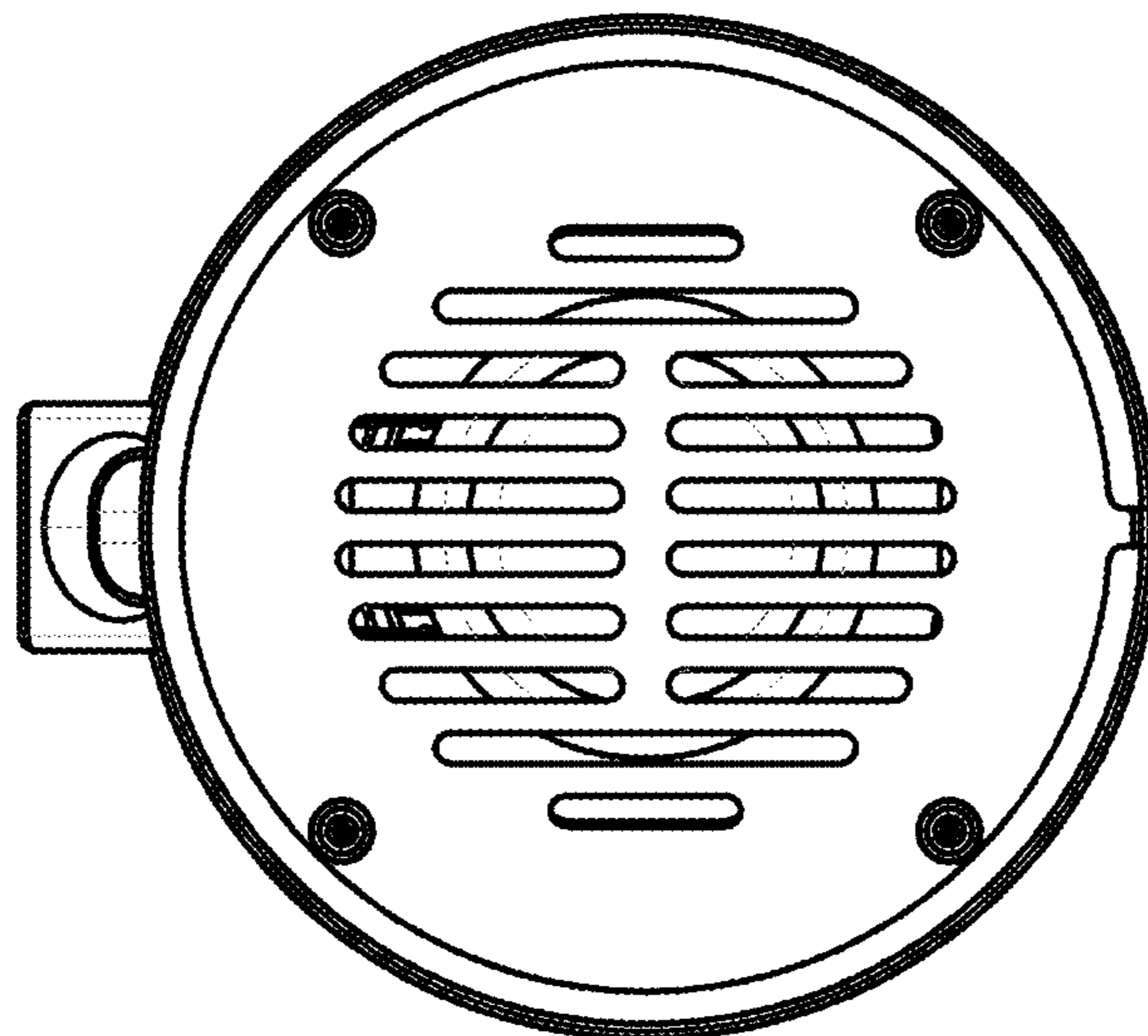


FIG. 5

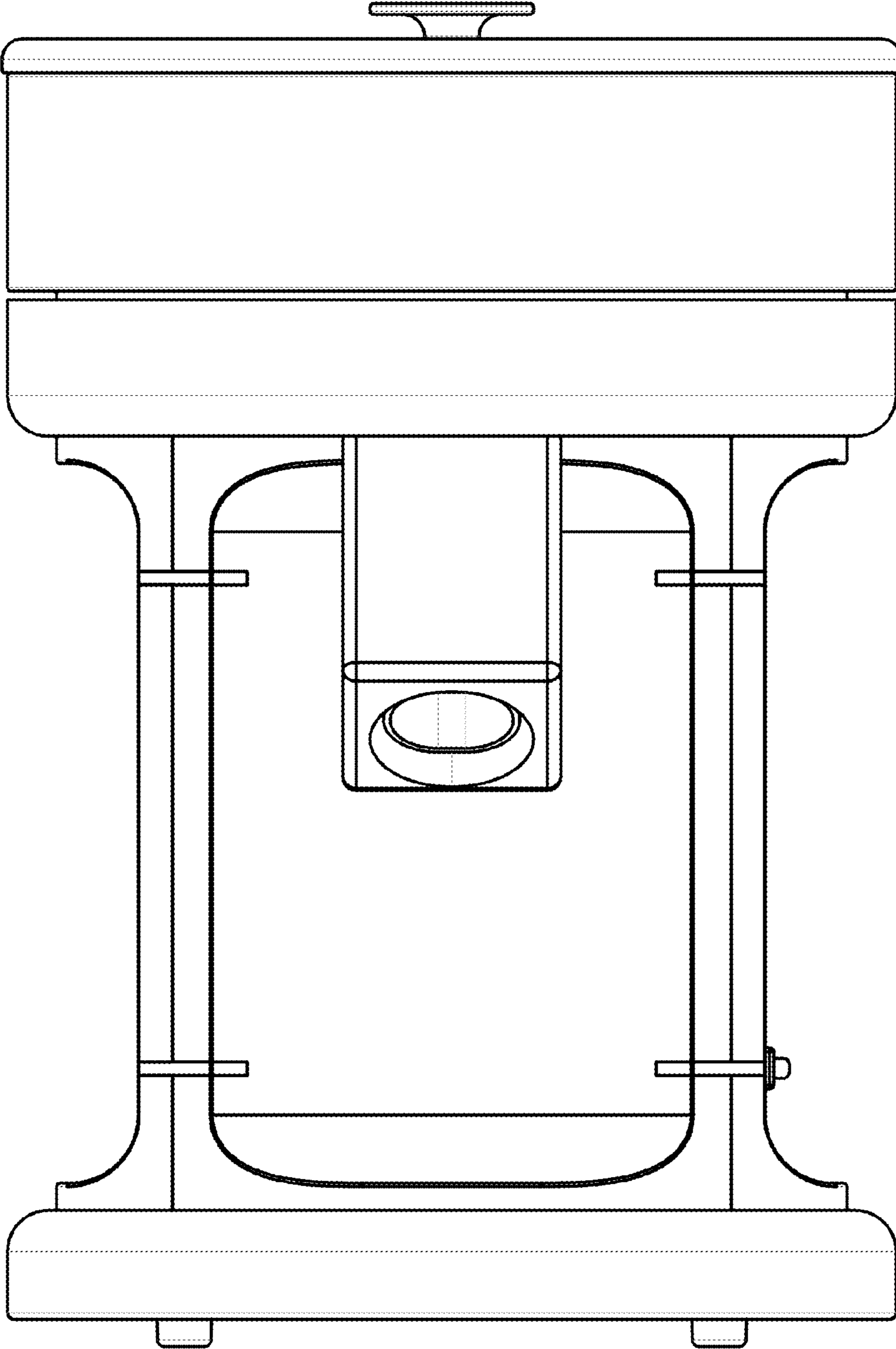


FIG. 6

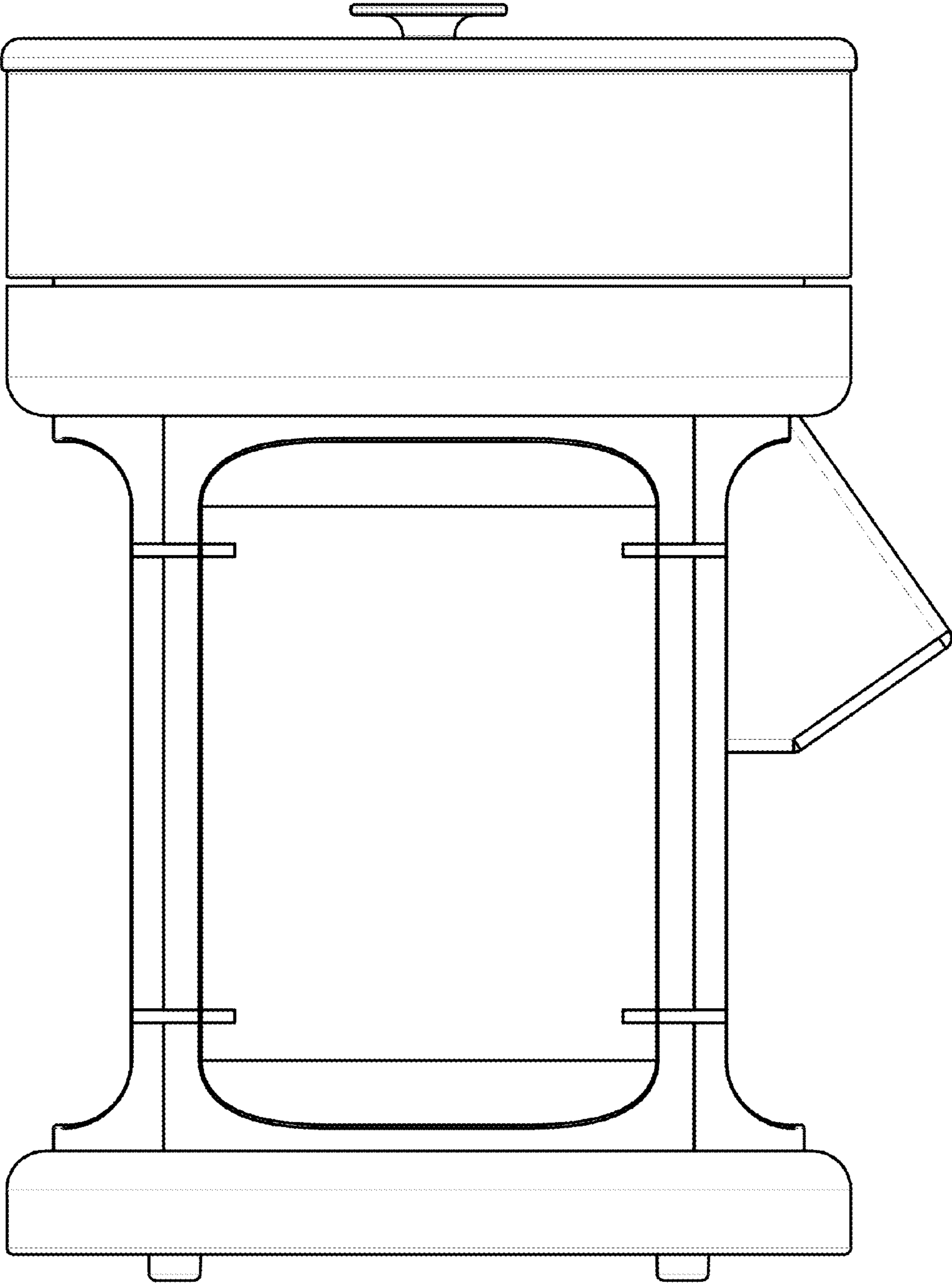


FIG. 7