

US00D734976S

(12) **United States Design Patent**
Quinn

(10) **Patent No.:** **US D734,976 S**

(45) **Date of Patent:** **** *Jul. 28, 2015**

(54) **COVERED COOKWARE CONTAINER**

(56) **References Cited**

(71) Applicant: **Meyer Intellectual Properties Ltd.**,
Kowloon (HK)

U.S. PATENT DOCUMENTS

(72) Inventor: **Jason Quinn**, Tokyo (JP)

D477,970 S *	8/2003	Thonis	D7/542
D530,564 S *	10/2006	Chiba	D7/360
D537,300 S *	2/2007	Kim	D7/629
D557,972 S *	12/2007	Ablo	D7/354
D571,155 S *	6/2008	Plante et al.	D7/542
D577,549 S *	9/2008	Plante et al.	D7/542
D582,218 S *	12/2008	Curtin	D7/629
D625,149 S *	10/2010	Stamper	D7/538
D634,583 S *	3/2011	Bernardaud	D7/542
D660,093 S *	5/2012	Kyung	D7/629
D667,273 S *	9/2012	Henry	D7/542
D673,807 S *	1/2013	Grider et al.	D7/391
D708,021 S *	7/2014	Heiberg et al.	D7/629

(73) Assignee: **Meyer Intellectual Properties Limited**,
Hong Kong (CN)

(*) Notice: This patent is subject to a terminal disclaimer.

(**) Term: **14 Years**

* cited by examiner

(21) Appl. No.: **29/475,683**

Primary Examiner — Ricky Pham

(22) Filed: **Dec. 5, 2013**

(74) *Attorney, Agent, or Firm* — Edward S. Sherman

(51) **LOC (10) Cl.** **07-02**

(52) **U.S. Cl.**
USPC **D7/360; D7/354**

(57) **CLAIM**

The ornamental design for a covered cookware container, as shown and described.

(58) **Field of Classification Search**

USPC D7/323, 354–363, 391, 393–396, 409, D7/538, 542, 629; 99/324, 331, 339–340, 99/403, 425–426, 444–445; 126/373.1, 126/383.1–384.1, 390.1; 219/438–439, 219/620–622; 220/573.1–573.5, 752–753, 220/755–759, 912; 222/465.1, 470, 475.1

CPC A47G 19/12; A47J 27/00; A47J 27/002; A47J 27/08; A47J 27/21; A47J 27/58; A47J 36/025; A47J 36/06; A47J 36/12; A47J 37/00; A47J 37/10; A47J 37/101; A47J 37/103; A47J 37/12; A47J 37/1204; A47J 45/061; A47J 45/071; A47J 45/08; H05B 6/12

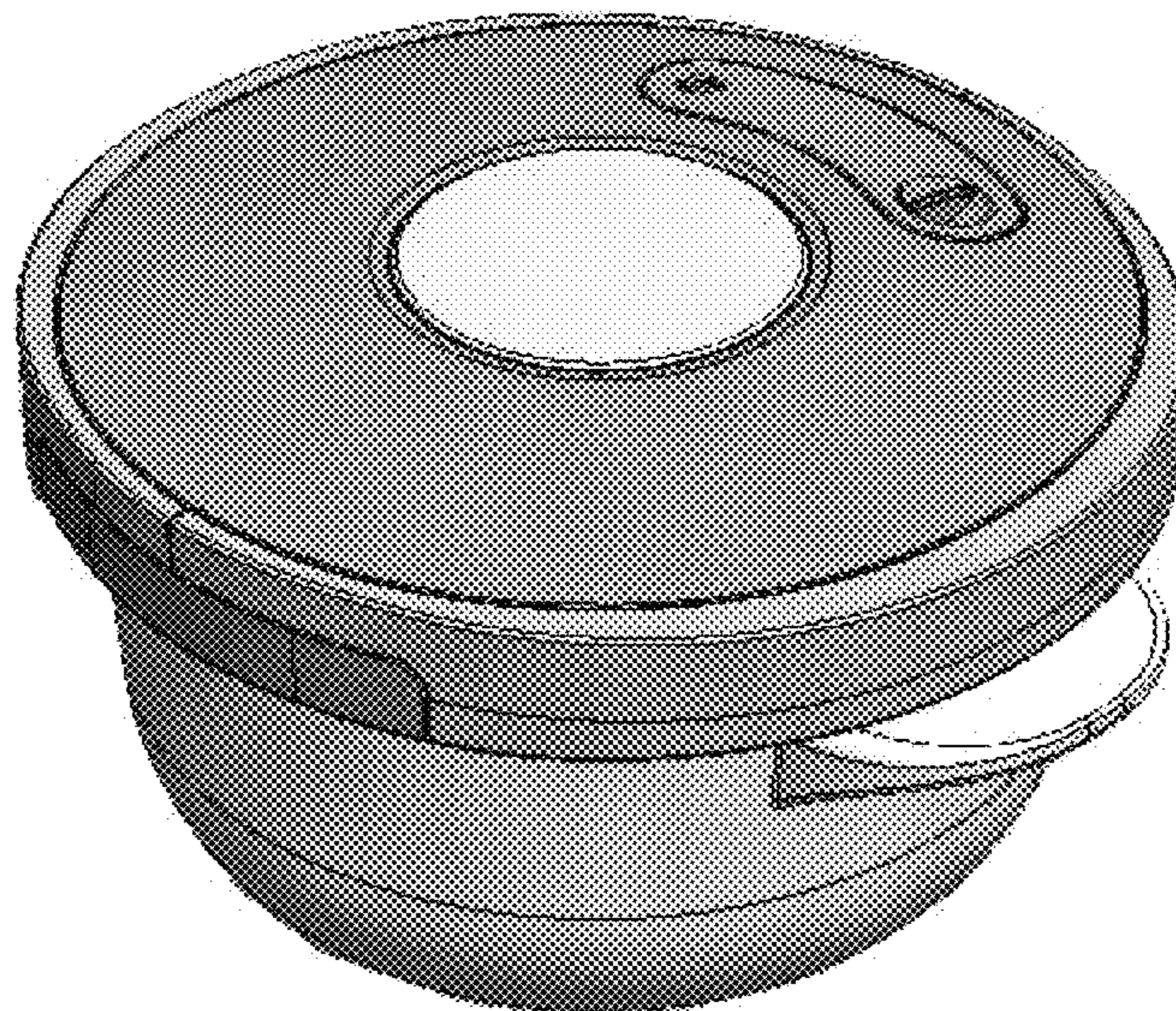
See application file for complete search history.

DESCRIPTION

FIG. 1 is a perspective view of the covered cookware container, showing my new design;
 FIG. 2 is a front elevation thereof;
 FIG. 3 is a rear elevation view thereof;
 FIG. 4 is a right side elevation view thereof;
 FIG. 5 is a left side elevation view thereof;
 FIG. 6 is a top plan view thereof; and,
 FIG. 7 is a bottom plan view thereof.

Color and color variations are not part of the claimed design.

1 Claim, 7 Drawing Sheets



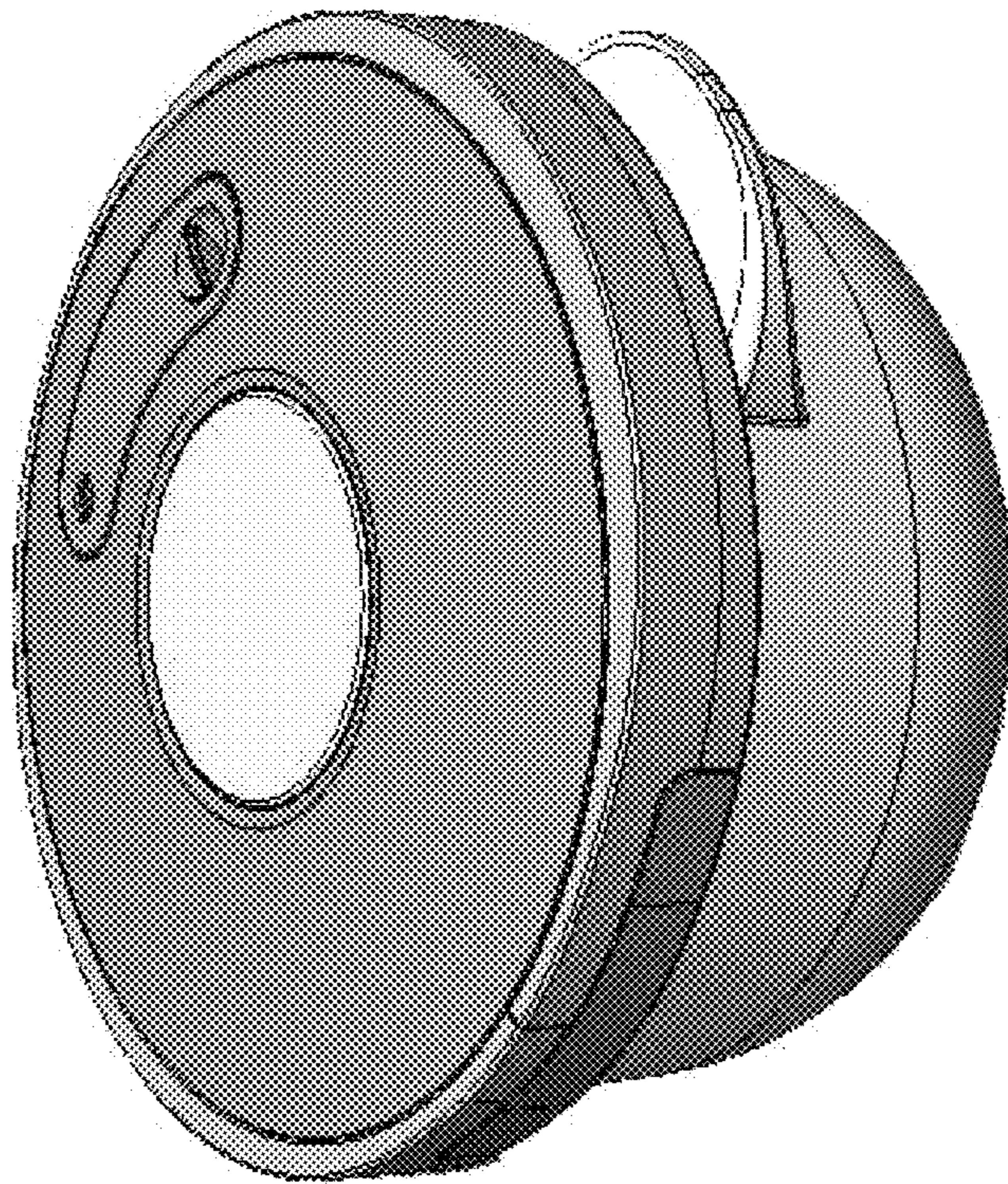


FIG. 1

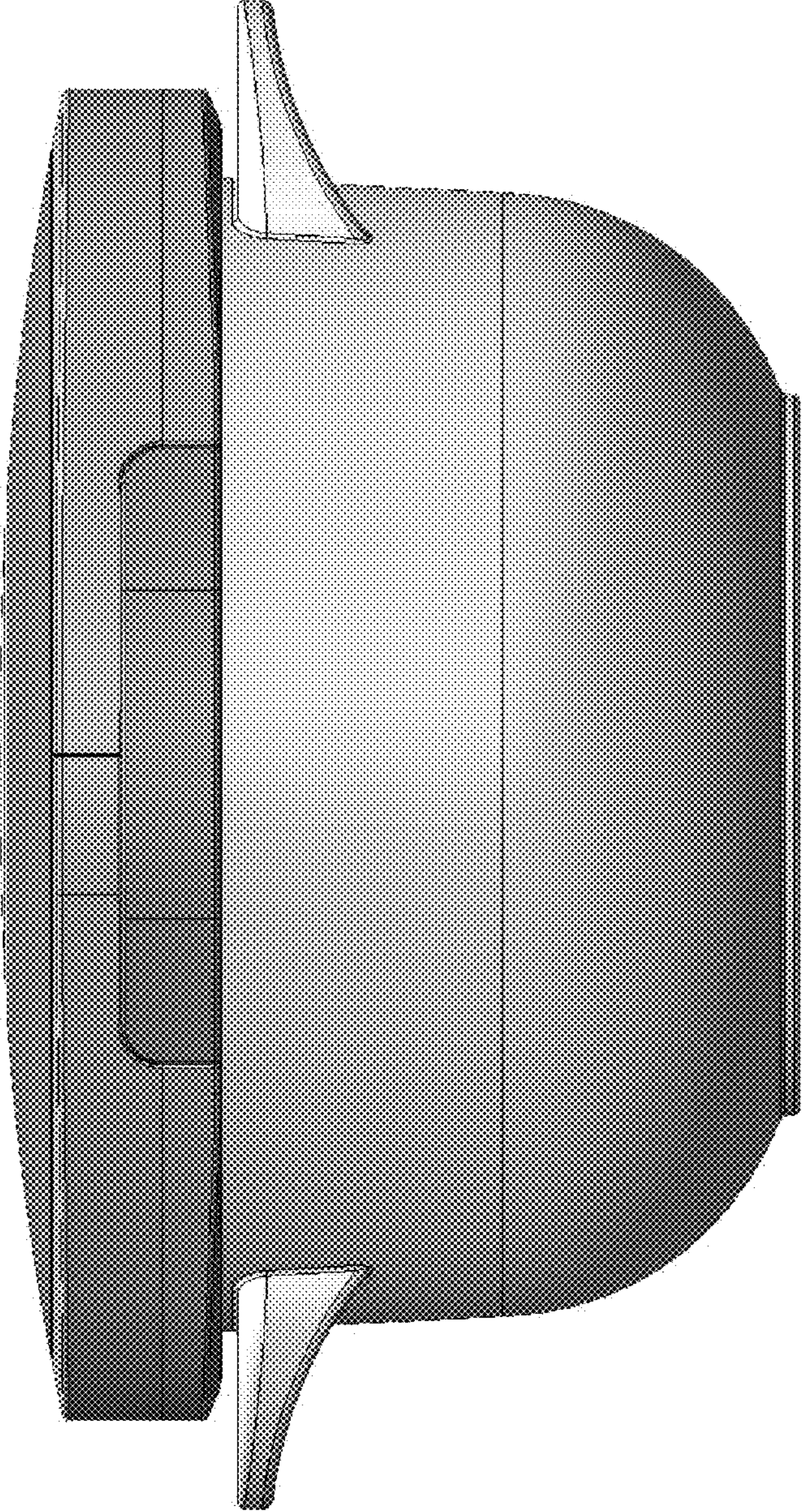


FIG. 2

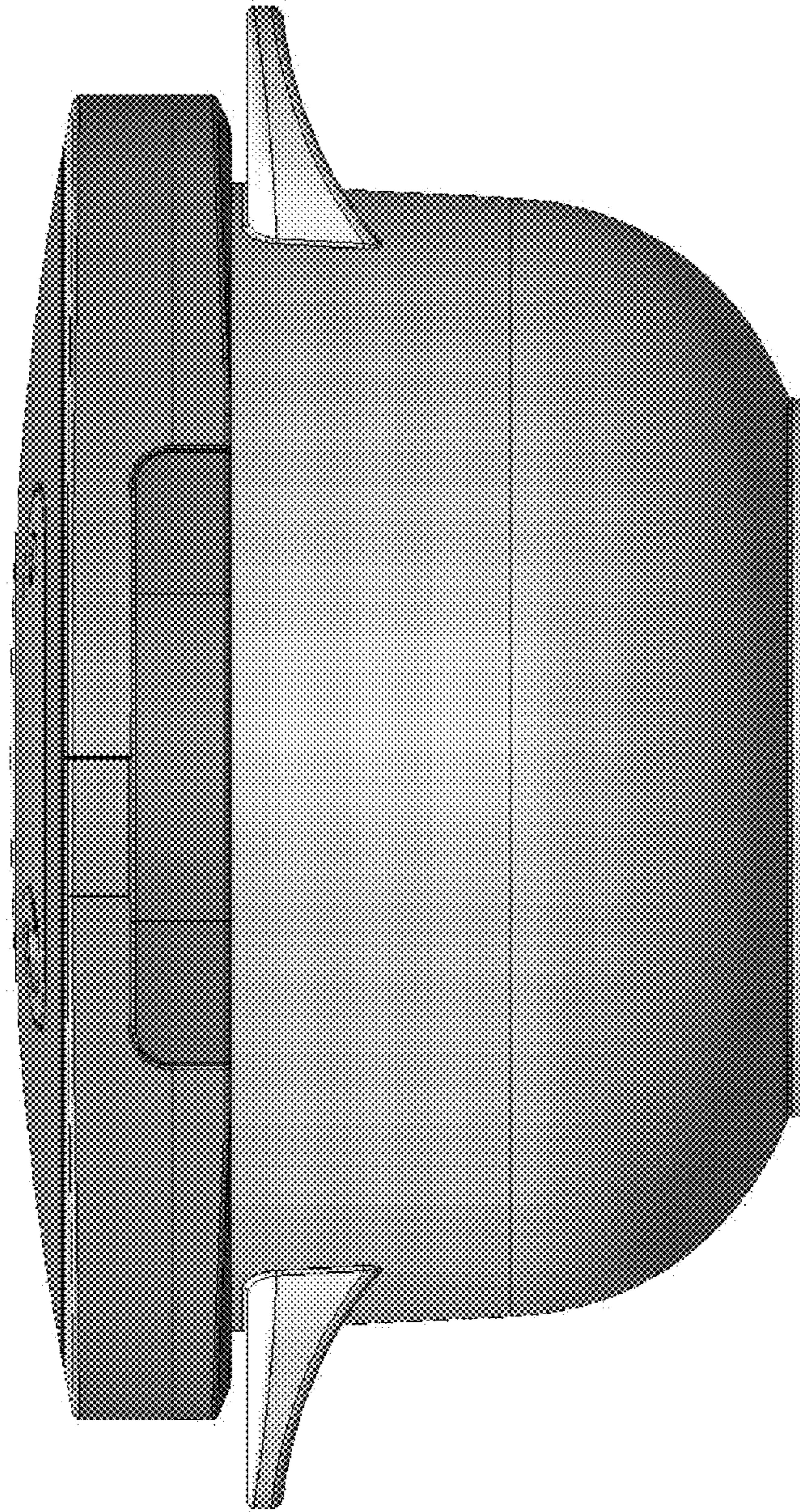


FIG. 3

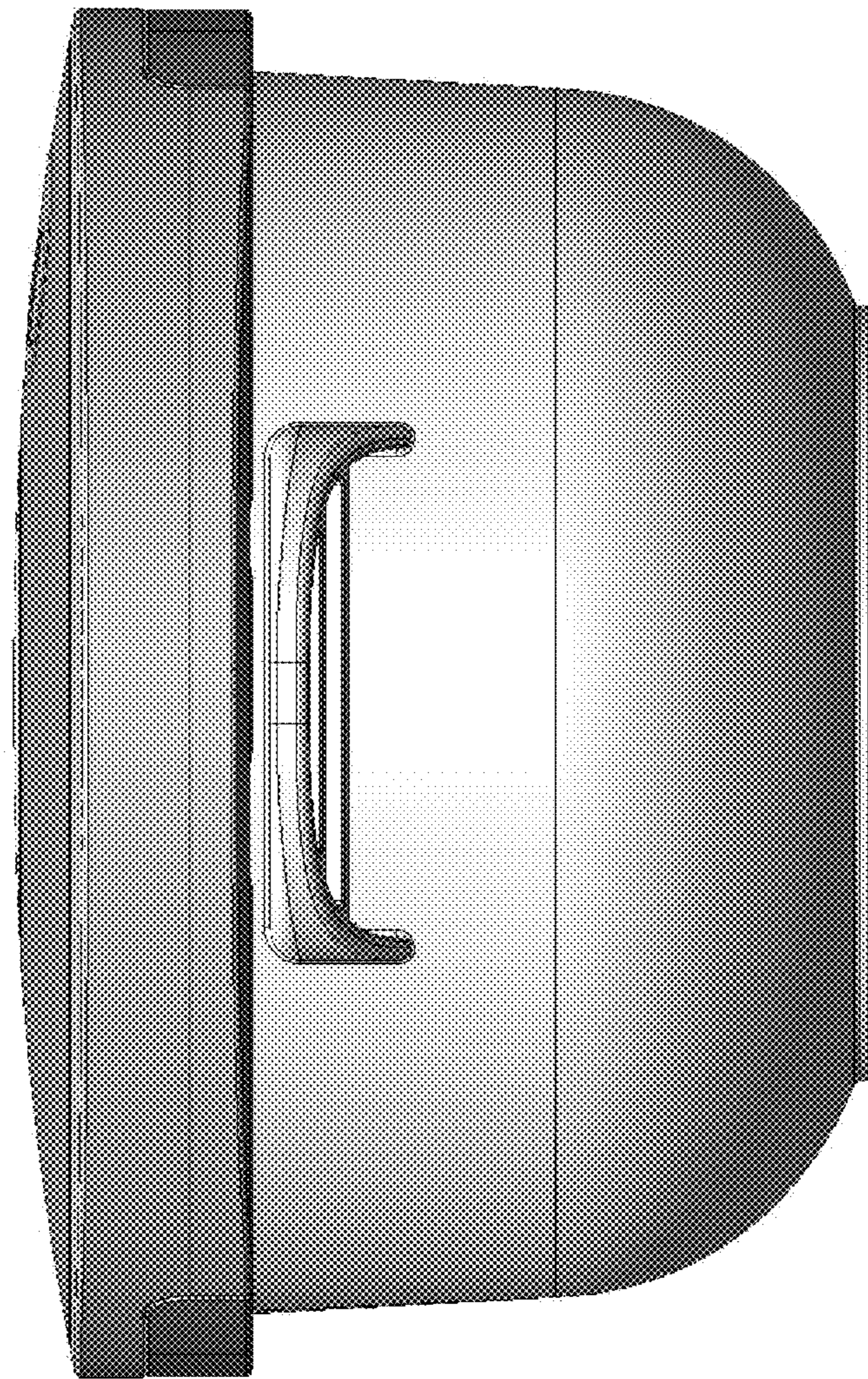


FIG. 4

FIG. 5



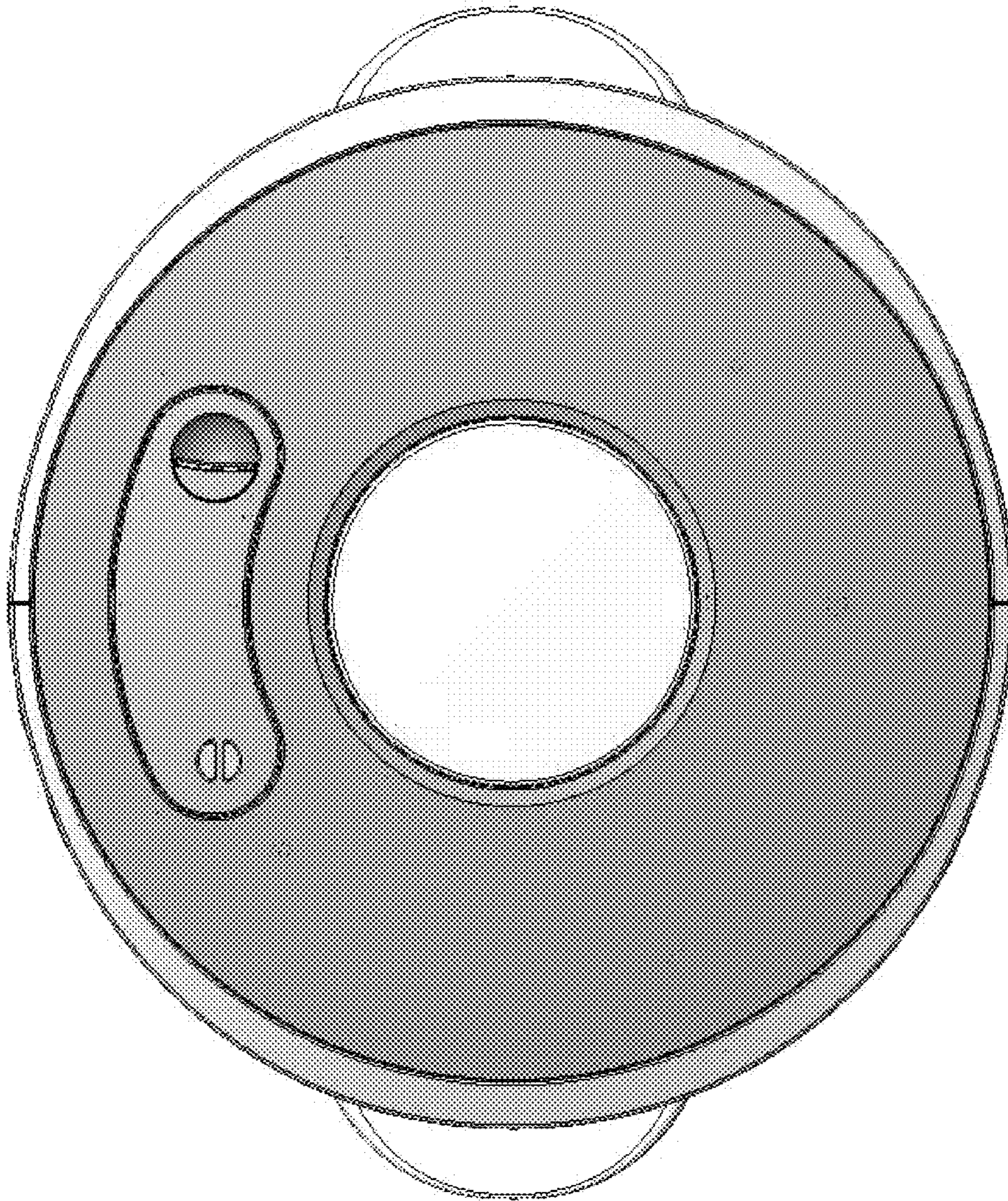


FIG. 6

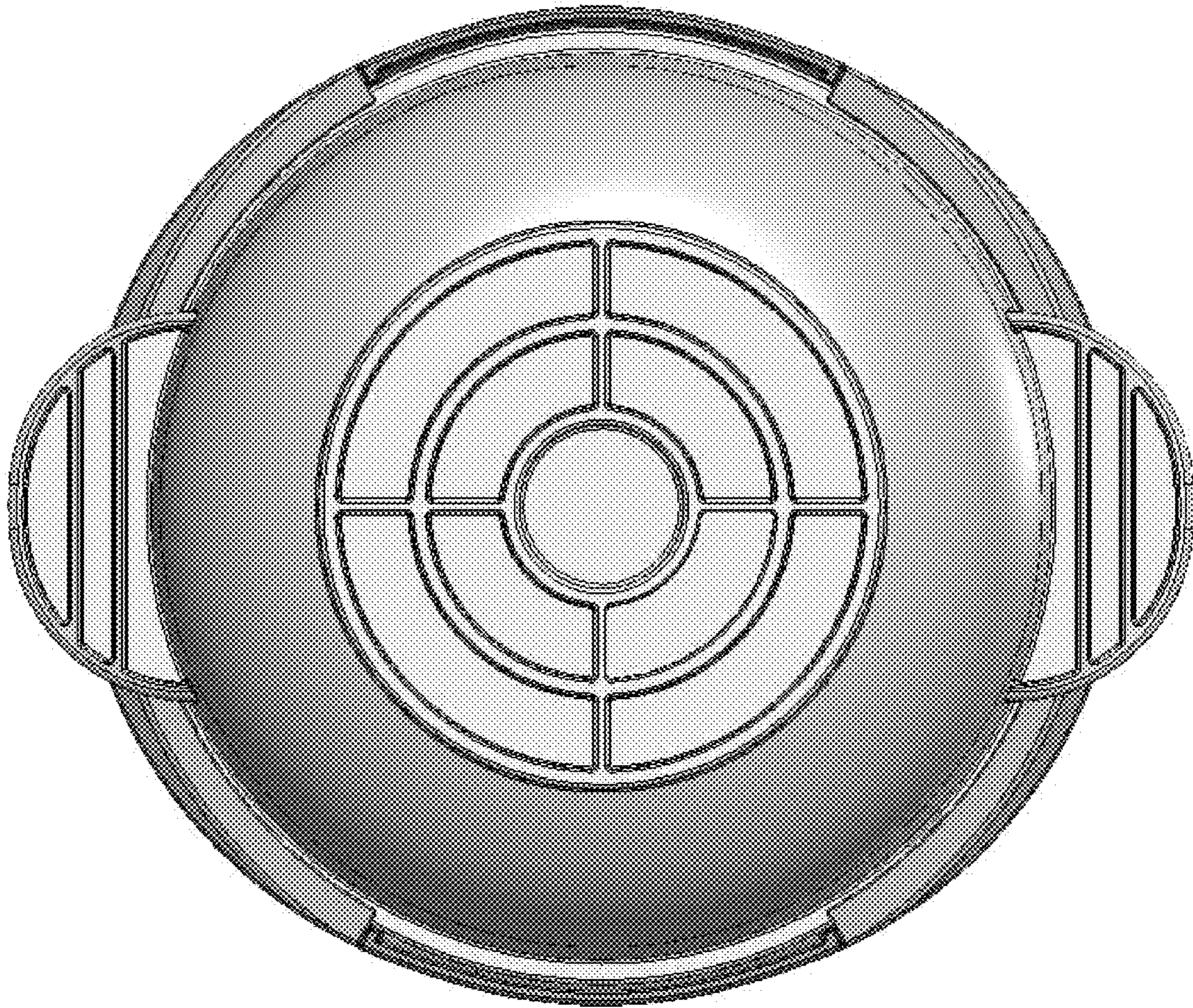


FIG. 7