

US00D734975S

(12) **United States Design Patent**  
**Troyer, Jr.**

(10) **Patent No.:** **US D734,975 S**

(45) **Date of Patent:** **\*\* Jul. 28, 2015**

(54) **SMOKELESS OUTDOOR FIRE PIT**

(71) Applicant: **Dan Troyer, Jr.**, Applecreek, OH (US)

(72) Inventor: **Dan Troyer, Jr.**, Applecreek, OH (US)

(\*\*) Term: **14 Years**

(21) Appl. No.: **29/483,063**

(22) Filed: **Feb. 25, 2014**

(51) **LOC (10) Cl.** ..... **07-02**

(52) **U.S. Cl.**  
USPC ..... **D7/332**

(58) **Field of Classification Search**  
USPC ..... D7/332, 334–337, 402–405, 416–417  
CPC ..... A47J 37/0704; A47J 37/0763; A47J  
37/0745; A47J 37/0713; A23B 4/052; F24C  
3/14; F24C 3/027; F24B 1/205  
See application file for complete search history.

(56) **References Cited**

**U.S. PATENT DOCUMENTS**

2,210,720	A	1/1938	Johnson et al.	
2,419,379	A	11/1942	Tindell, Jr.	
D204,348	S *	4/1966	Shilling	D7/336
3,868,943	A	3/1975	Hottenroth et al.	
3,982,522	A	9/1976	Hottenroth et al.	
D263,918	S *	4/1982	Boyd	D7/336

D264,541	S *	5/1982	Bruveris	D7/336
4,548,193	A *	10/1985	Marogil	126/30
D315,846	S *	4/1991	Hatzenbeller	D7/335
D382,765	S *	8/1997	Kellermann	D7/332
5,797,386	A	8/1998	Orr	
6,298,843	B1 *	10/2001	Olsen et al.	126/30
6,354,288	B1	3/2002	McDonald	
D563,144	S *	3/2008	Melzer et al.	D7/332
D582,197	S *	12/2008	Parmelee	D7/335
2007/0289587	A1 *	12/2007	Eckes	126/30

\* cited by examiner

*Primary Examiner* — Ruth McInroy

(74) *Attorney, Agent, or Firm* — Zollinger & Burleson Ltd.

(57) **CLAIM**

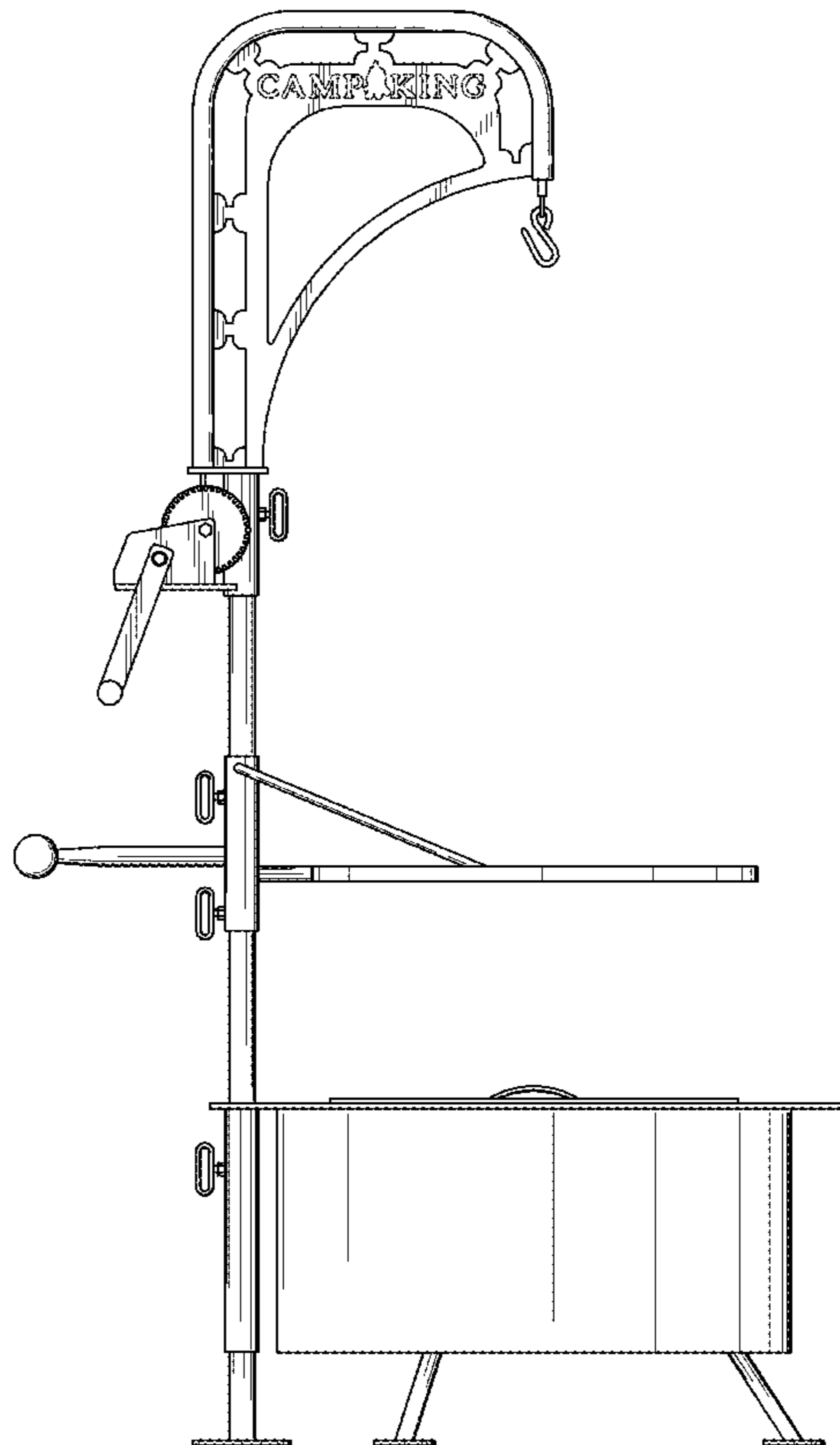
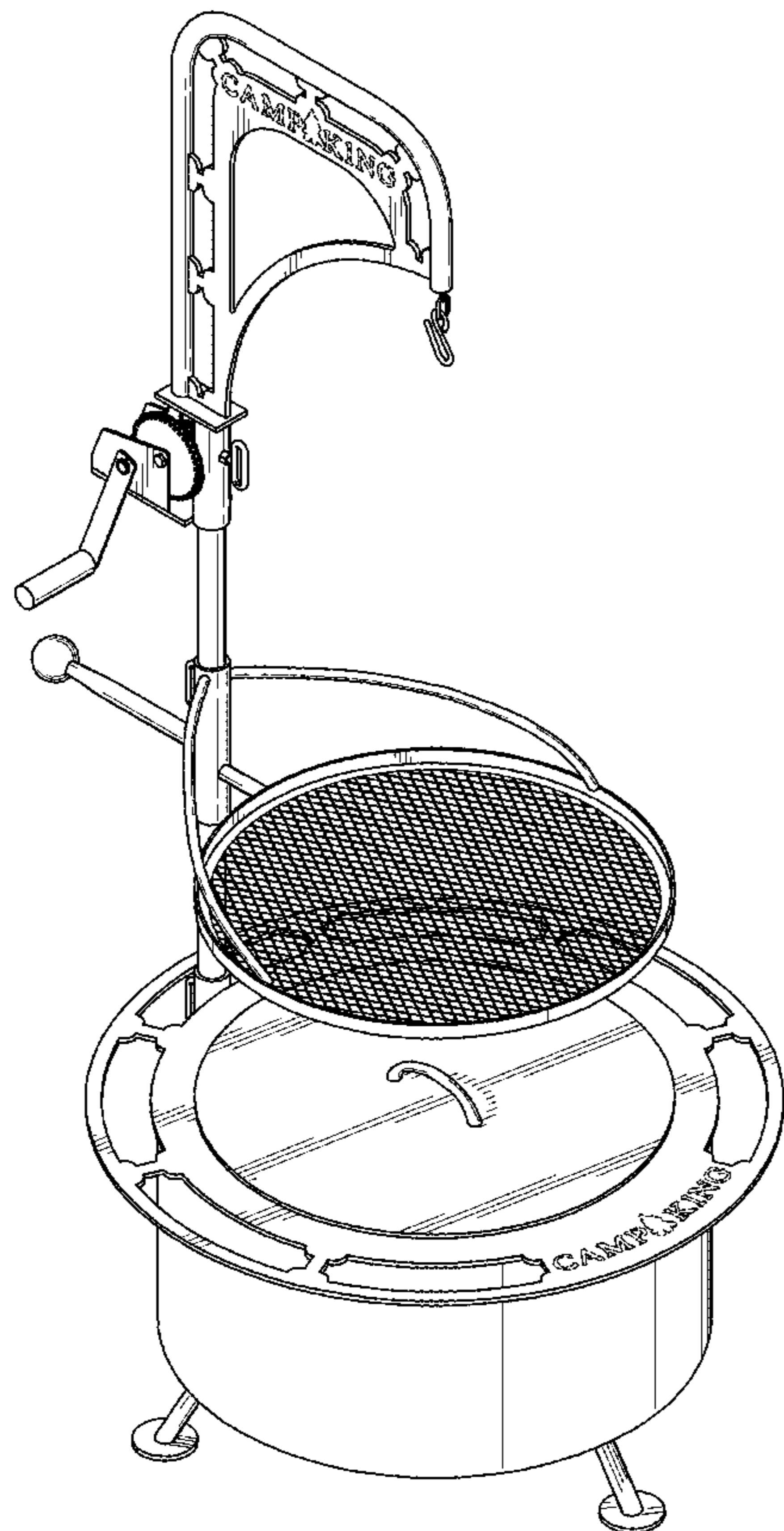
The ornamental design for a smokeless outdoor fire pit, as shown and described.

**DESCRIPTION**

FIG. 1 is a perspective view of a smokeless outdoor fire pit showing my new design;  
FIG. 2 is a front view thereof;  
FIG. 3 is a right side view thereof;  
FIG. 4 is a left side view thereof;  
FIG. 5 is a rear view thereof;  
FIG. 6 is a top view thereof; and,  
FIG. 7 is a bottom view thereof.

The logos depicted in broken lines form no part of the claimed design.

**1 Claim, 6 Drawing Sheets**



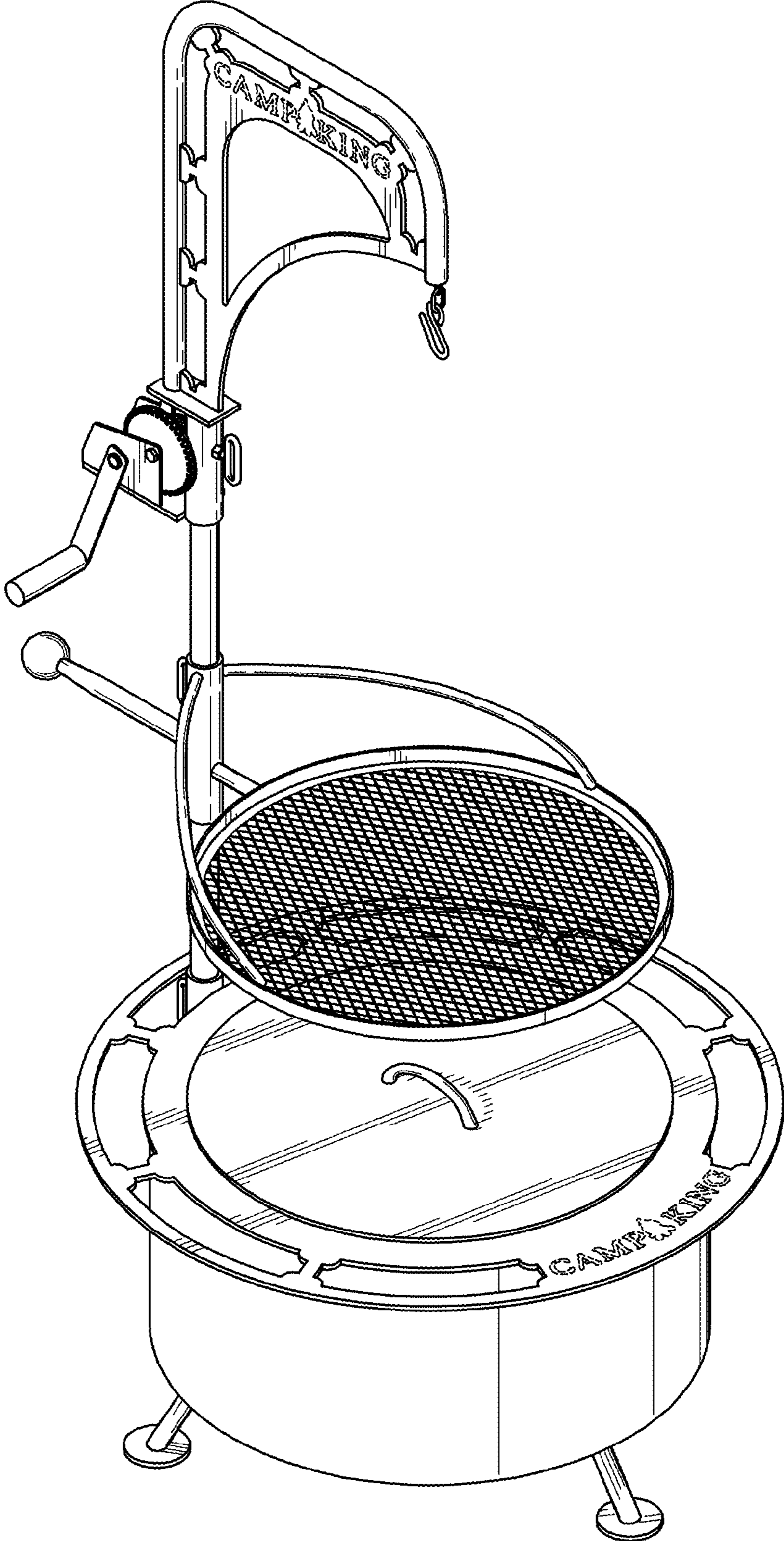


FIG. 1

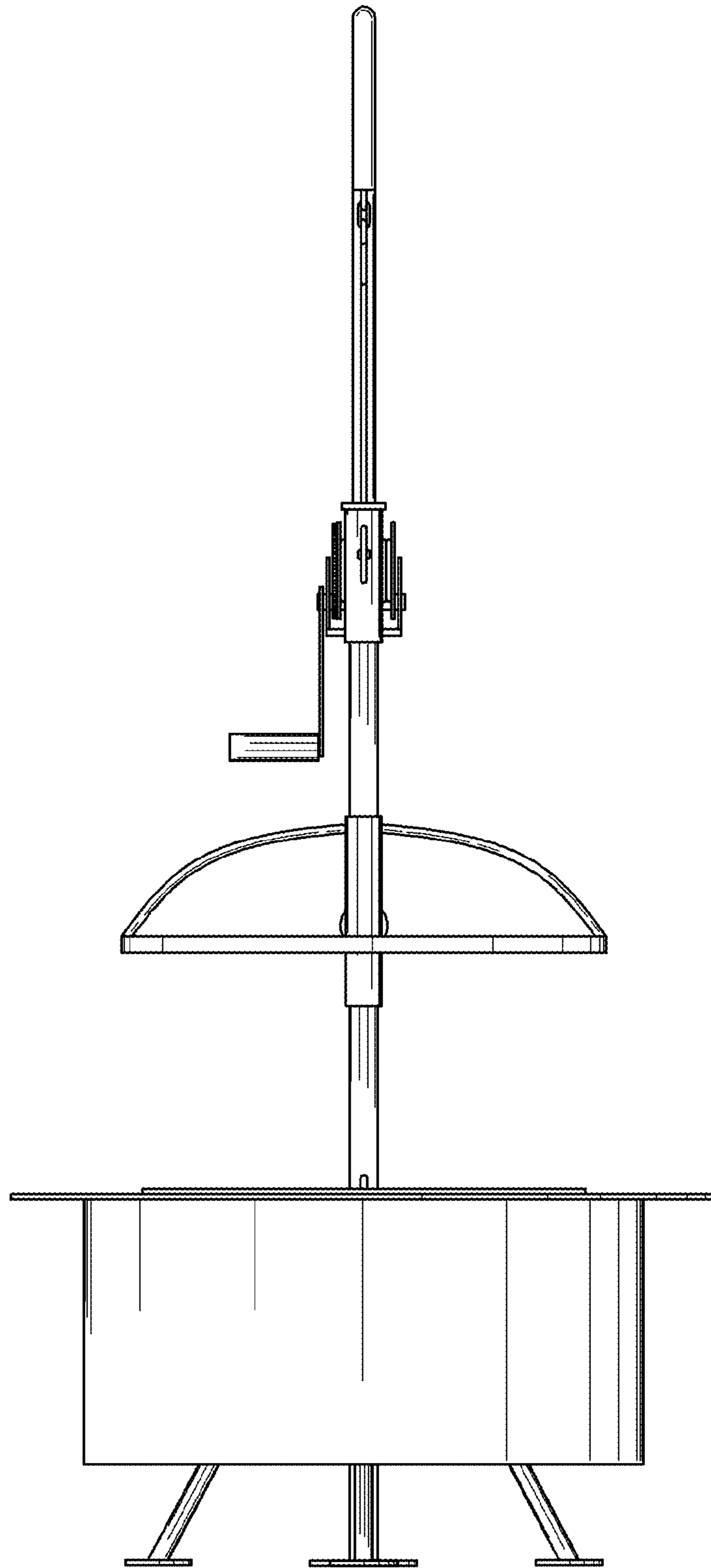


FIG. 2

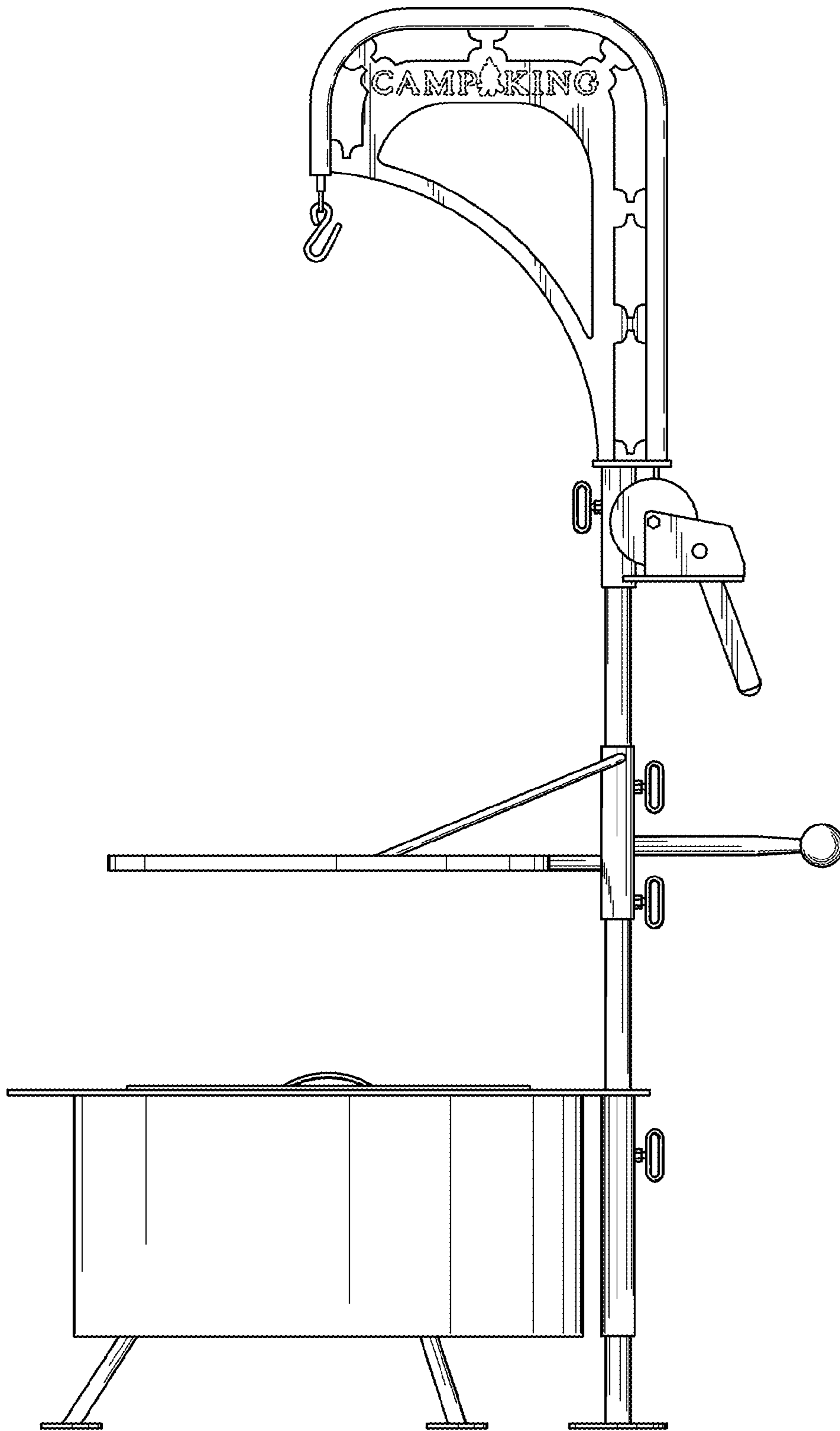


FIG. 3

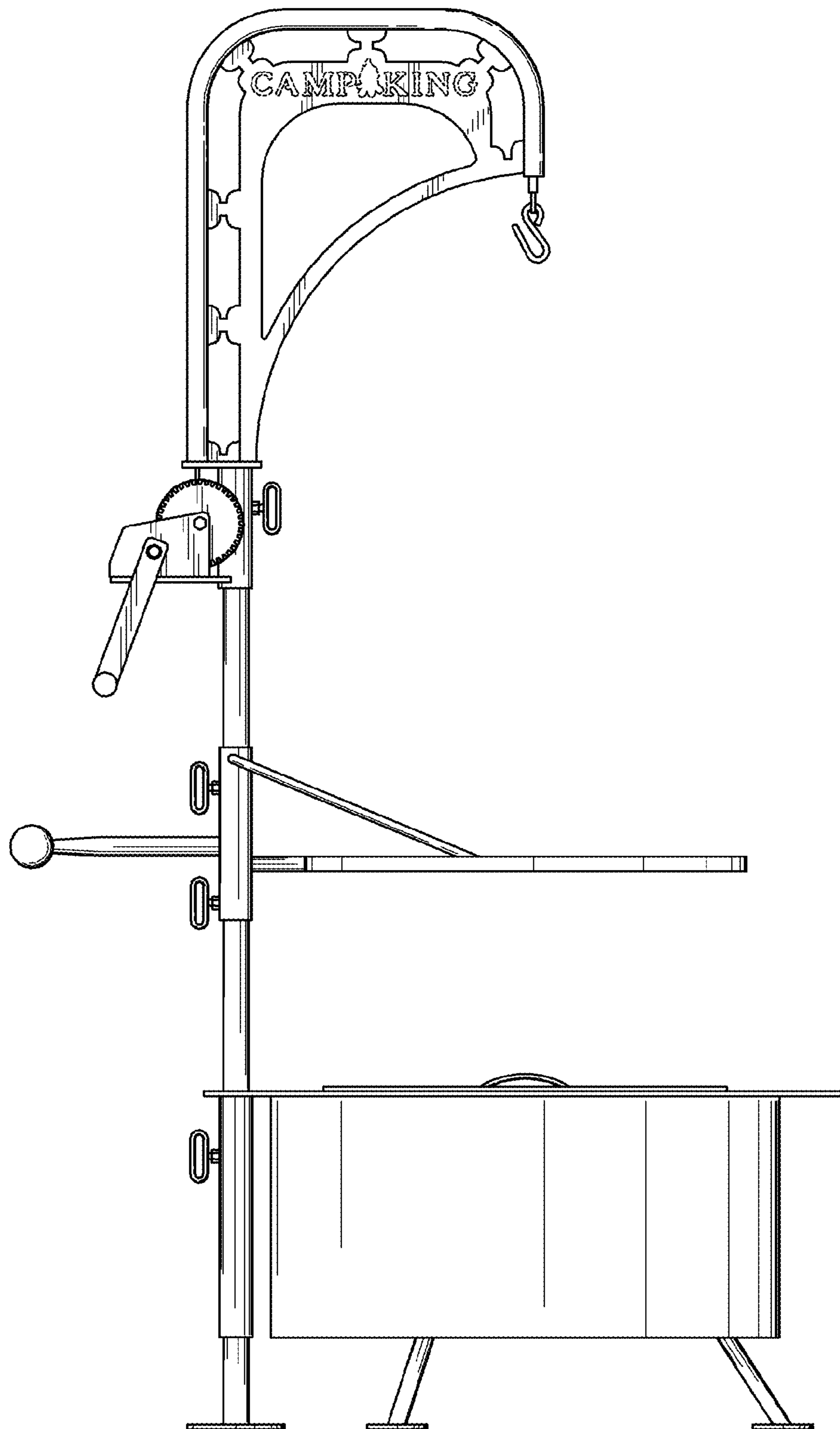


FIG. 4

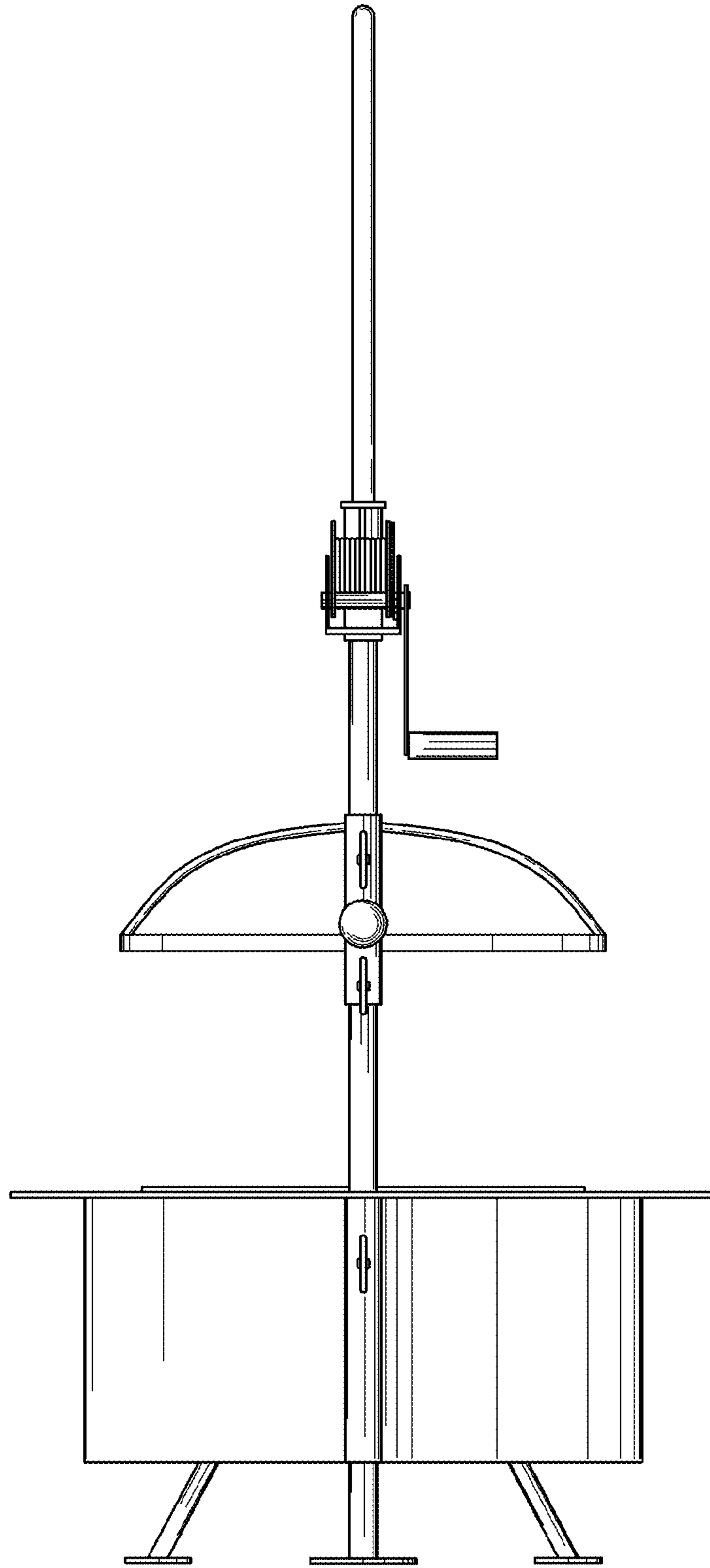


FIG. 5

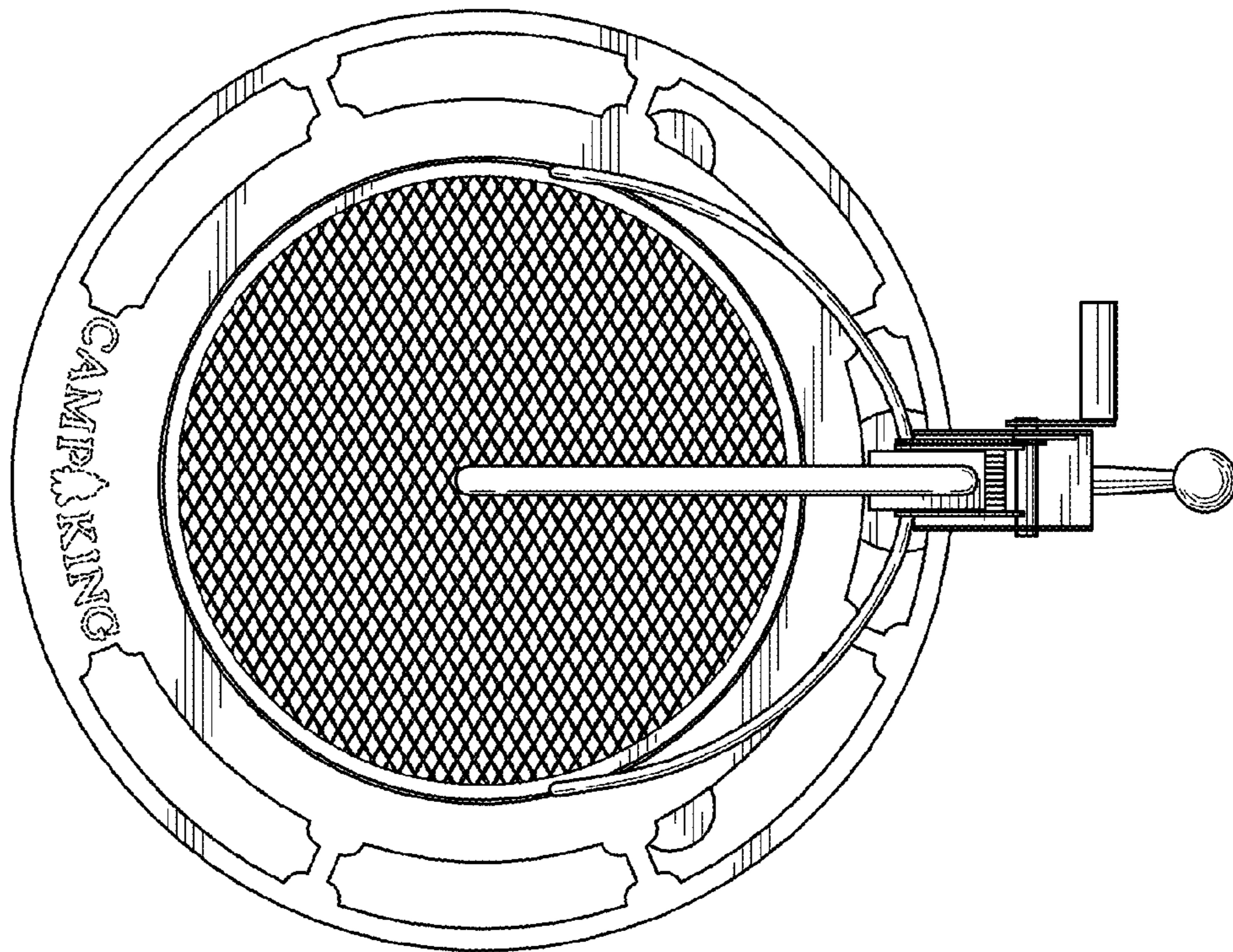


FIG. 6

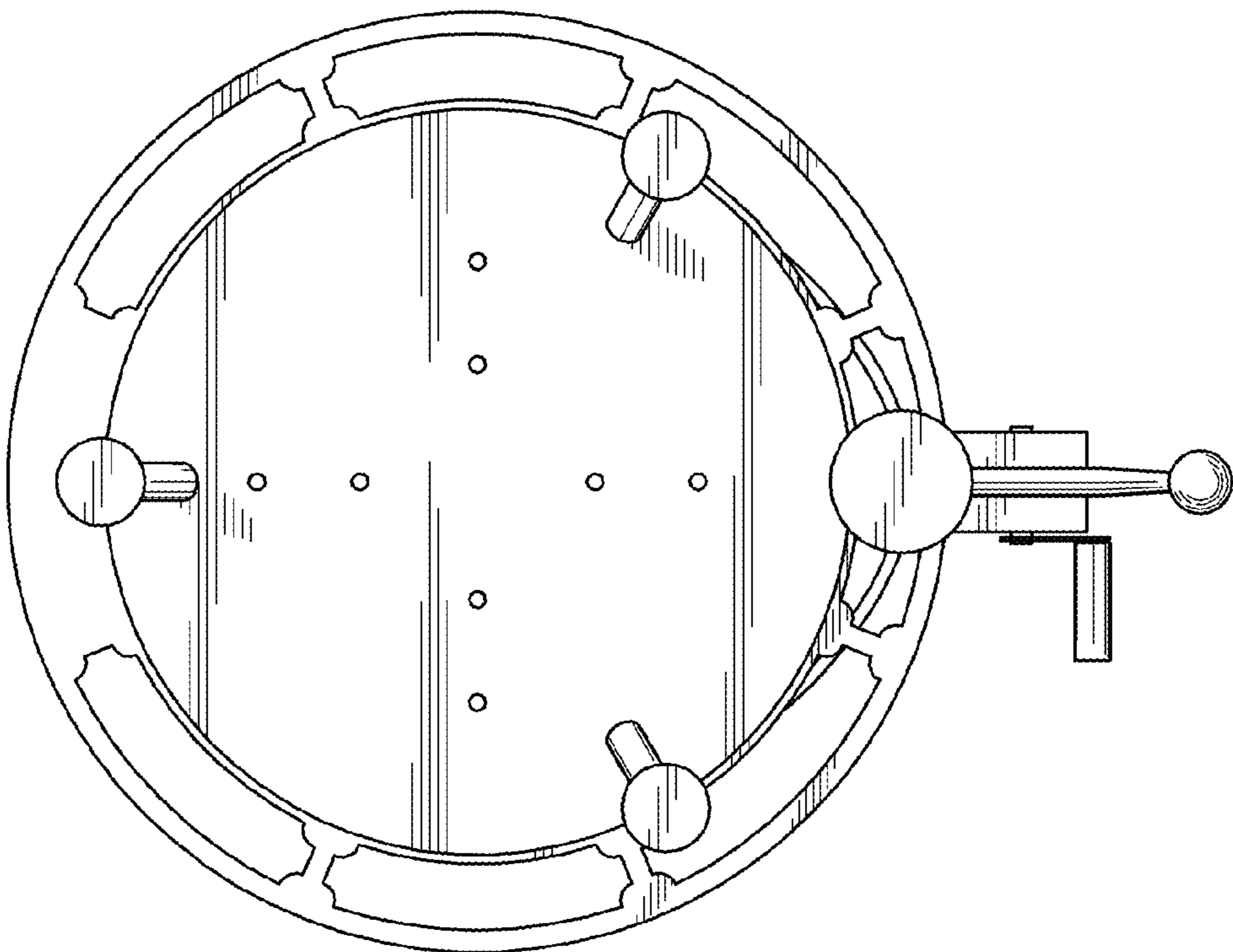


FIG. 7