



US00D734971S

(12) **United States Design Patent**  
**Izawa**

(10) **Patent No.:** **US D734,971 S**  
(45) **Date of Patent:** **\*\* Jul. 28, 2015**

(54) **CHAIR**

(71) Applicant: **OKAMURA CORPORATION**,  
Yokohama-shi, Kanagawa (JP)

(72) Inventor: **Syouichi Izawa**, Yokohama (JP)

(73) Assignee: **Okamura Corporation**, Kanagawa (JP)

(\*\*) Term: **14 Years**

(21) Appl. No.: **29/485,311**

(22) Filed: **Mar. 18, 2014**

(30) **Foreign Application Priority Data**

Sep. 26, 2013 (JP) ..... 2013-022353

(51) **LOC (10) Cl.** ..... **06-01**

(52) **U.S. Cl.**  
USPC ..... **D6/716.4**

(58) **Field of Classification Search**  
USPC ..... D6/334-336, 364, 365, 366, 374, 376,  
D6/379, 380, 716, 716.1, 716.2, 716.4  
CPC ..... A47C 7/54; A47C 7/022; A47C 7/40;  
A47C 7/282; B60N 2/68  
See application file for complete search history.

(56) **References Cited**

**U.S. PATENT DOCUMENTS**

D527,920 S \* 9/2006 Giugiaro ..... D6/366  
D568,057 S \* 5/2008 Igarashi ..... D6/366

D639,576 S \* 6/2011 Breen ..... D6/366  
D666,032 S \* 8/2012 Su ..... D6/716.4  
D671,330 S \* 11/2012 Izawa ..... D6/366  
D671,332 S \* 11/2012 Izawa ..... D6/366  
D671,759 S \* 12/2012 Hurford ..... D6/366  
D689,318 S \* 9/2013 Smith et al. .... D6/716.4  
D701,068 S \* 3/2014 Usumoto et al. .... D6/716  
D724,880 S \* 3/2015 Tsai ..... D6/716.4

\* cited by examiner

*Primary Examiner* — Mimoso De

(74) *Attorney, Agent, or Firm* — Sughrue Mion, PLLC

(57) **CLAIM**

The ornamental design for a chair, as shown and described.

**DESCRIPTION**

FIG. 1 is a perspective view from the front side of a chair.

FIG. 2 is a perspective view from the rear side thereof.

FIG. 3 is a front elevation view thereof.

FIG. 4 is a rear elevation view thereof.

FIG. 5 is a right side elevation view thereof.

FIG. 6 is a left side elevation view thereof.

FIG. 7 is a top plan view thereof; and,

FIG. 8 is a bottom plan view thereof.

The portions of the chair shown in broken lines are for the purpose of showing environmental structure only and form no part of the claimed design. The backrest sheet of the chair is made of mesh and the mesh pattern of the backrest sheet forms no part of the claimed design.

**1 Claim, 8 Drawing Sheets**

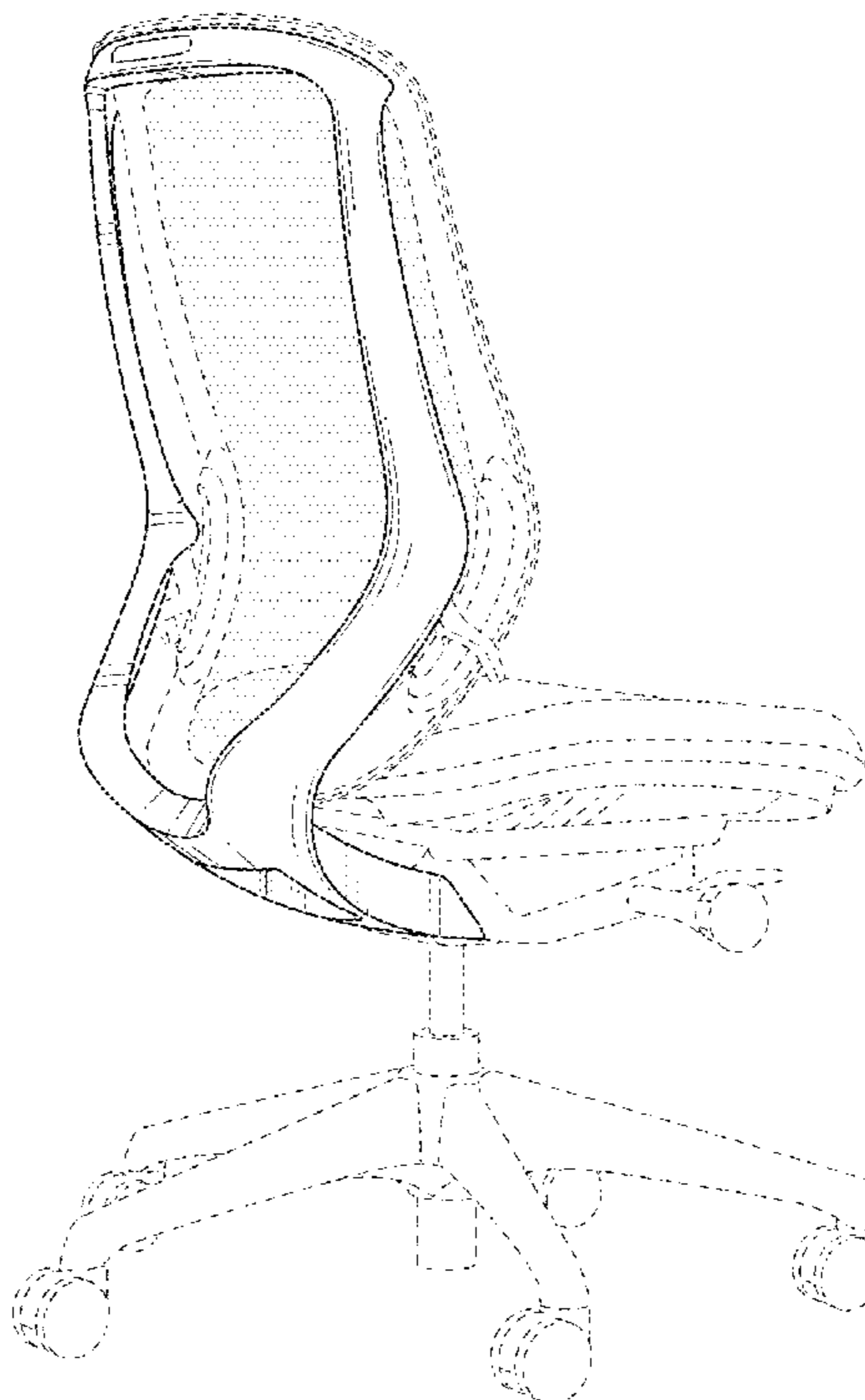
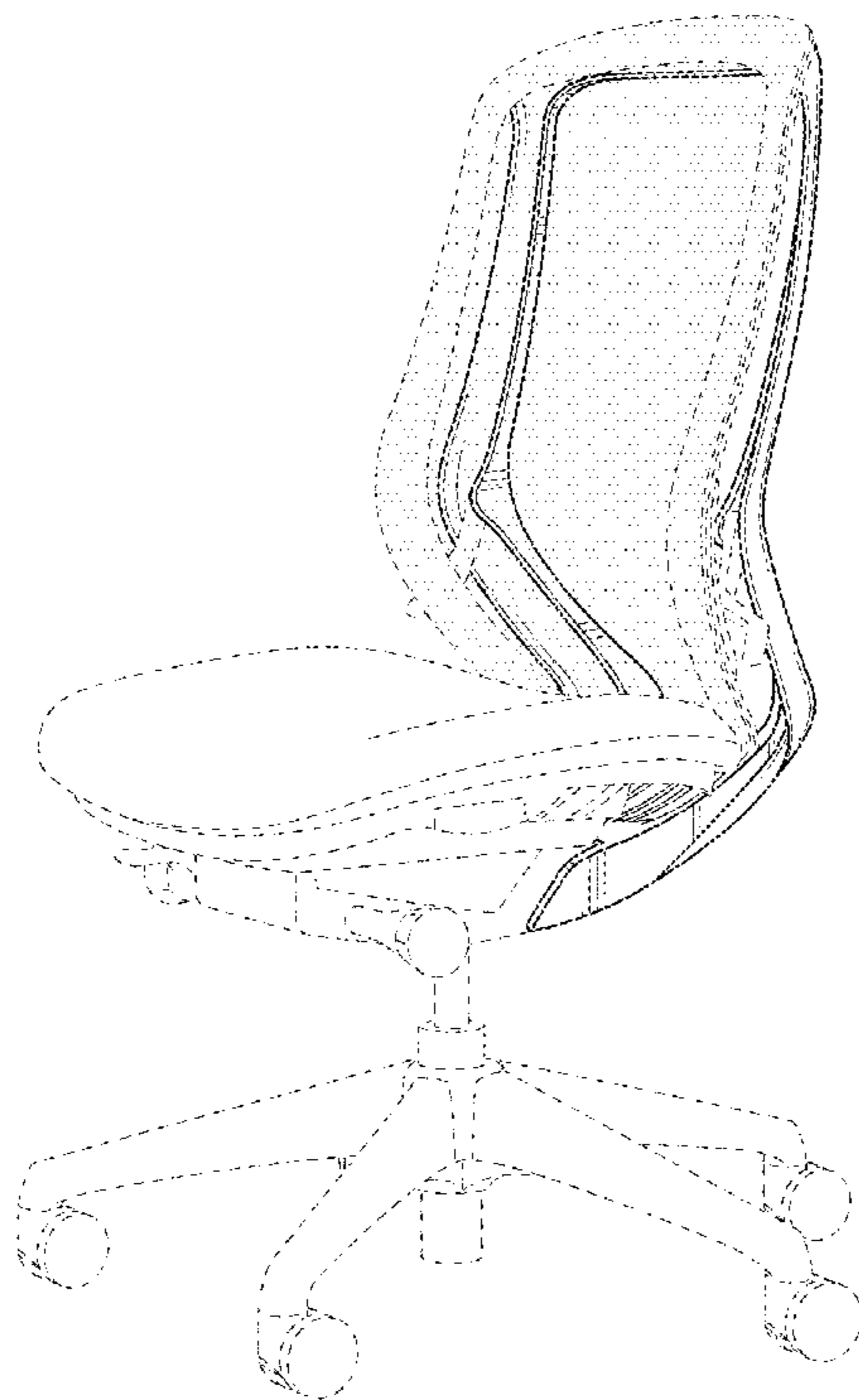


FIG. 1

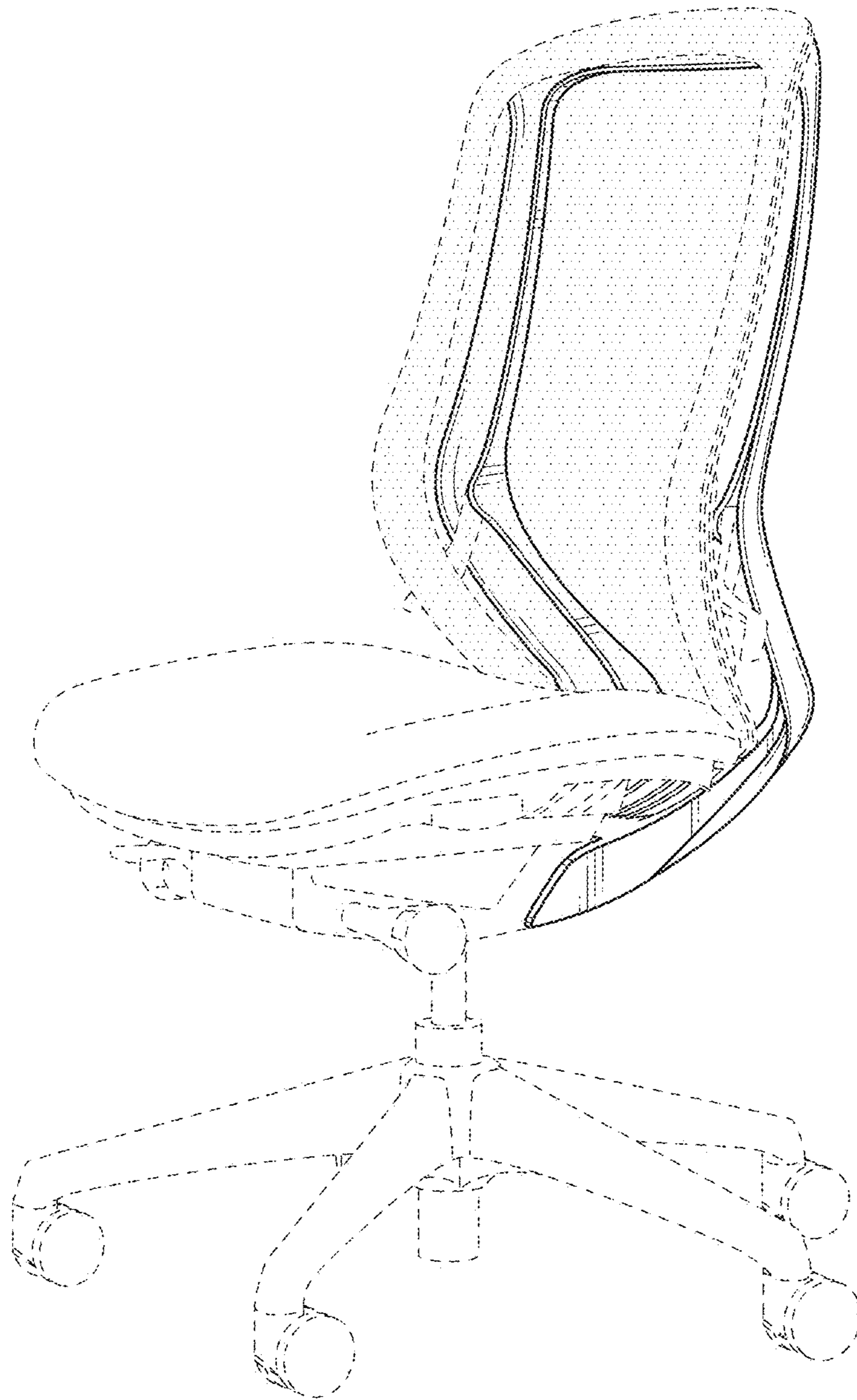


FIG. 2

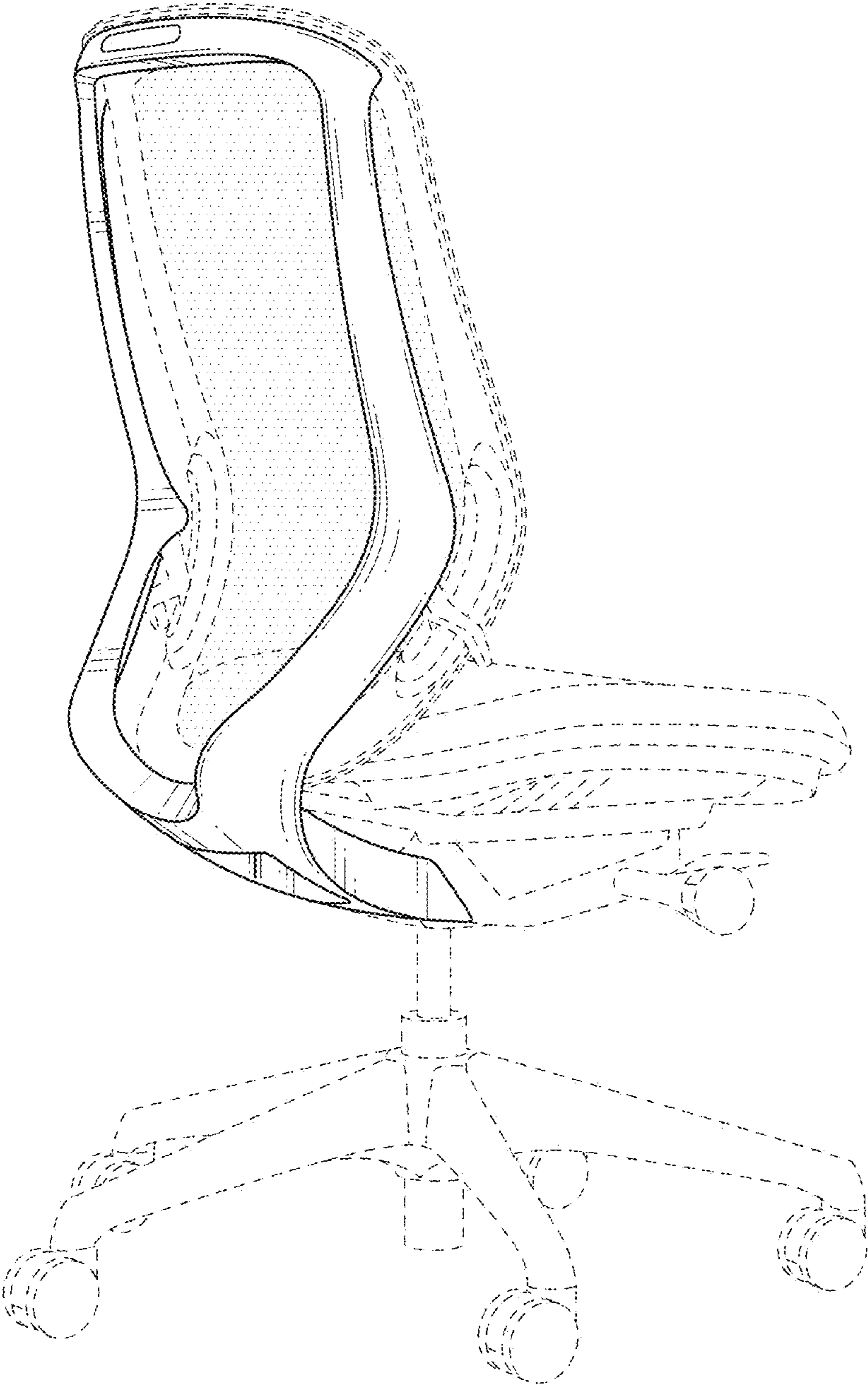


FIG. 3

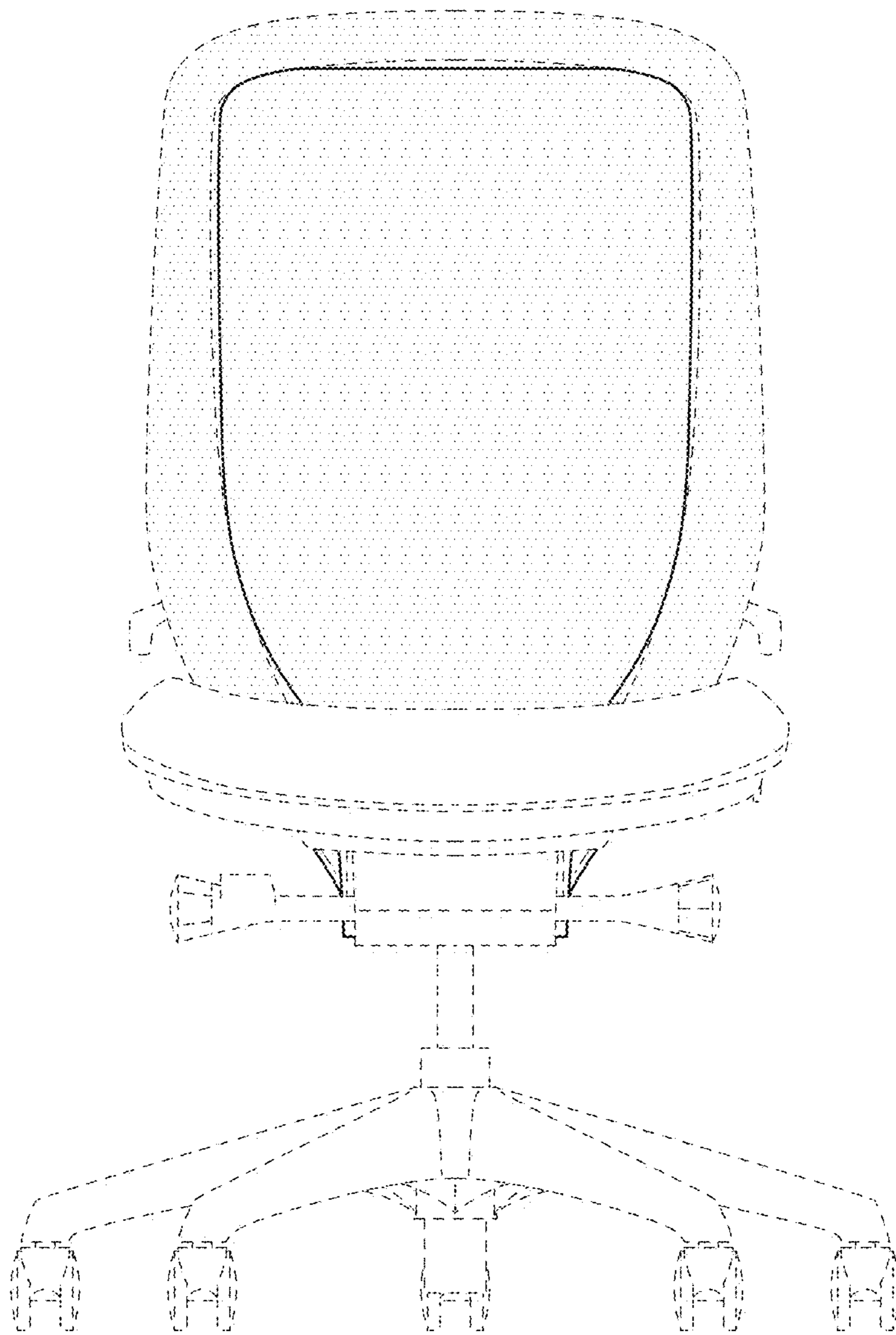


FIG. 4

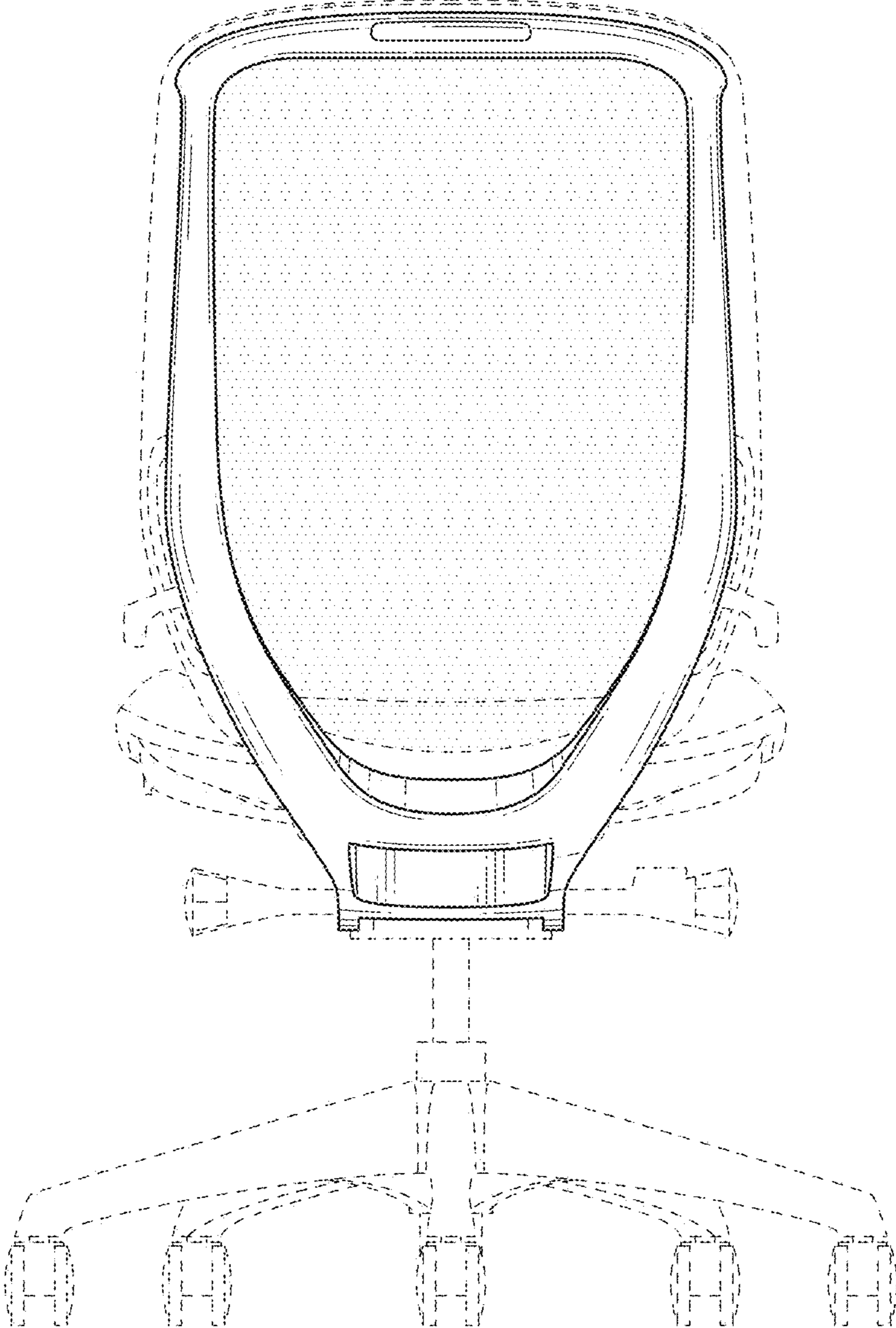


FIG. 5

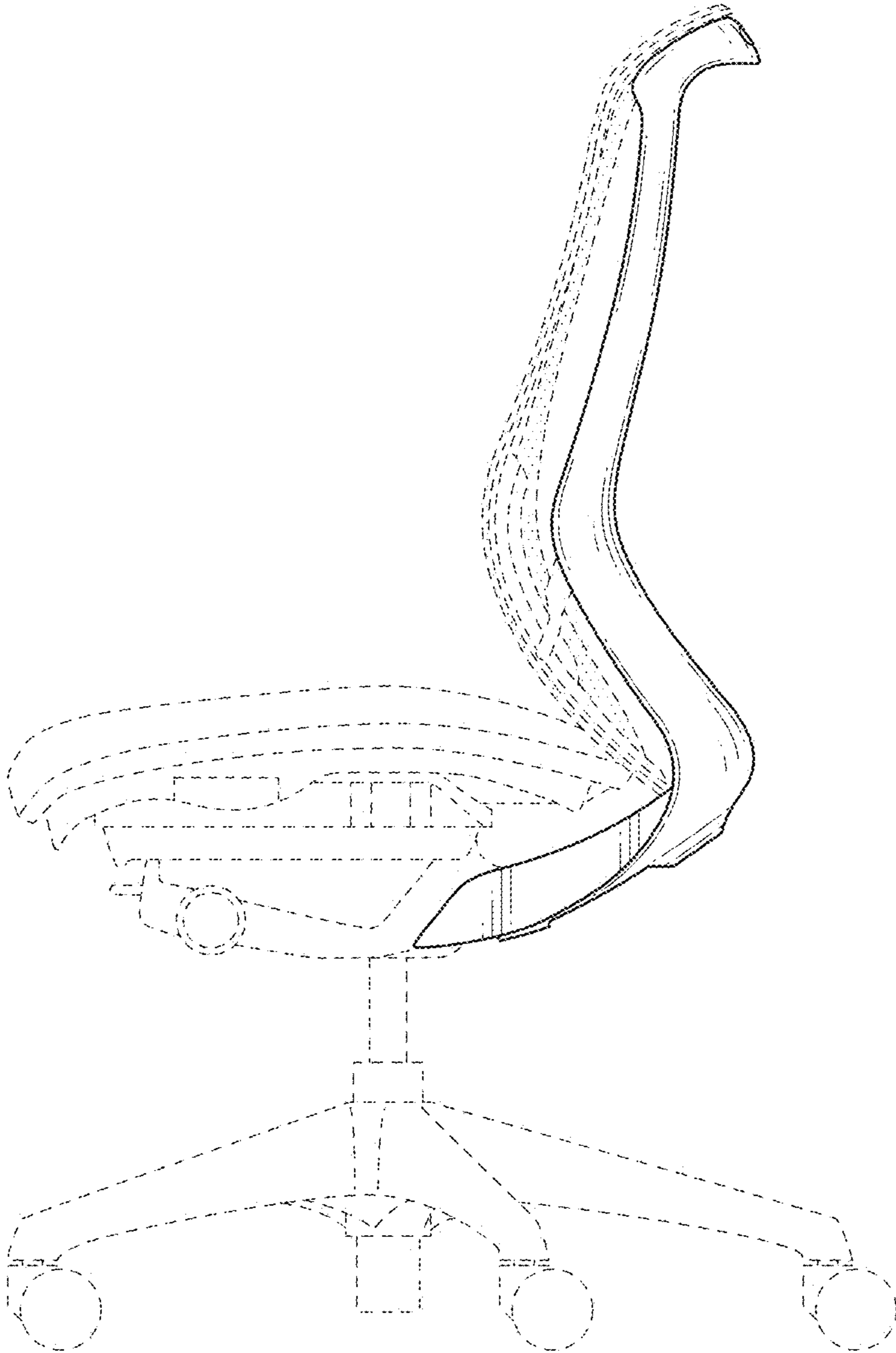


FIG. 6

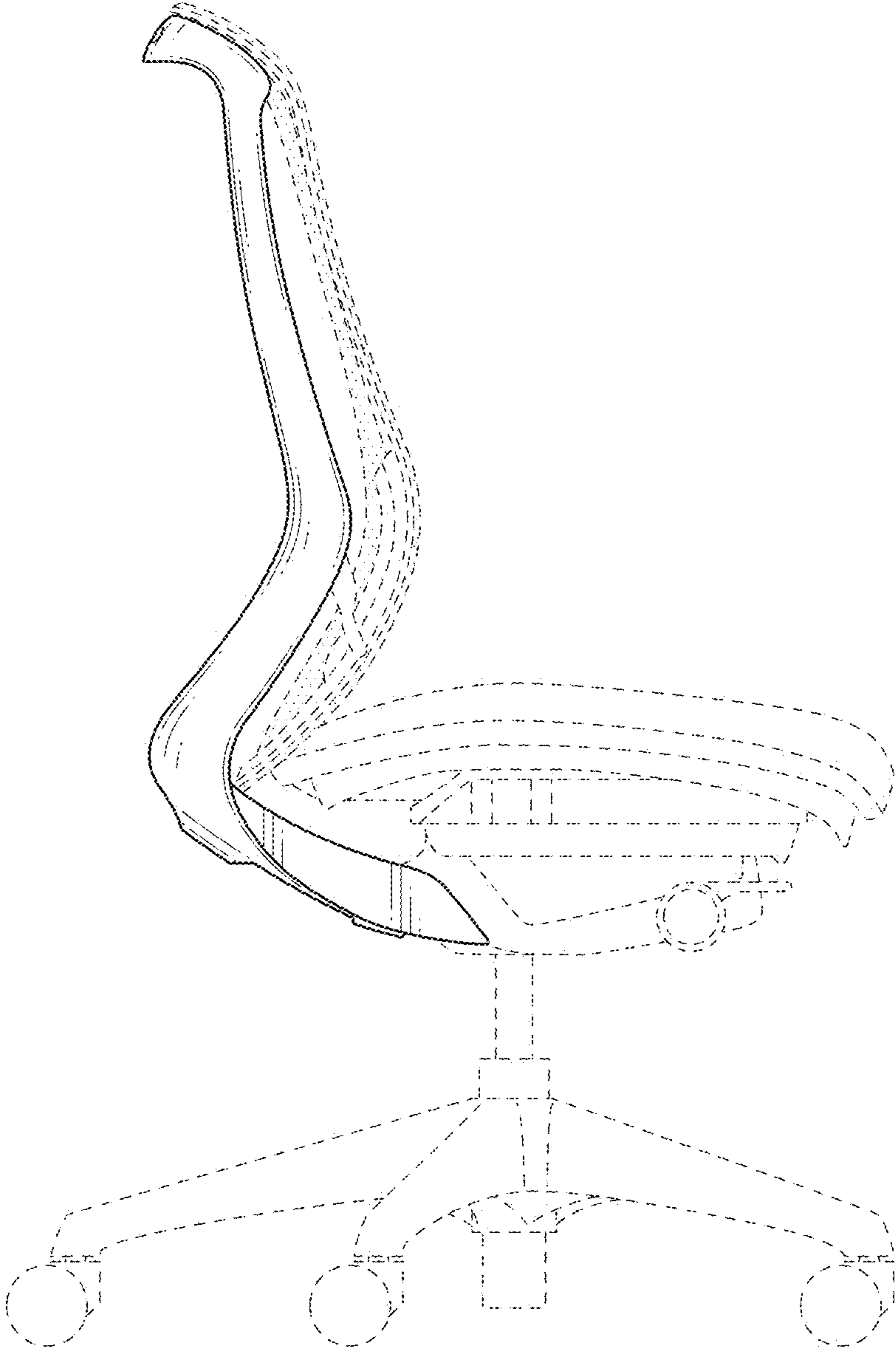


FIG. 7

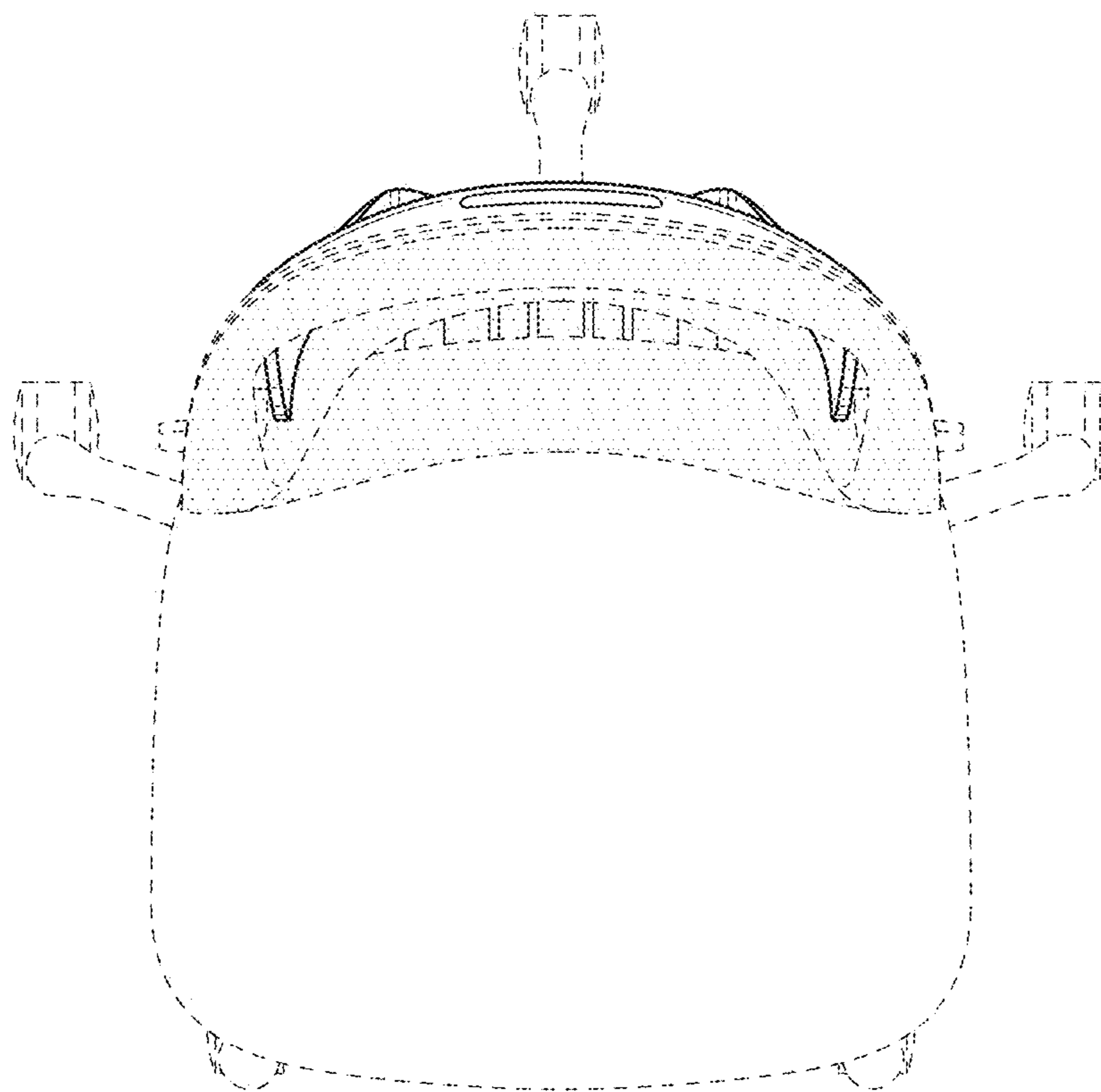




FIG. 8

