

US00D734970S

(12) **United States Design Patent**
Mulholland et al.

(10) **Patent No.:** **US D734,970 S**
(45) **Date of Patent:** **** Jul. 28, 2015**

(54) **CHAIR**

(71) Applicant: **Target Brands, Inc.**, Minneapolis, MN (US)

(72) Inventors: **Joel W. Mulholland**, St. Paul, MN (US);
Joel T. Bodkin, Minneapolis, MN (US);
Jillian V. Lustig, Minneapolis, MN (US)

(73) Assignee: **Target Brands, Inc.**, Minneapolis, MN (US)

(**) Term: **14 Years**

(21) Appl. No.: **29/499,531**

(22) Filed: **Aug. 15, 2014**

(51) **LOC (10) Cl.** **06-01**

(52) **U.S. Cl.**
USPC **D6/716; D6/370**

(58) **Field of Classification Search**
USPC D6/334-336, 370, 376, 379, 380, 716,
D6/716.1, 716.2, 716.3, 716.4
CPC A47C 4/02; A47C 4/03; A47C 5/06;
A47C 7/16
See application file for complete search history.

(56) **References Cited**

U.S. PATENT DOCUMENTS

D248,700 S	8/1978	Moser	
D293,171 S	12/1987	Lübke	
D341,262 S	11/1993	Berlic	
D356,696 S *	3/1995	Arthur, Jr.	D6/376
D358,720 S *	5/1995	Tzeng	D6/370

D512,572 S	12/2005	Peterson et al.	
D513,455 S *	1/2006	Risdon	D6/370
D514,359 S *	2/2006	Risdon	D6/716.4
D551,460 S *	9/2007	Moser	D6/380
D718,550 S *	12/2014	Ye	D6/370

OTHER PUBLICATIONS

Amsterdam Modern, "Tapiovaara Style Spindle Back Dining Chairs," <http://amsterdammodern.com/categories/15-ARCHIVE/21437-tapiovaara-style-spindle-back-dining-chairs-by-pastoe>, at least as early as Jun. 2014, 1 page.

(Continued)

Primary Examiner — Mimoso De

(74) *Attorney, Agent, or Firm* — Leanne Taveggia Farrell; Westman, Champlin & Koehler, P.A.

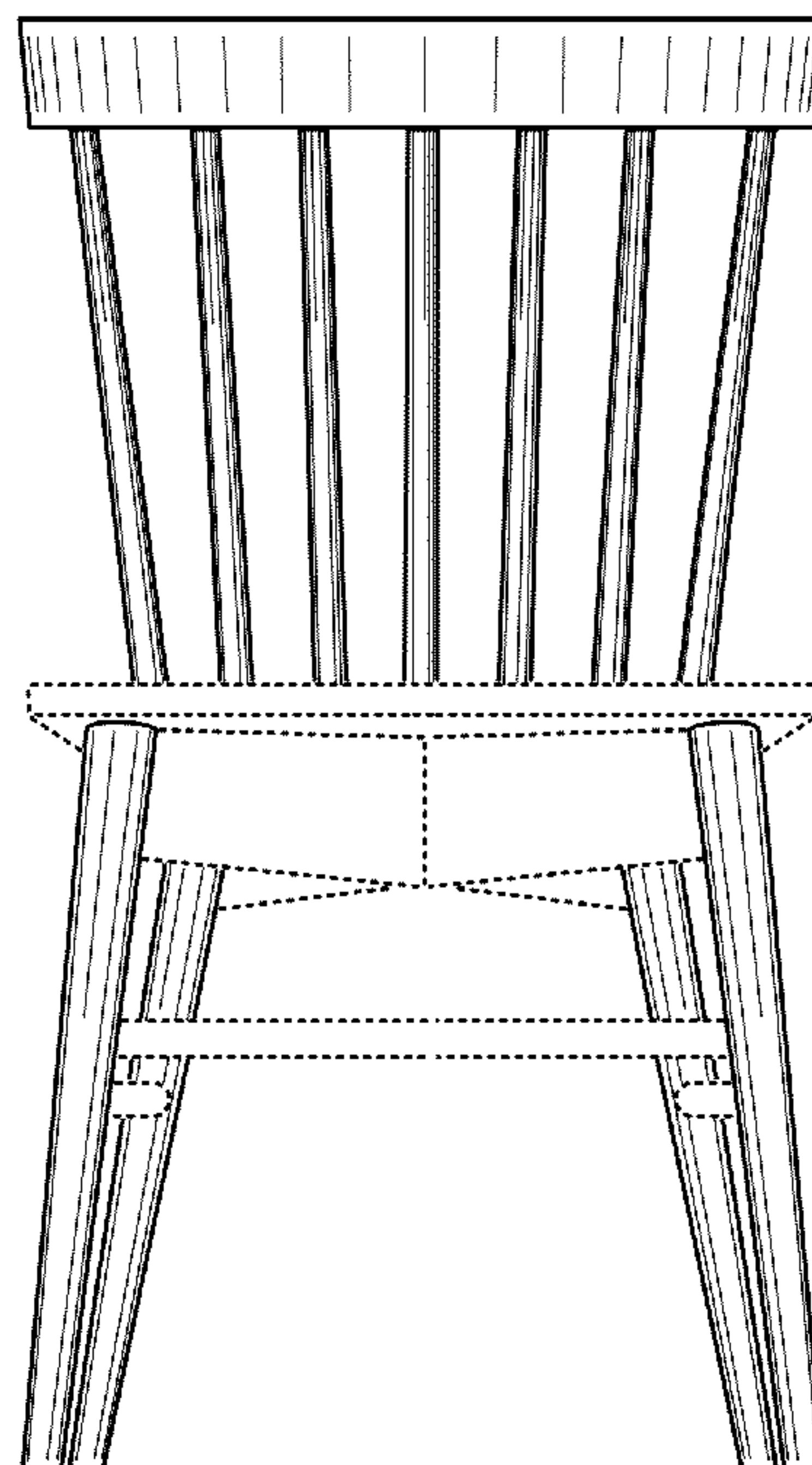
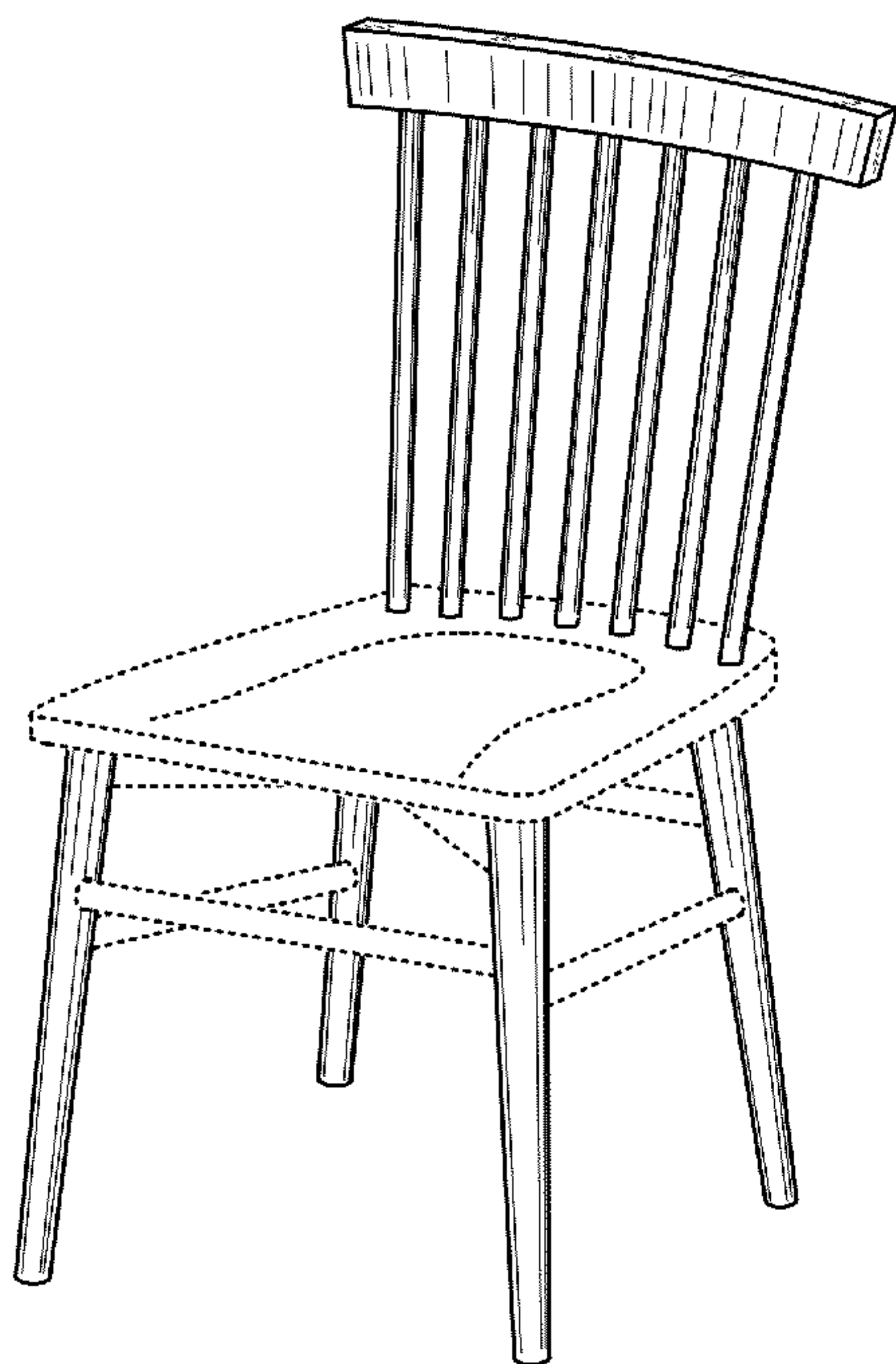
(57) **CLAIM**

The ornamental design for a chair, as shown and described.

DESCRIPTION

FIG. 1 is a perspective view of a chair showing our new design;
FIG. 2 is a left side view thereof, the right side view being a mirror image;
FIG. 3 is a front view thereof;
FIG. 4 is a back view thereof;
FIG. 5 is a top view thereof; and,
FIG. 6 is a bottom view thereof.
The broken lines shown in the drawings are included for purposes of illustrating portions of the chair and form no part of the claimed design.

1 Claim, 5 Drawing Sheets



(56)

References Cited

OTHER PUBLICATIONS

Windsor Chair Plans, "Contemporary Comb Side Chair," <http://windsorchairplans.com/contemporary-comb-side-chair/>, at least as early as Jun. 2014, 1 page.

Garden Trading, "Spindle Back Chair," <http://www.gardentrading.co.uk/furniture/indoor-furniture/spindle-back-chair-raw-oak.html#.U5HFGnJ9xLM>, at least as early as Jun. 2014, 1 page.

Overstock, "Safavieh Country Lifestyle Spindle Back Natural Brown Dining Chair," <http://www.overstock.com/Home-Garden/Safavieh-Country-Lifestyle-Spindle-Back-Natural-Brown-Dining-Chair-Set-of-2/6423293/product.html>, at least as early as Jun. 2014, 1 page.

Wikimedia Commons, "Swedish Windsor Chairs," http://commons.wikimedia.org/wiki/File:Swedish_Windsor_Chairs.jpg, at least as early as Jun. 2014, 1 page.

Room&Board, "Thatcher Side Chair," <http://www.roomandboard.com/catalog/dining/chairs/thatcher-chairs;jsessionid=A7F159D68C86ED72CEC4576060125EAA>, at least as early as Jun. 2014, 1 page.

Office Action from Canadian Patent Application No. 159,940, mailed Apr. 9, 2015 (2 pages).

* cited by examiner

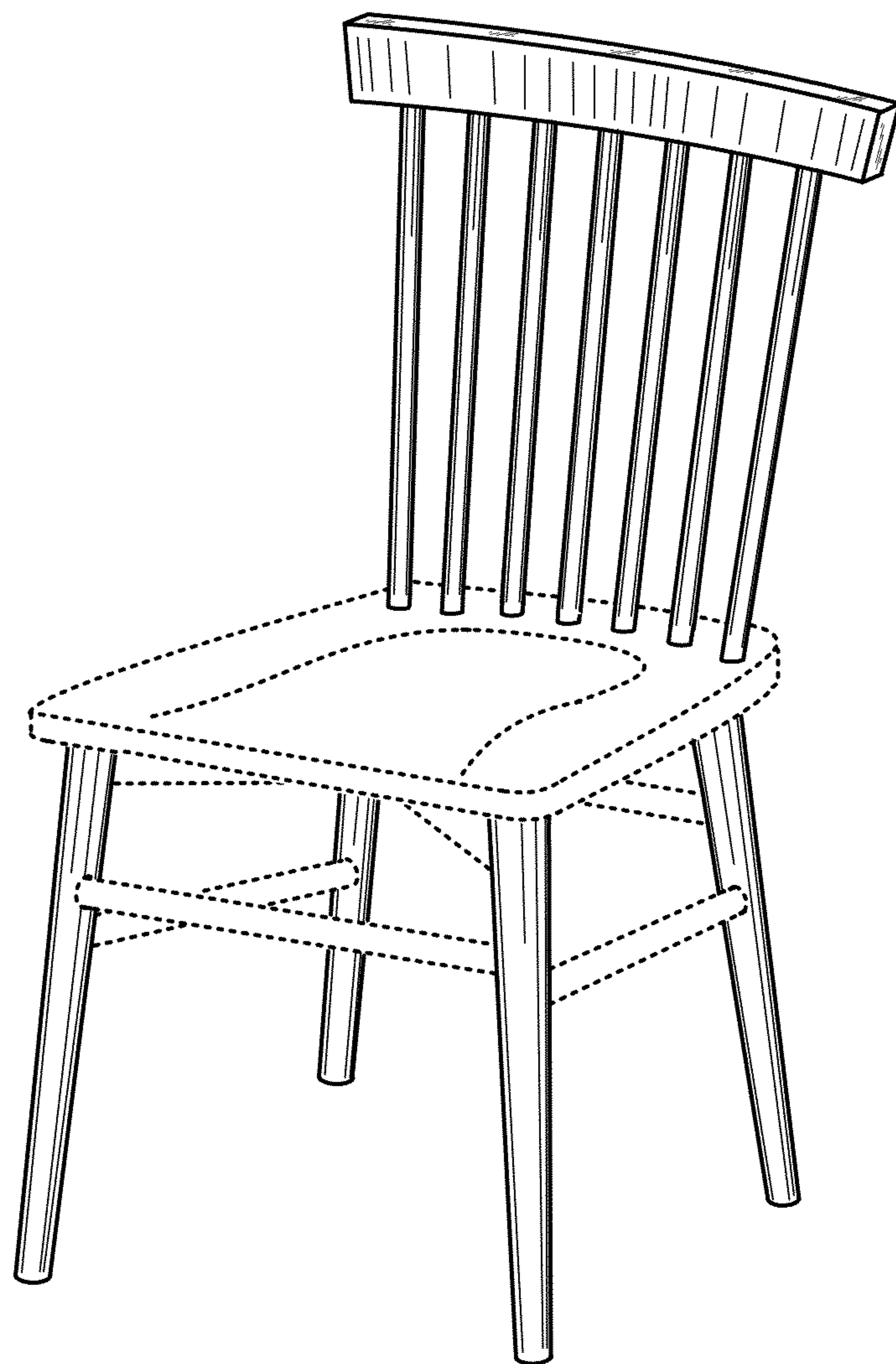


FIG. 1

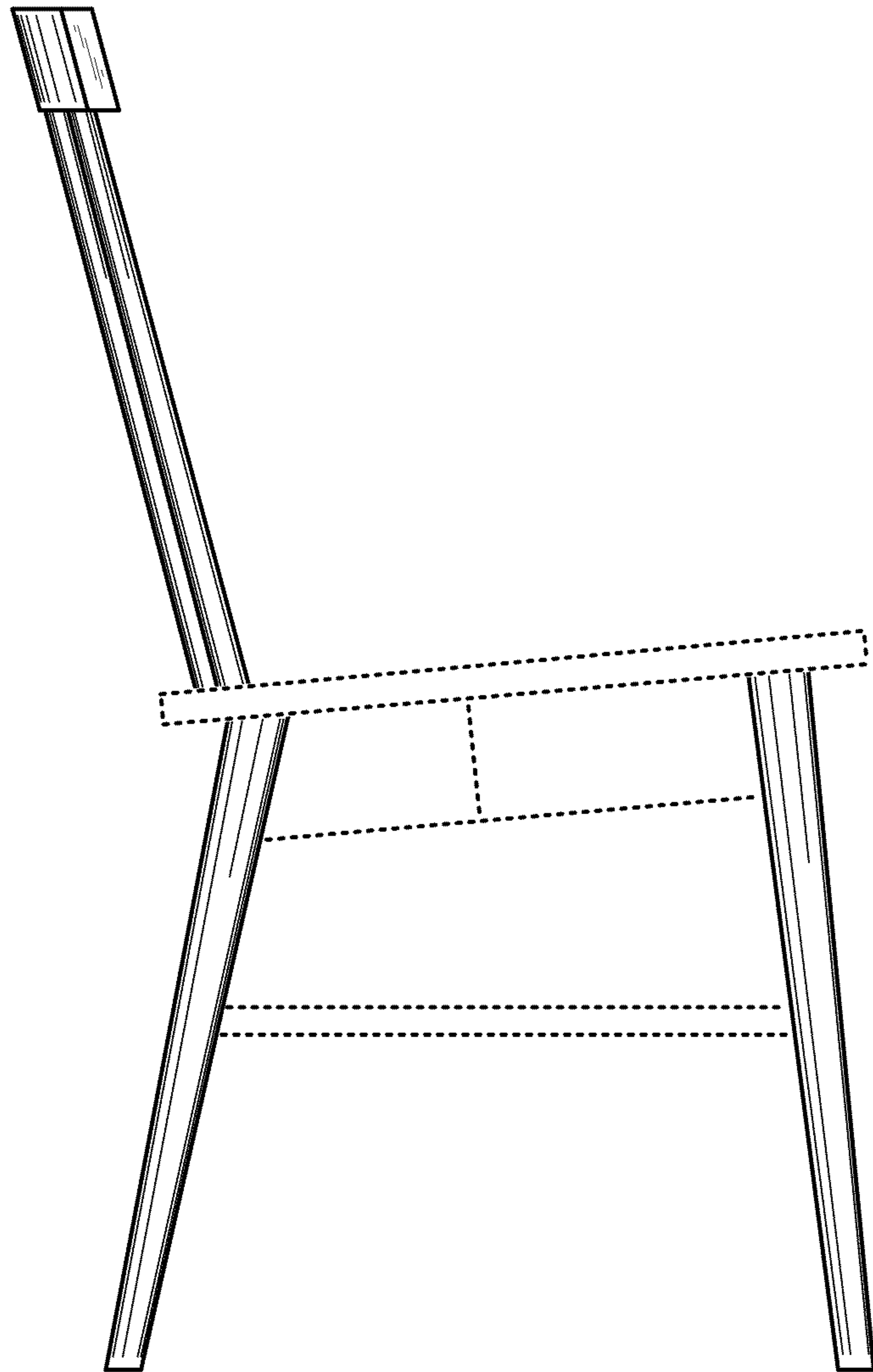


FIG. 2

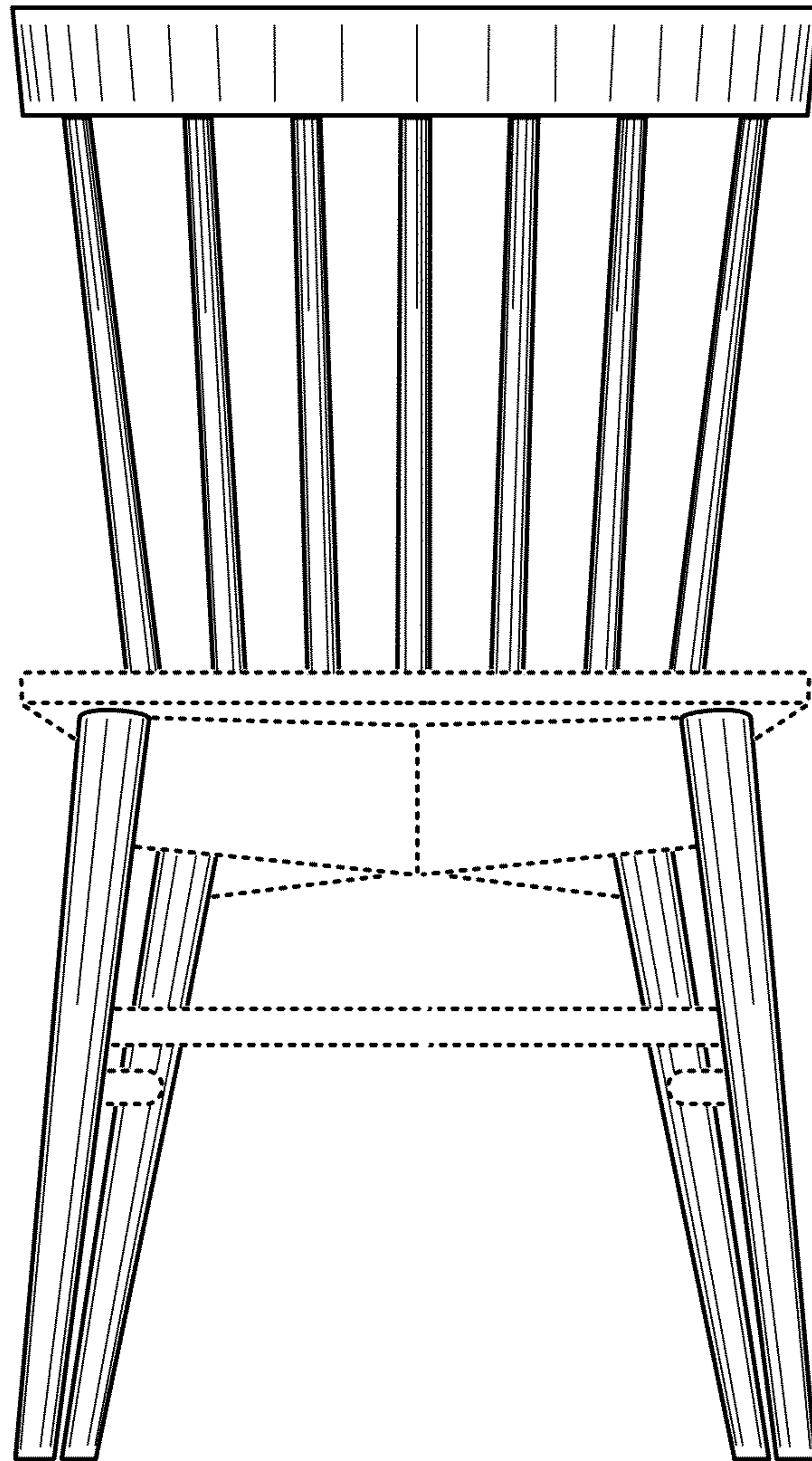


FIG. 3

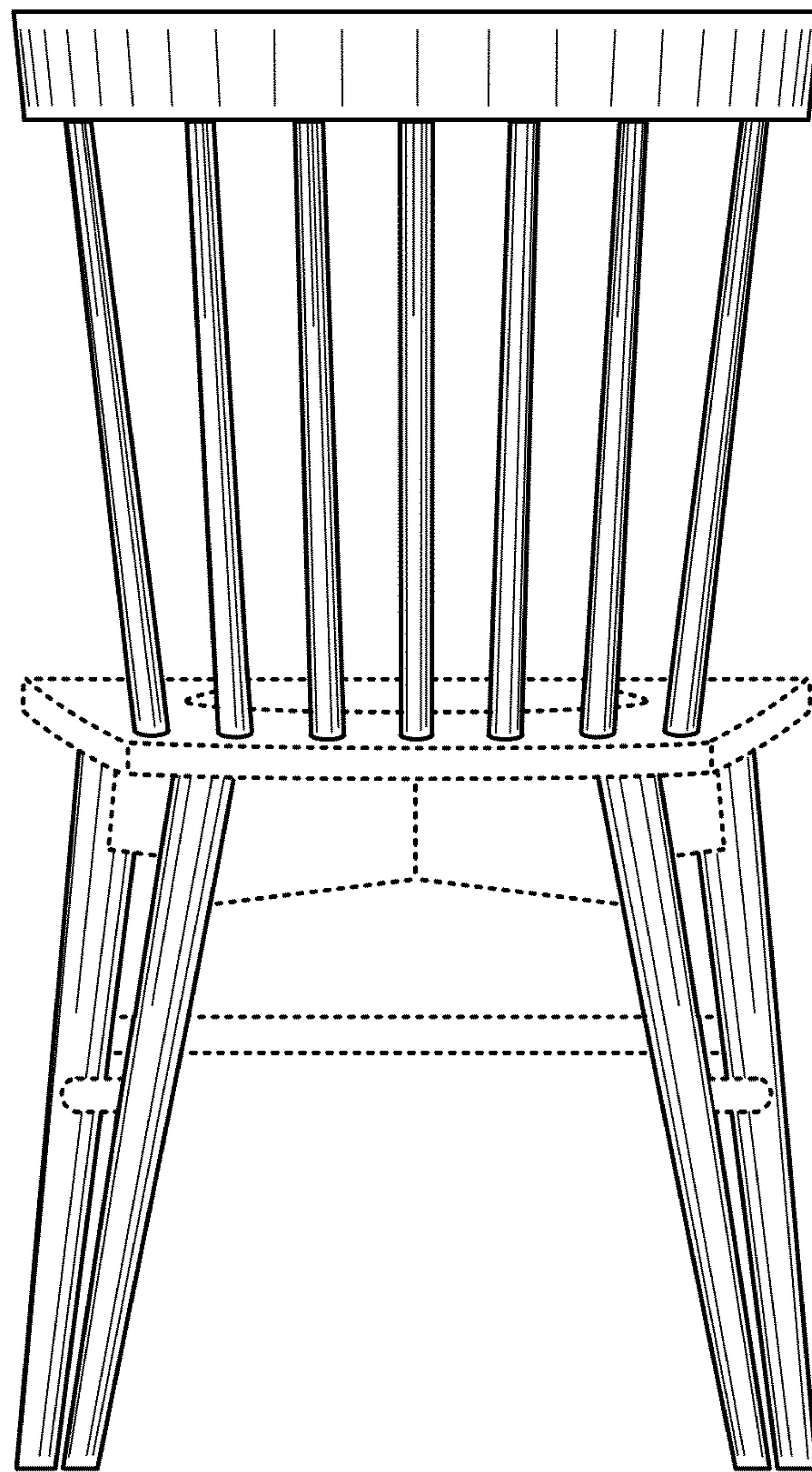


FIG. 4

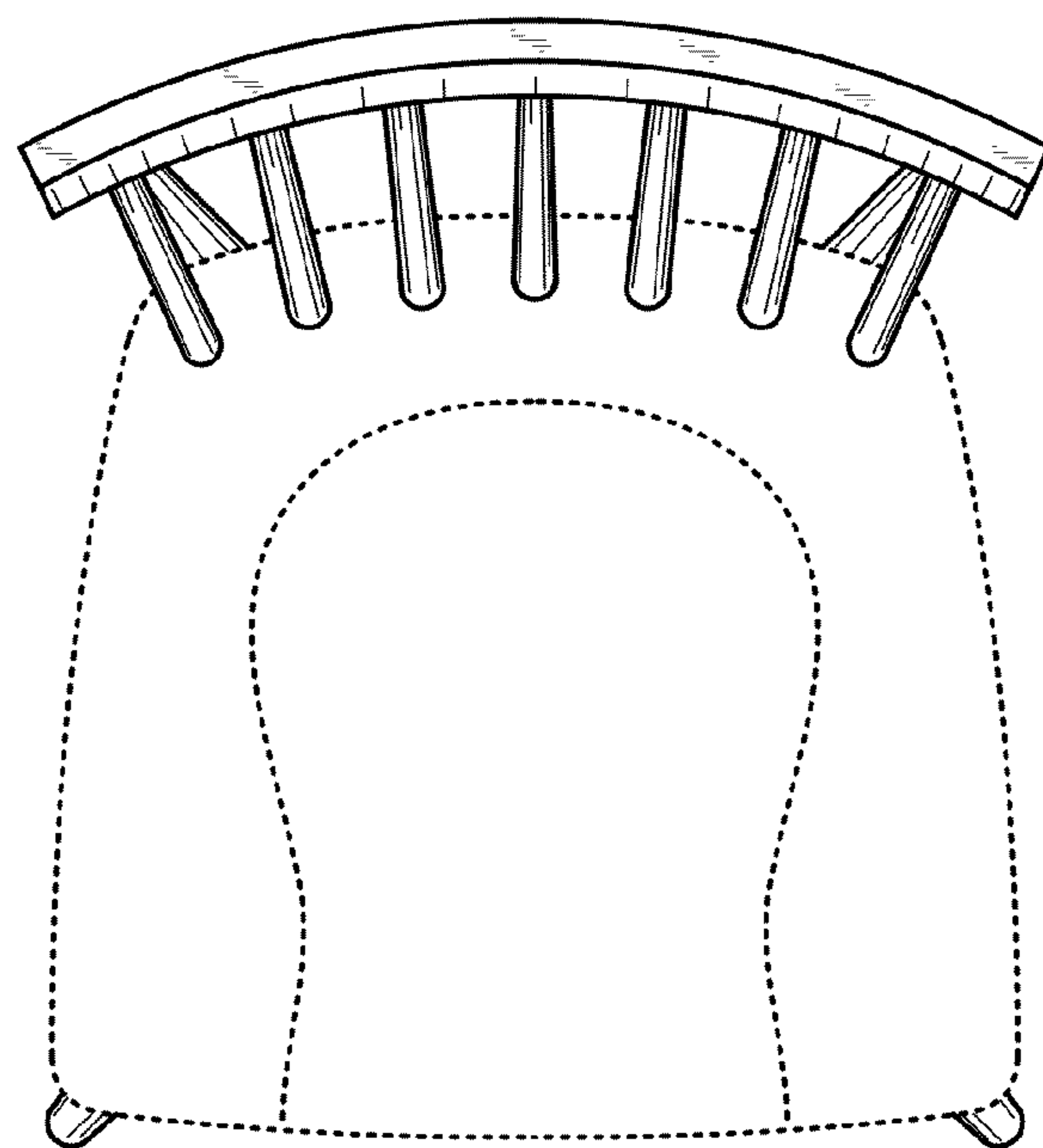


FIG. 5

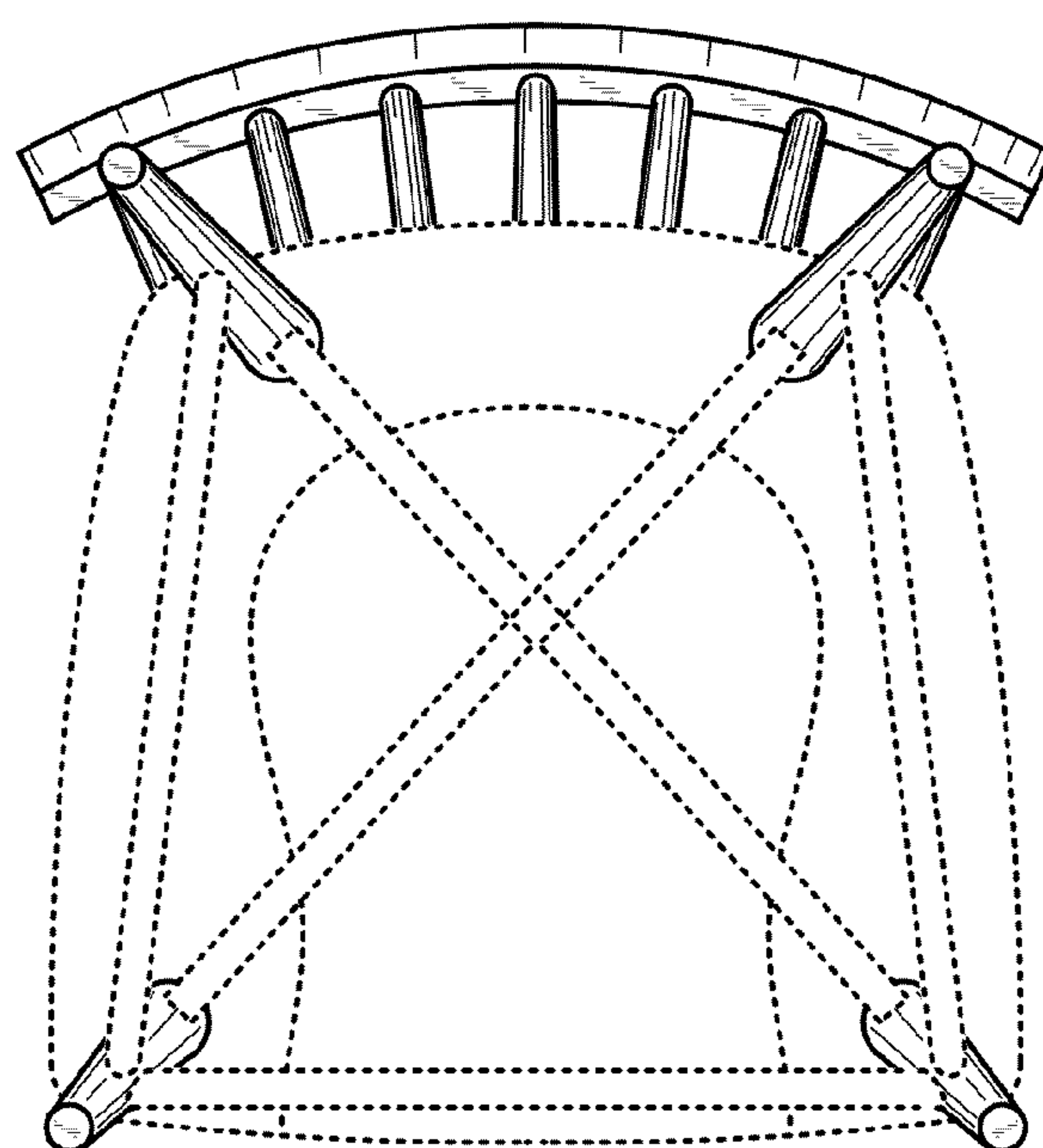


FIG. 6