



US00D734969S

(12) **United States Design Patent**  
**Legare**

(10) **Patent No.:** **US D734,969 S**

(45) **Date of Patent:** **\*\* Jul. 28, 2015**

(54) **TABLE LEG**

(71) Applicant: **TABLES MODULAIRES  
POSITIONNELLES 2008 INC.,  
Saint-Germain-de-Grantham (CA)**

(72) Inventor: **Marc-Antoine Legare, Drummondville  
(CA)**

(73) Assignee: **TABLES MODULAIRES  
POSITIONNELLES 2008 INC.,  
St-Germain-de-Grantham (CA)**

(\*\*) Term: **14 Years**

(21) Appl. No.: **29/476,730**

(22) Filed: **Dec. 16, 2013**

(51) **LOC (10) Cl.** ..... **06-06**

(52) **U.S. Cl.**  
USPC ..... **D6/708; D6/708.16**

(58) **Field of Classification Search**  
USPC ..... D6/654.1, 654.11, 687, 708, 708.16,  
D6/709, 709.2, 709.21, 709.22, 691, 691.6,  
D6/692.4, 691.7  
CPC ..... A47B 1/00; A47B 1/08; A47B 1/10;  
A47B 9/00; A47B 9/08; A47B 9/20; A47B  
9/18; A47B 87/002; A47B 7/00; A47B  
2021/11; A47B 13/00; A47B 13/02; A47B  
13/04; A47B 91/00; A47B 2200/002; A47B  
2200/0031

See application file for complete search history.

(56) **References Cited**

**U.S. PATENT DOCUMENTS**

D180,203 S \* 4/1957 Shone ..... D6/499  
D488,007 S \* 4/2004 Cronk et al. .... D6/708.16  
D511,637 S \* 11/2005 Strong ..... D6/708.16  
2008/0289545 A1\* 11/2008 Picchio ..... 108/106

**OTHER PUBLICATIONS**

Ergolab, Table, <http://www.ergolab.ca/medical/tables2.html>, Oct. 2013.

\* cited by examiner

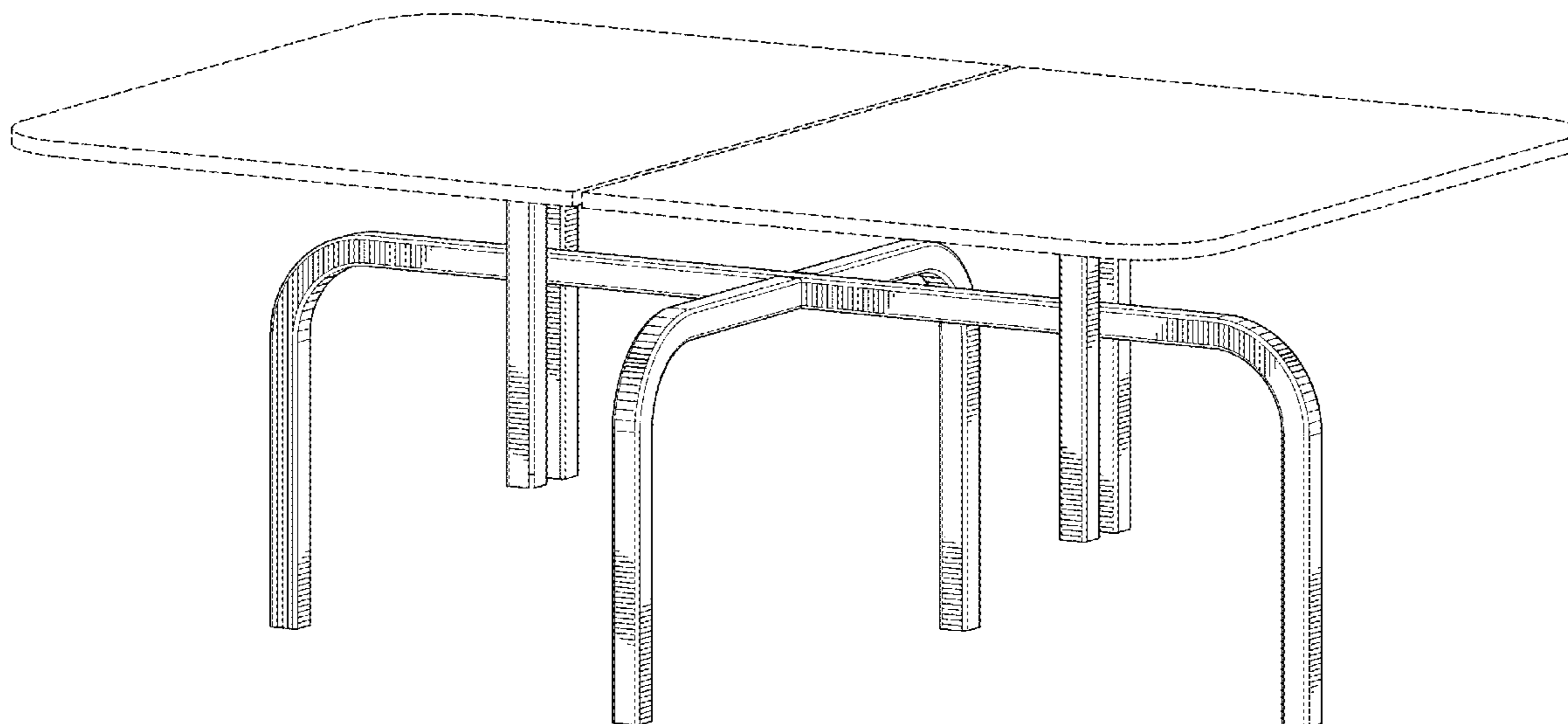
*Primary Examiner* — Janice Seeger

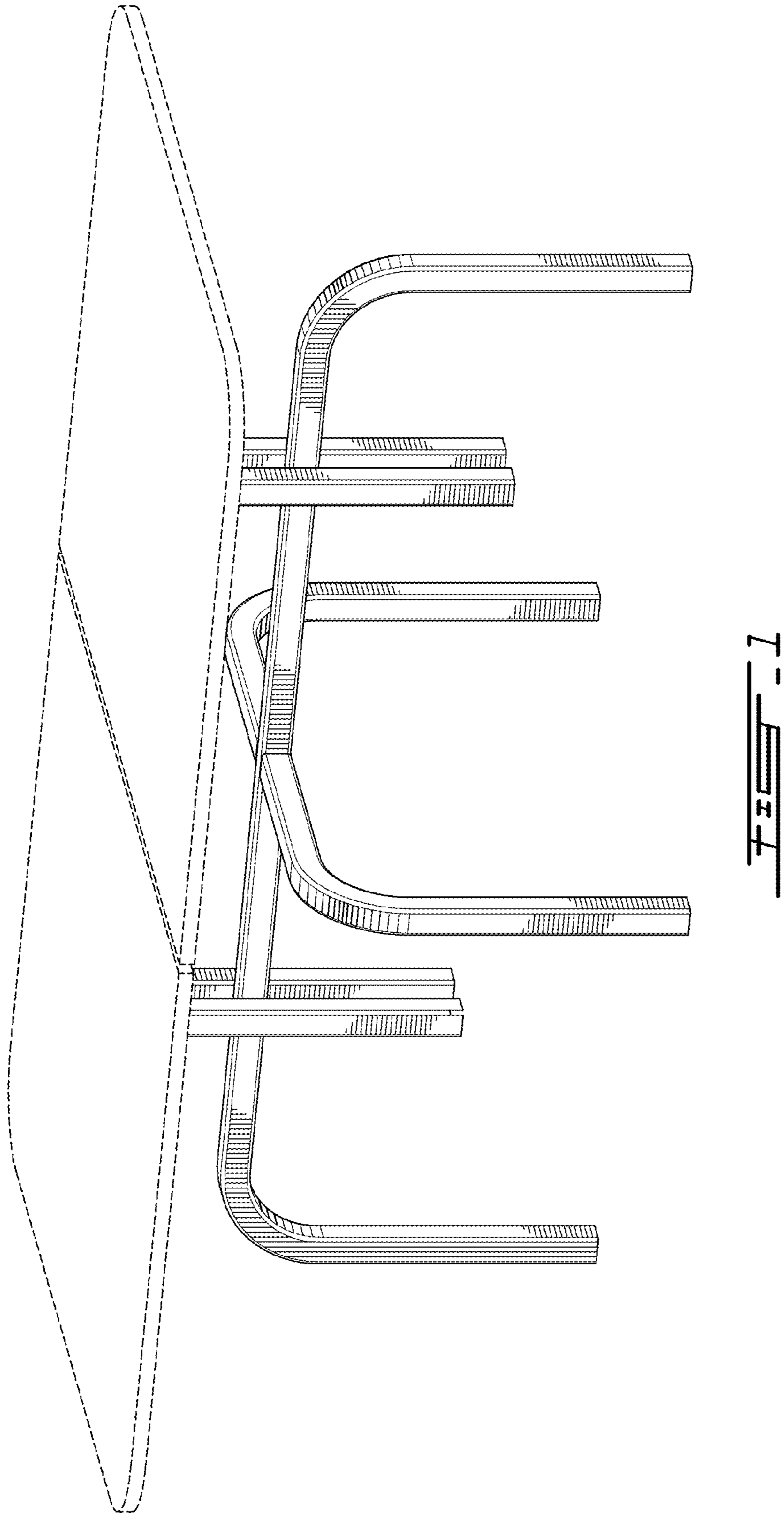
(57) **CLAIM**  
The ornamental design for a table leg, as shown and described.

**DESCRIPTION**

FIG. 1 is a perspective view of a table leg in a first embodiment showing my new design, the broken lines represent environment and form no part of the claimed design; FIG. 2 is a perspective view of the table leg of FIG. 1; FIG. 3 is a front view of the table leg of FIG. 1; FIG. 4 is side view of the table leg of FIG. 1; FIG. 5 is a top view of the table leg of FIG. 1; FIG. 6 is a bottom view of the table leg of FIG. 1; FIG. 7 is a perspective view of a table leg in a second embodiment showing my new design, the broken lines represent environment and form no part of the claimed design; FIG. 8 is a perspective view of the table leg of FIG. 7; FIG. 9 is a front view of the table leg of FIG. 7; FIG. 10 is a side view of the table leg of FIG. 7; FIG. 11 is a top view of the table leg of FIG. 7; and, FIG. 12 is a bottom view of the table leg of FIG. 7. The broken lines represent environment and form no part of the claimed design.

**1 Claim, 12 Drawing Sheets**





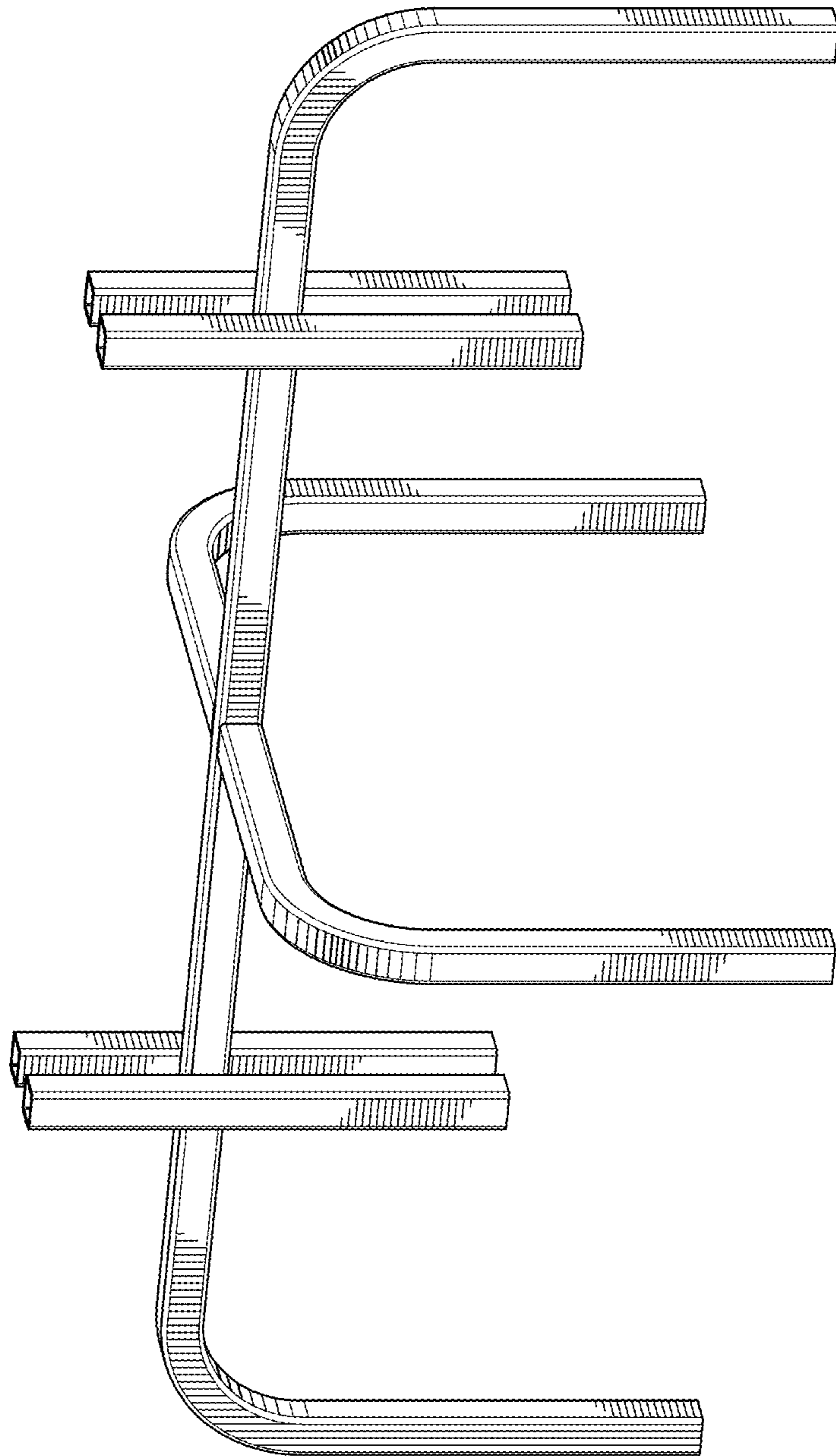


FIG. 2

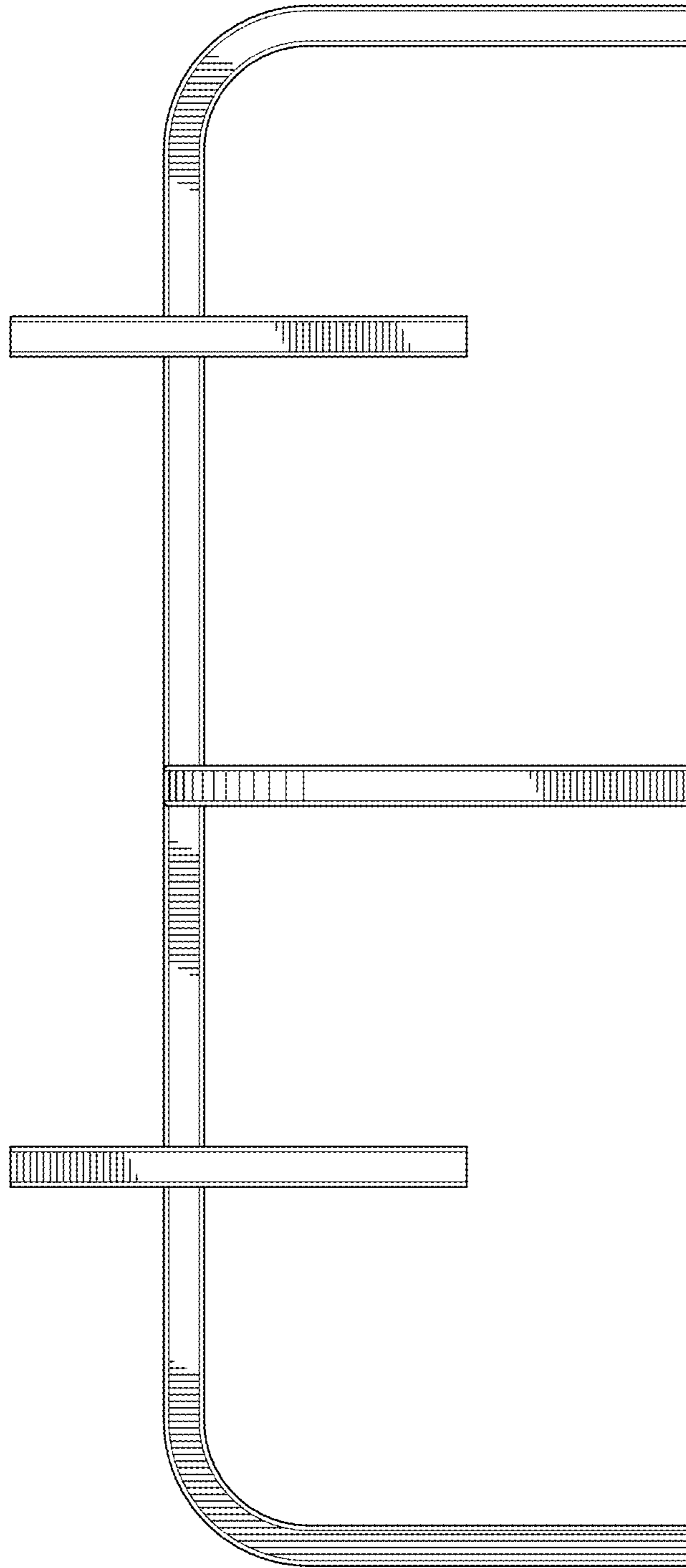


FIG. 3

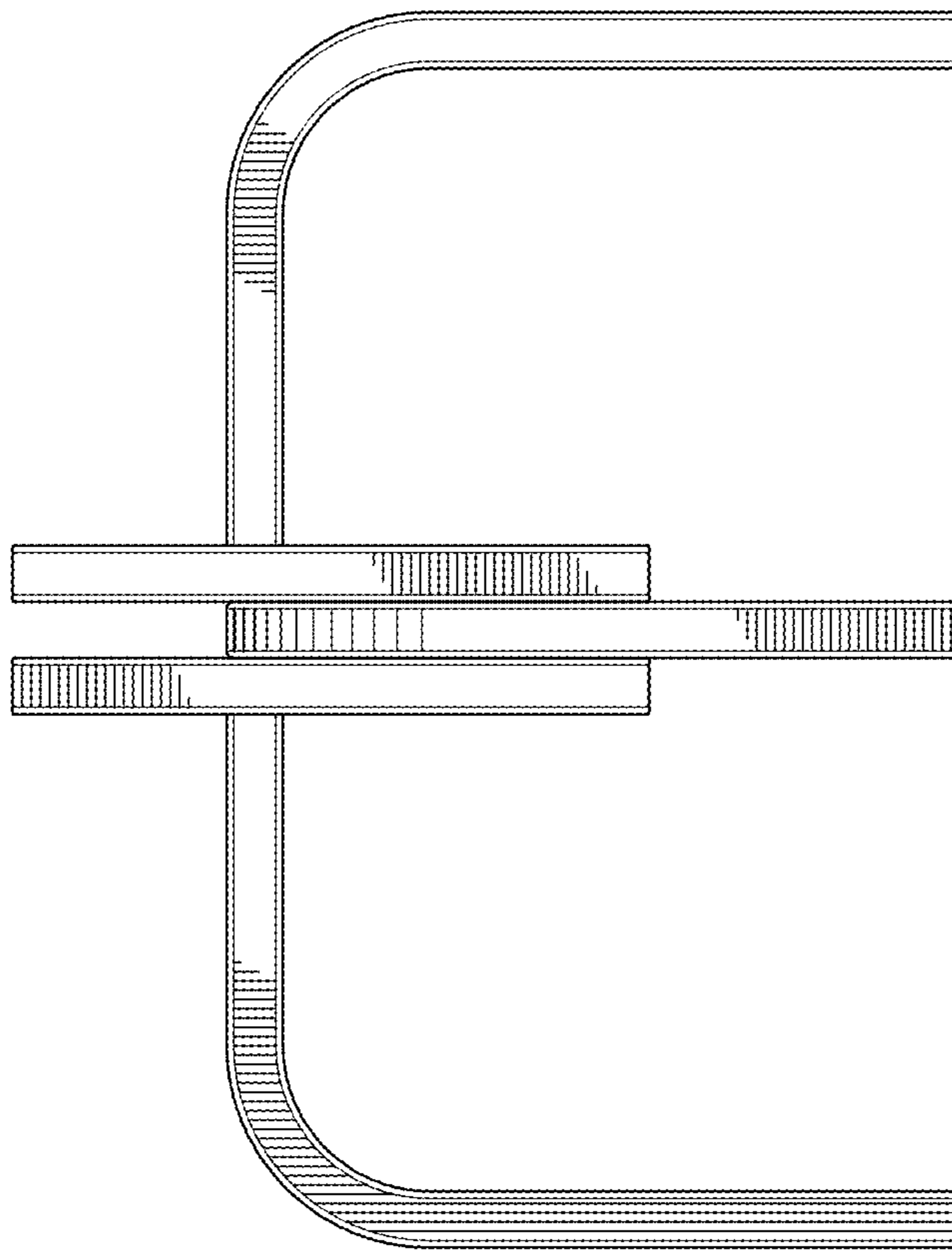


FIG. 4

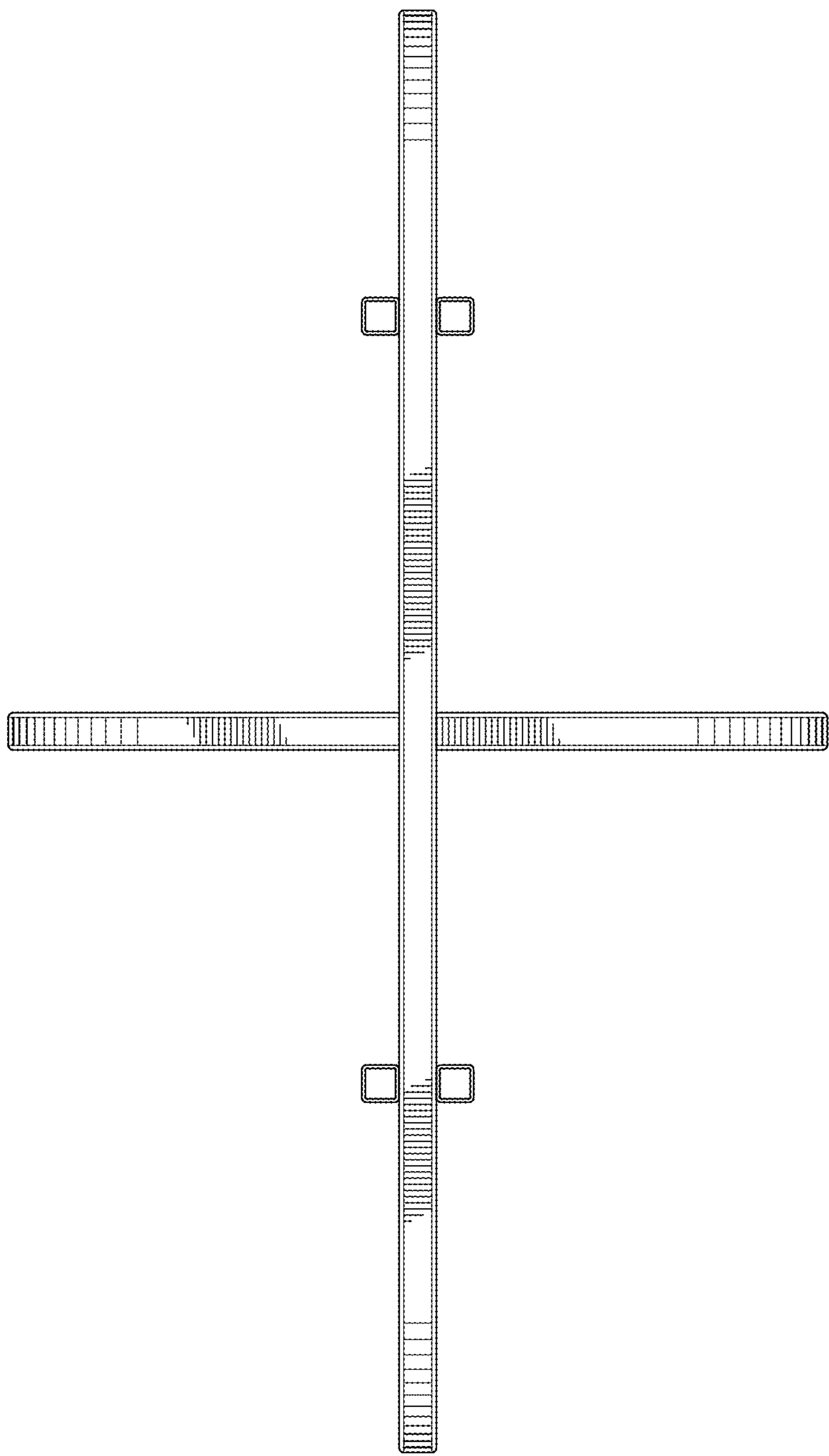


FIG. 5

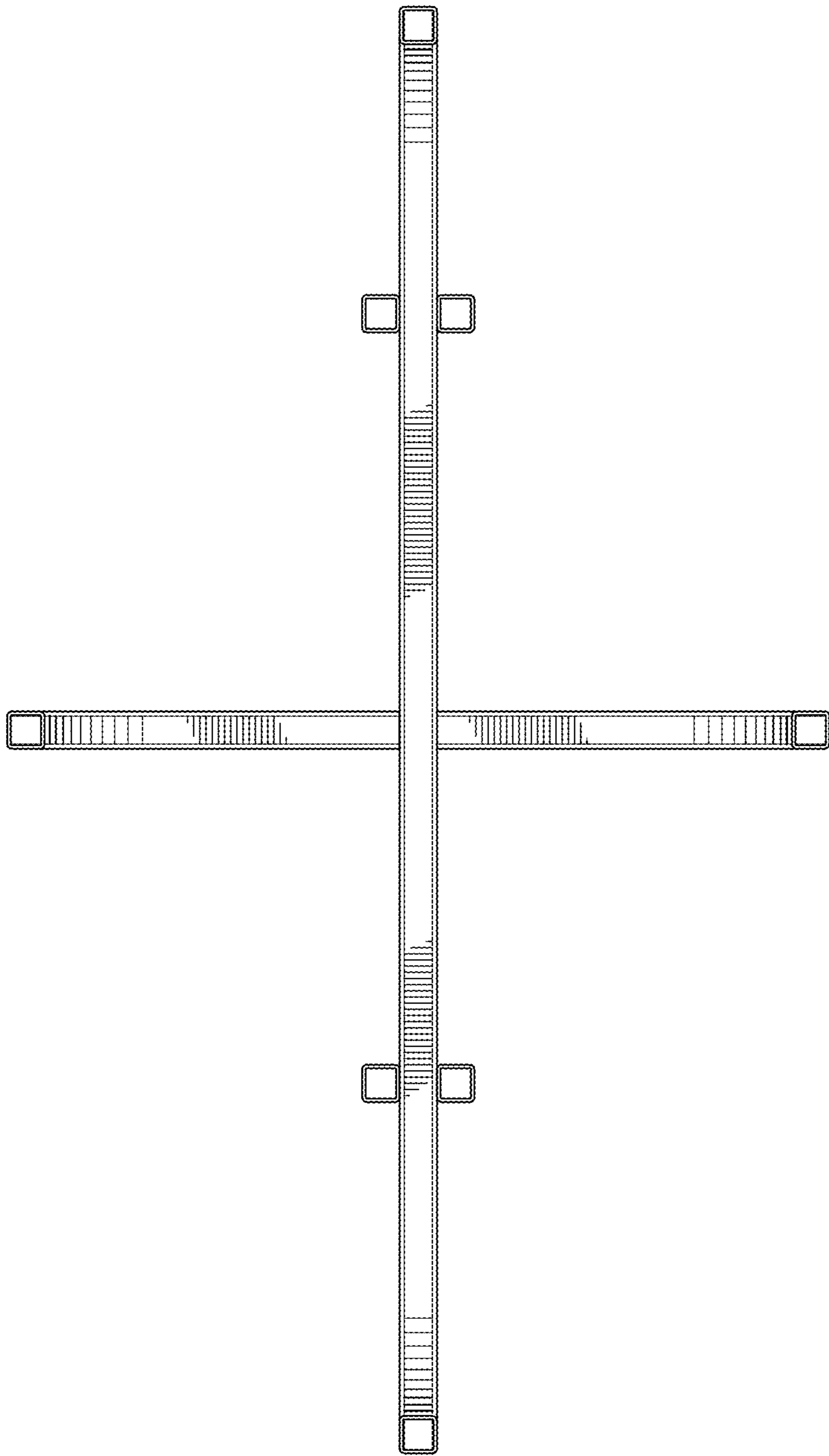


FIG. 6



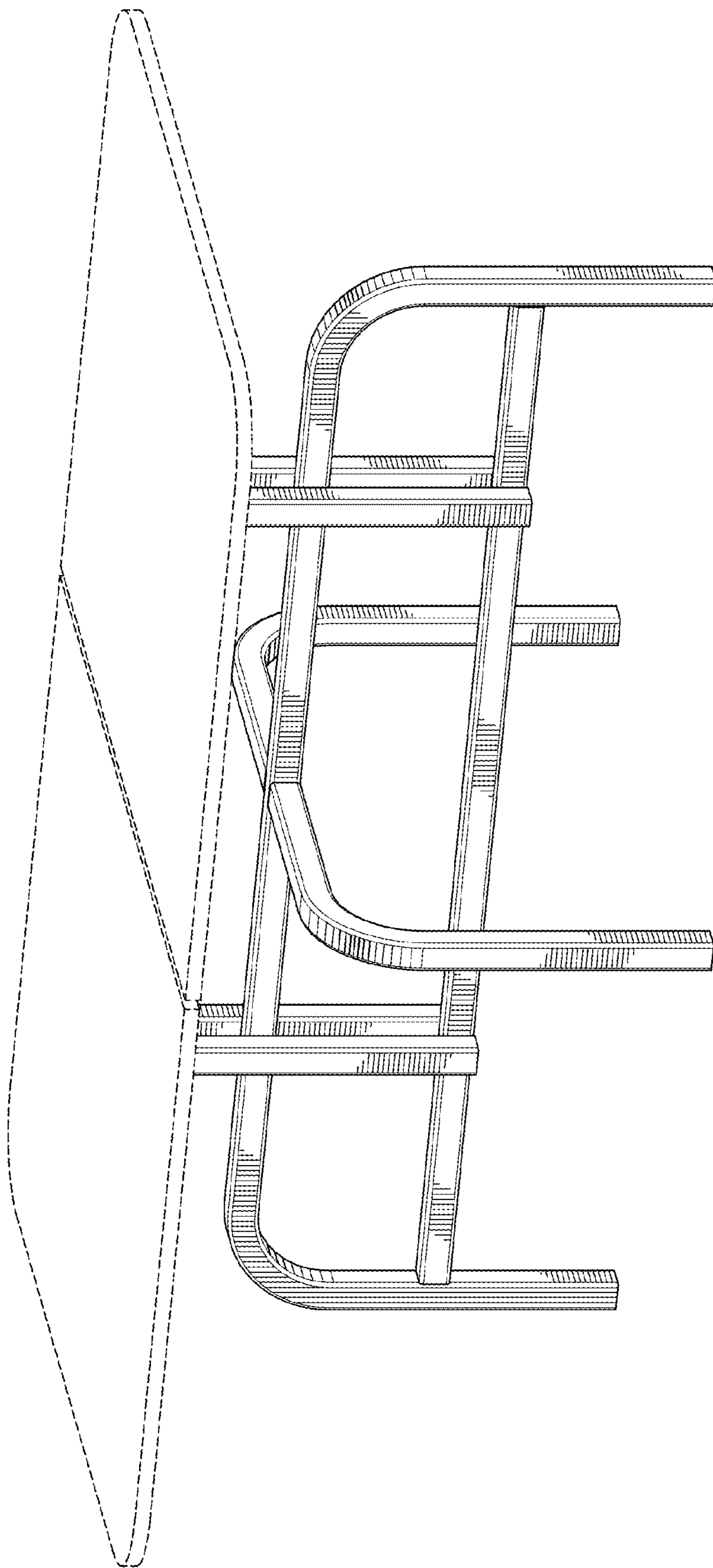


FIG. 7



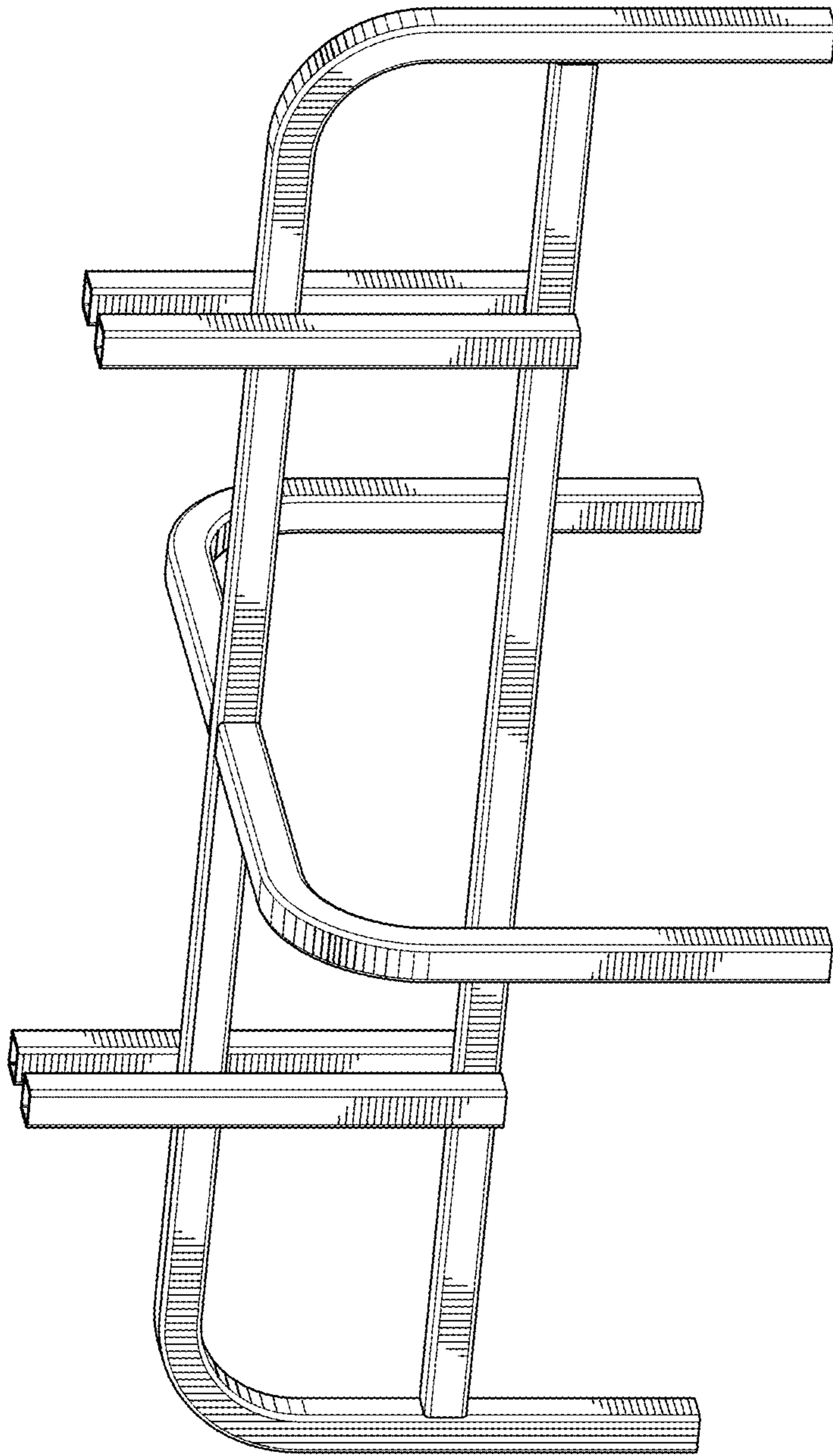


FIG. 8

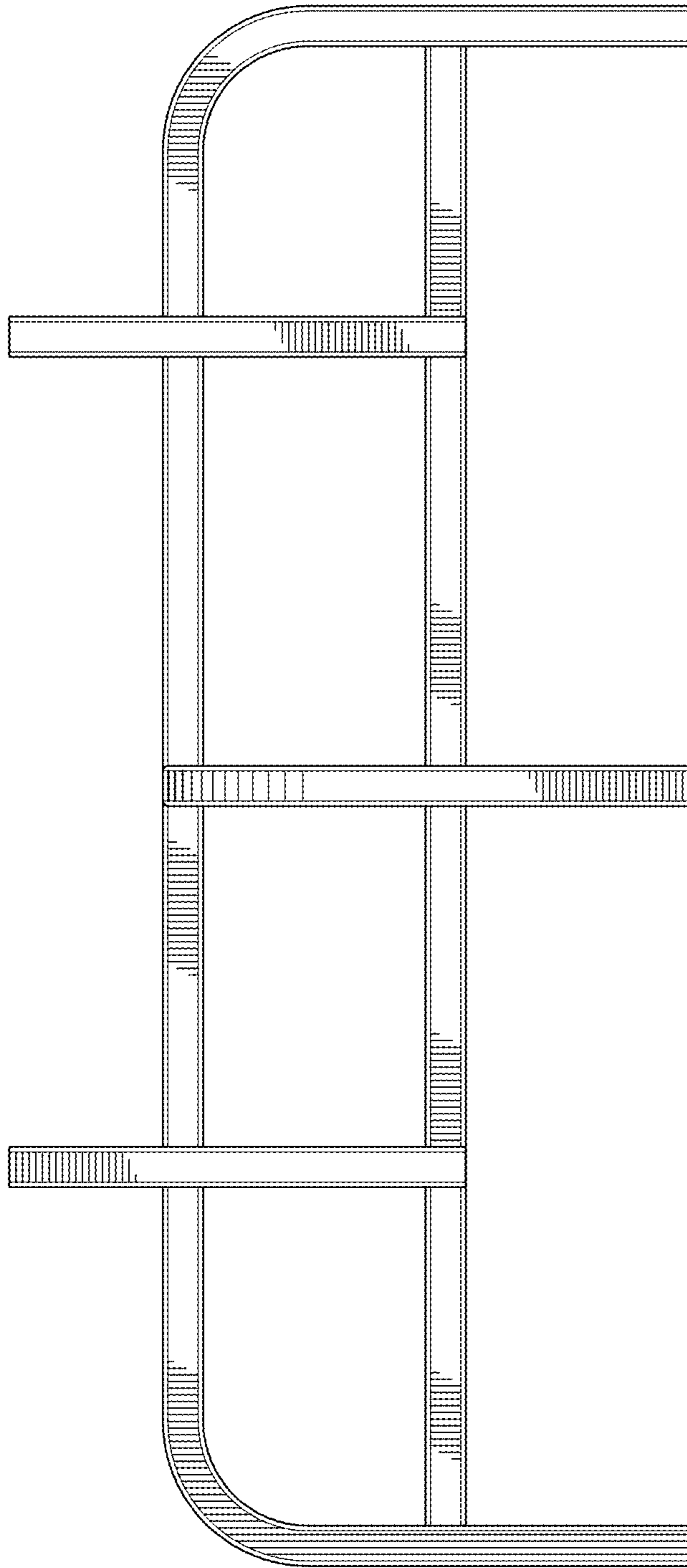


FIG. 9

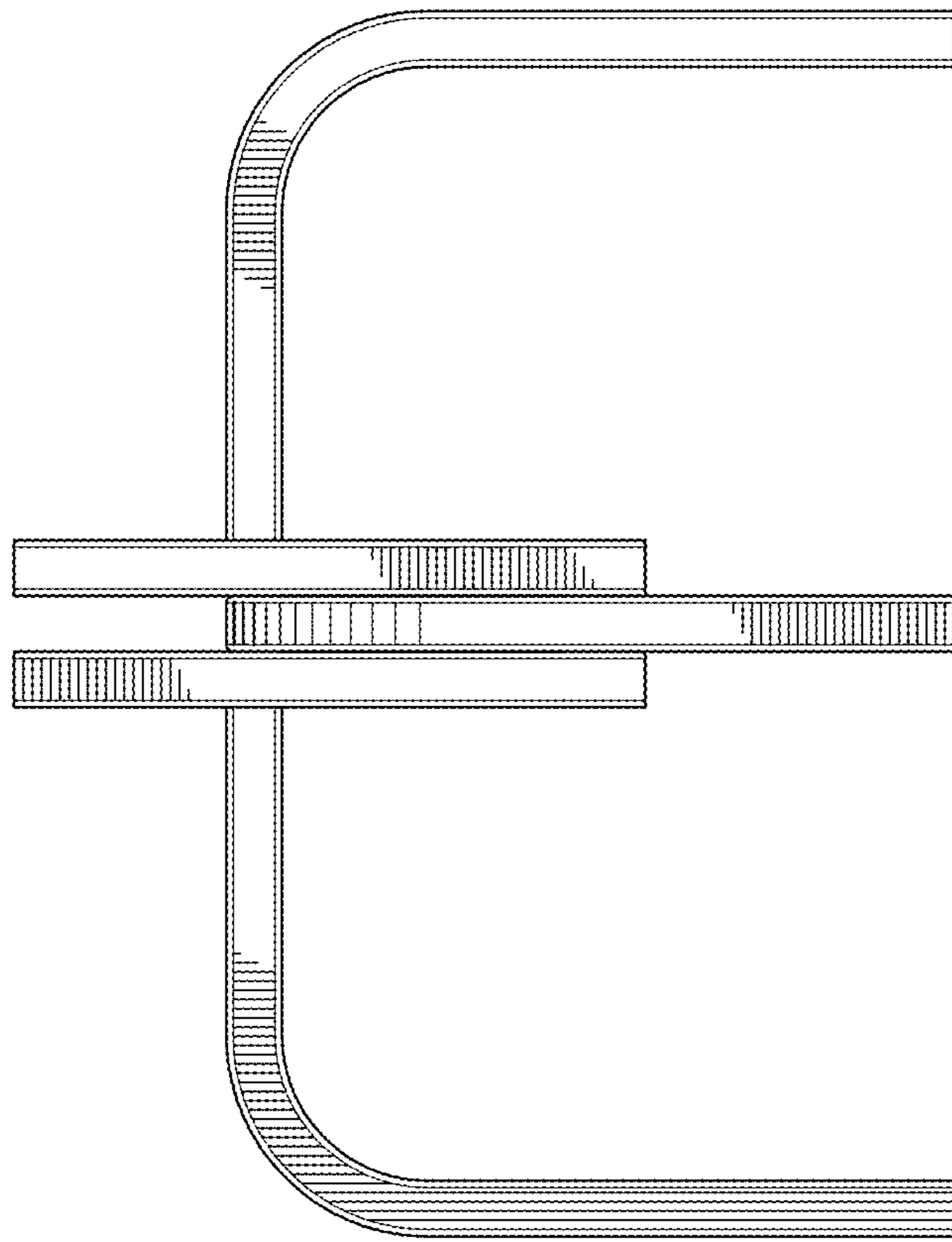


FIG. 10

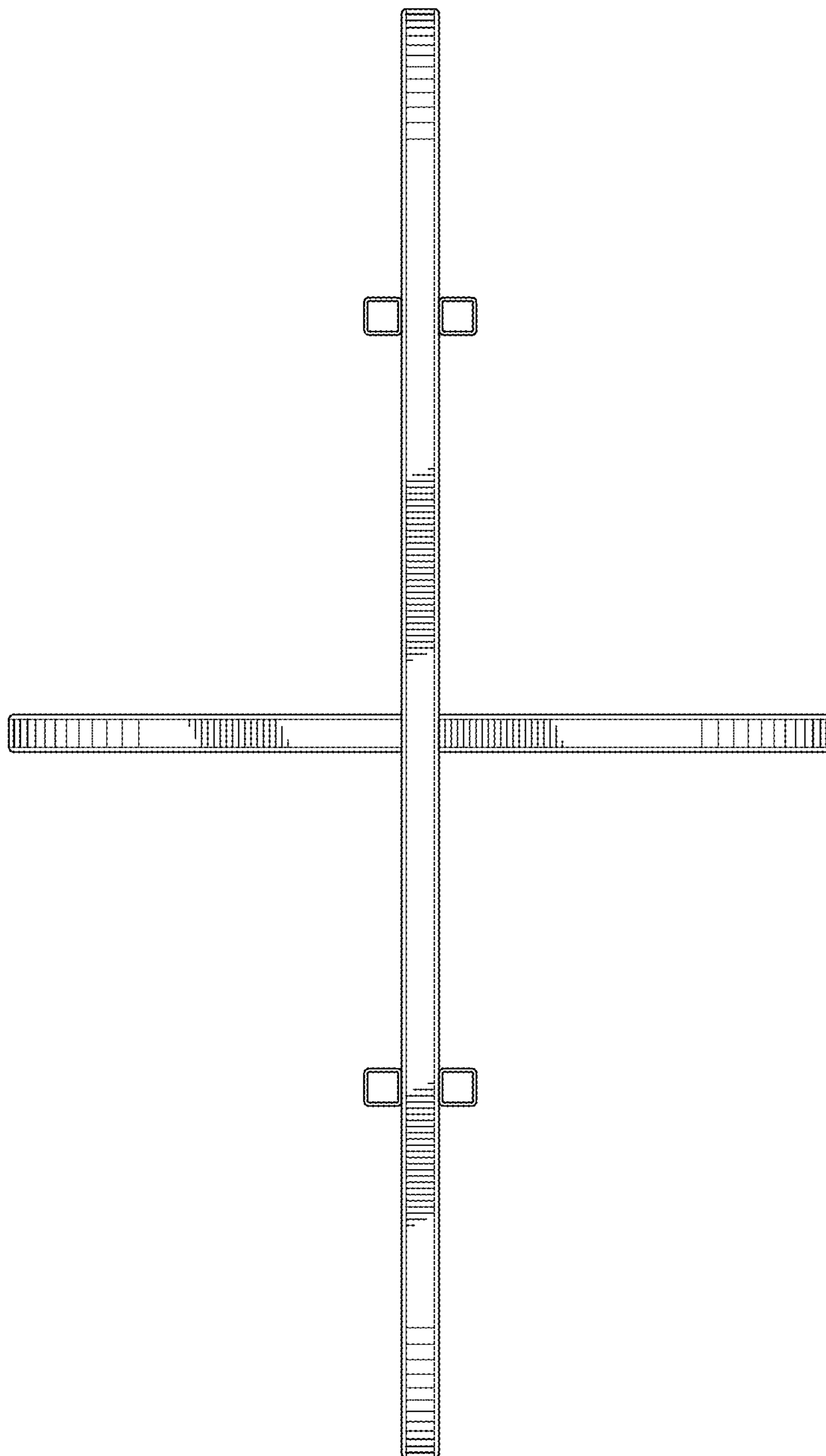


FIG. 11

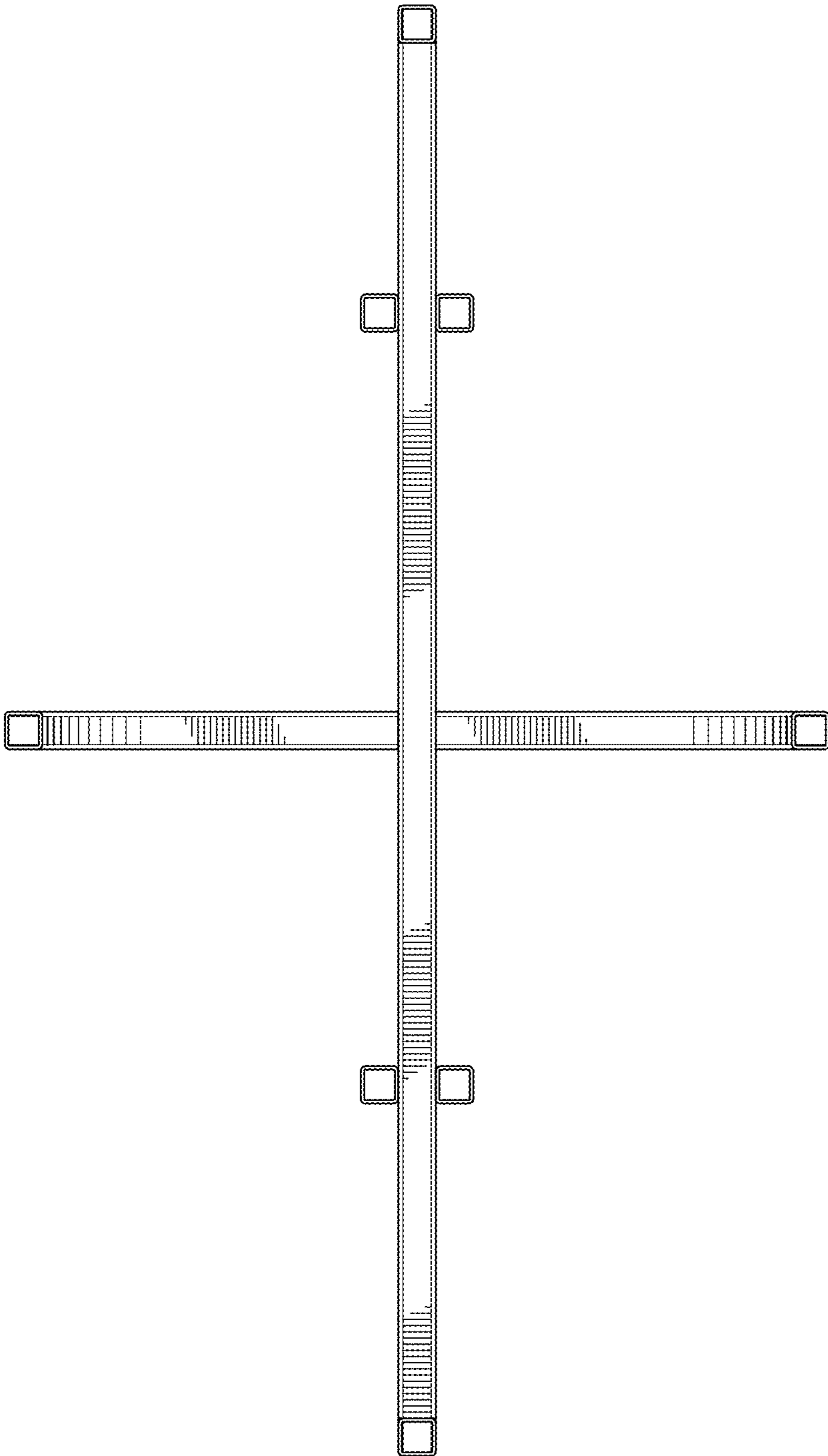


FIG. 12