



US00D734967S

(12) **United States Design Patent**
Lundy

(10) **Patent No.:** **US D734,967 S**
(45) **Date of Patent:** **** Jul. 28, 2015**

- (54) **WIPES STAND**
- (71) Applicant: **Denisha Lundy**, Livonia, MI (US)
- (72) Inventor: **Denisha Lundy**, Livonia, MI (US)
- (**) Term: **14 Years**
- (21) Appl. No.: **29/472,693**
- (22) Filed: **Nov. 14, 2013**
- (51) **LOC (10) Cl.** **06-04**
- (52) **U.S. Cl.**
USPC **D6/681**
- (58) **Field of Classification Search**
USPC D6/681, 681.1, 681.2, 681.3, 672, 512,
D6/515, 518, 524, 525, 523; D7/631;
D8/363; 211/13.1, 86.01, 205, 45;
221/282, 284, 45; 108/28, 29; 222/180;
248/97, 176.1, 251, 302, 309.1;
206/557
CPC A47K 10/42; A47K 10/32; A47K 10/421;
A47K 10/16; A47K 2010/3266
See application file for complete search history.

D595,518 S *	7/2009	Zapanta	D6/449
D625,528 S *	10/2010	Sprague	D6/449
D642,410 S *	8/2011	Vaults, Jr.	D6/524
D655,530 S *	3/2012	Denby	D6/411
D675,037 S *	1/2013	Sinotte et al.	D6/515
D698,573 S *	2/2014	Carter	D6/524
D723,301 S *	3/2015	Callif et al.	D6/566
2012/0305587 A1 *	12/2012	Williford	221/46

OTHER PUBLICATIONS

Bed Bath & Beyond, Spa Creations Toilet Tissue Stand with Wet Wipe Adjustable Shelf, <http://www.bedbathandbeyond.com/1/1/138109-spa-creationstoilet-tissue-stand-wet-wipe-adjustable-shelf.html> (Dated Oct. 6, 2013).

* cited by examiner

Primary Examiner — Cathron Brooks
Assistant Examiner — Clese Moore, Jr.

(74) *Attorney, Agent, or Firm* — Wayne State University Law School Patent Procurement Law Clinic; Thomas D. Helmholdt

(57) **CLAIM**

The ornamental design for a wipes stand, as shown and described.

DESCRIPTION

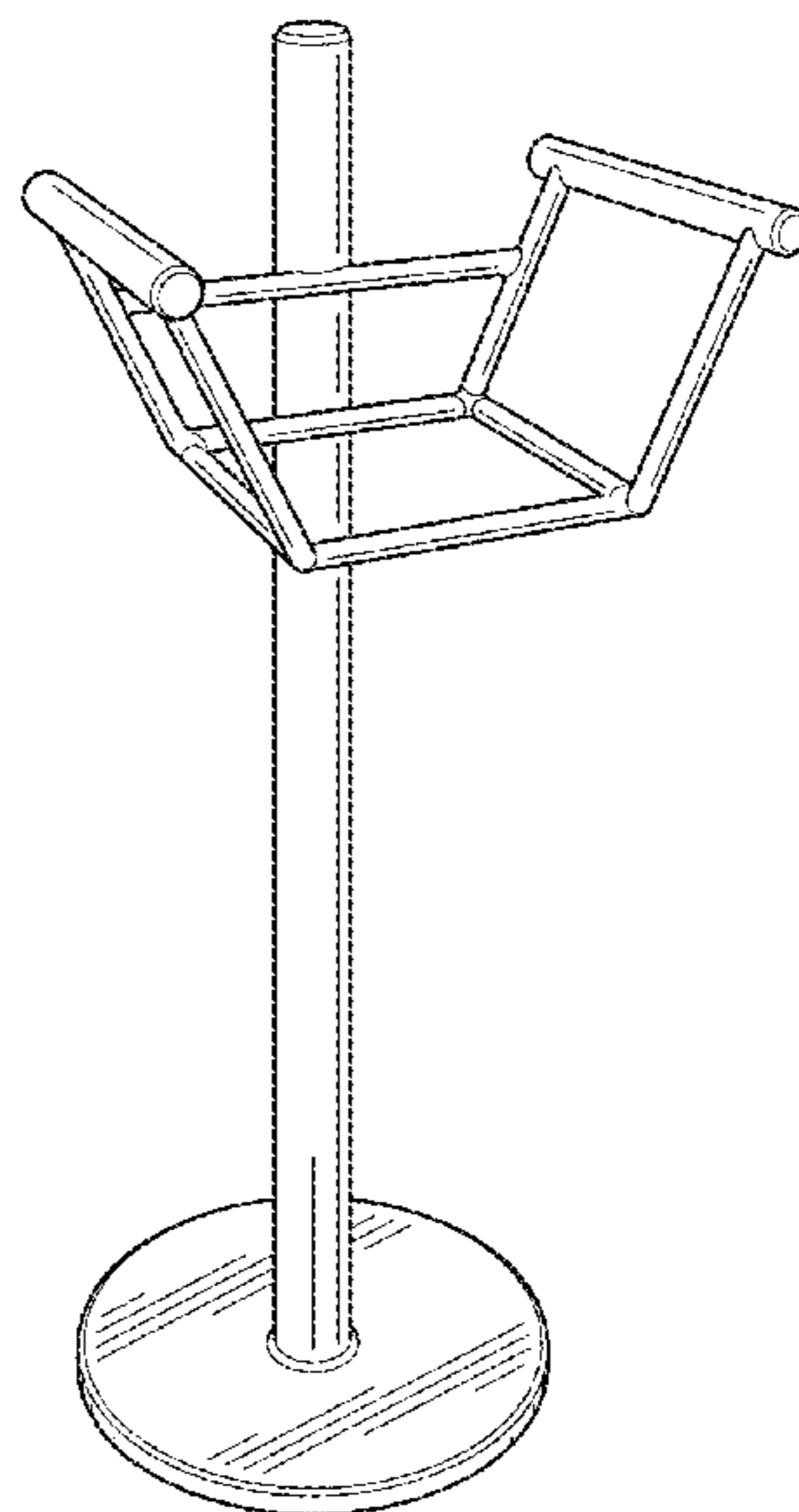
FIG. 1 is a perspective view embodying the ornamental design of a wipes stand constituting my invention; FIG. 2 is a front elevation view thereof; FIG. 3 is a top plan view thereof; FIG. 4 is a right side elevational view of the ornamental design for a rack, where the left side elevational view is a mirror image thereof; FIG. 5 is a rear elevation view thereof; and, FIG. 6 is a bottom plan view thereof.

1 Claim, 2 Drawing Sheets

(56) **References Cited**

U.S. PATENT DOCUMENTS

D290,793 S *	7/1987	Lukezich et al.	D6/462
D300,485 S *	4/1989	Scholl	D6/411
D435,379 S *	12/2000	Nguyen	D6/515
D461,986 S *	8/2002	Talley	D6/552
D476,835 S *	7/2003	Lai	D6/523
6,959,890 B1	11/2005	Breitinger	
D530,551 S *	10/2006	Snell	D6/525
D530,948 S *	10/2006	Snell	D6/525
7,128,235 B2	10/2006	Haddad et al.	
D552,901 S *	10/2007	Wilfong et al.	D6/515
D565,338 S *	4/2008	St. Peter et al.	D6/552
D573,822 S *	7/2008	Yang et al.	D6/523
D581,700 S *	12/2008	DePace et al.	D6/449



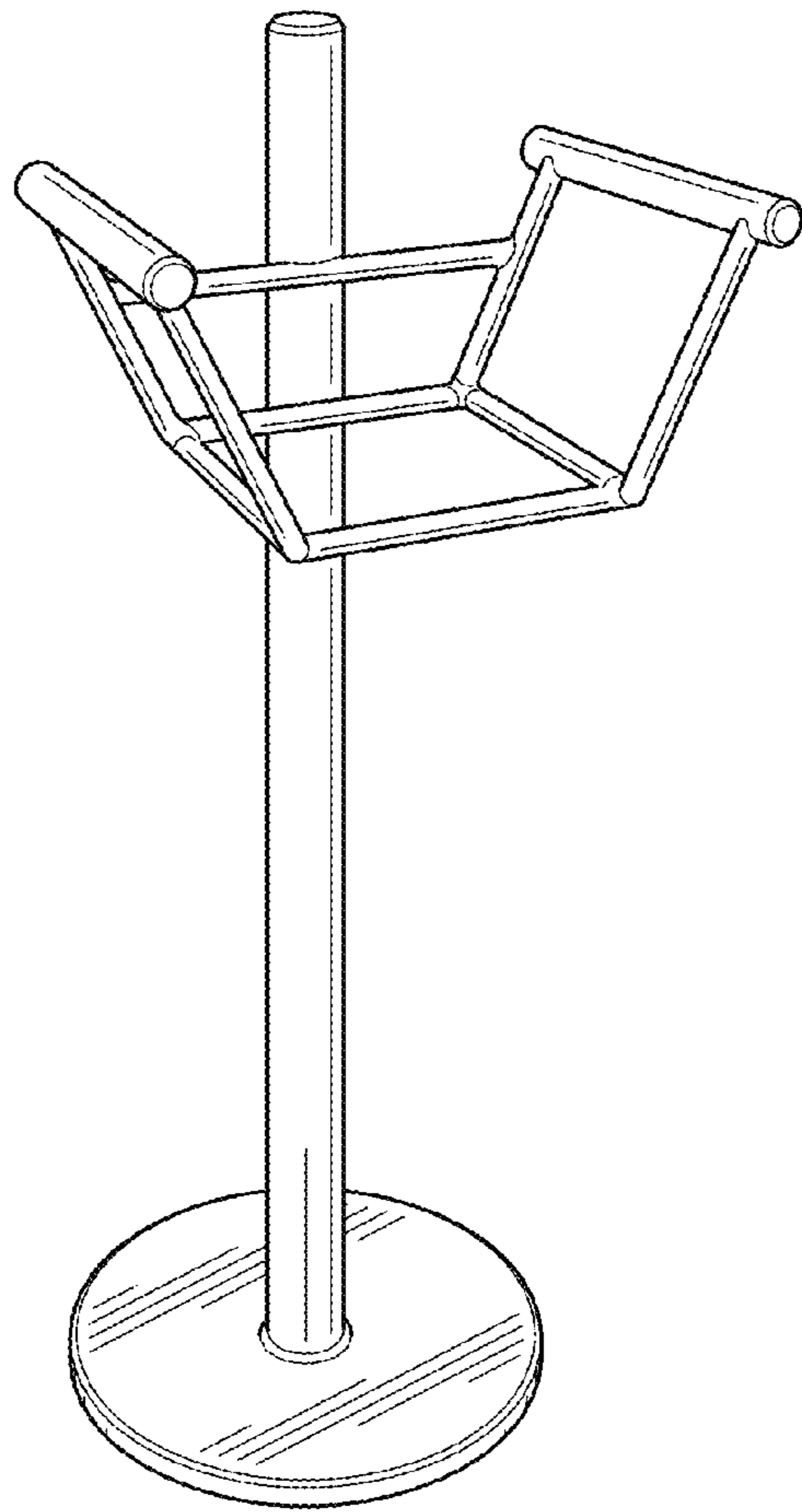


FIG. 1

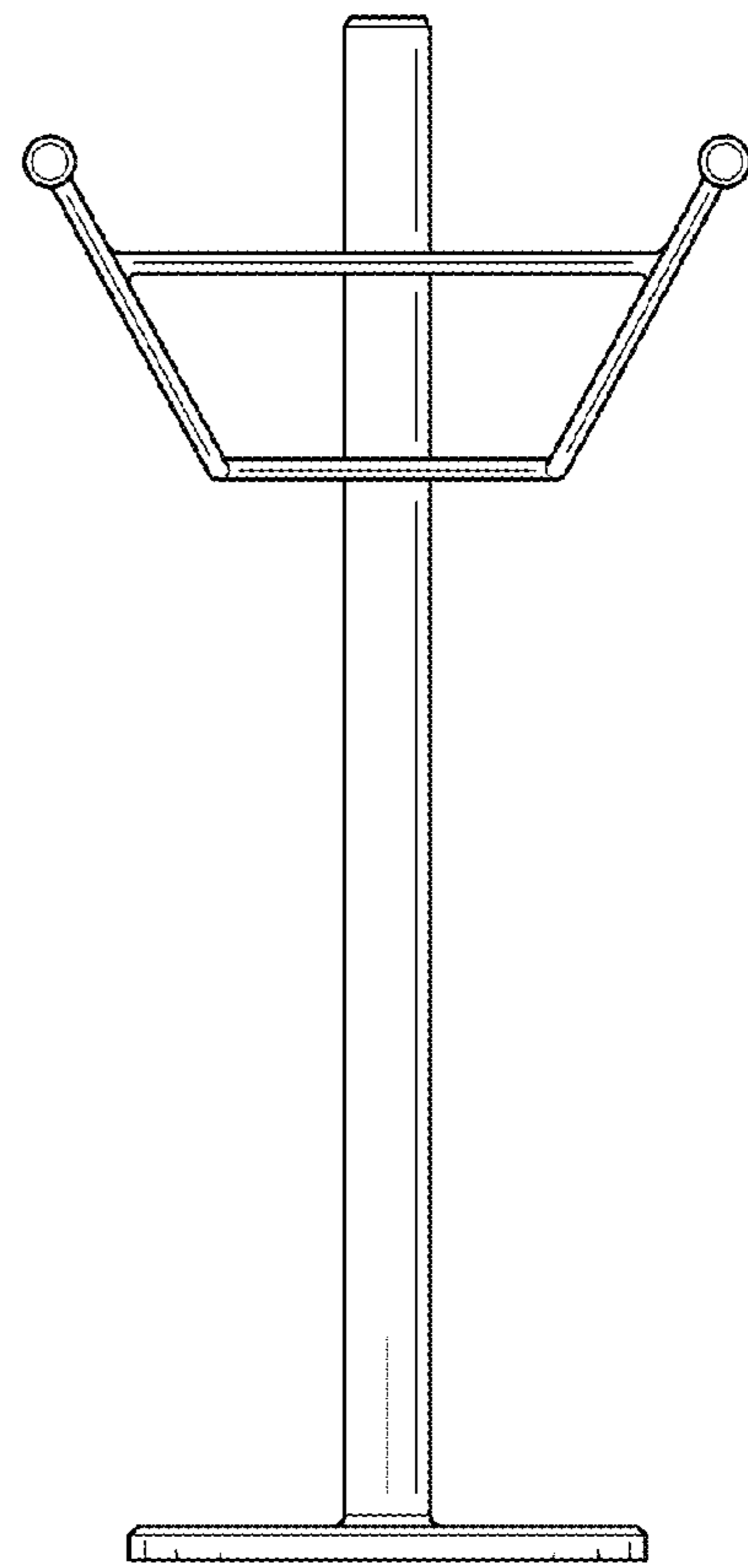


FIG. 2

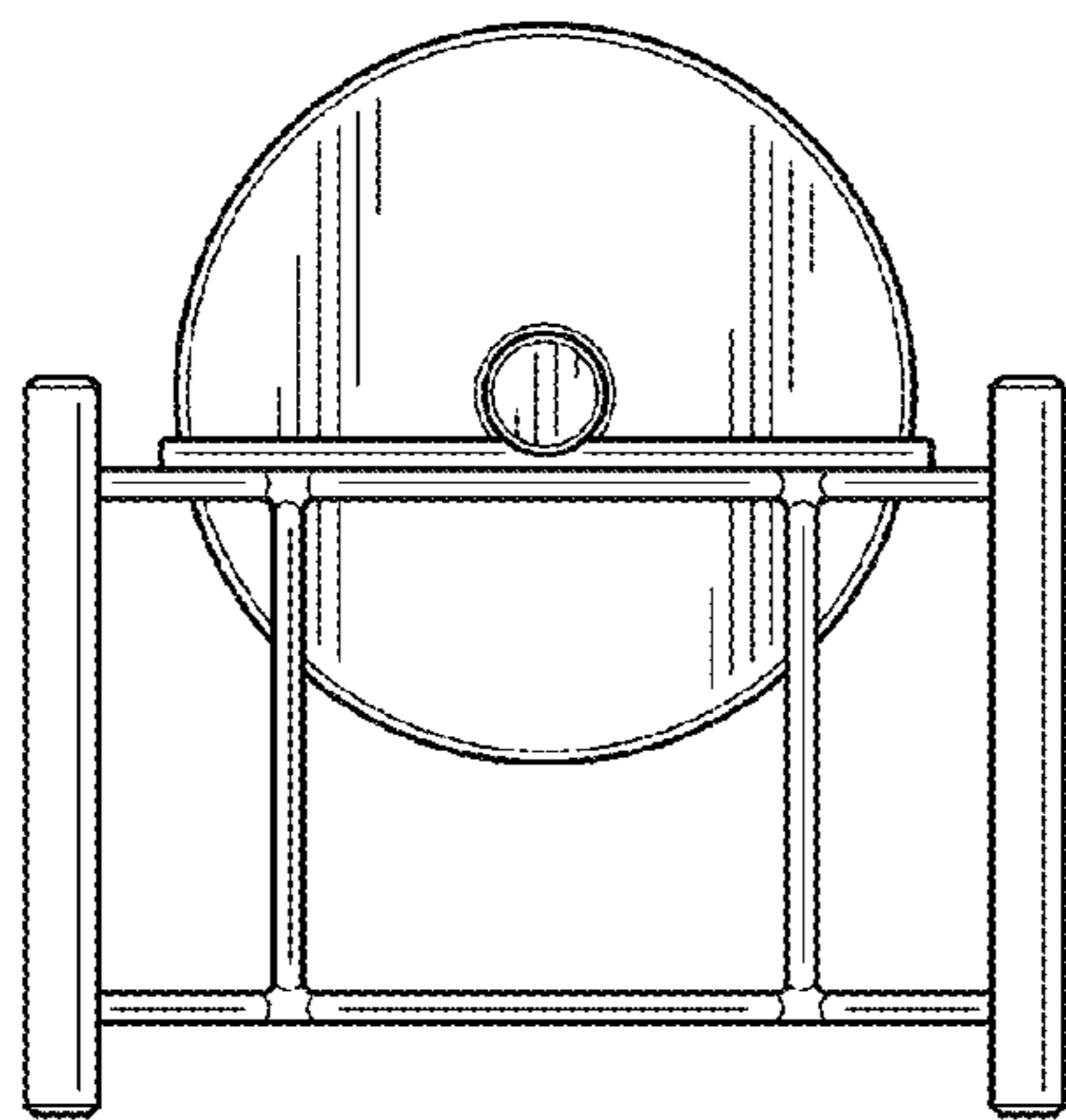


FIG. 3

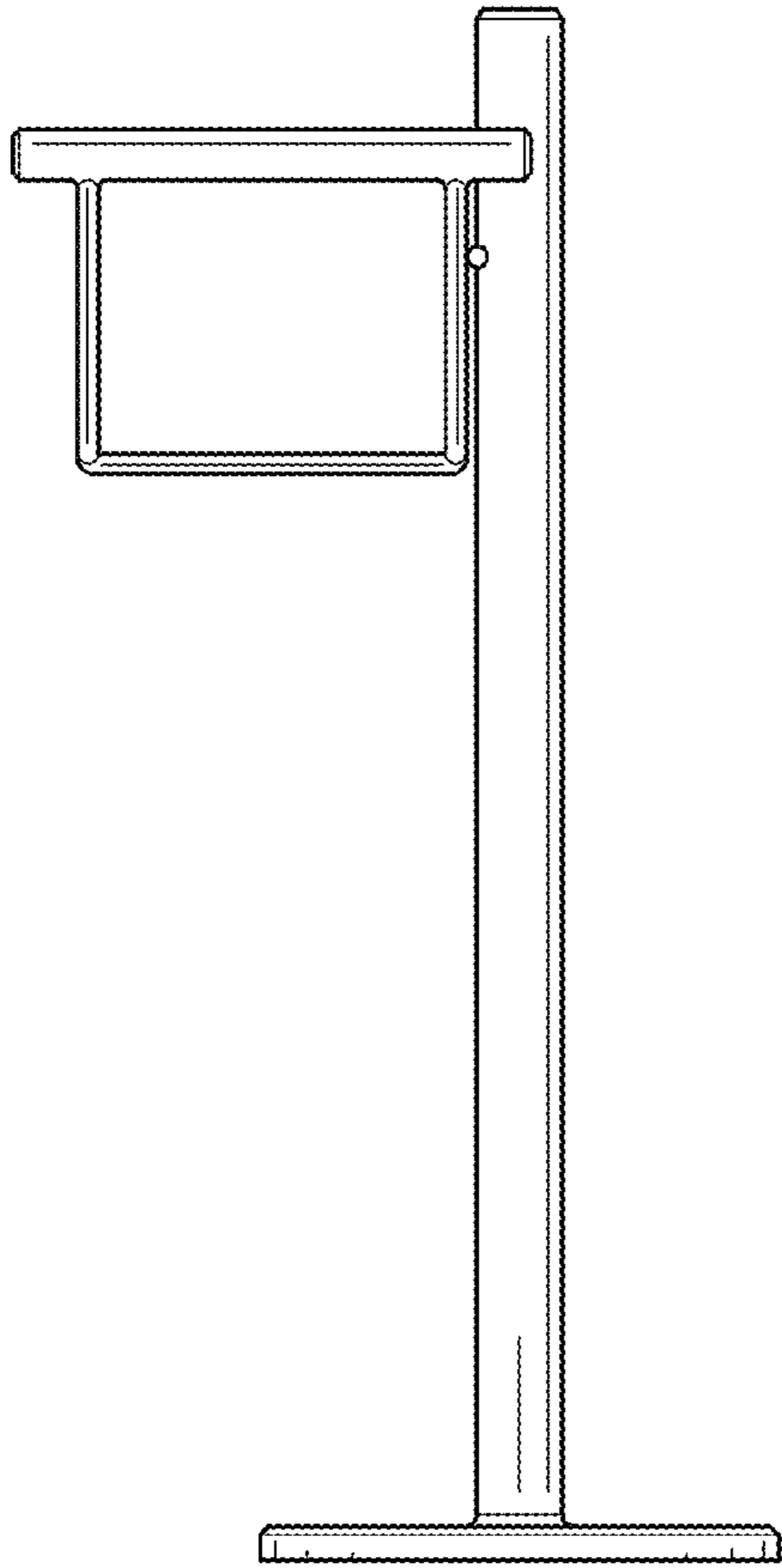


FIG. 4

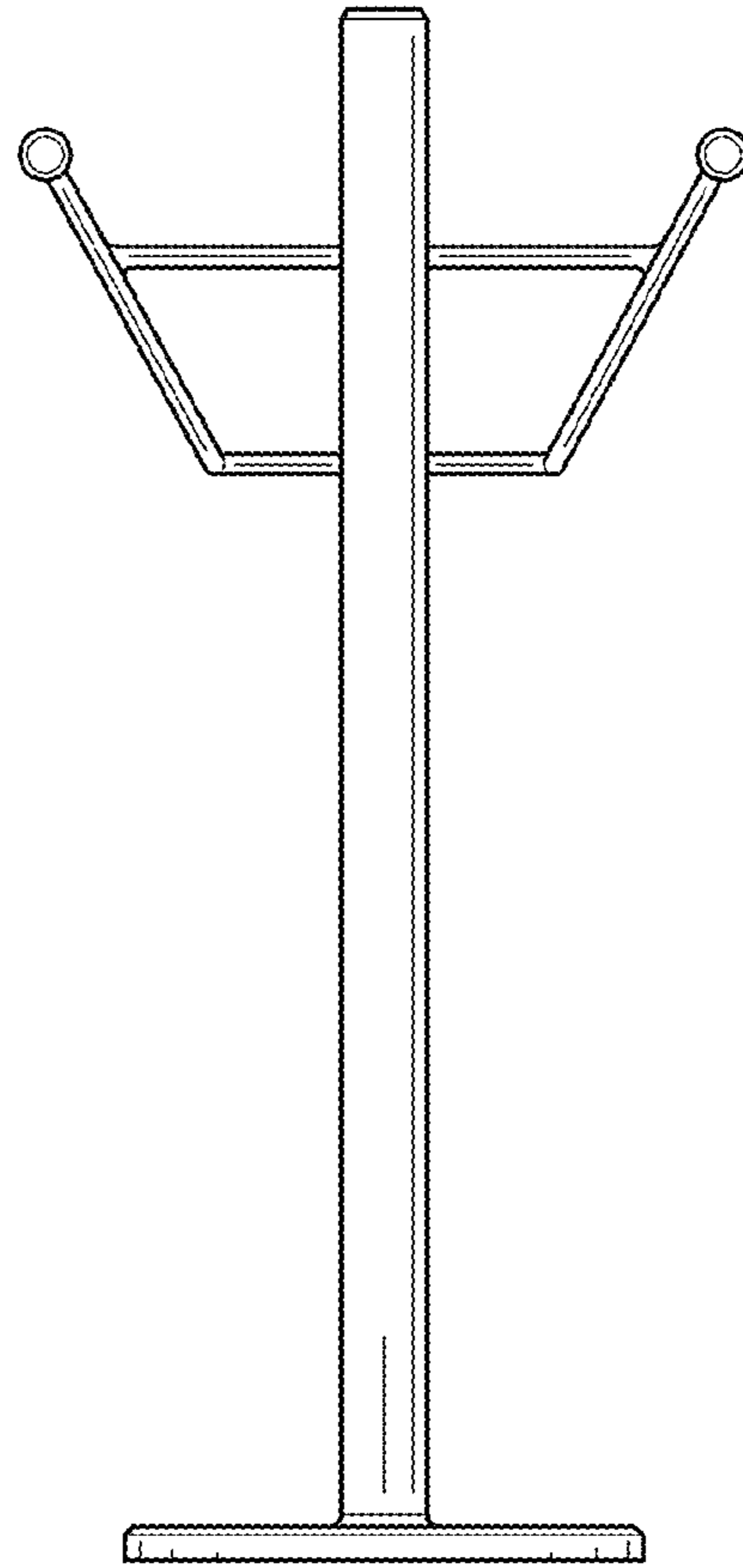


FIG. 5

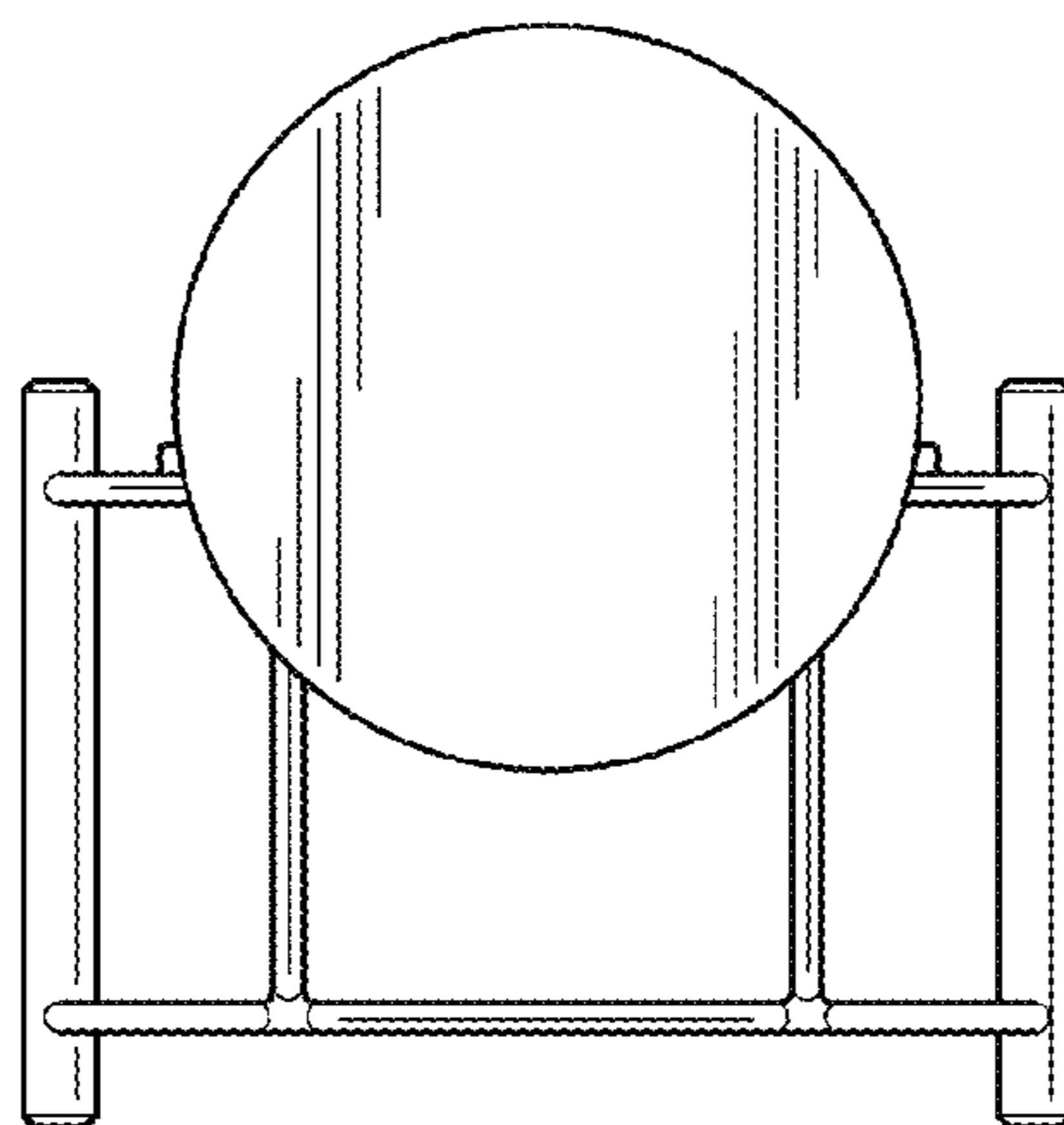


FIG. 6