

US00D734966S

(12) **United States Design Patent**
Greenspon

(10) **Patent No.:** **US D734,966 S**
(45) **Date of Patent:** **** Jul. 28, 2015**

- (54) **SHELF RACK**
- (71) Applicant: **Honey-Can-Do International, LLC,**
Berkeley, IL (US)
- (72) Inventor: **Steve Greenspon,** Berkeley, IL (US)
- (73) Assignee: **Honey Can Do International, LLC,**
Berkeley, IL (US)
- (**) Term: **14 Years**
- (21) Appl. No.: **29/445,835**
- (22) Filed: **Feb. 18, 2013**
- (51) **LOC (10) Cl.** **06-06**
- (52) **U.S. Cl.**
USPC **D6/675.2**
- (58) **Field of Classification Search**
USPC D6/396-397, 422-428, 429-430,
D6/449-451, 477-479, 552, 572-574, 675,
D6/675.1, 675.2; 108/59, 92-93, 107-108;
312/194-196, 223.3
CPC A47B 45/00; A47B 47/021
See application file for complete search history.

D424,836 S *	5/2000	Kopala, Jr.	D6/675.2
D432,820 S *	10/2000	Walters-Dowding et al.	D6/675.2
6,260,488 B1 *	7/2001	Yang et al.	108/107
6,443,410 B1 *	9/2002	Lee	248/235
D471,033 S *	3/2003	Yamaguchi	D6/675.2
6,561,107 B1 *	5/2003	Wood et al.	108/132
D485,092 S *	1/2004	Rosen	D6/675.2
D501,738 S *	2/2005	Clucas	D6/675.2
D540,568 S *	4/2007	Clucas	D6/675.2
D597,342 S *	8/2009	Dickson	D6/675.2
D602,712 S	10/2009	Ho	
D626,356 S	11/2010	Ho	
D657,979 S *	4/2012	Sokol et al.	D6/675.1
D683,983 S *	6/2013	Troyner et al.	D6/675.2
8,522,987 B2 *	9/2013	Lim	211/134
D696,878 S *	1/2014	Murphy	D6/675.1
D699,485 S *	2/2014	Hsu et al.	D6/675.1
D701,405 S *	3/2014	Pace et al.	D6/675.2

(Continued)

Primary Examiner — Kelley Donnelly

(74) *Attorney, Agent, or Firm* — Adam K. Sacharoff; Much
Shelist

(57) **CLAIM**

The ornamental design for a shelf rack, as shown and
described.

DESCRIPTION

FIG. 1 is a front/right perspective view of a shelf rack showing
our new design;

FIG. 2 is a front side view of FIG. 1;

FIG. 3 is a back side view of FIG. 1;

FIG. 4 is a right side view of FIG. 1;

FIG. 5 is a left side view of FIG. 1;

FIG. 6 is a top side view of FIG. 1; and,

FIG. 7 is a bottom side view of FIG. 1.

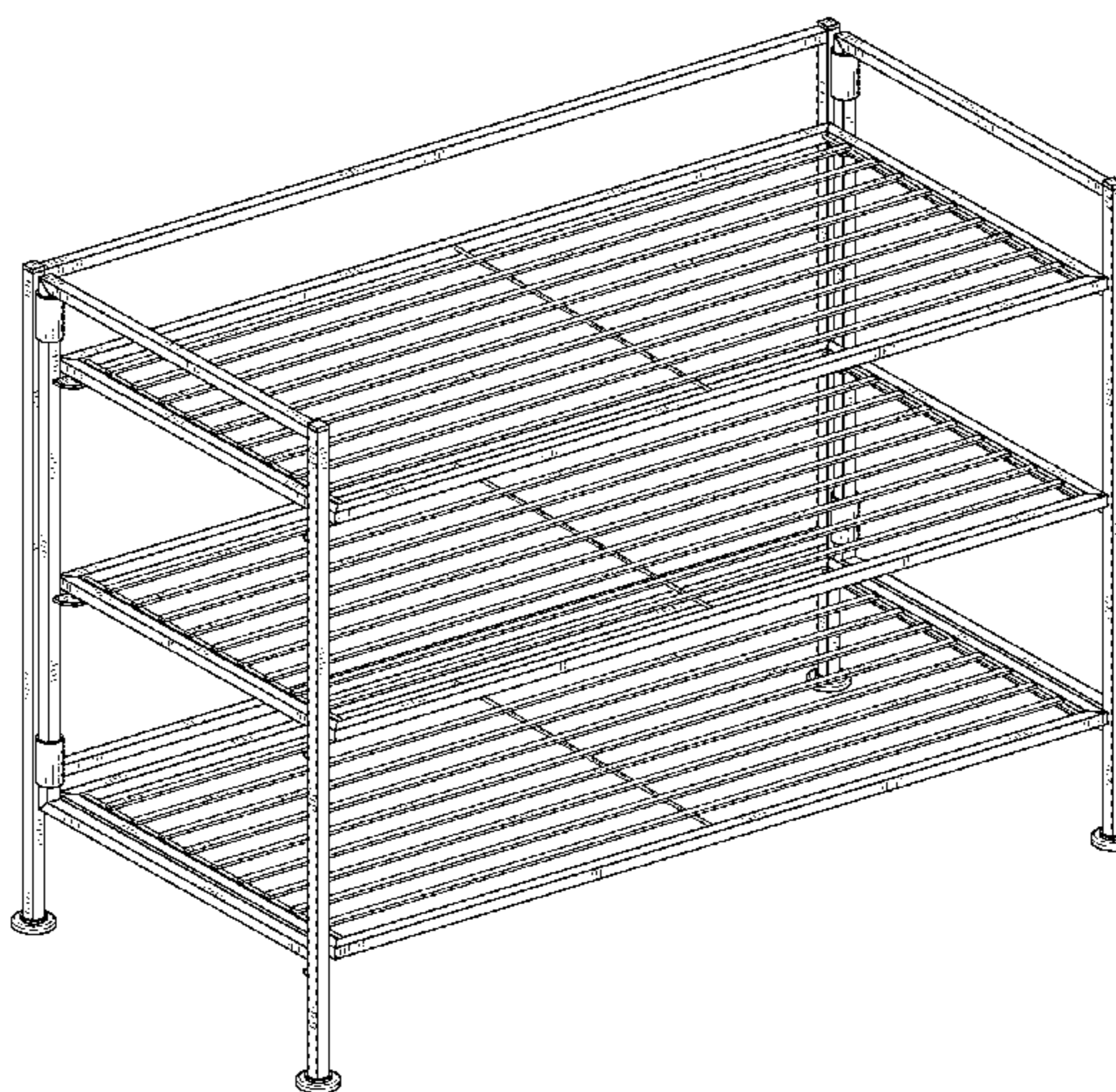
The surface shading illustrated in the drawings is provided
merely to highlight the contour of the design; it is not intended
to be illustrative of texture or gloss and forms no part of the
claimed design.

1 Claim, 5 Drawing Sheets

(56) **References Cited**

U.S. PATENT DOCUMENTS

2,913,128 A *	11/1959	Milner	108/181
D215,773 S *	10/1969	Maslow	D6/462
4,637,323 A *	1/1987	Nicely	108/107
D292,658 S *	11/1987	Kester	D6/675.2
4,895,382 A *	1/1990	Andersson	280/33.991
D308,776 S *	6/1990	Yau Kee	D6/675.2
4,978,013 A *	12/1990	Hogg	211/133.2
D314,101 S *	1/1991	Yau Kee	D6/675.2
D314,103 S *	1/1991	Yau Kee	D6/675.2
D314,679 S *	2/1991	Kee	D6/675.2
D323,256 S *	1/1992	Kee	D6/675.2
D328,400 S *	8/1992	Kee	D6/675.2
5,676,263 A *	10/1997	Chang	211/187
5,913,270 A *	6/1999	Price	108/101



US D734,966 S

Page 2

(56)

References Cited

U.S. PATENT DOCUMENTS

D703,467 S * 4/2014 Ho et al. D6/675.1
D703,468 S * 4/2014 Ho et al. D6/675.1
D713,179 S * 9/2014 Colless et al. D6/675.2

D714,079 S * 9/2014 Wehner et al. D6/675.2
D714,080 S * 9/2014 Wehner et al. D6/675.2
D714,084 S * 9/2014 Hsu et al. D6/683
D723,843 S * 3/2015 Lai D6/675.1
D724,357 S * 3/2015 Lim D6/675.1

* cited by examiner

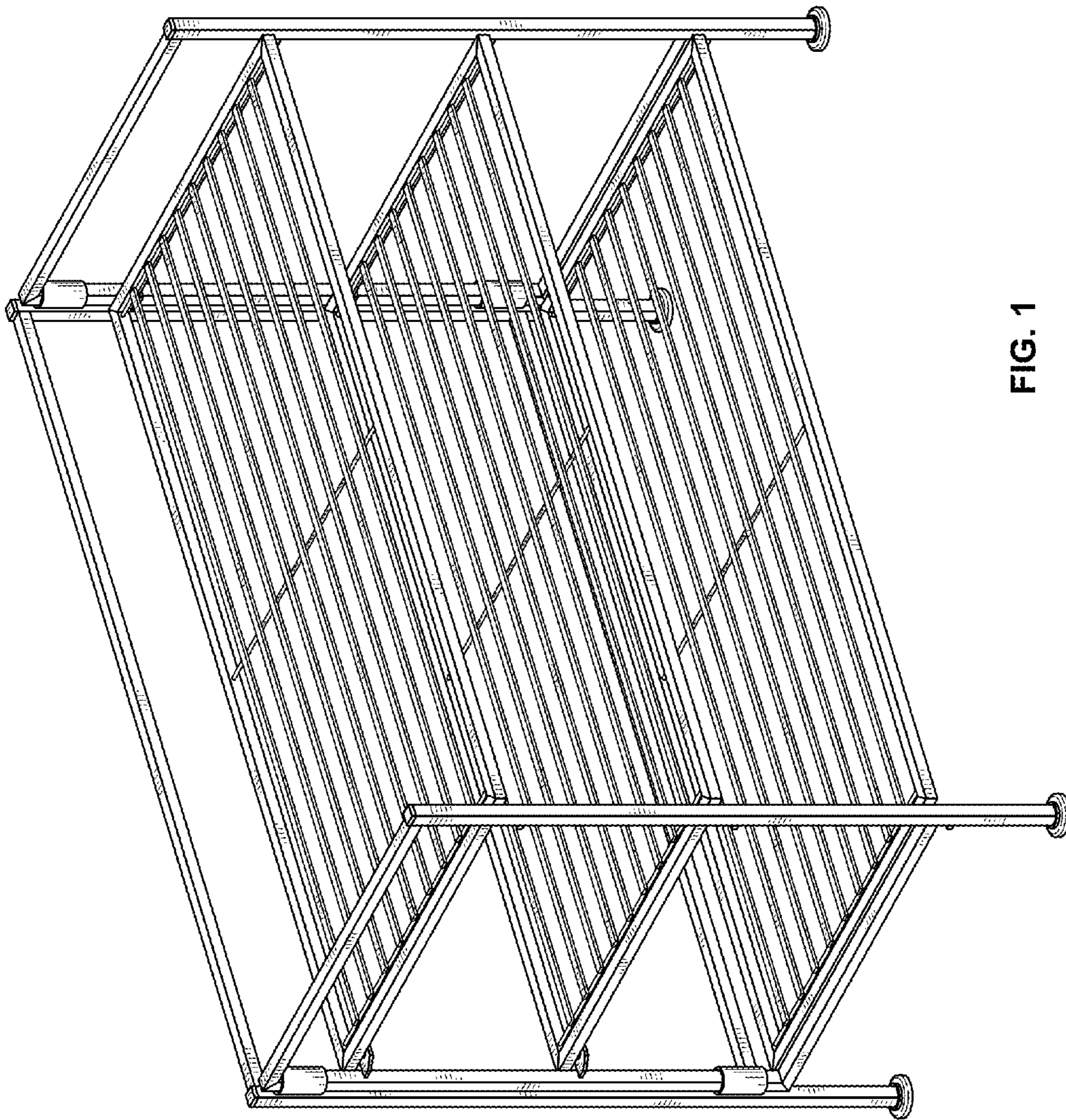


FIG. 1



FIG. 2

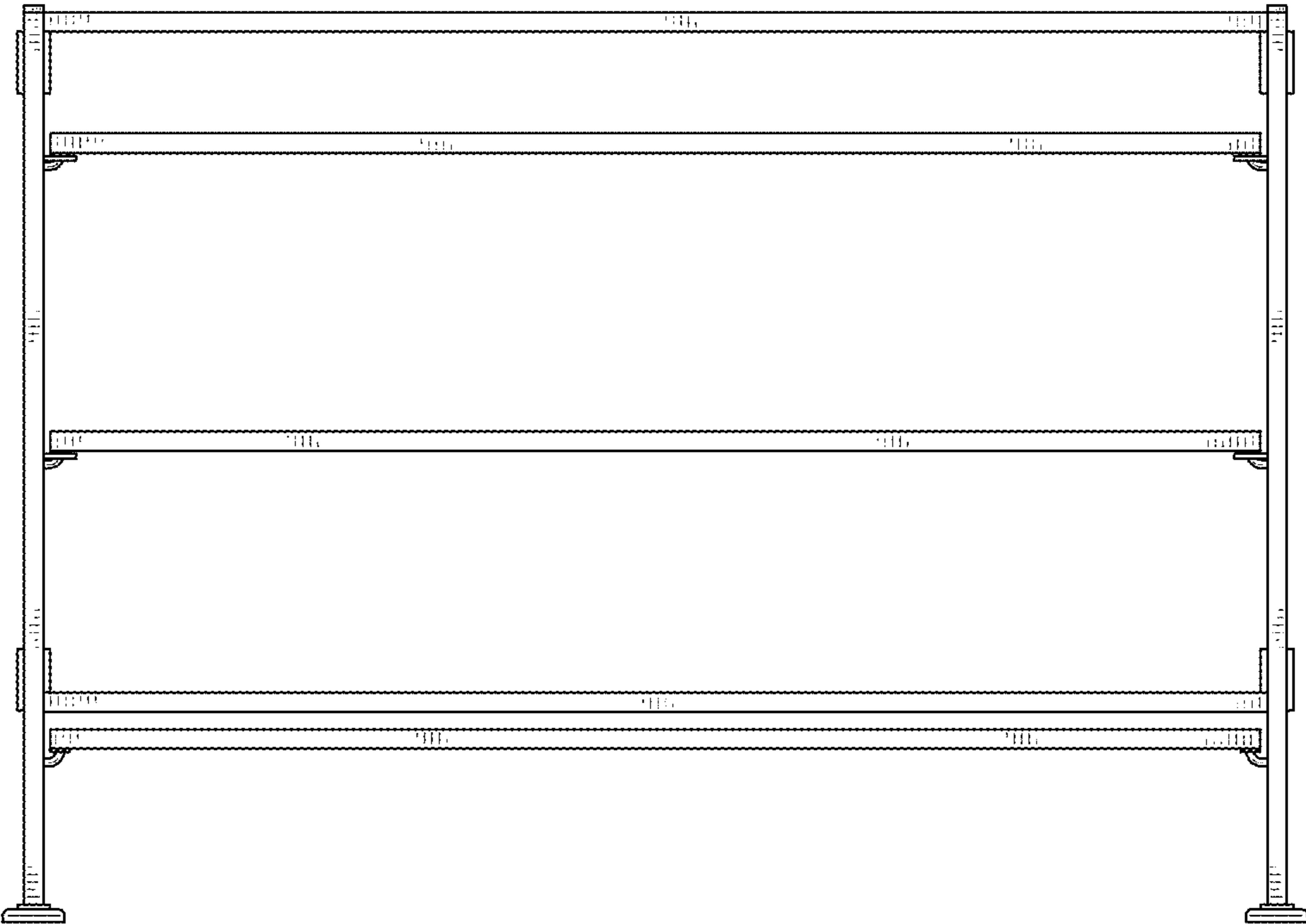


FIG. 3

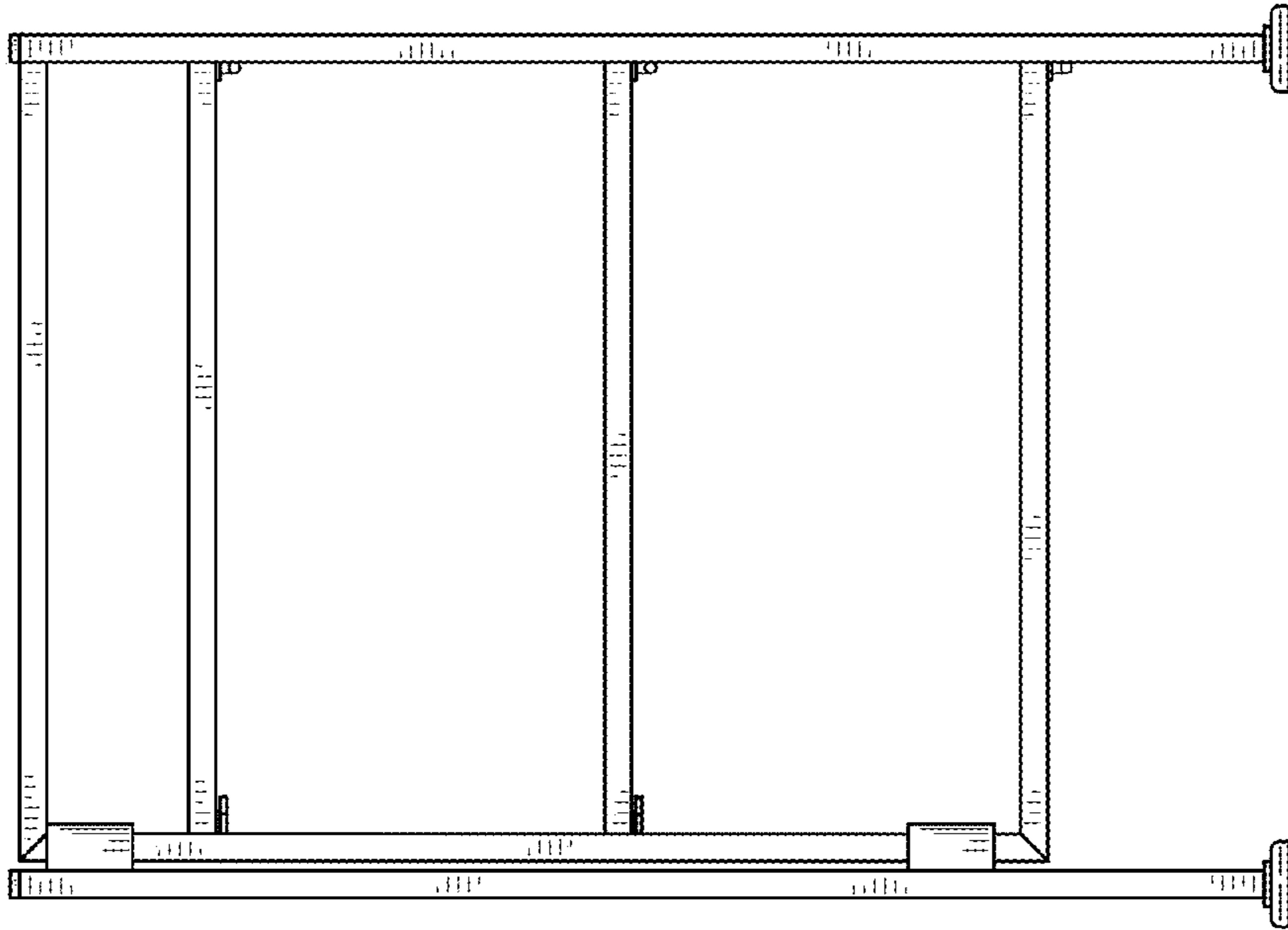


FIG. 5

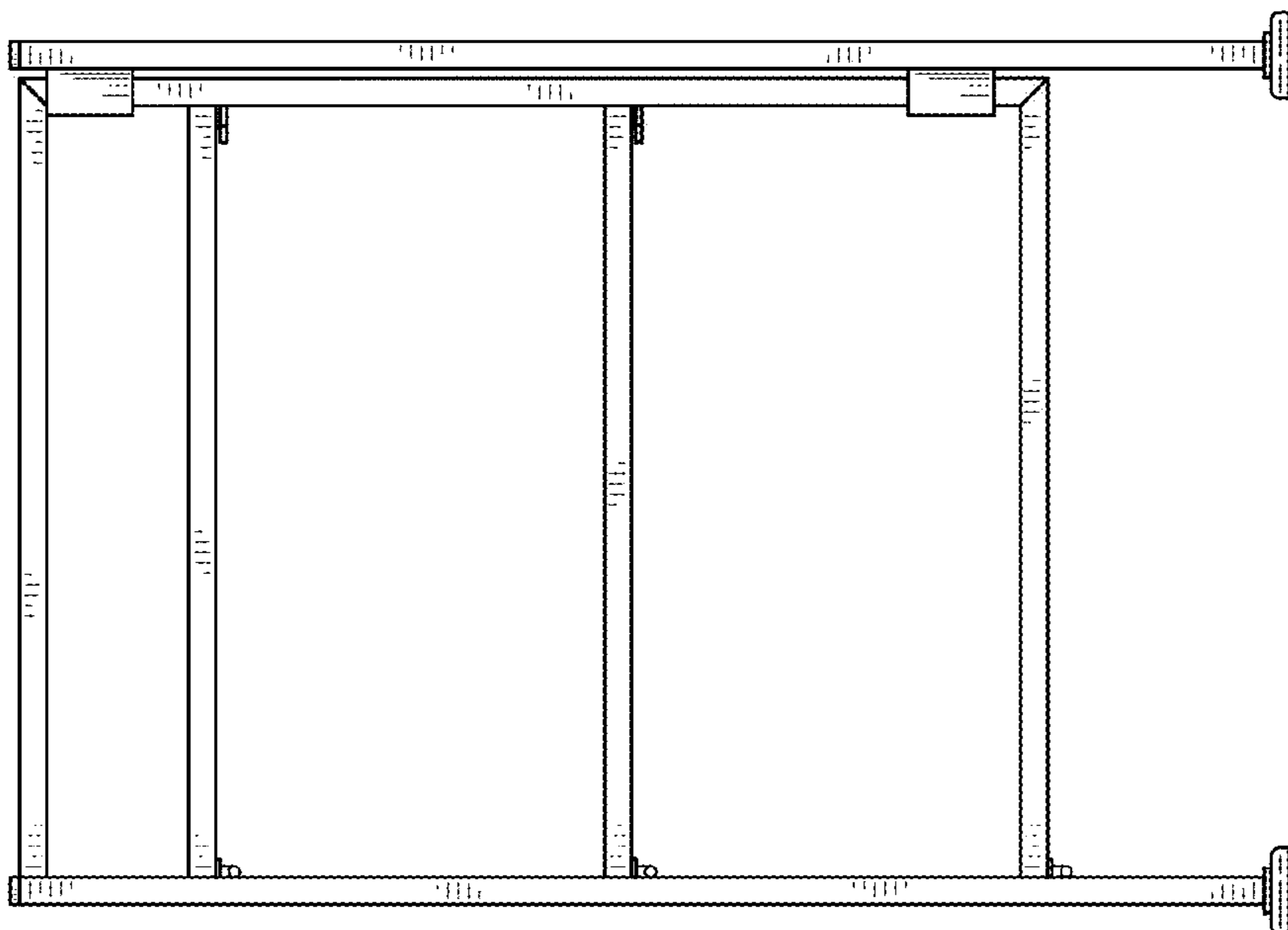


FIG. 4

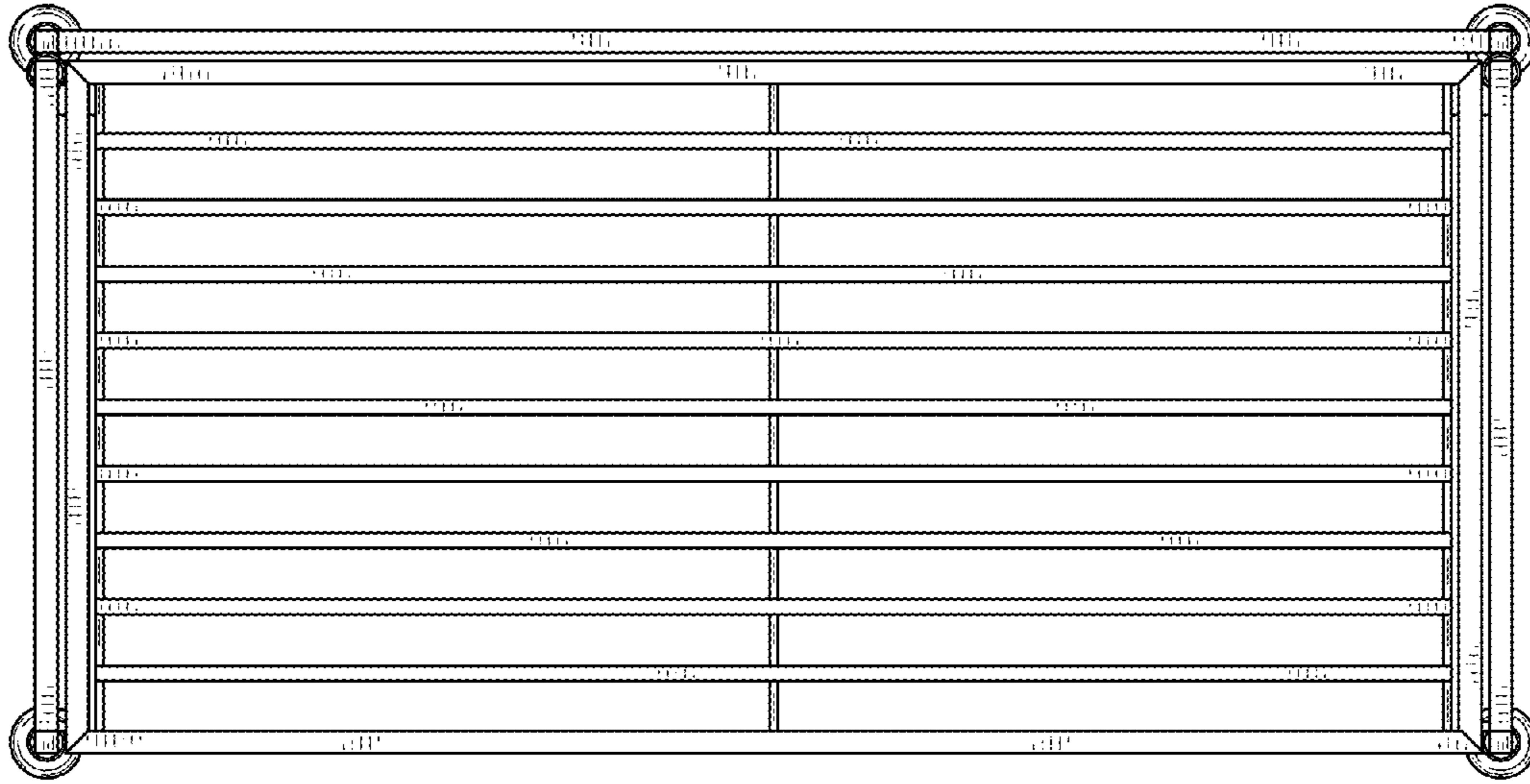


FIG. 6

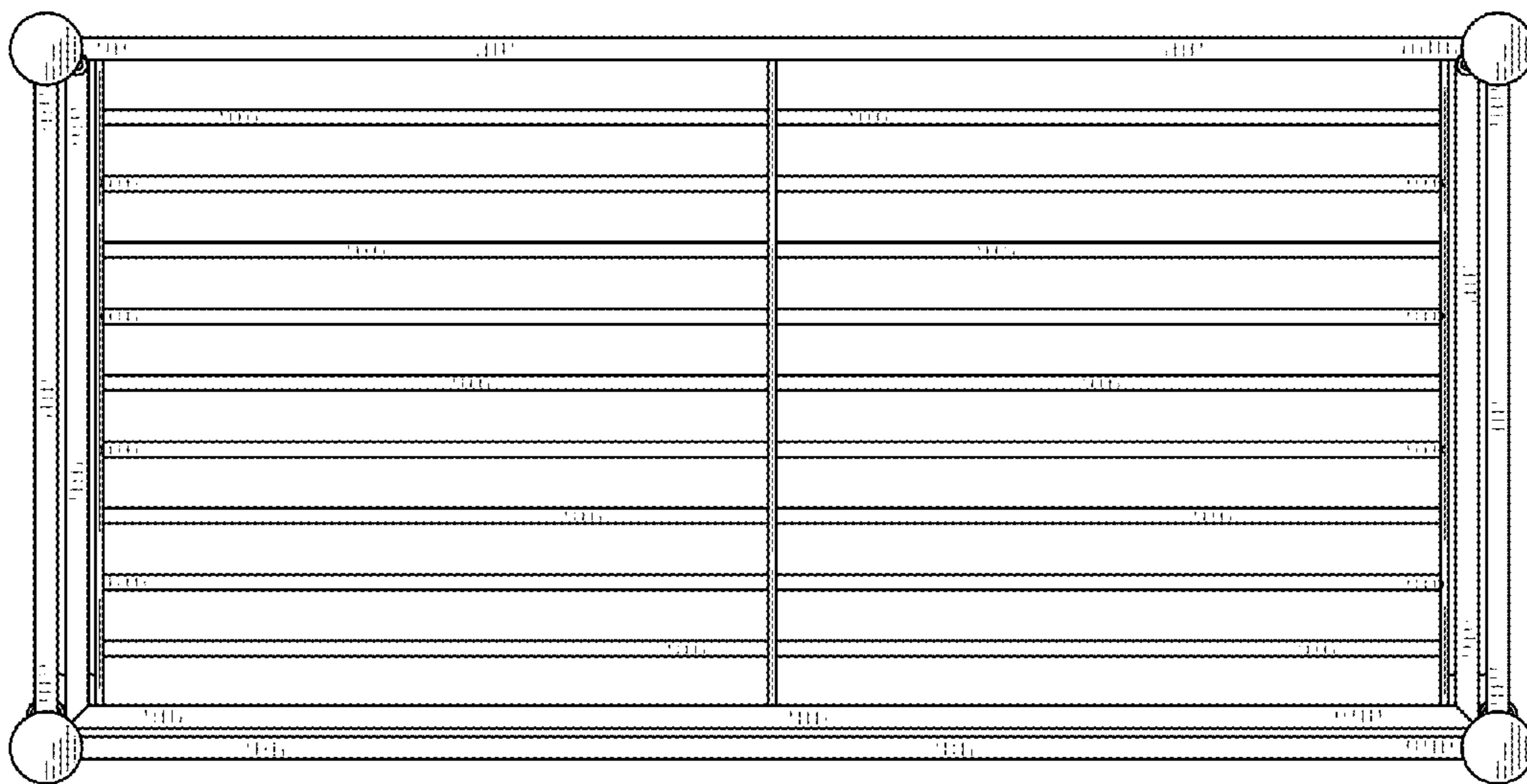


FIG. 7