



US00D734965S

(12) **United States Design Patent**  
**Tio et al.**

(10) **Patent No.:** **US D734,965 S**  
(45) **Date of Patent:** **\*\* Jul. 28, 2015**

- (54) **DISPLAY STRUCTURE**
- (71) Applicant: **Apple Inc.**, Cupertino, CA (US)
- (72) Inventors: **Federico F. Tio**, Santa Cruz, CA (US);  
**Frank Craig Thaler**, Santa Cruz, CA (US);  
**Wesley B. Hamm**, San Francisco, CA (US);  
**Kevin Fenton Smeds**, San Francisco, CA (US);  
**Russell John Kaaihue Heirakuji**, Cupertino, CA (US)
- (73) Assignee: **Apple Inc.**, Cupertino, CA (US)
- (\*\*) Term: **14 Years**
- (21) Appl. No.: **29/499,677**
- (22) Filed: **Aug. 18, 2014**

D354,638	S	1/1995	Todd et al.	
D377,012	S *	12/1996	Oslund	D14/128
5,607,070	A *	3/1997	Hellyer	211/189
D379,377	S *	5/1997	Rath	D20/41
D392,686	S *	3/1998	Sarkisian et al.	D20/41
D395,677	S *	6/1998	Gongora et al.	D20/10
D397,562	S *	9/1998	DePottey et al.	D6/468
D398,653	S *	9/1998	Hiraguchi et al.	D20/10
5,890,607	A *	4/1999	Maglione	211/189
D434,929	S	12/2000	Heiny et al.	
D438,256	S *	2/2001	Timmermans et al.	D20/10
D443,308	S *	6/2001	Kovell	D20/10

(Continued)

*Primary Examiner* — Kelley Donnelly

(74) *Attorney, Agent, or Firm* — Sterne, Kessler, Goldstein & Fox P.L.L.C.

(57) **CLAIM**

The ornamental design for a display structure, as shown and described.

**DESCRIPTION**

FIG. 1 is a top front perspective view of an embodiment of a display structure showing our new design;  
 FIG. 2 is a front view thereof;  
 FIG. 3 is a rear view thereof;  
 FIG. 4 is a left side view thereof;  
 FIG. 5 is a right side view thereof;  
 FIG. 6 is a top view thereof;  
 FIG. 7 is a bottom view thereof;  
 FIG. 8 is a top front perspective view of another embodiment of a display structure showing our new design;  
 FIG. 9 is a front view thereof;  
 FIG. 10 is a rear view thereof;  
 FIG. 11 is a left side view thereof;  
 FIG. 12 is a right side view thereof;  
 FIG. 13 is a top view thereof; and,  
 FIG. 14 is a bottom view thereof.

The broken lines in the Figures show portions of a display structure and environment which form no part of the claimed design.

**Related U.S. Application Data**

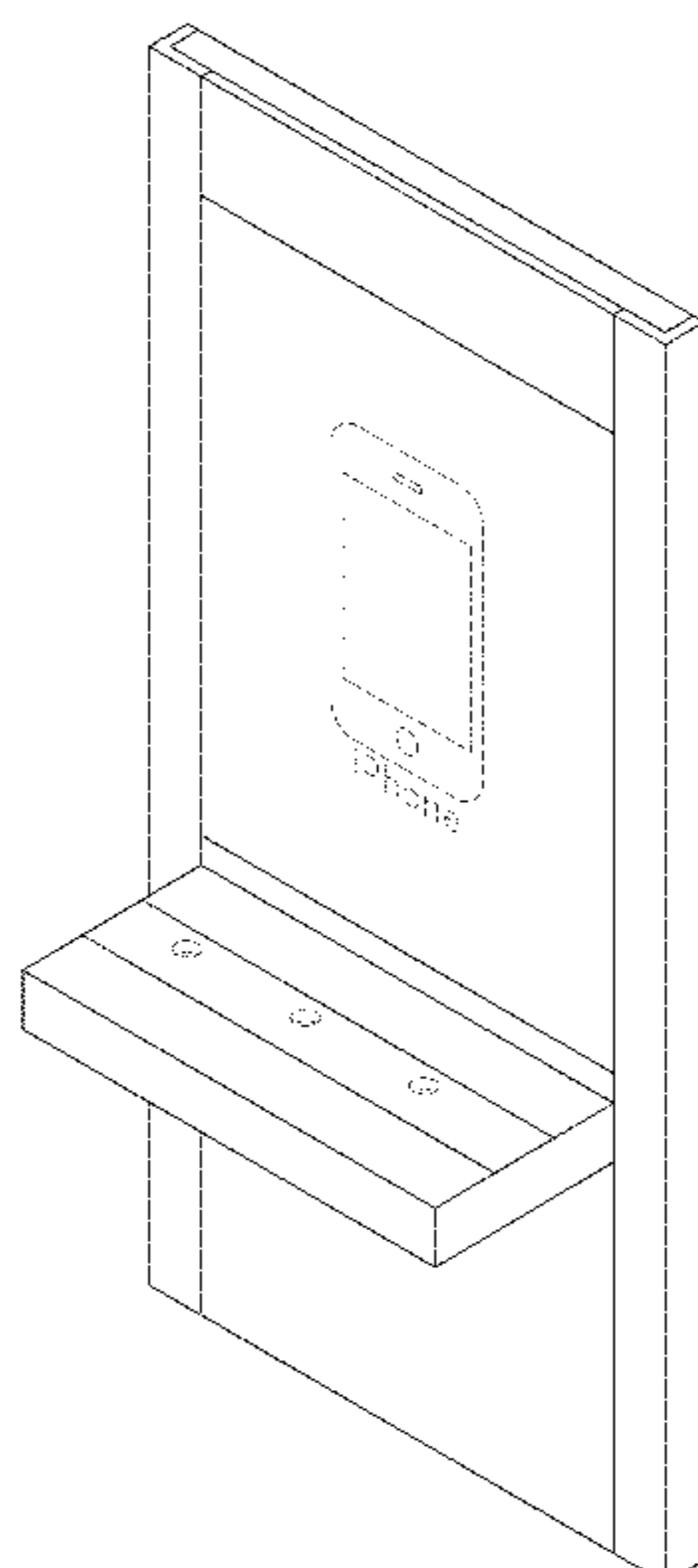
- (63) Continuation of application No. 29/432,724, filed on Sep. 19, 2012, now Pat. No. Des. 713,658.
- (51) **LOC (10) Cl.** ..... **06-06**
- (52) **U.S. Cl.**  
USPC ..... **D6/675**
- (58) **Field of Classification Search**  
USPC ..... D6/468, 470, 473–479, 396–397,  
D6/432–436, 449–451, 672–673,  
D6/675–675.1; 211/42, 44–45, 48, 50,  
211/90.01, 133.1; 312/7.2, 9.1, 107–109,  
312/117–119, 278–279; 108/59, 108, 161  
CPC ..... A47F 5/0018  
See application file for complete search history.

(56) **References Cited**

**U.S. PATENT DOCUMENTS**

3,721,413	A *	3/1973	Robinson	248/174
D291,512	S *	8/1987	Everett	D6/465
D317,681	S *	6/1991	Stewart et al.	D6/310
D321,100	S	10/1991	Dorrell	
D351,863	S *	10/1994	Sarkisian et al.	D20/41

**1 Claim, 10 Drawing Sheets**



(56)

References Cited

U.S. PATENT DOCUMENTS

D468,134 S *	1/2003	Oikawa .....	D6/466	D657,978 S	4/2012	Hamm et al.	
D478,582 S *	8/2003	Becker et al. ....	D14/302	D658,615 S *	5/2012	Chiu .....	D14/126
D509,543 S *	9/2005	Hillstrom et al. ....	D20/41	D660,361 S *	5/2012	Carver, Jr. ....	D20/19
D559,577 S *	1/2008	Quinn .....	D6/397	D661,123 S *	6/2012	Curbbun et al. ....	D6/396
D584,075 S *	1/2009	Hung .....	D6/449	D661,124 S	6/2012	Curbbun et al.	
D585,943 S *	2/2009	Pymm et al. ....	D20/10	8,228,668 B2 *	7/2012	Asamarai et al. ....	361/679.05
D590,630 S	4/2009	Singler et al.		D671,535 S	11/2012	Terashima et al.	
D591,531 S	5/2009	Sparkowski		D678,696 S	3/2013	Hamm et al.	
D592,422 S	5/2009	Rheault		D679,521 S	4/2013	Hamm et al.	
D610,832 S	3/2010	Rheault		D688,494 S	8/2013	Hamm et al.	
D632,903 S	2/2011	Paul		D693,156 S	11/2013	Hamm et al.	
D636,441 S *	4/2011	Potts .....	D20/19	D722,313 S *	2/2015	Birgeoglu .....	D14/307
D639,086 S *	6/2011	Curbbun et al. ....	D6/396	D722,794 S *	2/2015	Luong .....	D6/673
D649,192 S	11/2011	Beukema et al.		D723,025 S *	2/2015	Birgeoglu .....	D14/307
				D723,026 S *	2/2015	Birgeoglu .....	D14/307
				2005/0279033 A1 *	12/2005	Faber et al. ....	52/36.4

\* cited by examiner

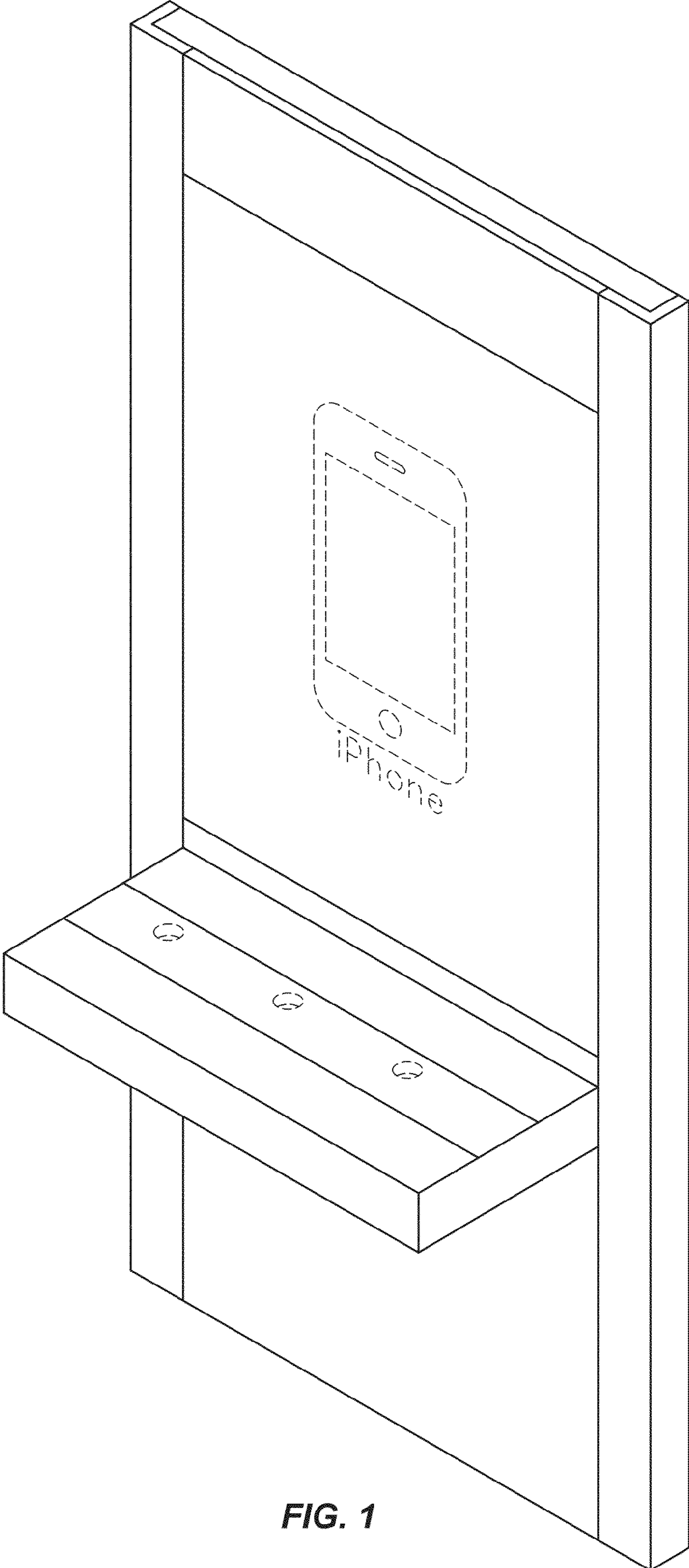
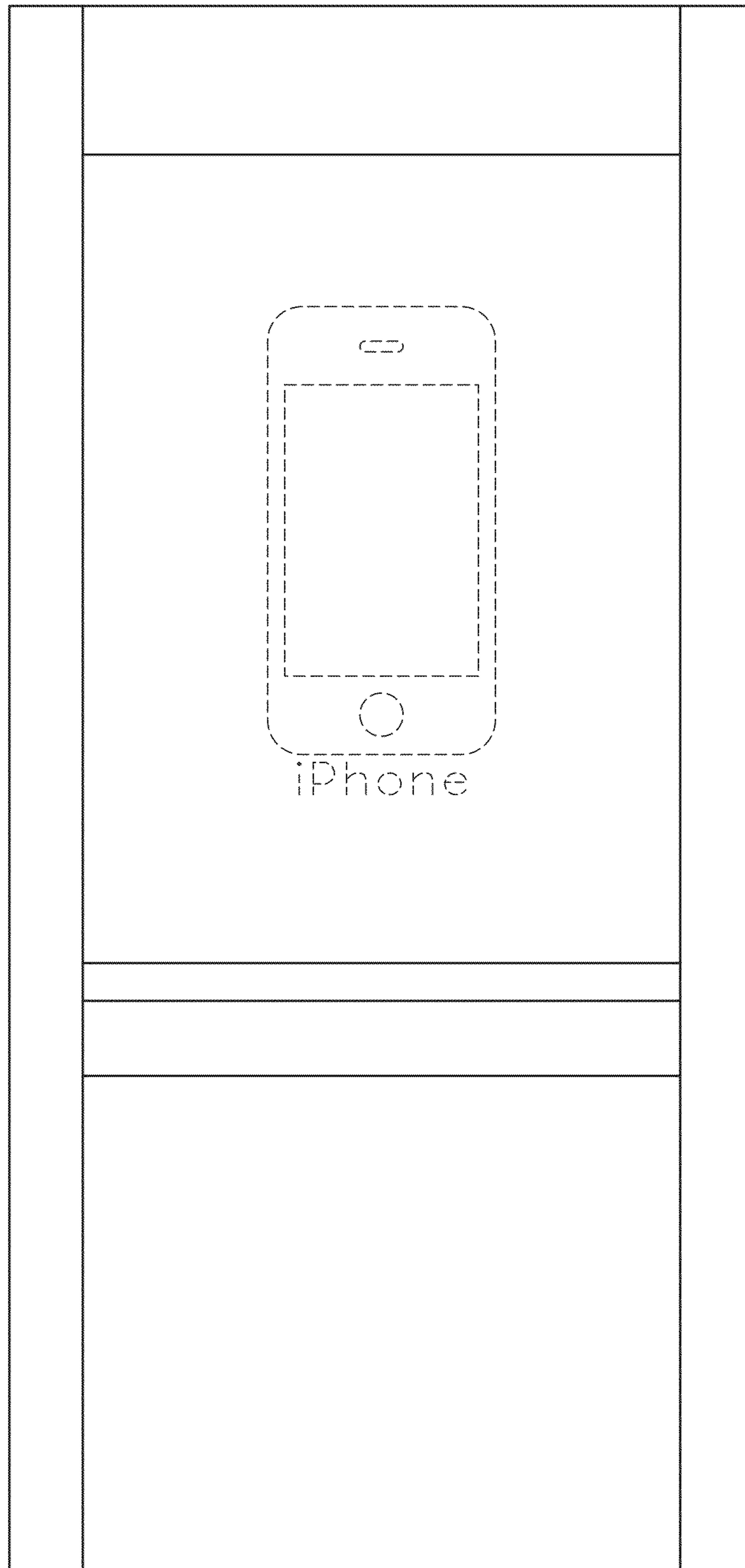
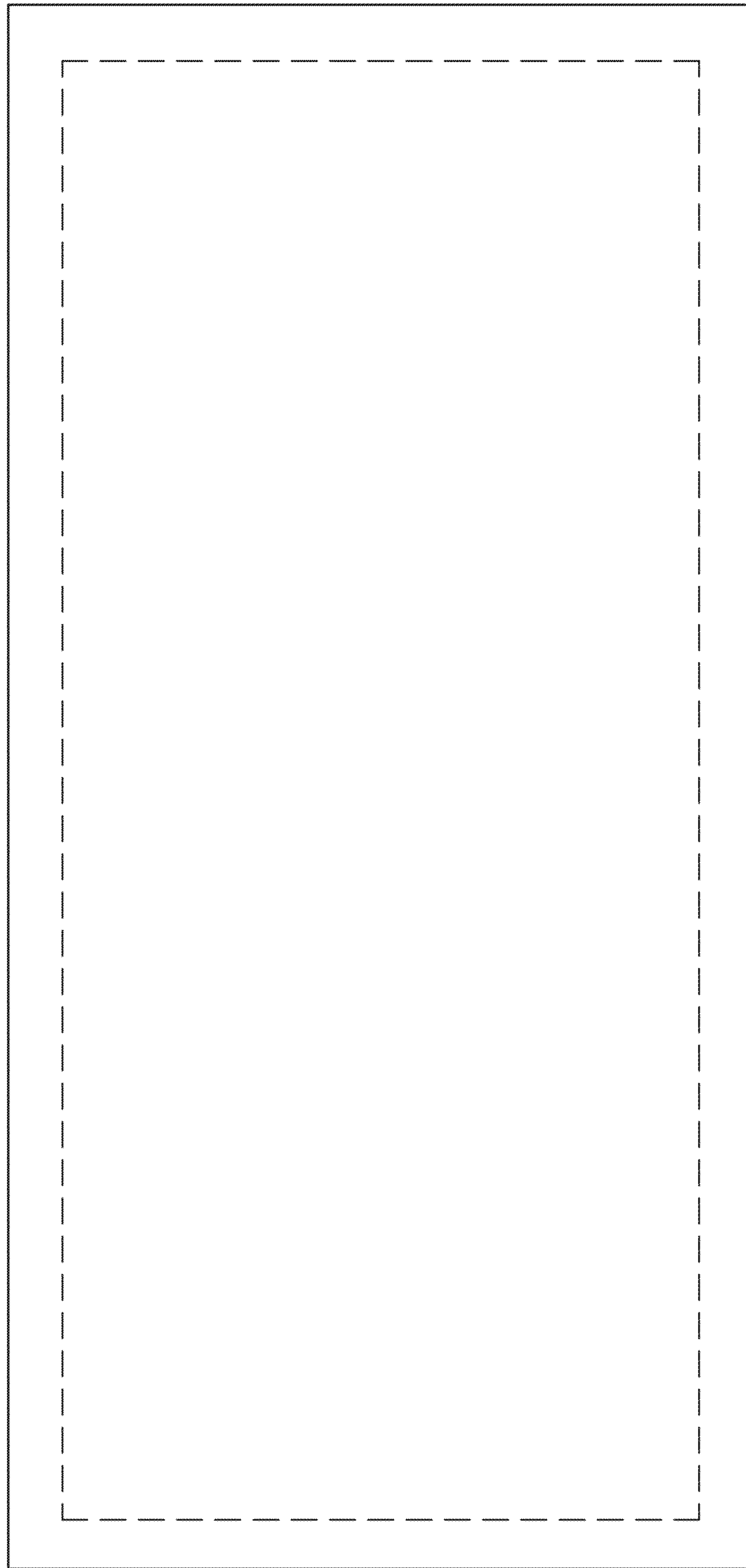


FIG. 1



**FIG. 2**



**FIG. 3**

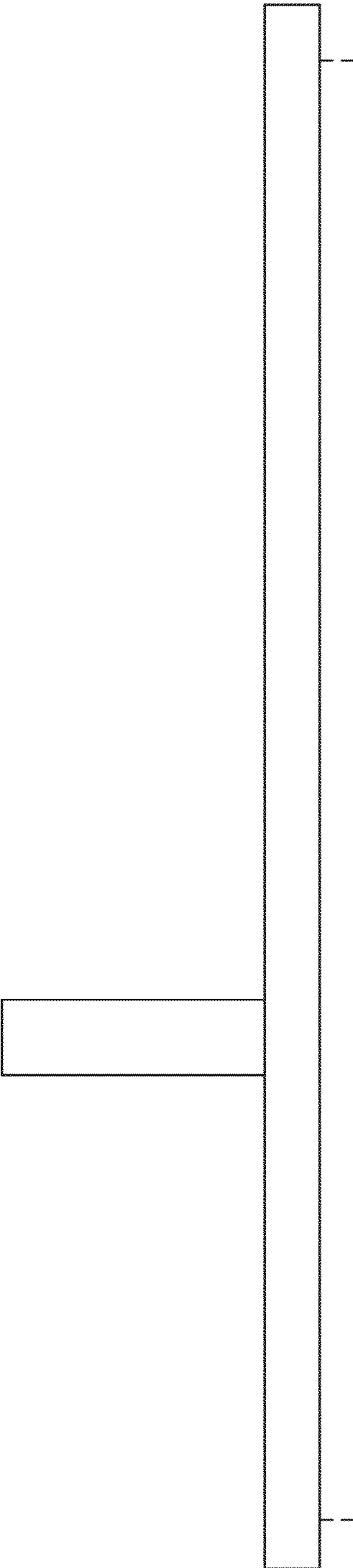


FIG. 4

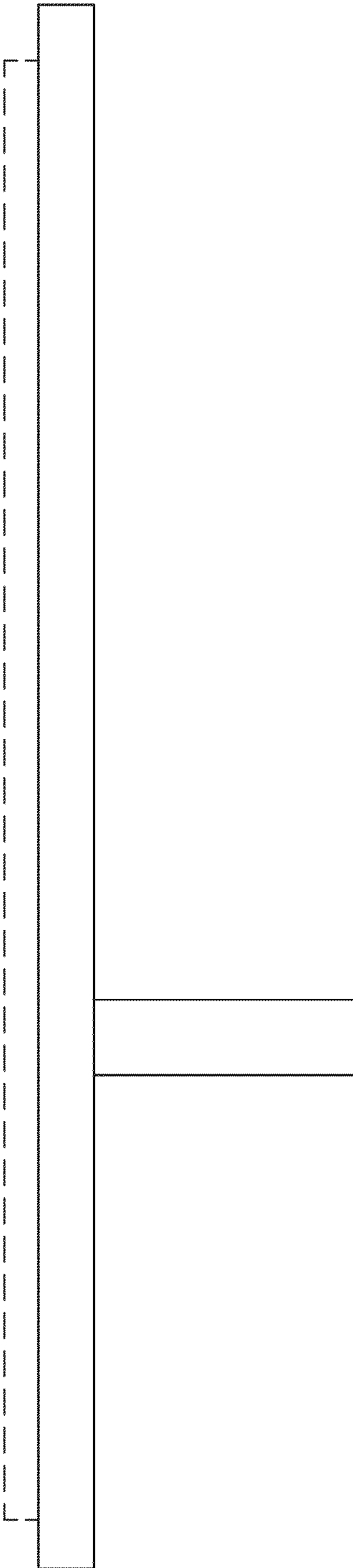
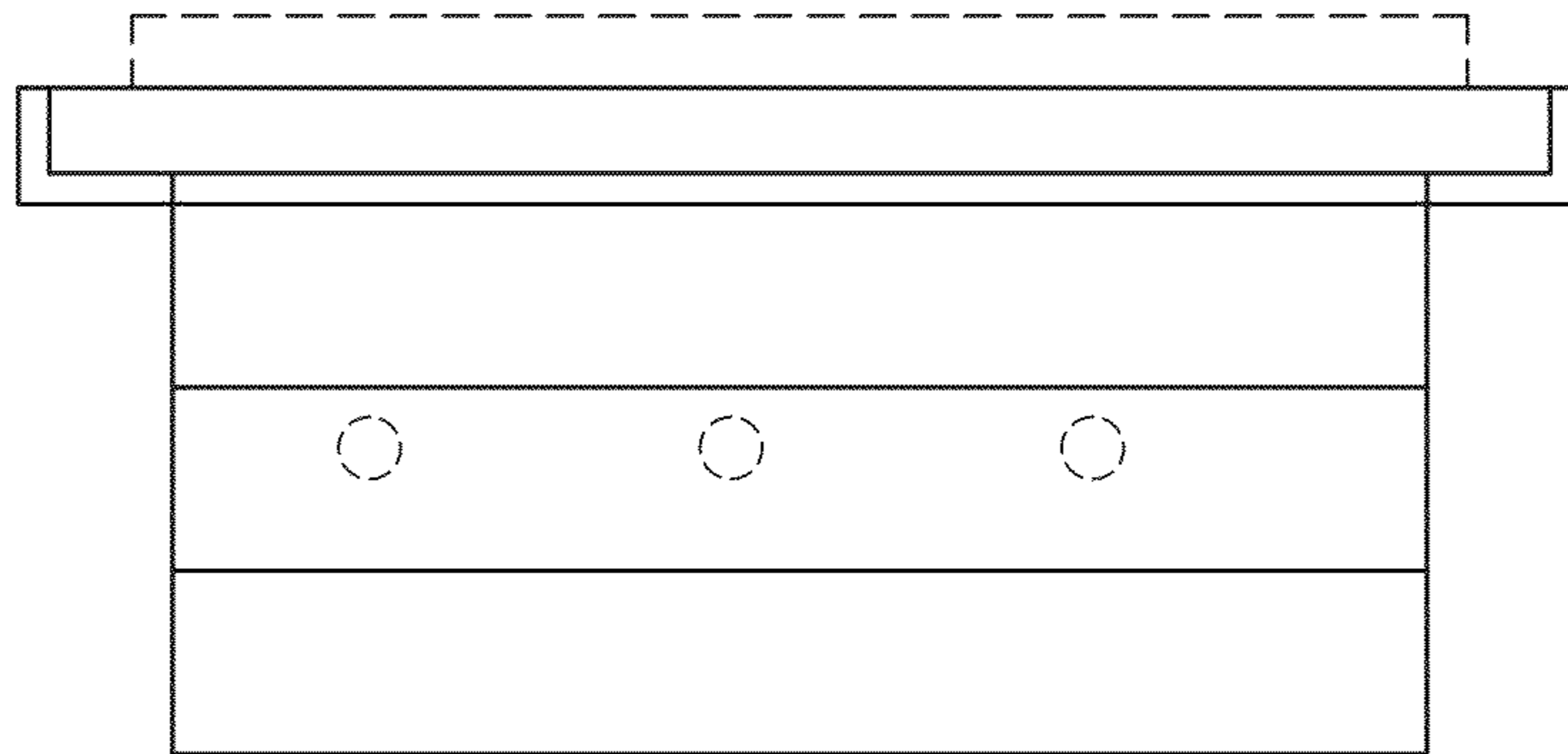
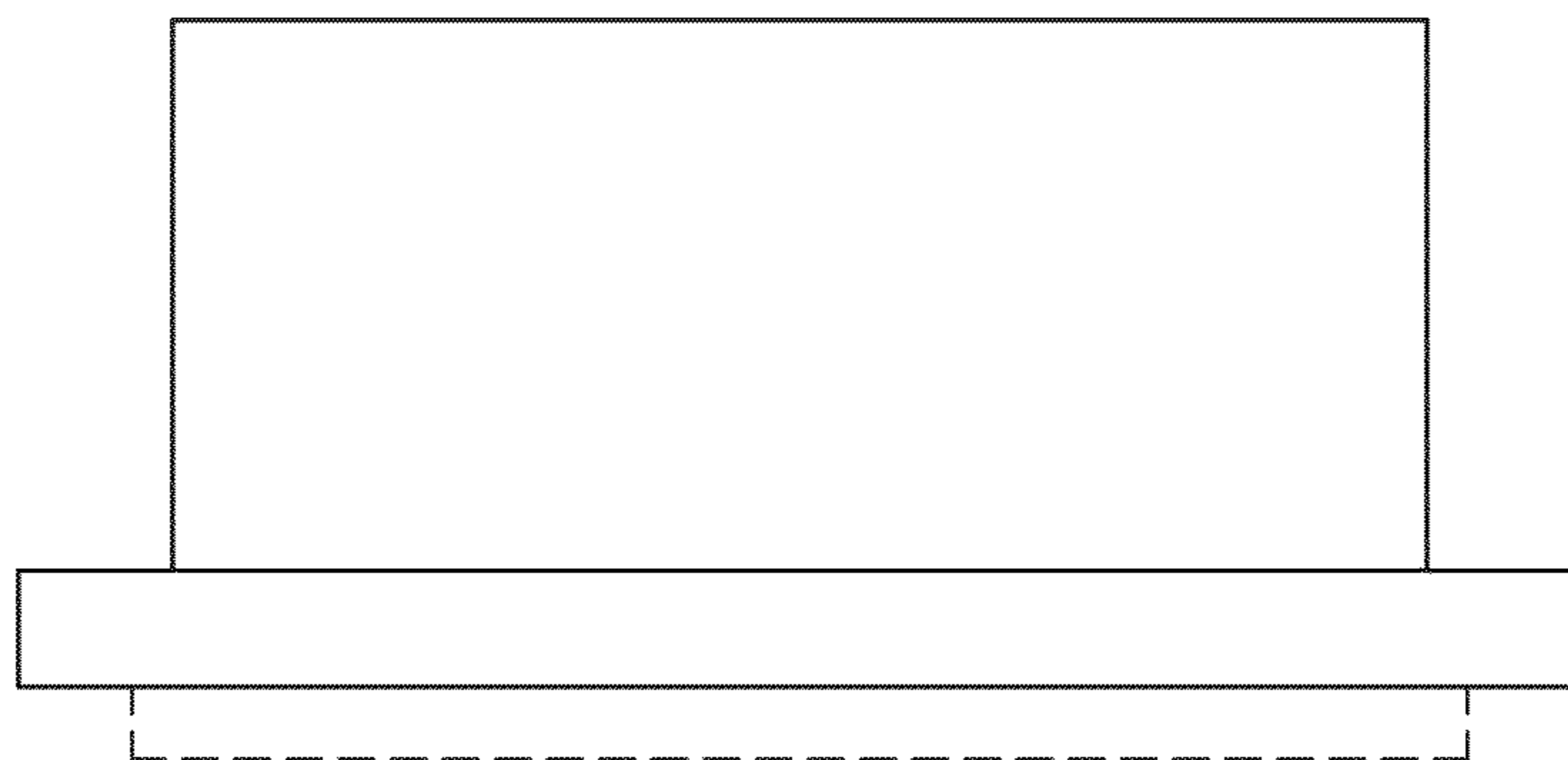


FIG. 5



**FIG. 6**



**FIG. 7**

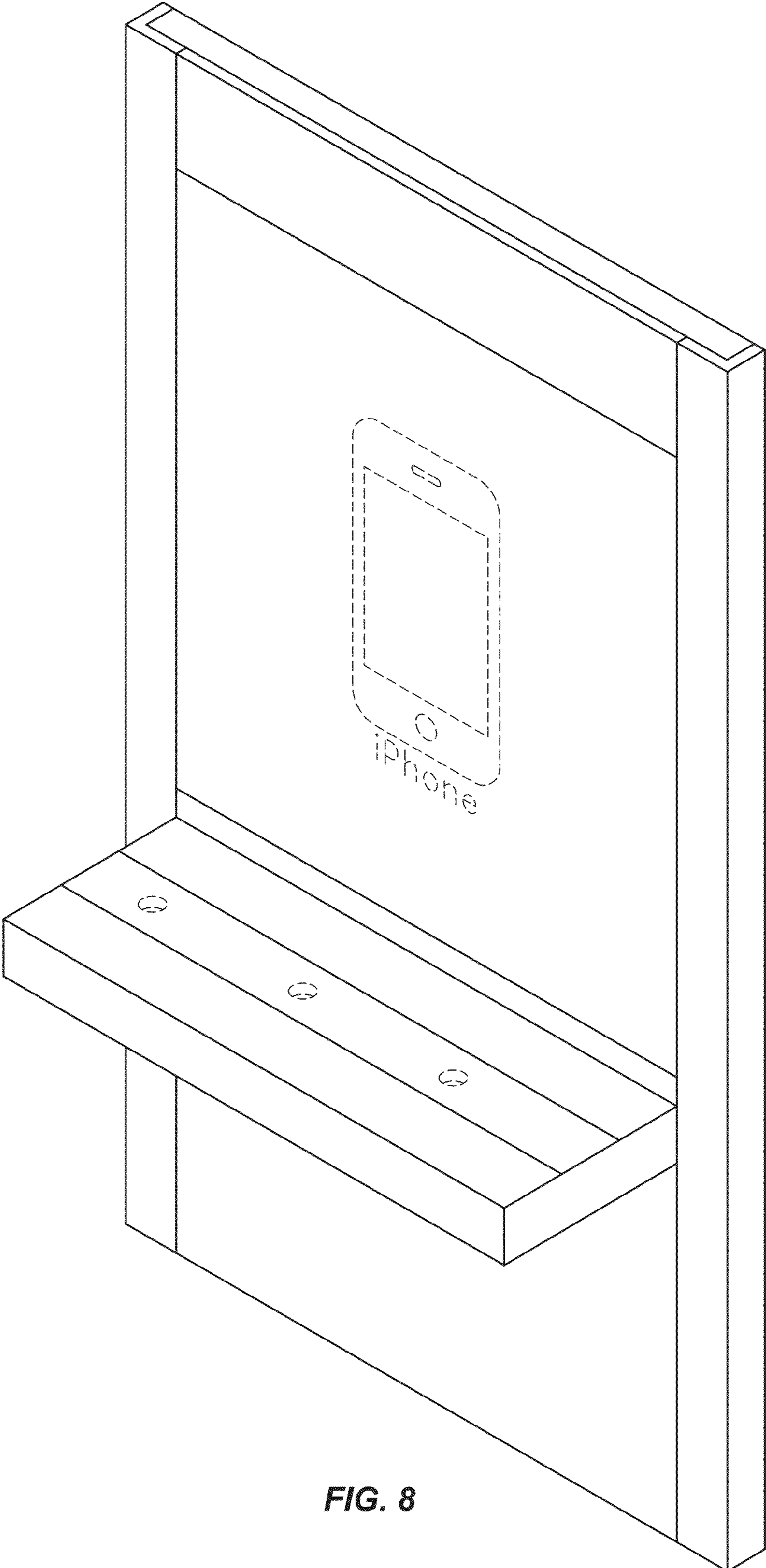
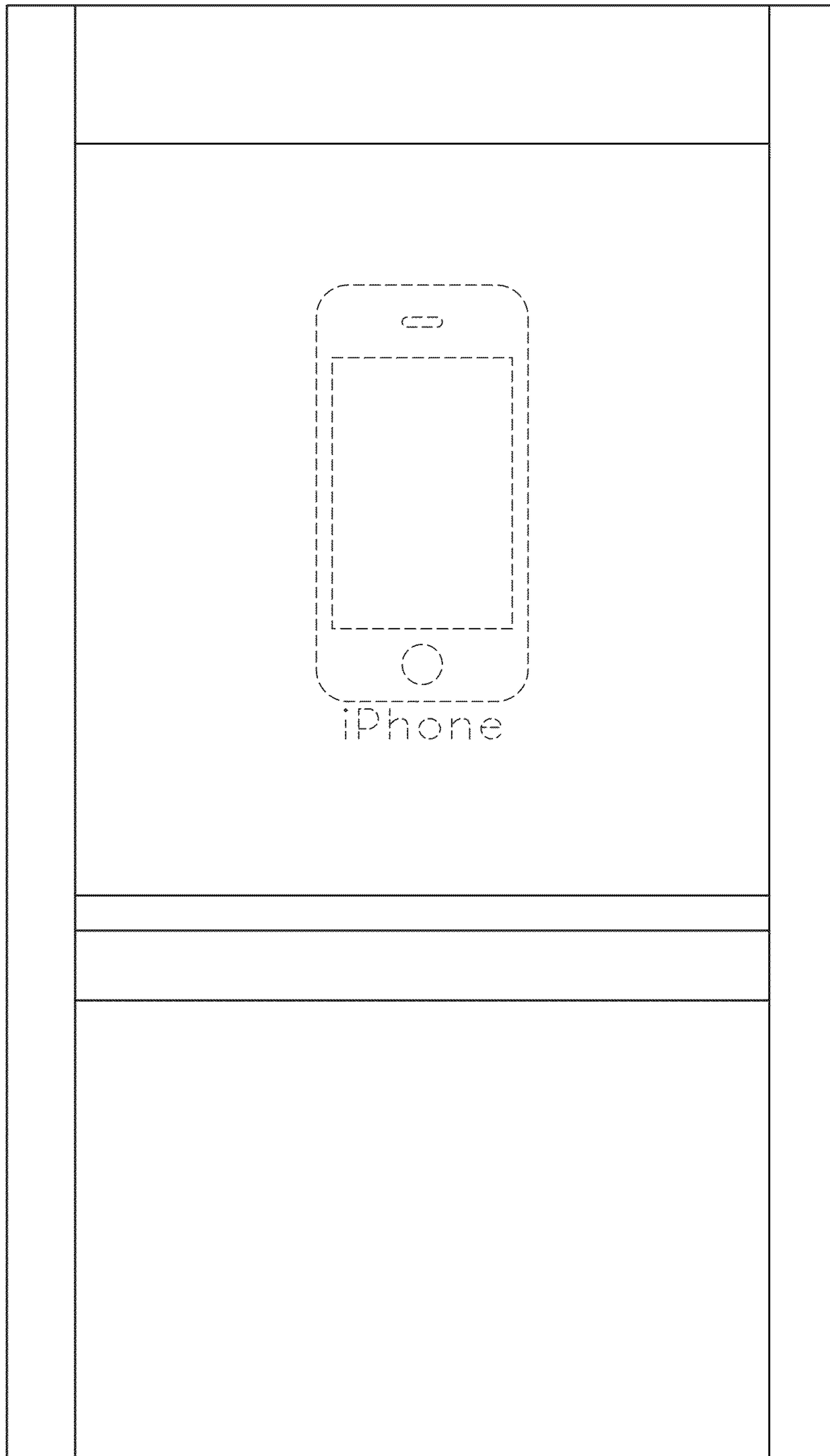
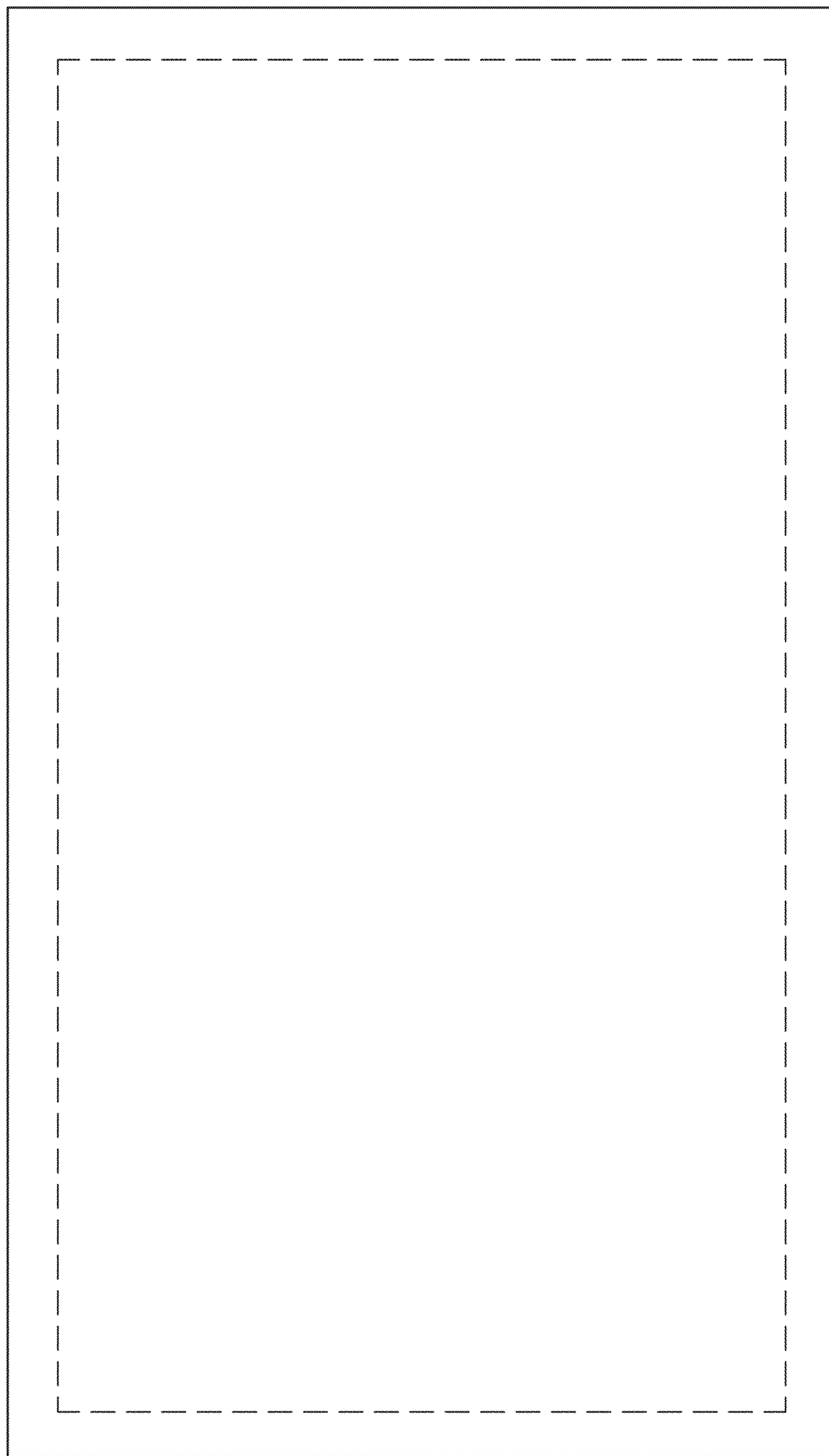


FIG. 8





**FIG. 9**



**FIG. 10**

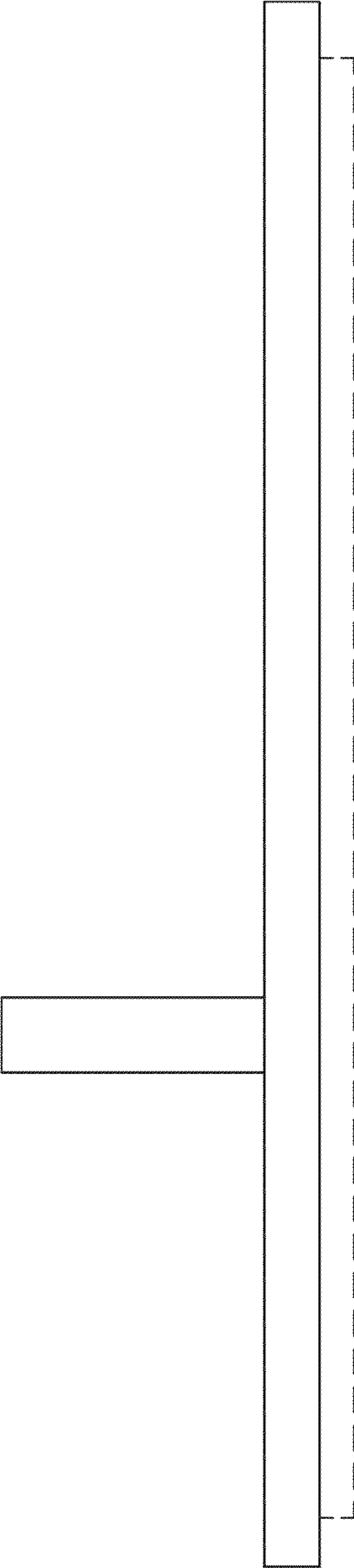


FIG. 11

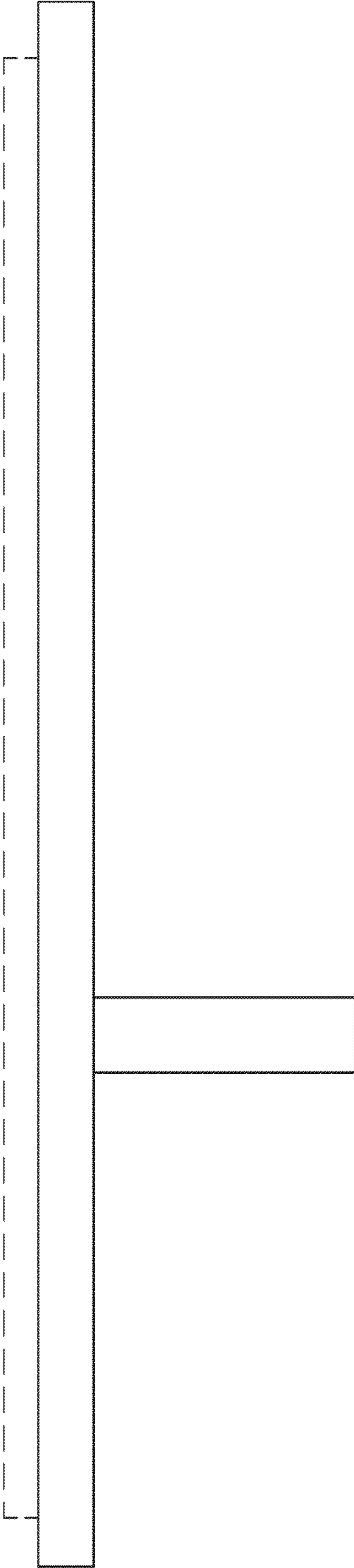
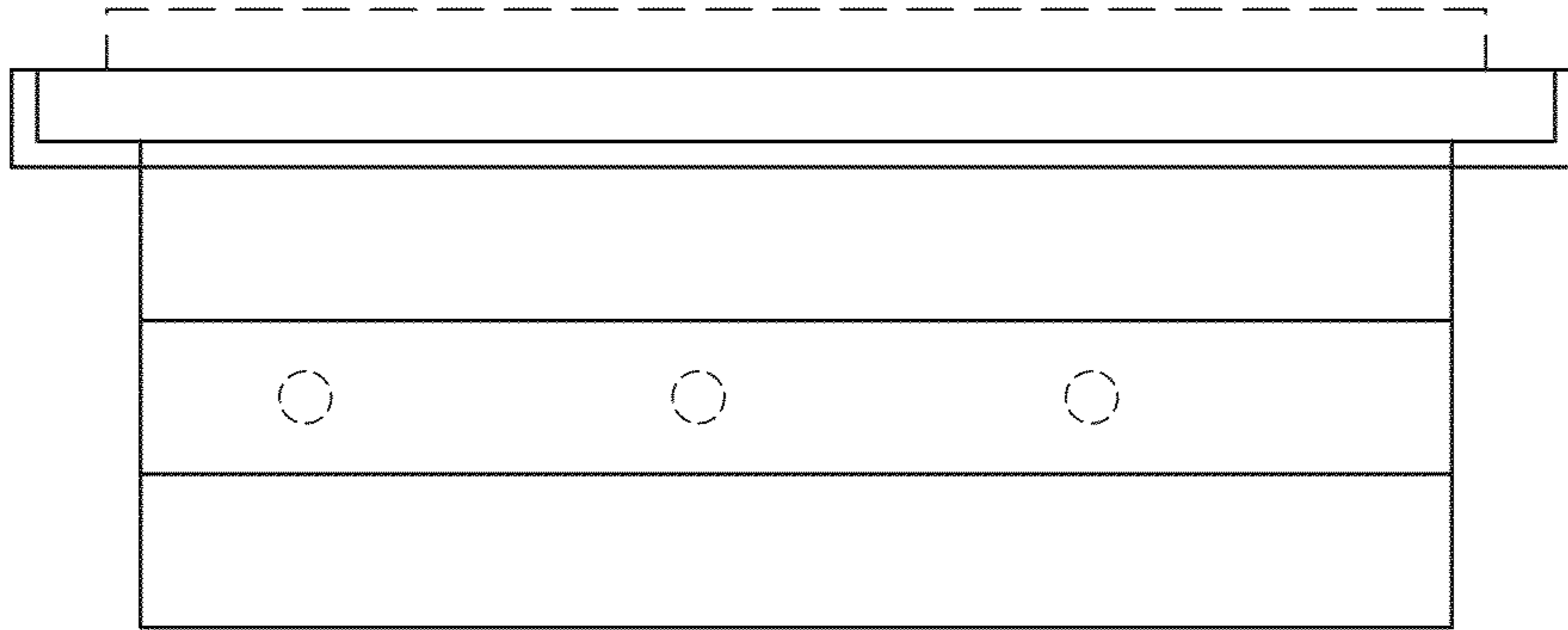
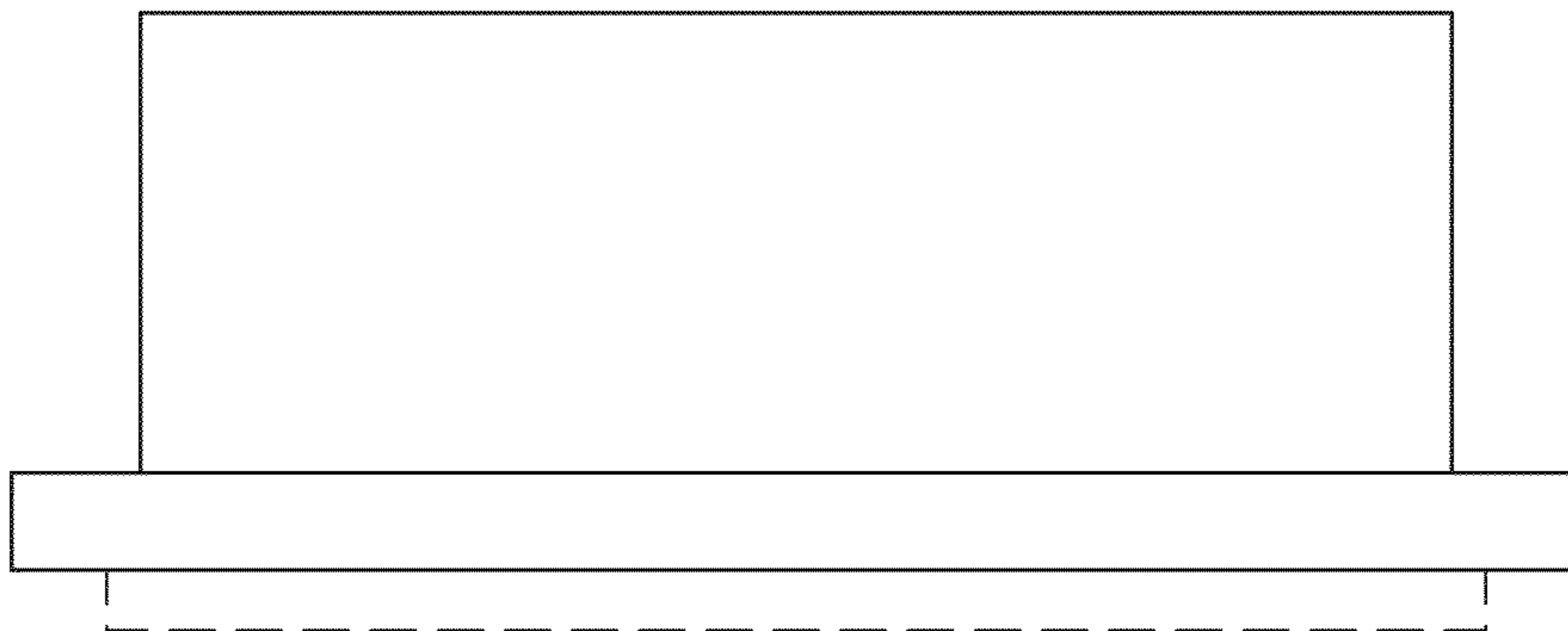


FIG. 12



**FIG. 13**



**FIG. 14**