



US00D734964S

(12) **United States Design Patent**
Ward

(10) **Patent No.:** **US D734,964 S**
(45) **Date of Patent:** **** Jul. 28, 2015**

(54) **CARDBOARD DESK**
(71) Applicant: **Mary Dorrington Ward**, Dorking (GB)
(72) Inventor: **Mary Dorrington Ward**, Dorking (GB)
(73) Assignee: **Flute Office Limited**, London (GB)
(**) Term: **14 Years**

5,370,064 A * 12/1994 Sgabellone 108/162
D432,333 S * 10/2000 Perin D6/485
D693,610 S * 11/2013 Denby et al. D6/690

FOREIGN PATENT DOCUMENTS

EM 4027589 1/2013
EM 4029022 4/2013
EM 4029023 4/2013

* cited by examiner

Primary Examiner — Janice Seeger

(74) *Attorney, Agent, or Firm* — Mintz Levin Cohn Ferris
Glovsky and Popeo, P.C.

(21) Appl. No.: **29/473,419**
(22) Filed: **Nov. 21, 2013**
(51) **LOC (10) Cl.** **06-03**
(52) **U.S. Cl.**
USPC **D6/656.1; D6/656.16; D6/690**
(58) **Field of Classification Search**
USPC **D6/641, 656, 656.1, 653.17, 654.17,**
D6/655.17, 690
CPC **A47B 43/02; A47B 2220/0083; A47B**
2220/0086
See application file for complete search history.

(57) **CLAIM**

The ornamental design for a cardboard desk, as shown and described.

DESCRIPTION

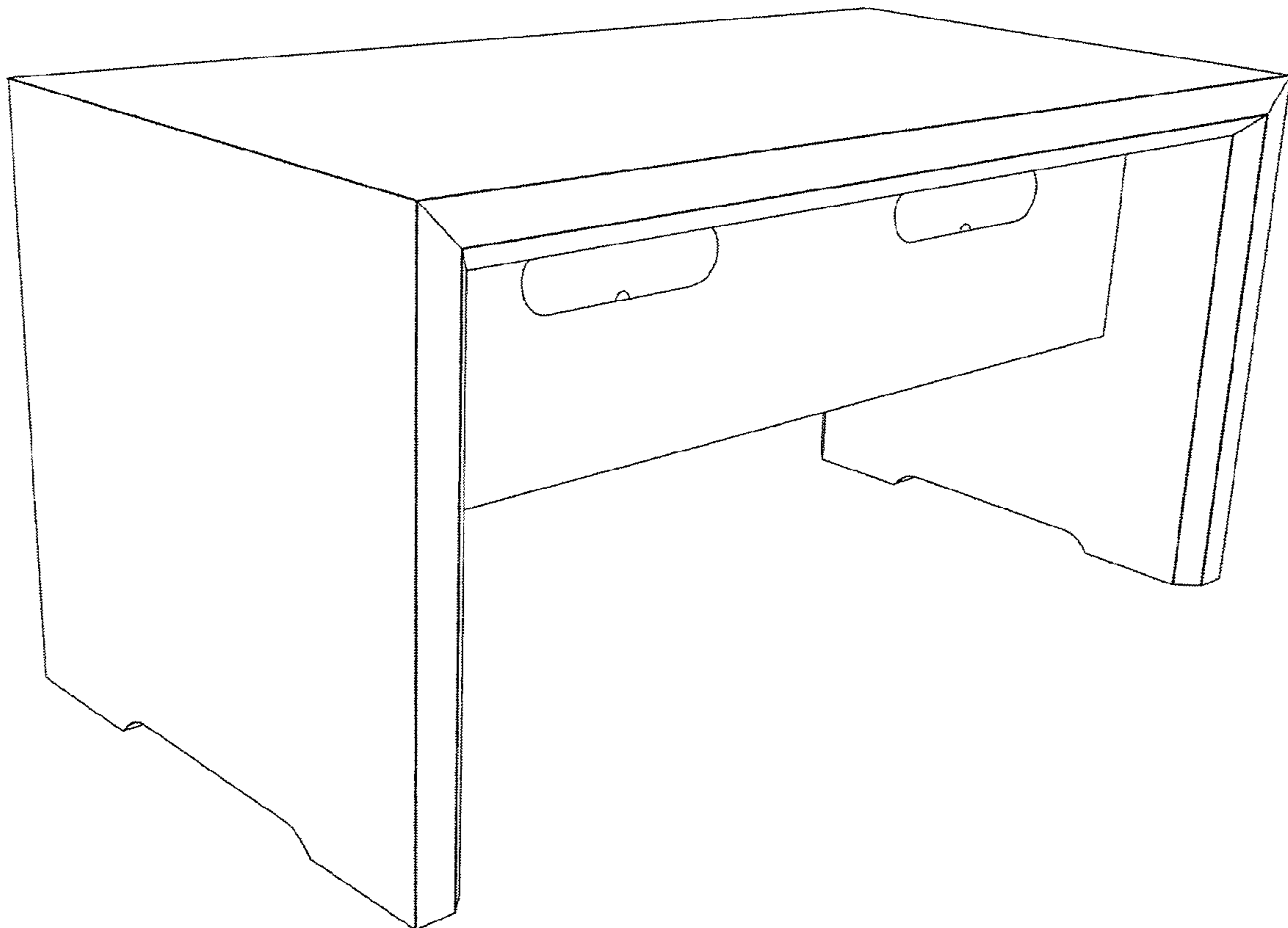
FIG. 1 is a back perspective view of a cardboard desk;
FIG. 2 is a front perspective view thereof;
FIG. 3 is a front view thereof;
FIG. 4 is a back view thereof;
FIG. 5 is a side view thereof;
FIG. 6 is a top view thereof; and,
FIG. 7 is a bottom view thereof.

(56) **References Cited**

U.S. PATENT DOCUMENTS

D227,329 S * 6/1973 Grossman D6/485
D233,971 S * 12/1974 Hodges D6/420

1 Claim, 7 Drawing Sheets



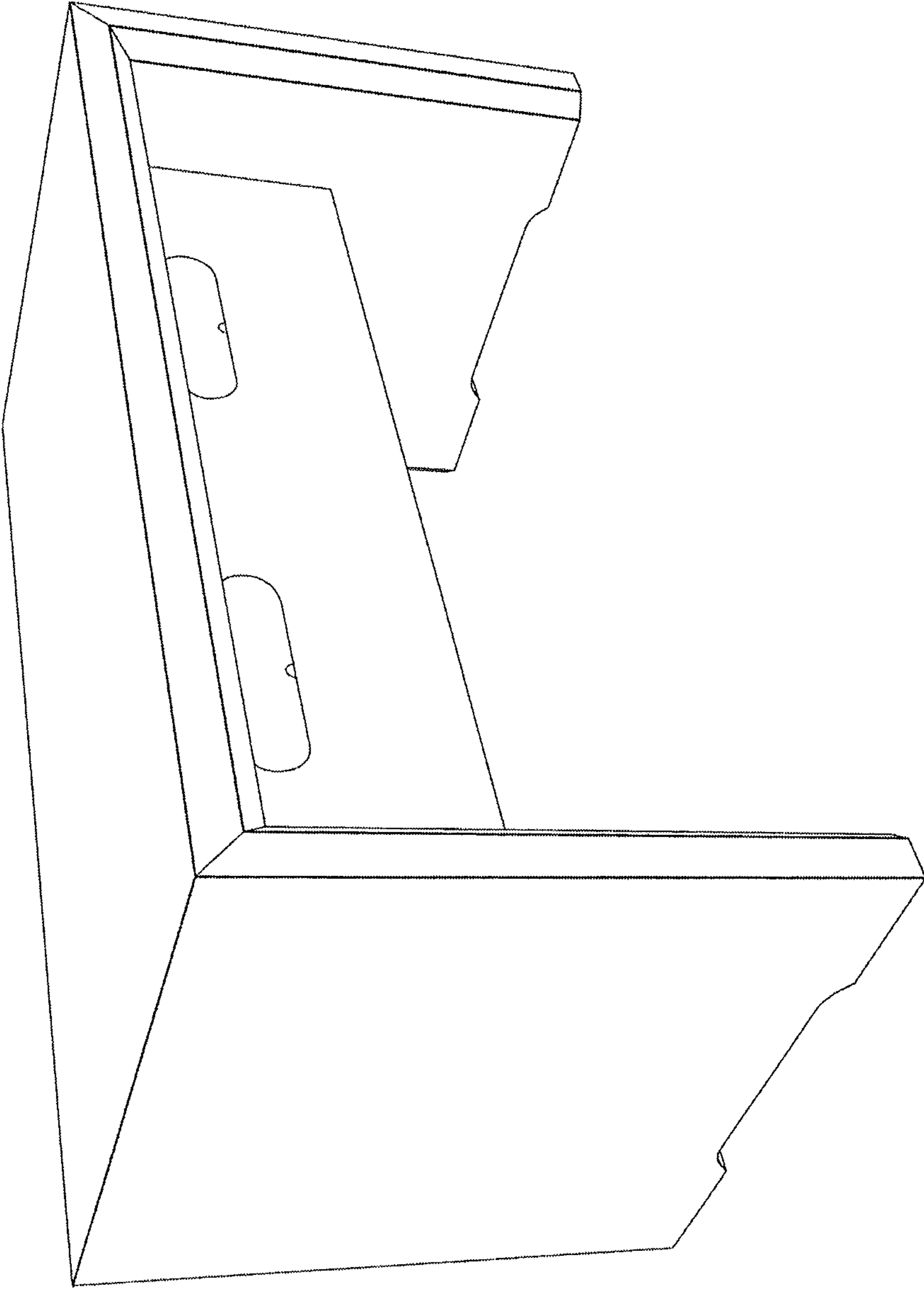


FIG. 1

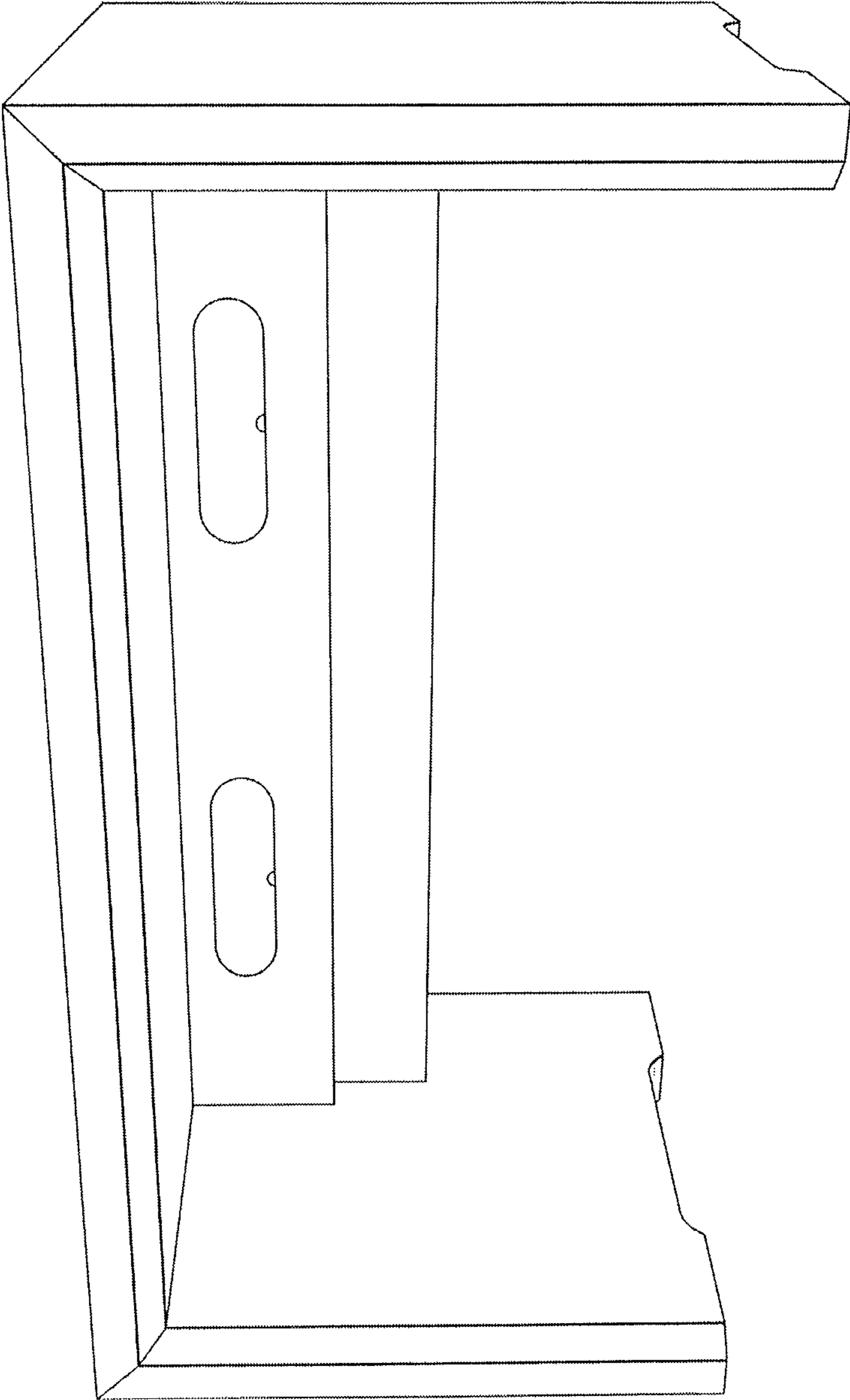


FIG. 2

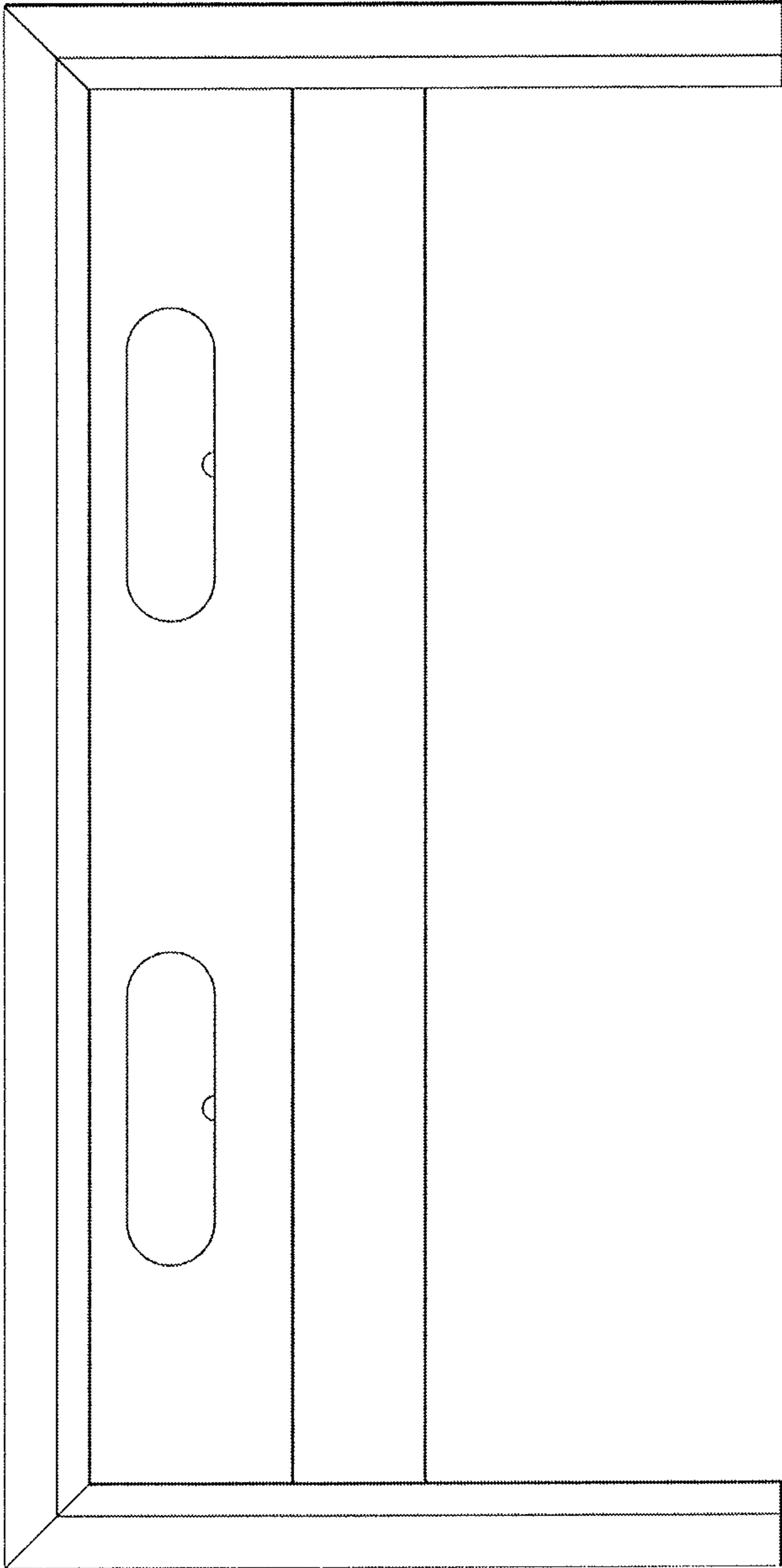


FIG. 3

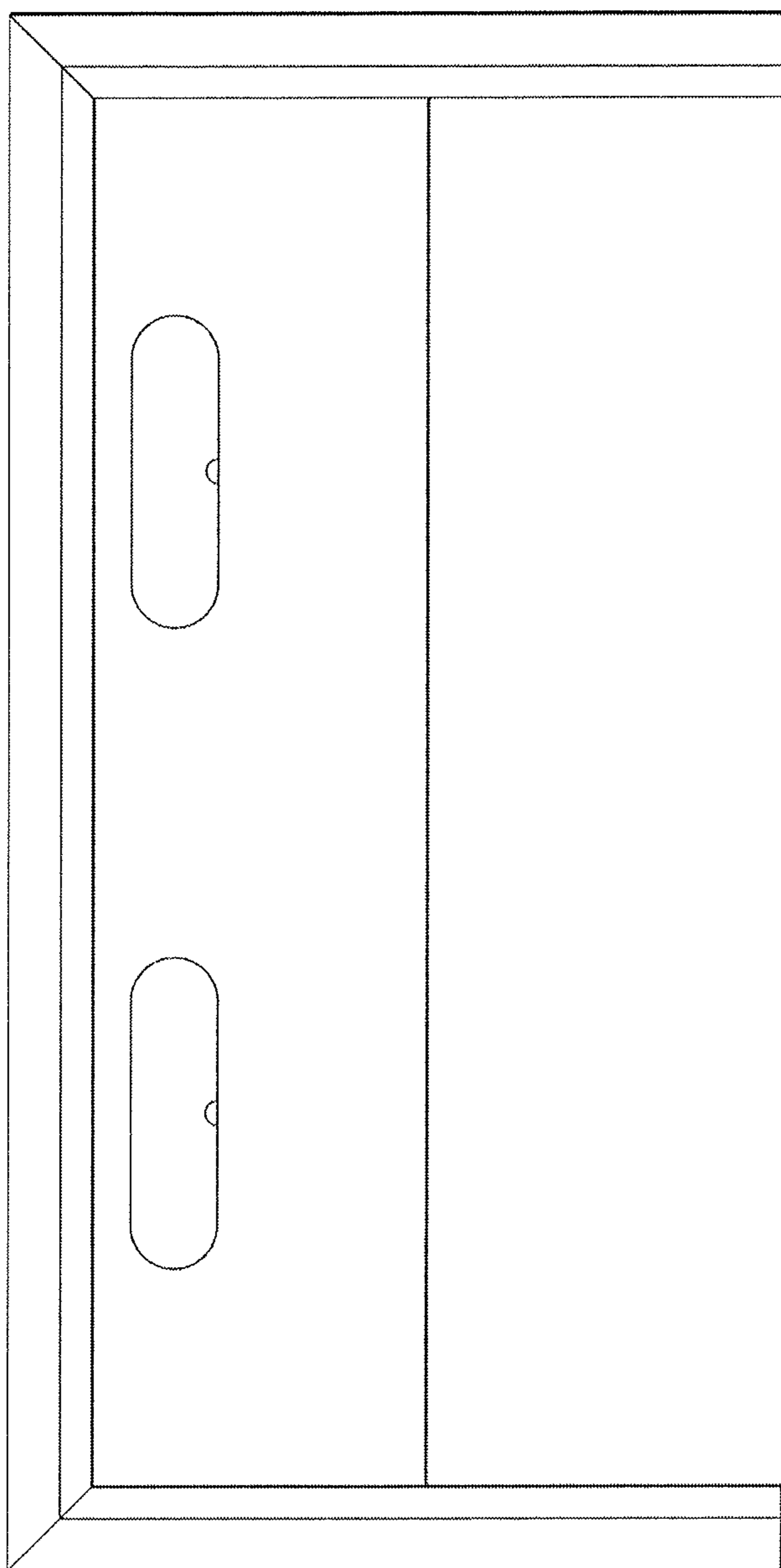


FIG. 4

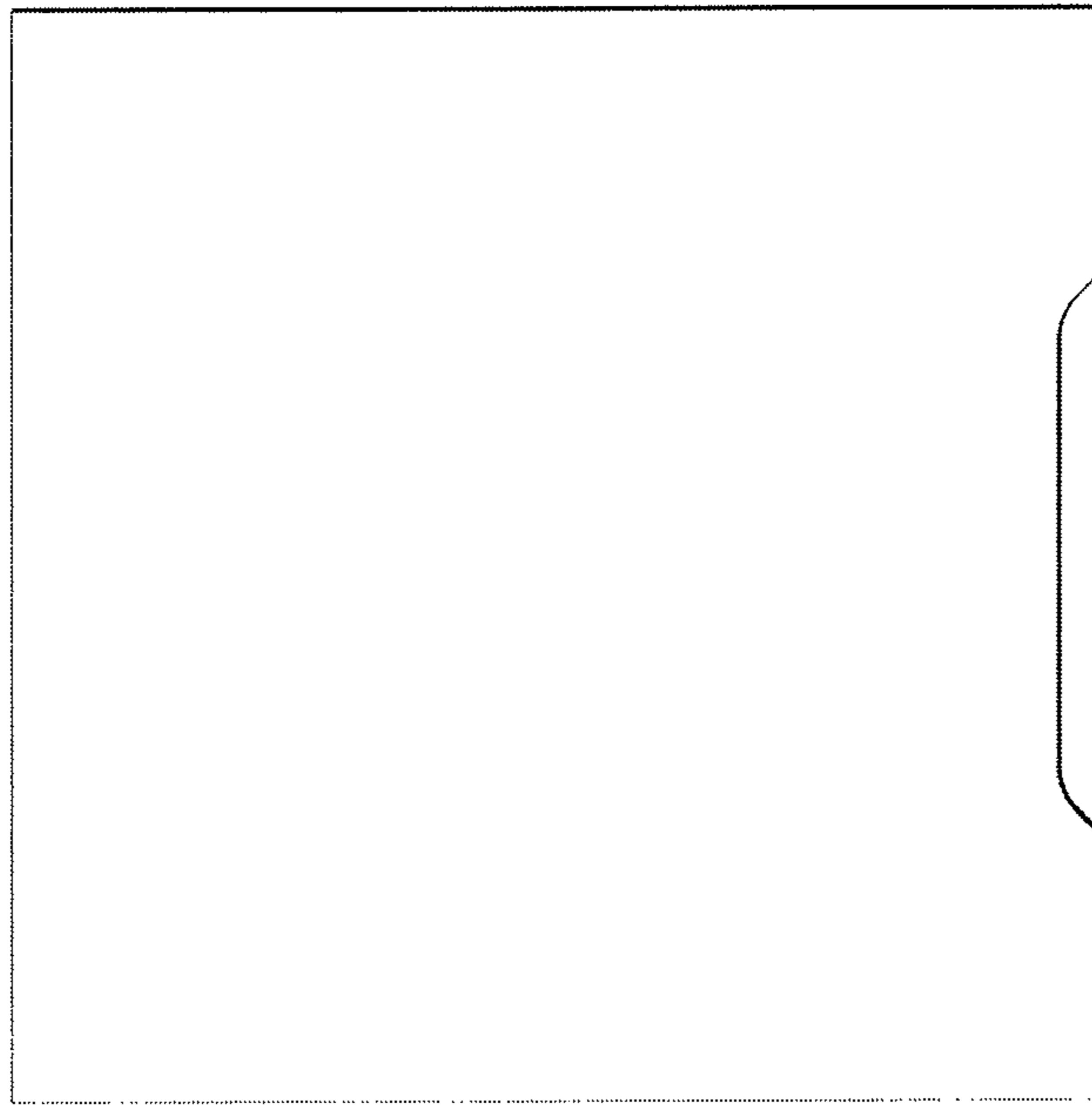


FIG. 5

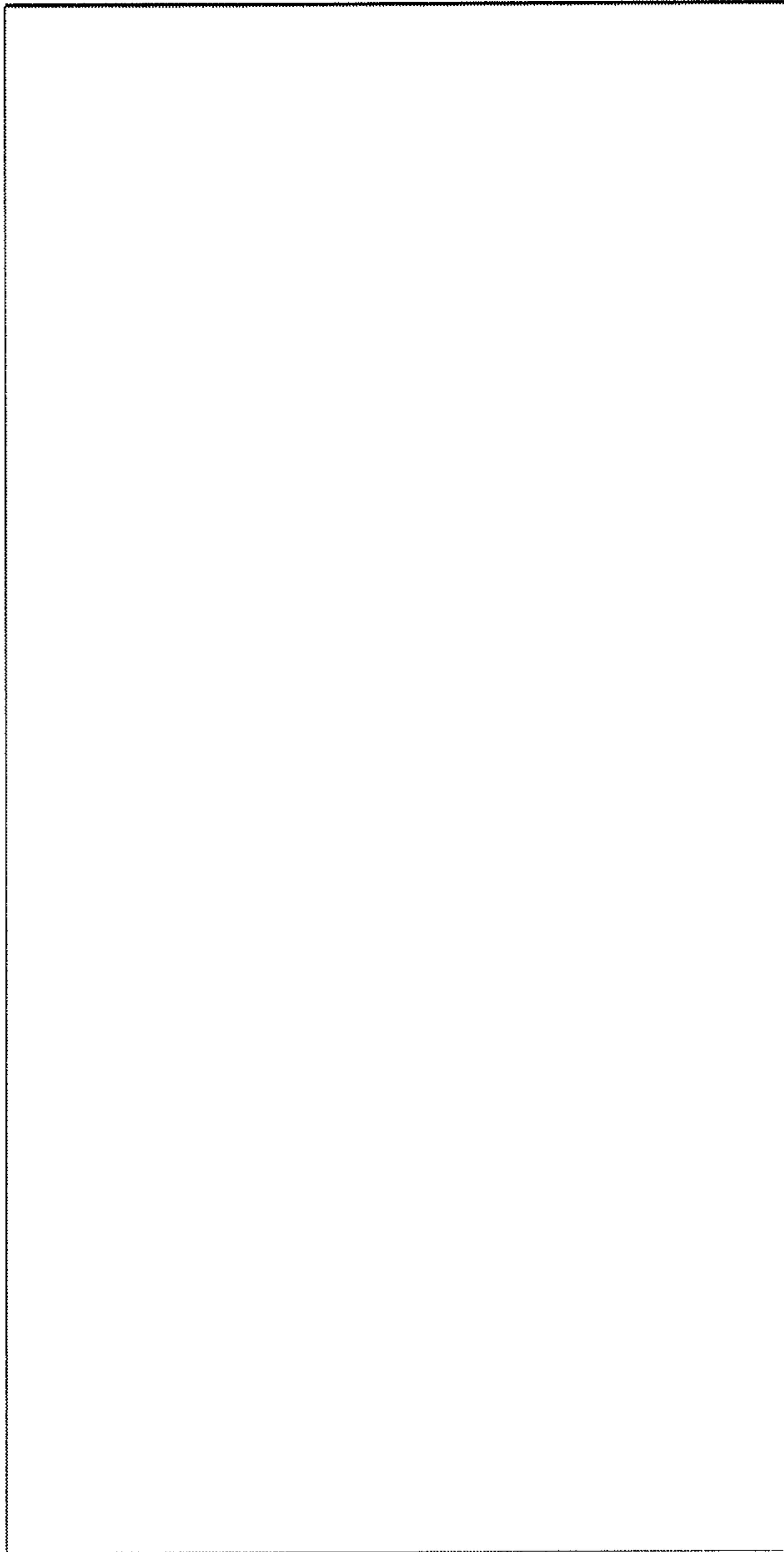


FIG. 6

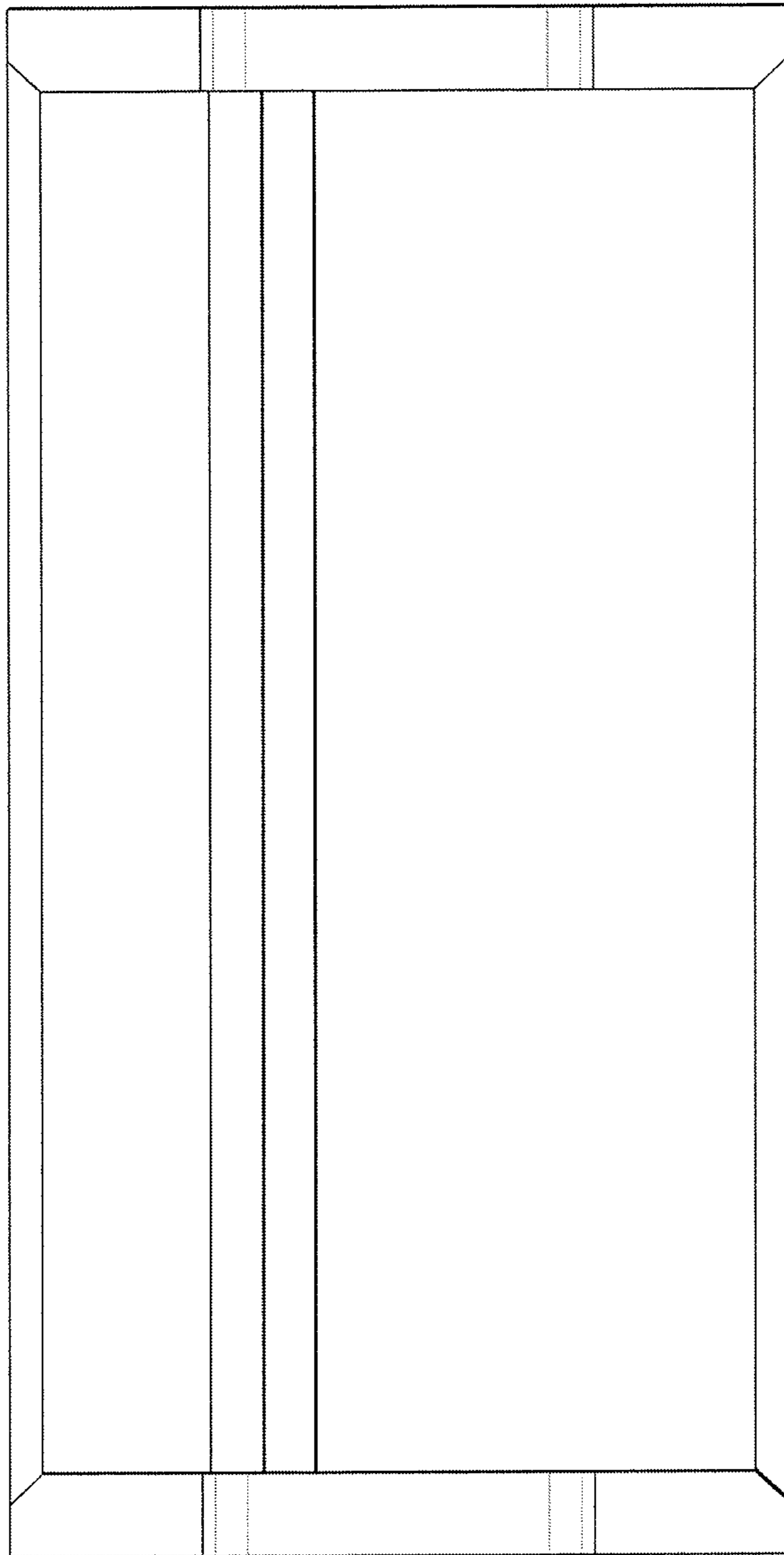


FIG. 7