

US00D734963S

(12) **United States Design Patent**
Deng

(10) **Patent No.:** **US D734,963 S**

(45) **Date of Patent:** **** Jul. 28, 2015**

(54) **MULTIFUNCTIONAL SEAT COVER**

(71) Applicant: **Lewen Deng**, Guangzhou, GuangDong Province (CN)

(72) Inventor: **Derong Deng**, Hong Kong (CN)

(73) Assignee: **Lewen Deng** (CN)

(**) Term: **14 Years**

(21) Appl. No.: **29/495,575**

(22) Filed: **Jul. 2, 2014**

(30) **Foreign Application Priority Data**

May 27, 2014 (CN) 2014 3 0153411

(51) **LOC (10) Cl.** **06-13**

(52) **U.S. Cl.**
USPC **D6/611**

(58) **Field of Classification Search**

USPC D6/610, 611, 596, 601, 602, 603, 615,
D6/617, 621; D7/332, 334-337;
D12/401-405; 135/87, 88.01, 95;
150/165-167, 158, 154; 280/770;
296/136.01, 136.1, 136.11

CPC B62J 19/00; B62J 1/22; B62J 1/24;
B62J 1/20; B62J 1/26; B62J 1/28

See application file for complete search history.

(56) **References Cited**

U.S. PATENT DOCUMENTS

6,435,389 B1 * 8/2002 Sucher 224/576
D482,196 S * 11/2003 Cabrera et al. D3/228

8,113,580 B1 * 2/2012 Pusateri 297/219.12
D658,852 S * 5/2012 McCoy D2/829
D676,220 S * 2/2013 Bostajian D2/719
D678,687 S * 3/2013 Pasillas D6/354
D691,835 S * 10/2013 Tyler et al. D6/611
D698,588 S * 2/2014 Prattas D6/611
8,857,905 B1 * 10/2014 Pusateri 297/219.12
2004/0238586 A1 * 12/2004 Godshaw et al. 224/625
2008/0179368 A1 * 7/2008 Williams 224/682
2009/0145789 A1 * 6/2009 Panosian et al. 206/373

* cited by examiner

Primary Examiner — Katrina A Betton

(74) *Attorney, Agent, or Firm* — Harness, Dickey & Pierce, P.L.C.

(57) **CLAIM**

The ornamental design for a multifunctional seat cover, as shown and described.

DESCRIPTION

FIG. 1 is a top view of a multifunctional seat cover embodying my new design;
FIG. 2 is a front view thereof;
FIG. 3 is a bottom view thereof;
FIG. 4 is a left side view thereof;
FIG. 5 is a rear view thereof;
FIG. 6 is a right side view thereof;
FIG. 7 is a perspective view thereof showing the rear and left side; and,
FIG. 8 is a perspective view thereof showing the front and right side.

In the drawings, the broken lines represent stitching.

1 Claim, 8 Drawing Sheets

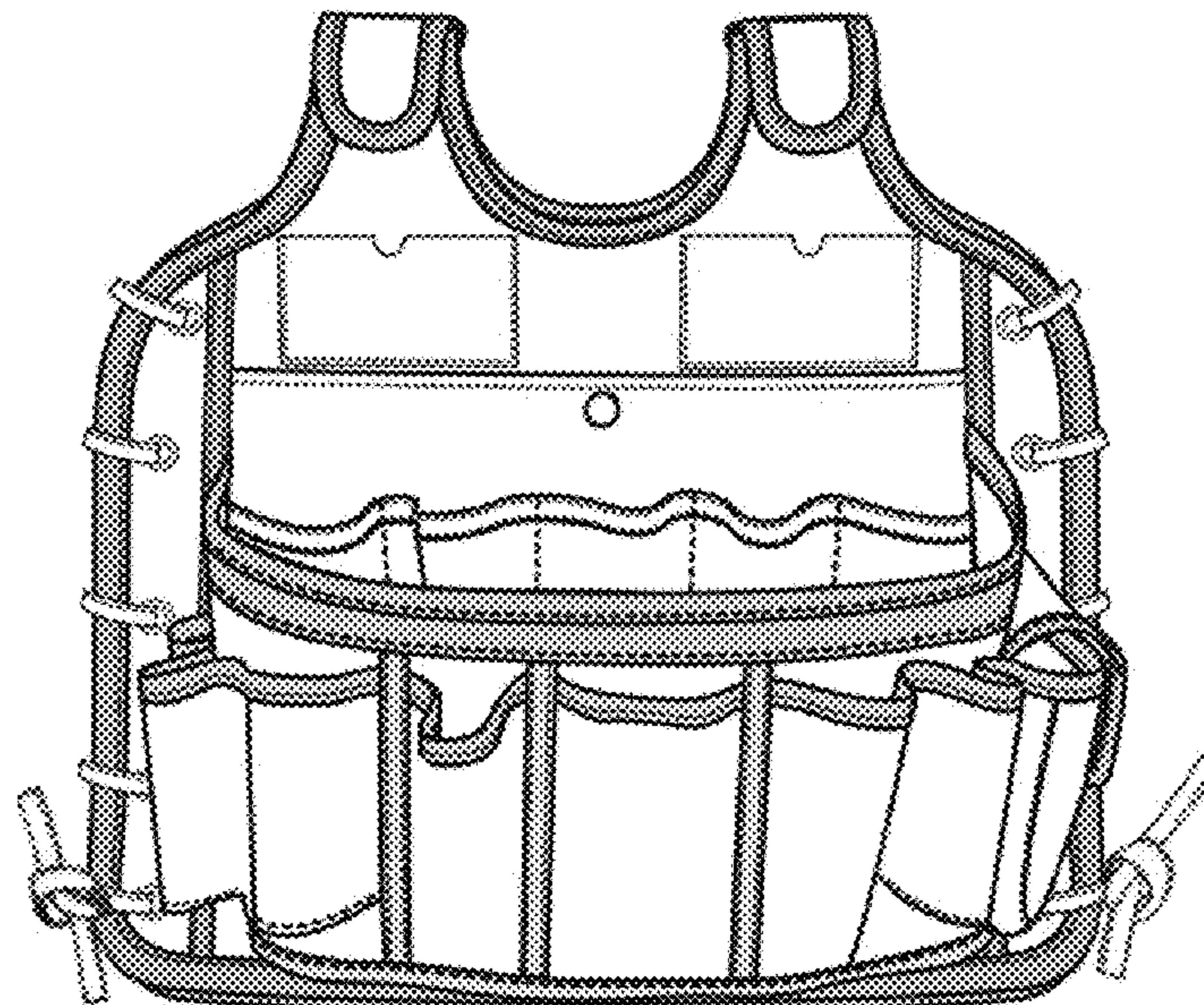
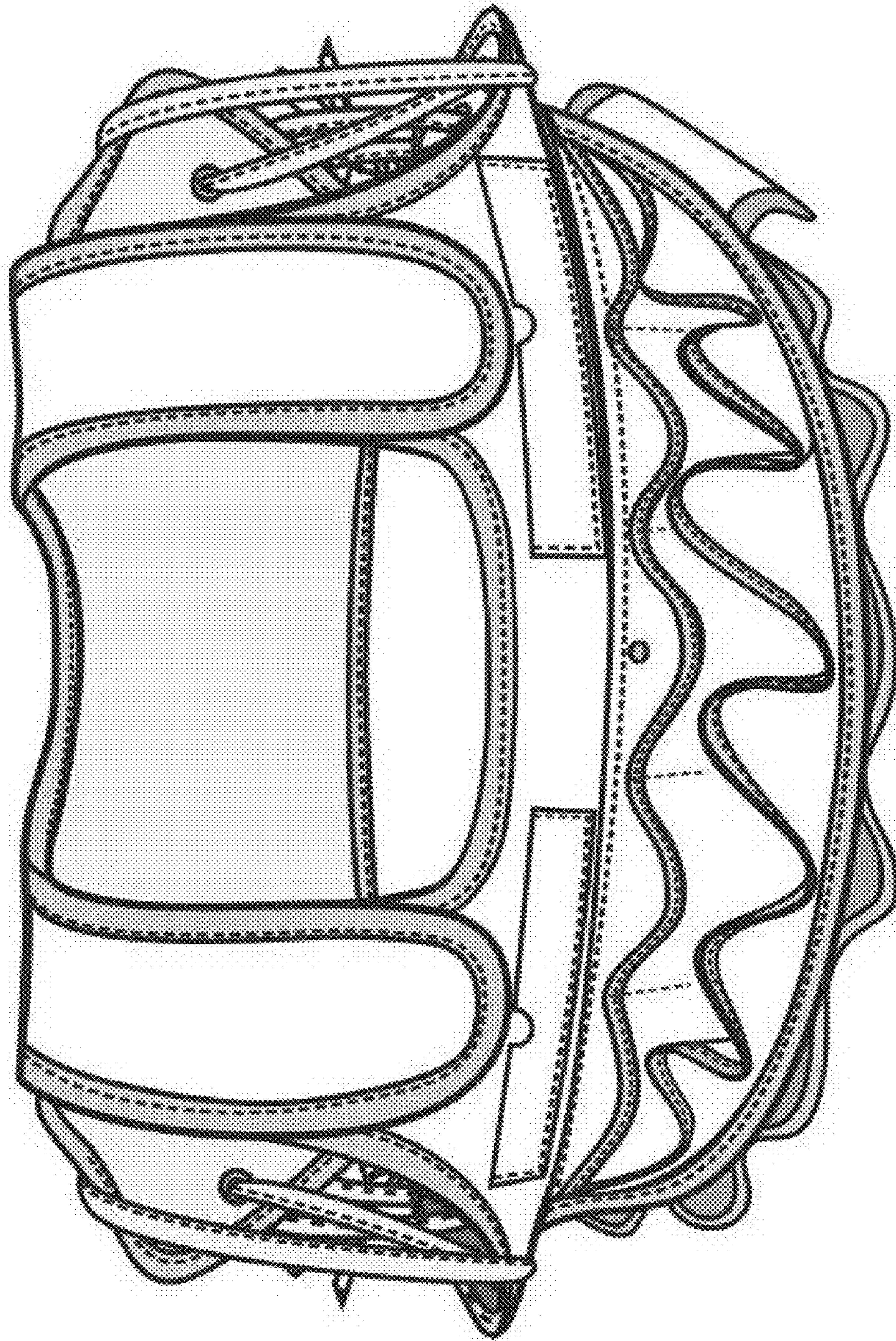


FIG. 1



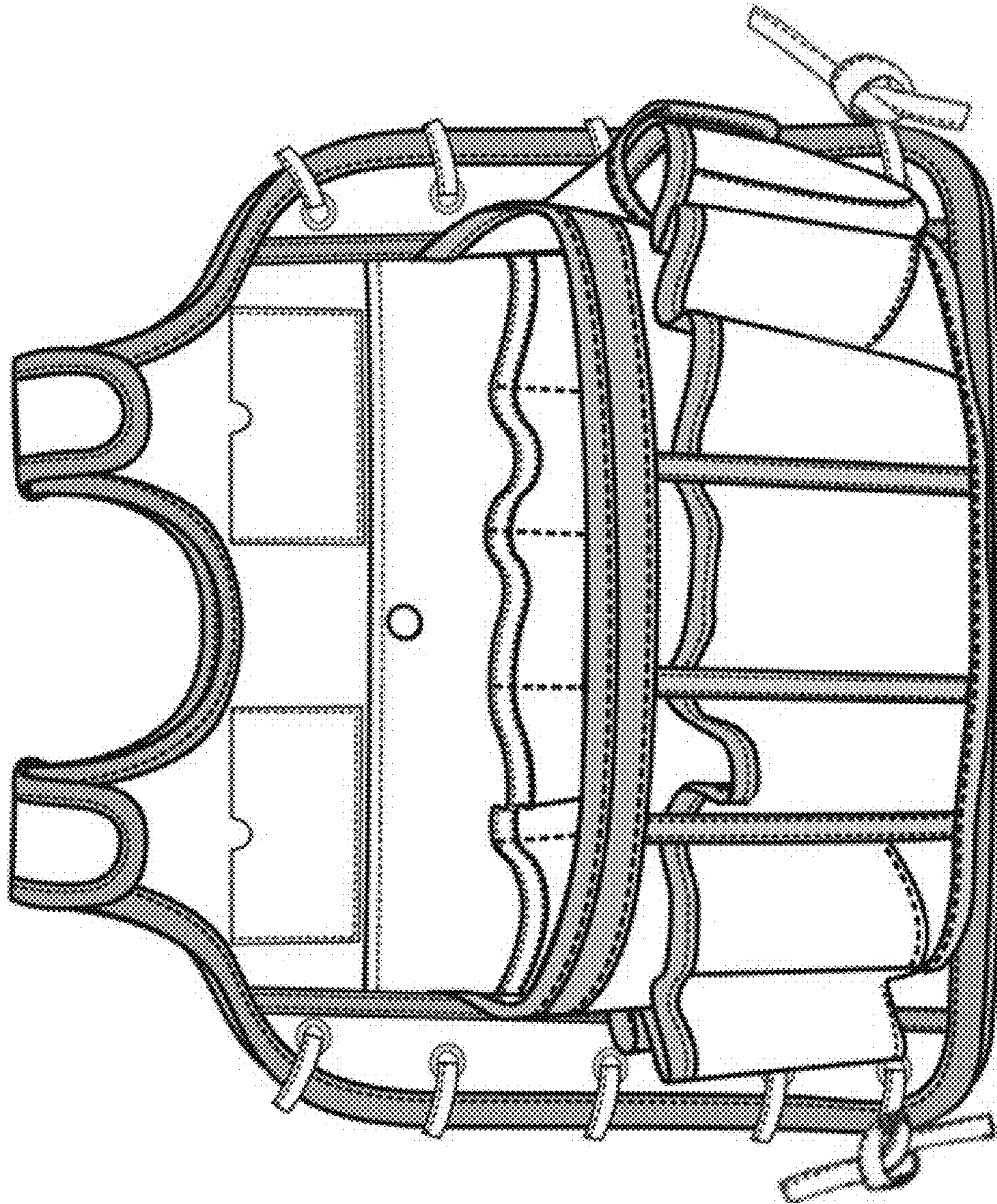


FIG. 2

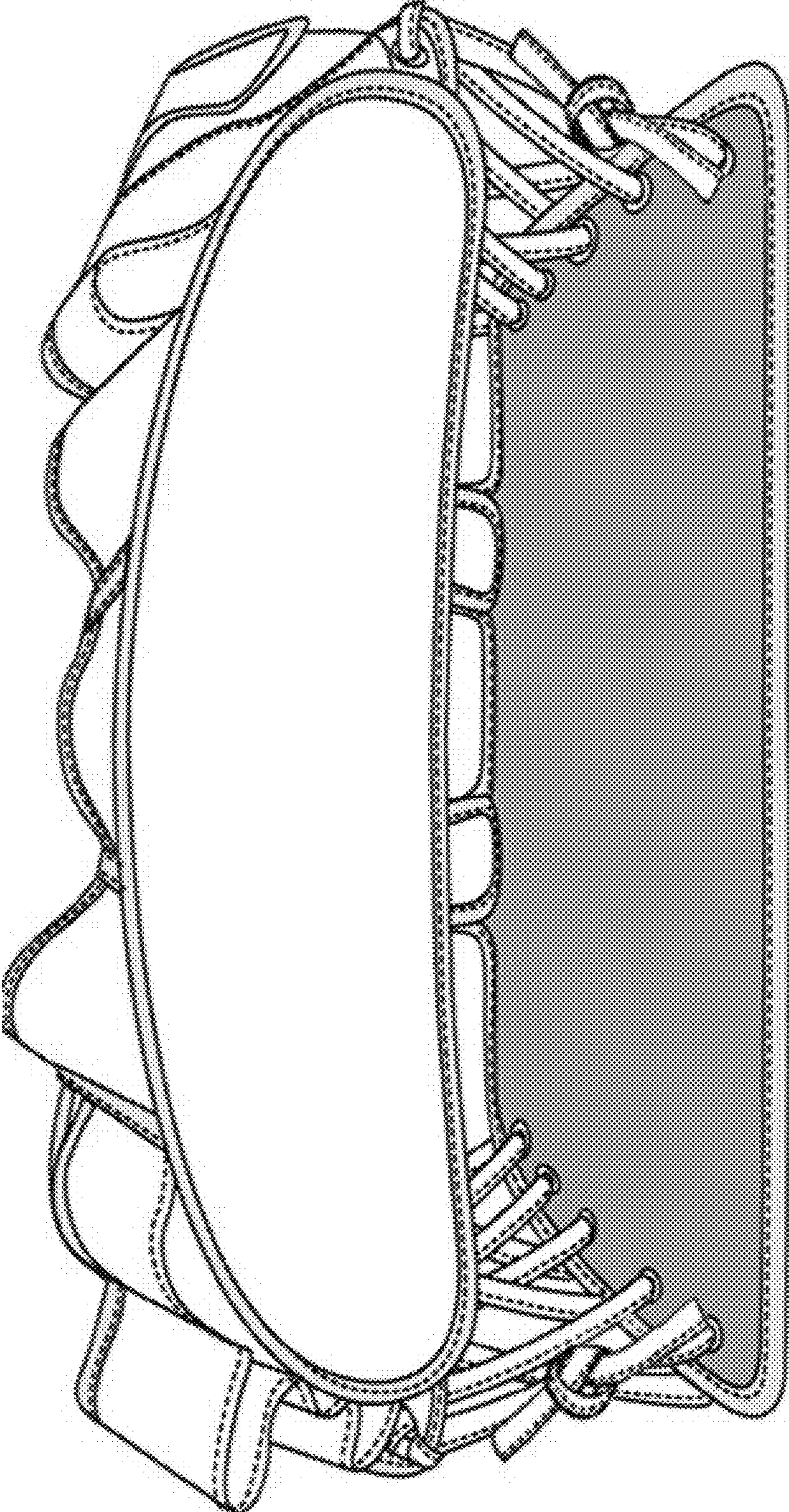
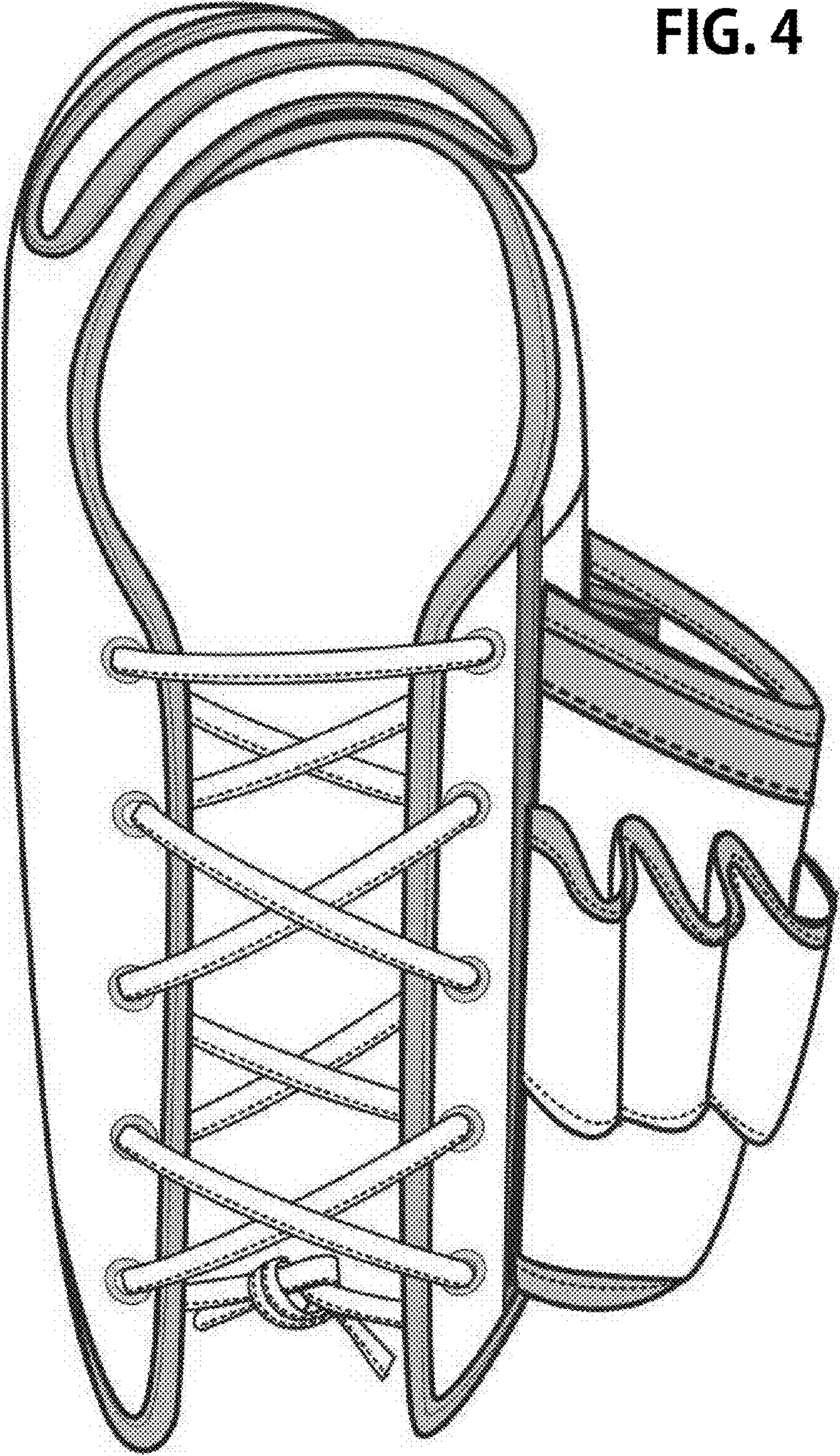


FIG. 3

FIG. 4



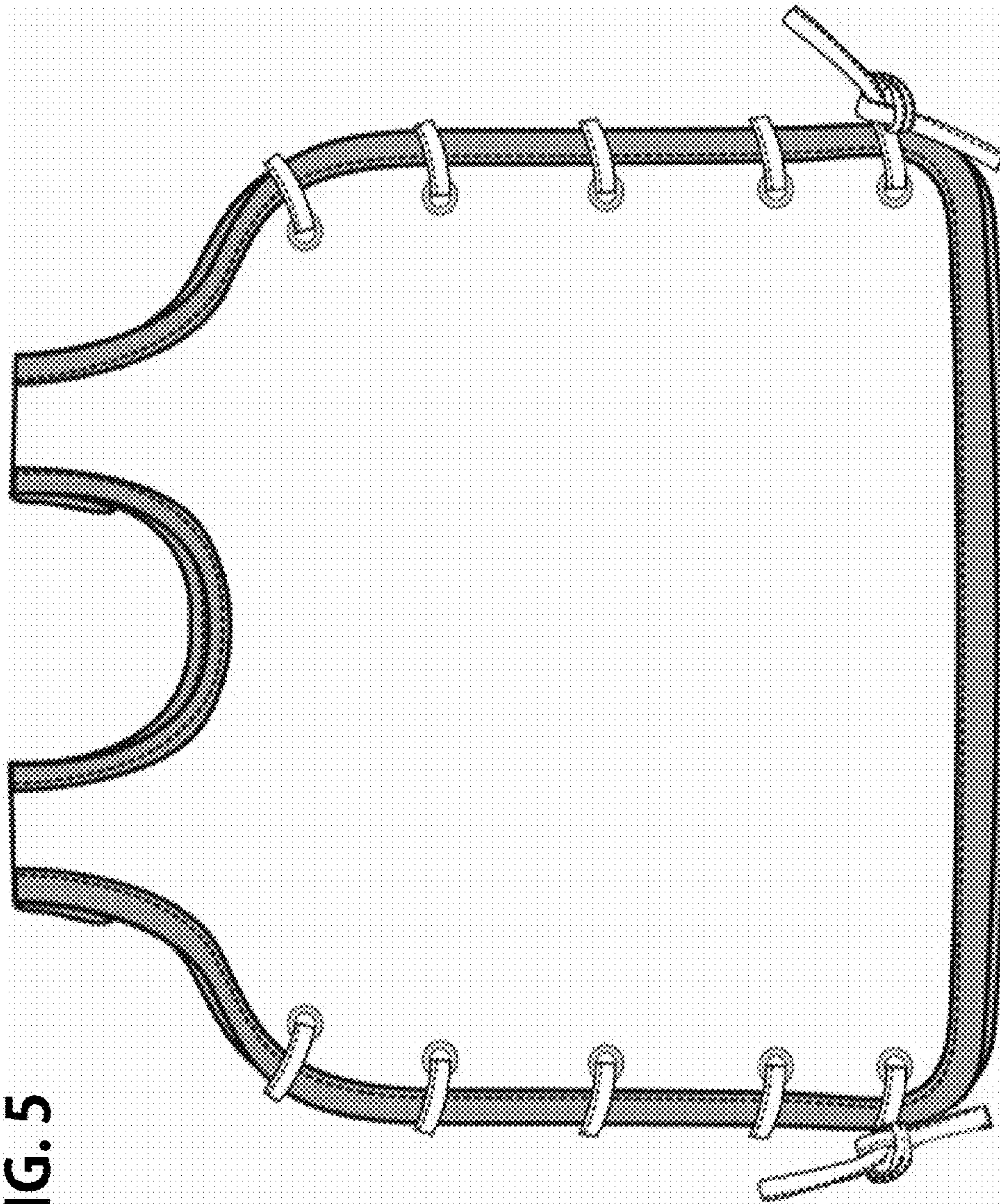


FIG. 5

FIG. 6

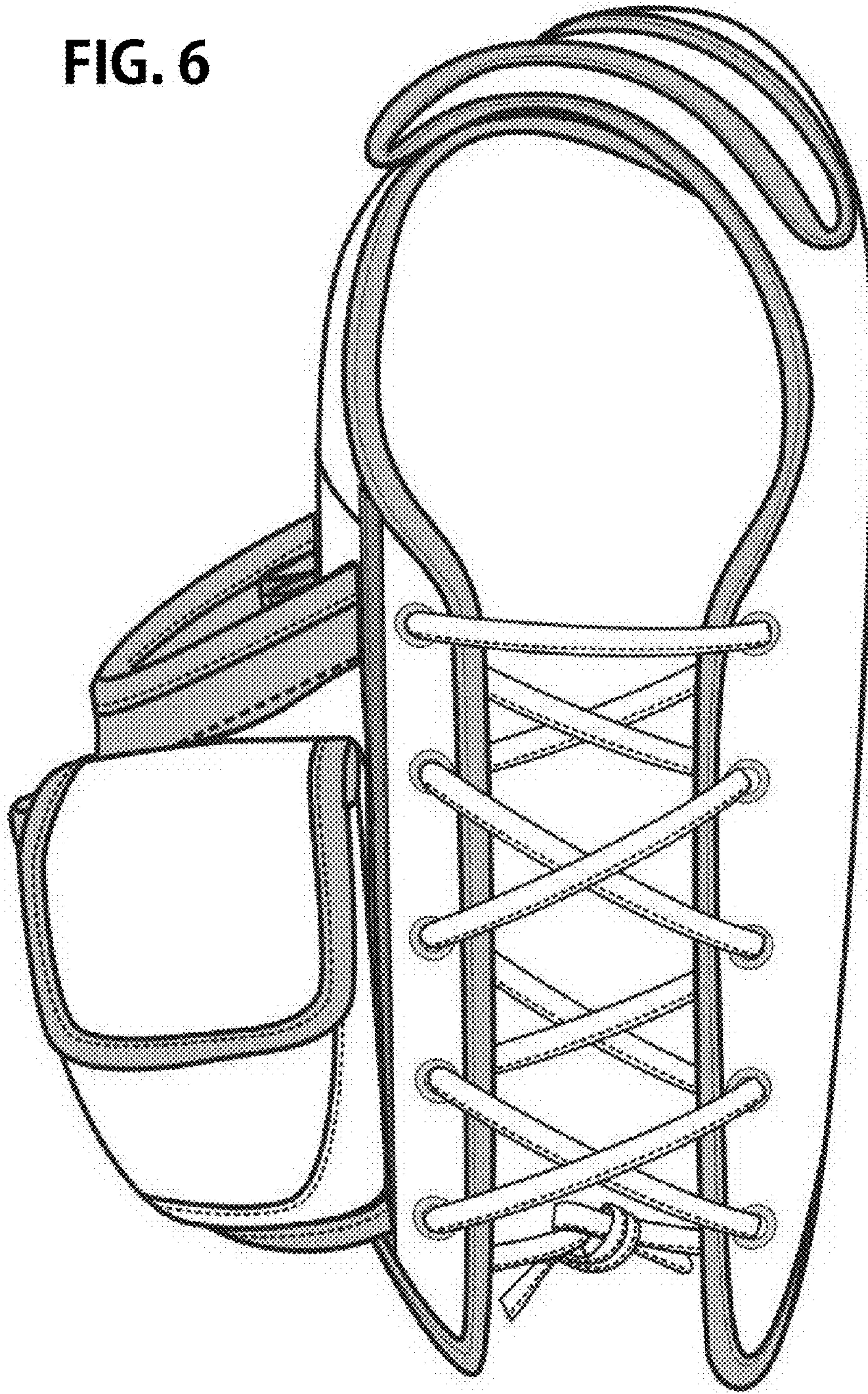


FIG. 7

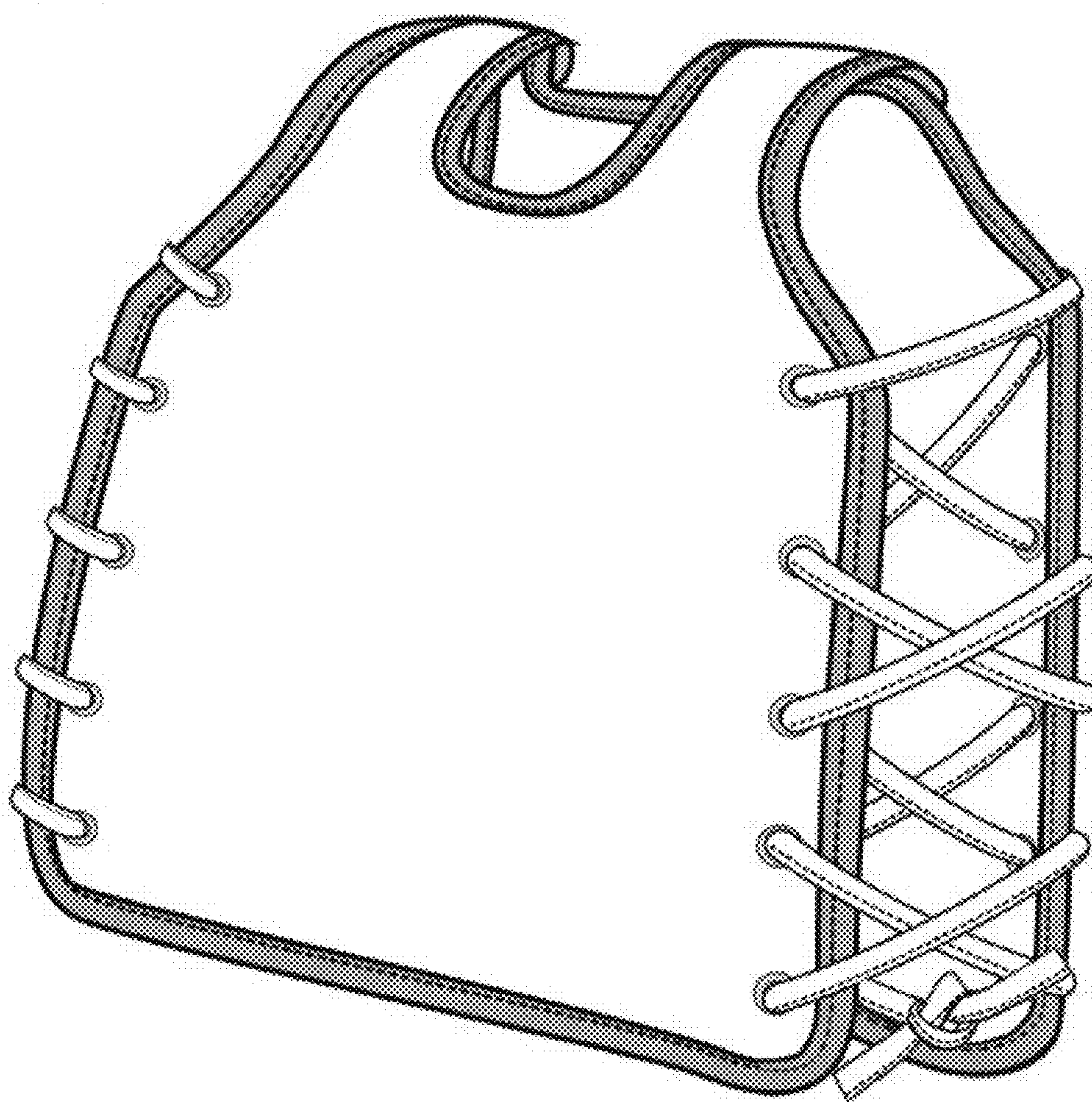


FIG. 8

