



US00D734958S

(12) **United States Design Patent**
Gosling et al.

(10) **Patent No.:** **US D734,958 S**
(45) **Date of Patent:** **** Jul. 28, 2015**

- (54) **WALL WITH INCORPORATED PLANTERS**
- (71) Applicant: **DIRTT Environmental Solutions LTD,**
Salt Lake City, UT (US)
- (72) Inventors: **Geoff William Gosling,** Calgary (CA);
Mogens F. Smed, DeWinton (CA)
- (73) Assignee: **DIRTT Environmental Solutions, Ltd.,**
Calgary (CA)
- (**) Term: **14 Years**
- (21) Appl. No.: **29/476,441**
- (22) Filed: **Dec. 13, 2013**

D371,089 S *	6/1996	Yeung	D11/152
D424,356 S *	5/2000	Hahn	D6/571
D681,381 S *	5/2013	Ratzmann	D6/556
D691,390 S *	10/2013	Cunningham et al.	D6/556
D715,072 S *	10/2014	Simonetti	D6/571
D720,555 S *	1/2015	Nelson et al.	D6/558

* cited by examiner

Primary Examiner — Brian N Vinson
(74) *Attorney, Agent, or Firm* — Workman Nydegger

(57) **CLAIM**

The ornamental design for a wall with incorporated planters, as shown and described.

DESCRIPTION

FIG. 1 is a top, front, and right side perspective view of a wall with incorporated planters showing our design;
 FIG. 2 is an enlarged fragmentary, top, front, and right side perspective view thereof;
 FIG. 3 is a front elevational view thereof;
 FIG. 4 is a rear elevational view thereof;
 FIG. 5 is a top plan view thereof;
 FIG. 6 is a bottom plan view thereof;
 FIG. 7 is a left side elevational view thereof;
 FIG. 8 is right side elevational view thereof;
 FIG. 9 is an additional top, front, and right side perspective view thereof;
 FIG. 10 is an additional front elevational view thereof;
 FIG. 11 is an additional rear elevational view thereof;
 FIG. 12 is an additional top plan view thereof;
 FIG. 13 is an additional bottom plan view thereof;
 FIG. 14 is an additional left side elevational view thereof; and,
 FIG. 15 is an additional right side elevational view thereof.
 The broken-line disclosure of plant material in the views represents environment which forms no part of the claimed design, and the other broken-line disclosure represents portions of the wall and planters which form no part of the claimed design.

Related U.S. Application Data

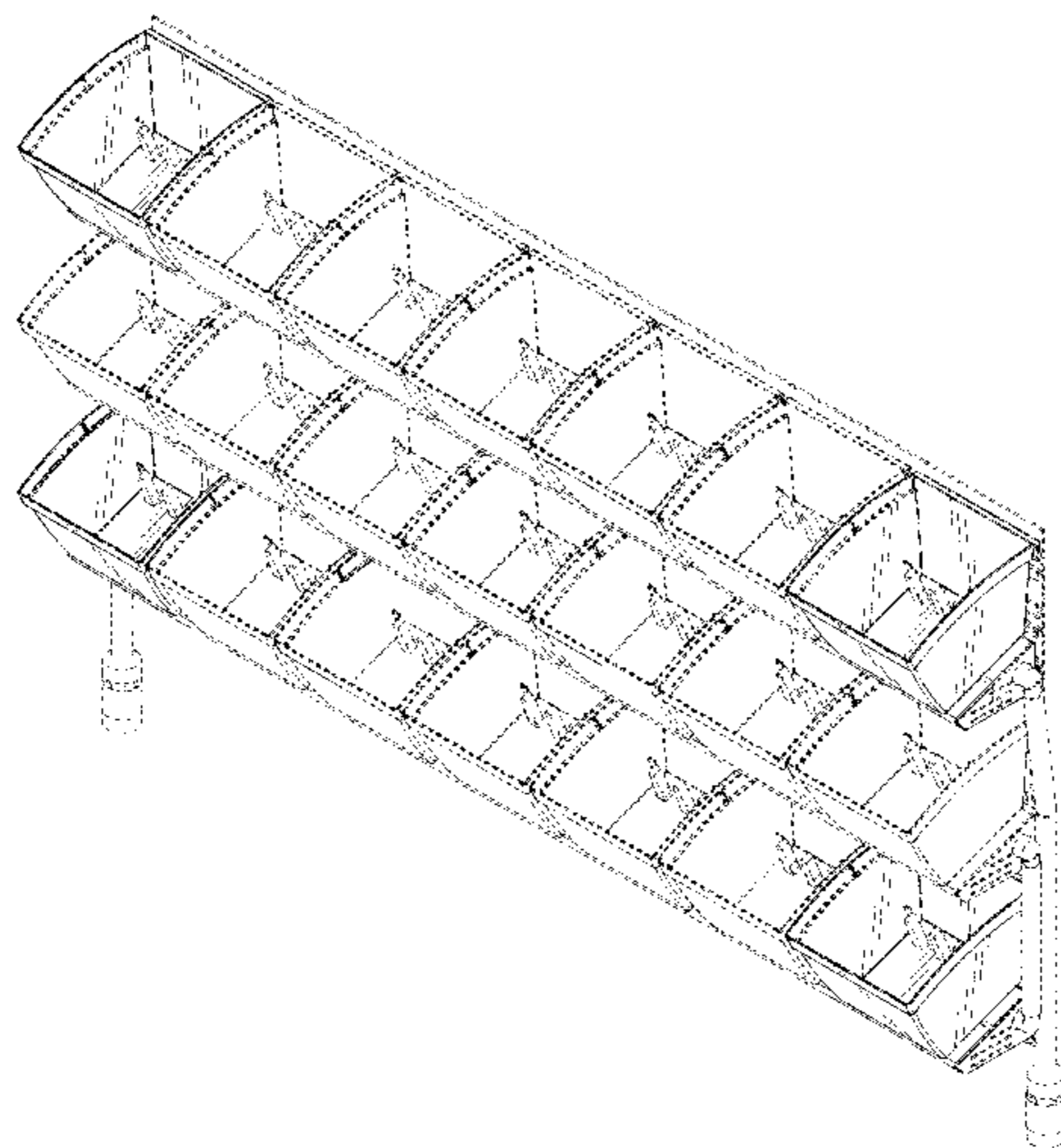
- (63) Continuation of application No. 13/515,944, filed as application No. PCT/US2012/030421 on Mar. 23, 2012.
- (51) **LOC (10) Cl.** **06-04**
- (52) **U.S. Cl.**
USPC **D6/556**
- (58) **Field of Classification Search**
USPC D6/403–405, 556–558, 570, 571; D8/1;
D11/143–156, 164; D19/77, 80, 81,
D19/84; D25/100; D26/9–11, 16, 19;
D34/1, 2, 4–6; D99/5, 19; 47/17, 32.4,
47/32.5, 33, 39, 41.01, 41.1, 41.11–41.15,
47/44–47, 65, 65.5, 65.9, 66.1, 66.6, 66.7,
47/67–71; 224/566
CPC B62B 2202/023; B62B 3/1472
See application file for complete search history.

(56) **References Cited**

U.S. PATENT DOCUMENTS

2,633,278 A *	3/1953	Muniz	224/566
2,982,423 A *	5/1961	Handler et al.	D6/571
D297,601 S *	9/1988	Grossman et al.	D6/556

1 Claim, 11 Drawing Sheets



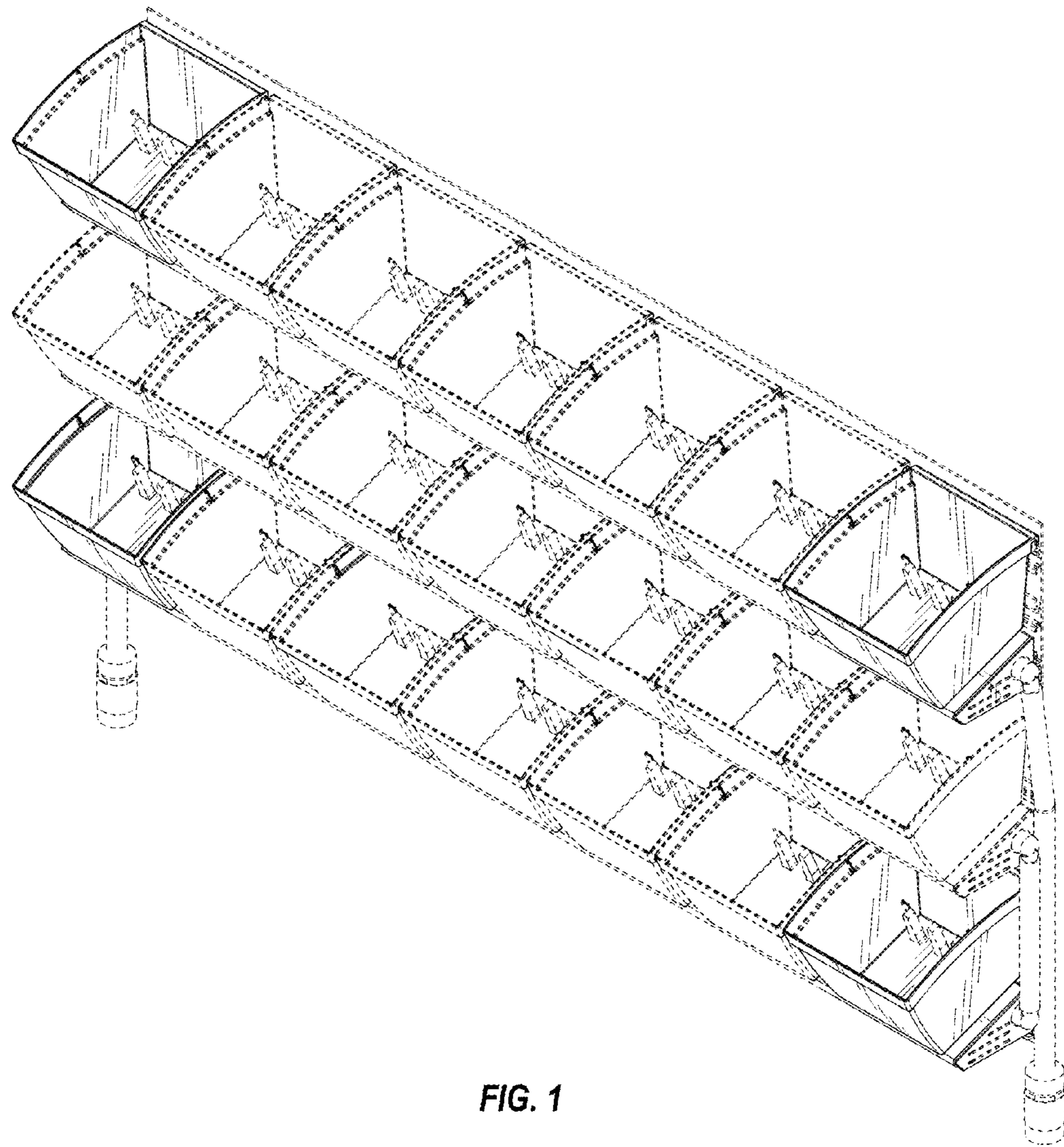


FIG. 1

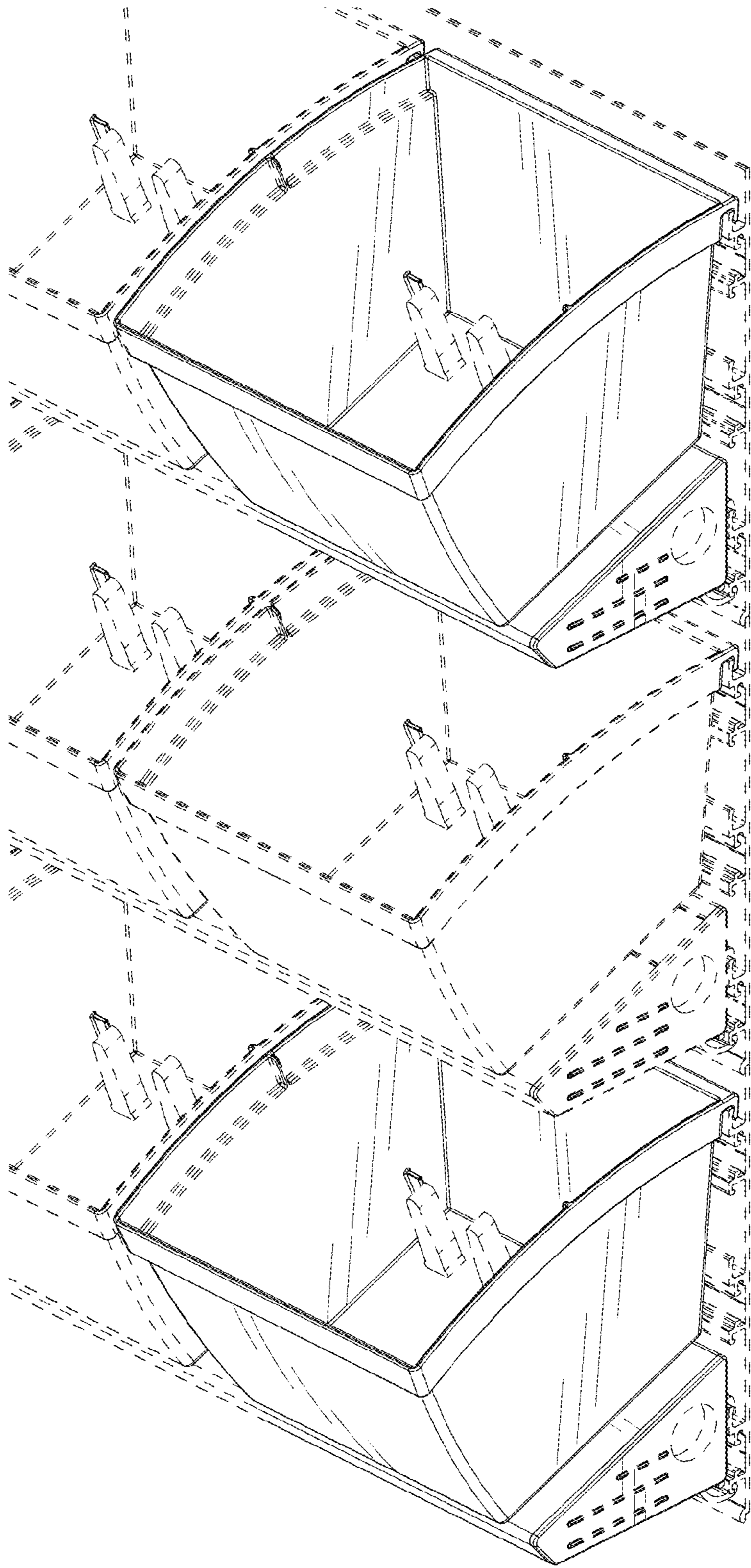


FIG. 2

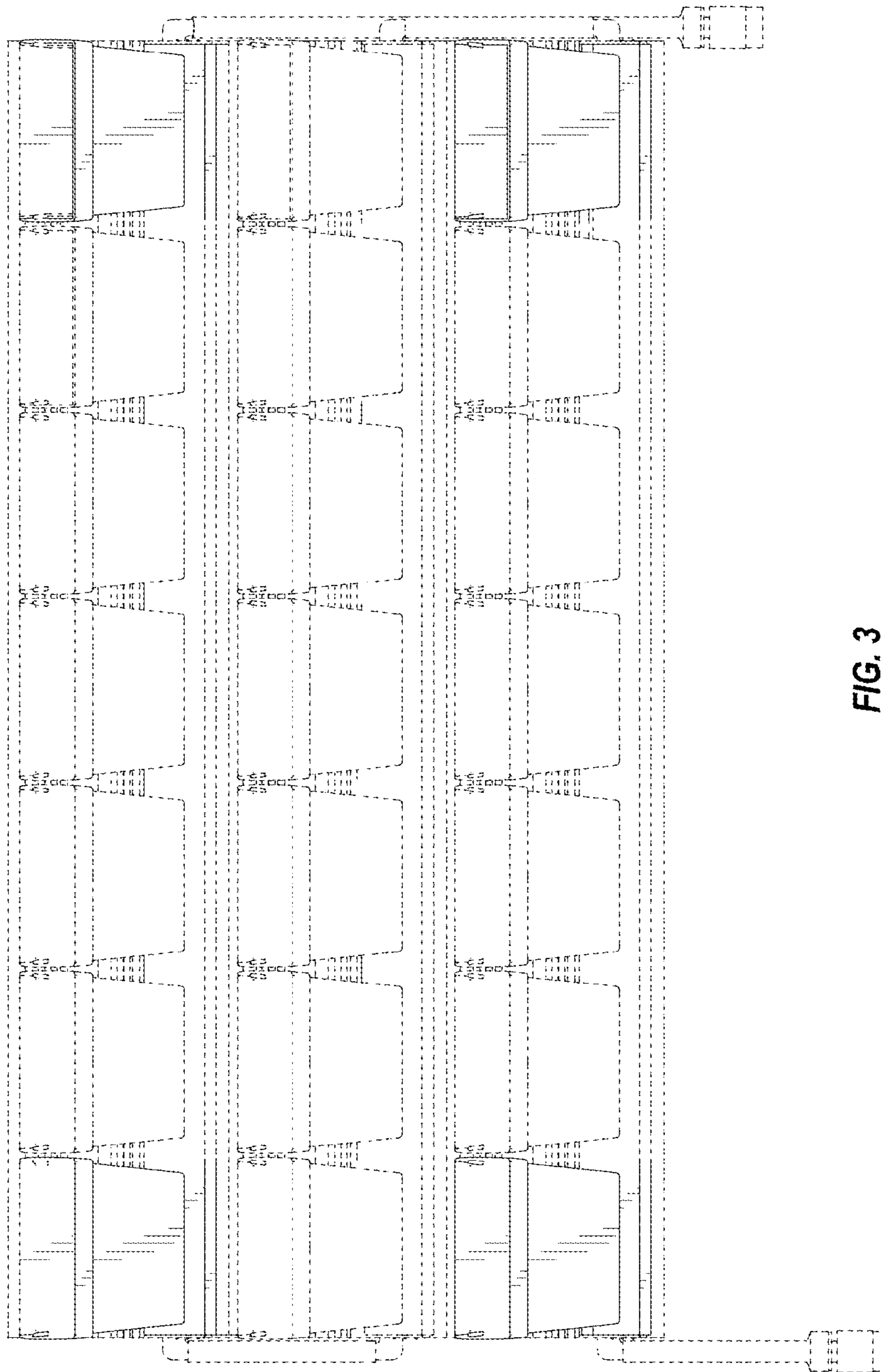


FIG. 3

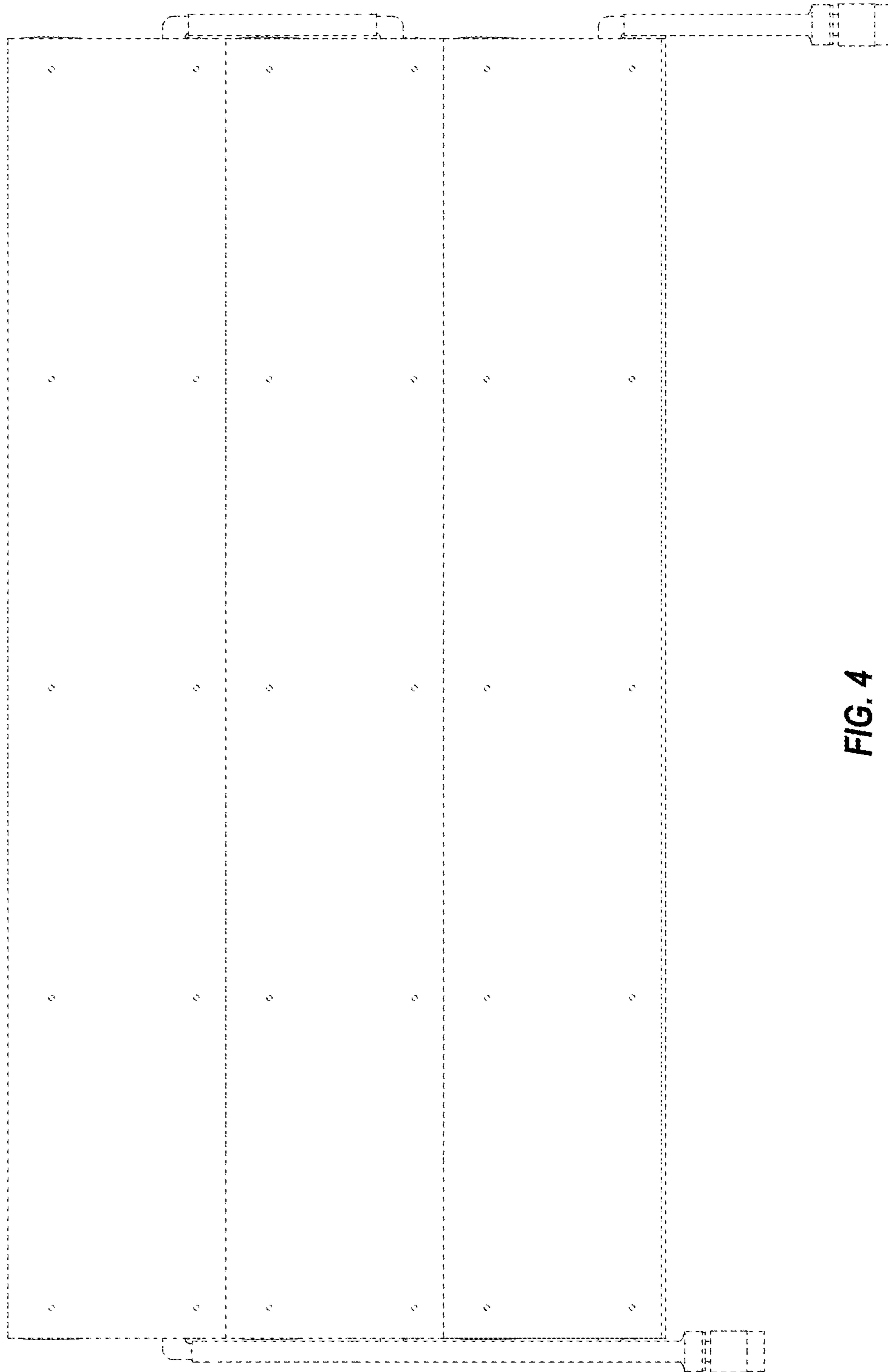


FIG. 4

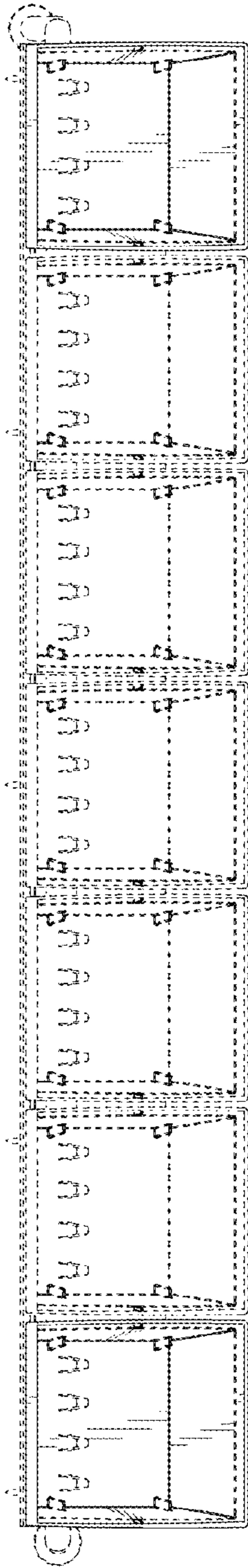


FIG. 5

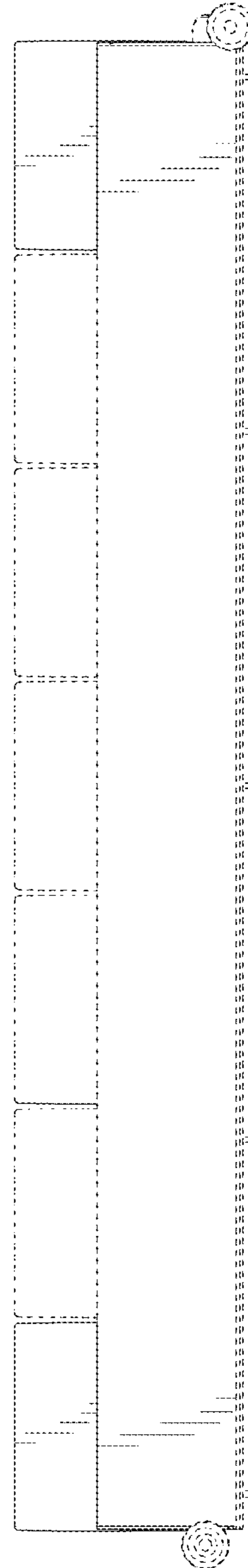


FIG. 6

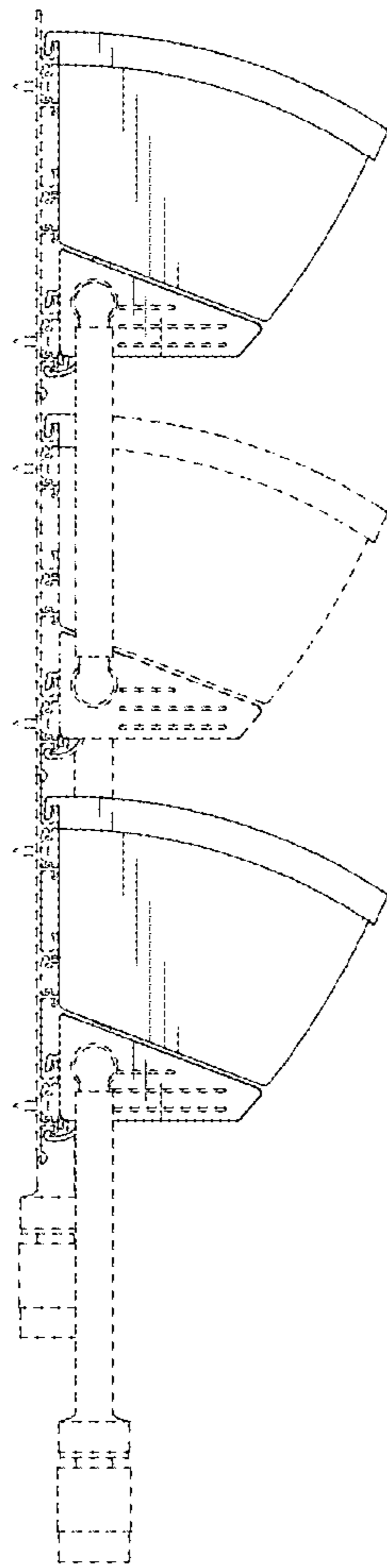


FIG. 7

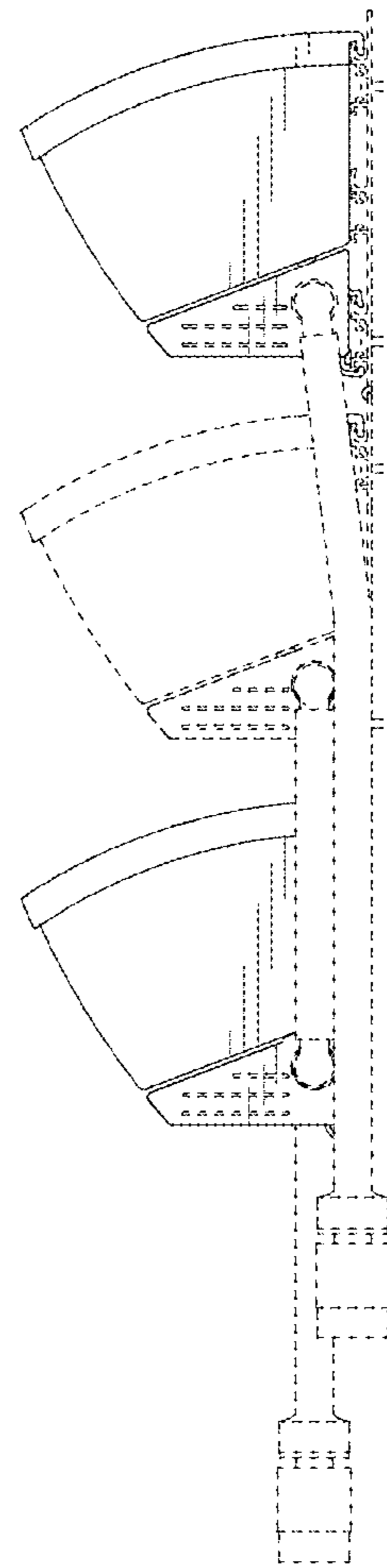


FIG. 8

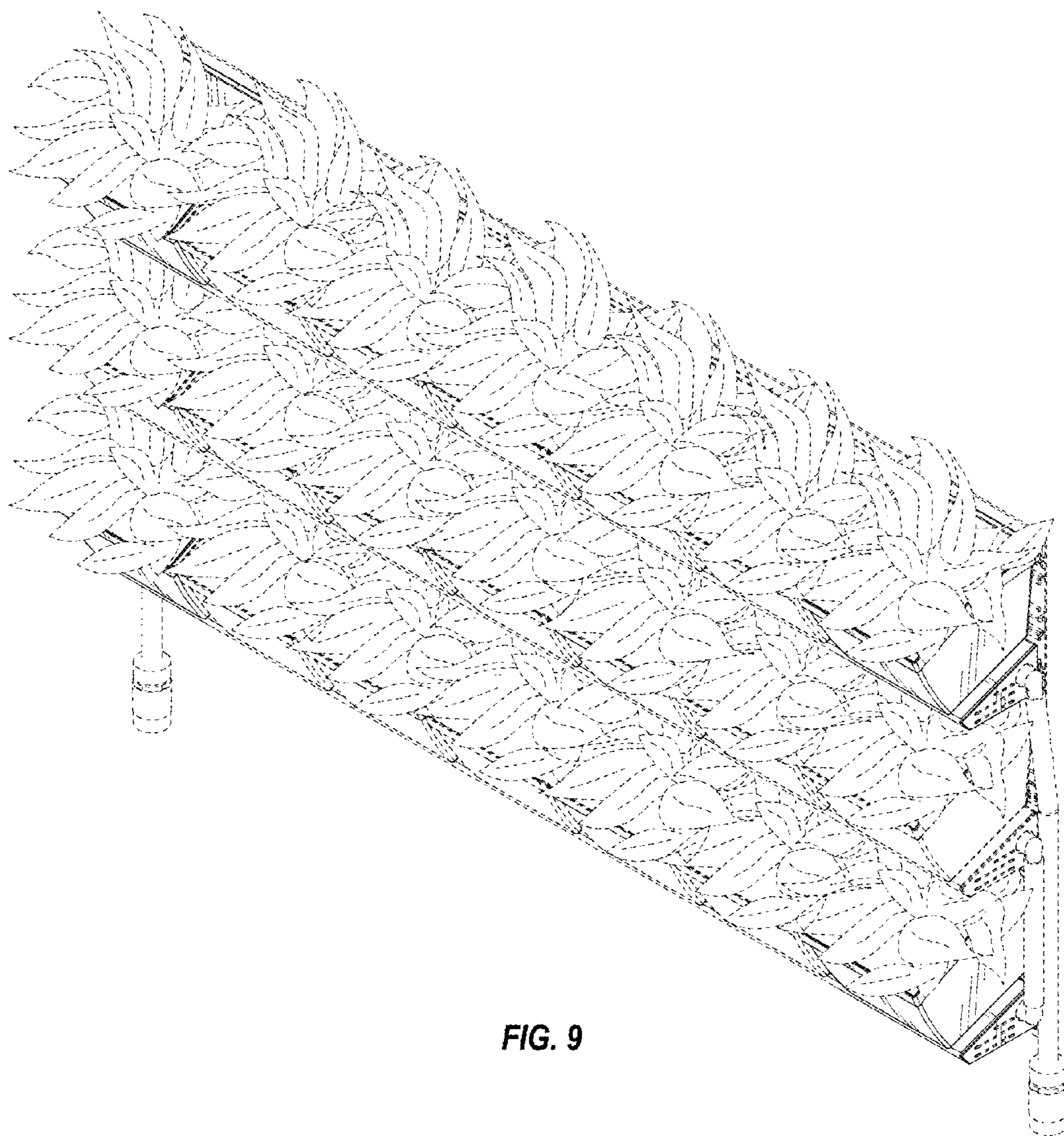


FIG. 9

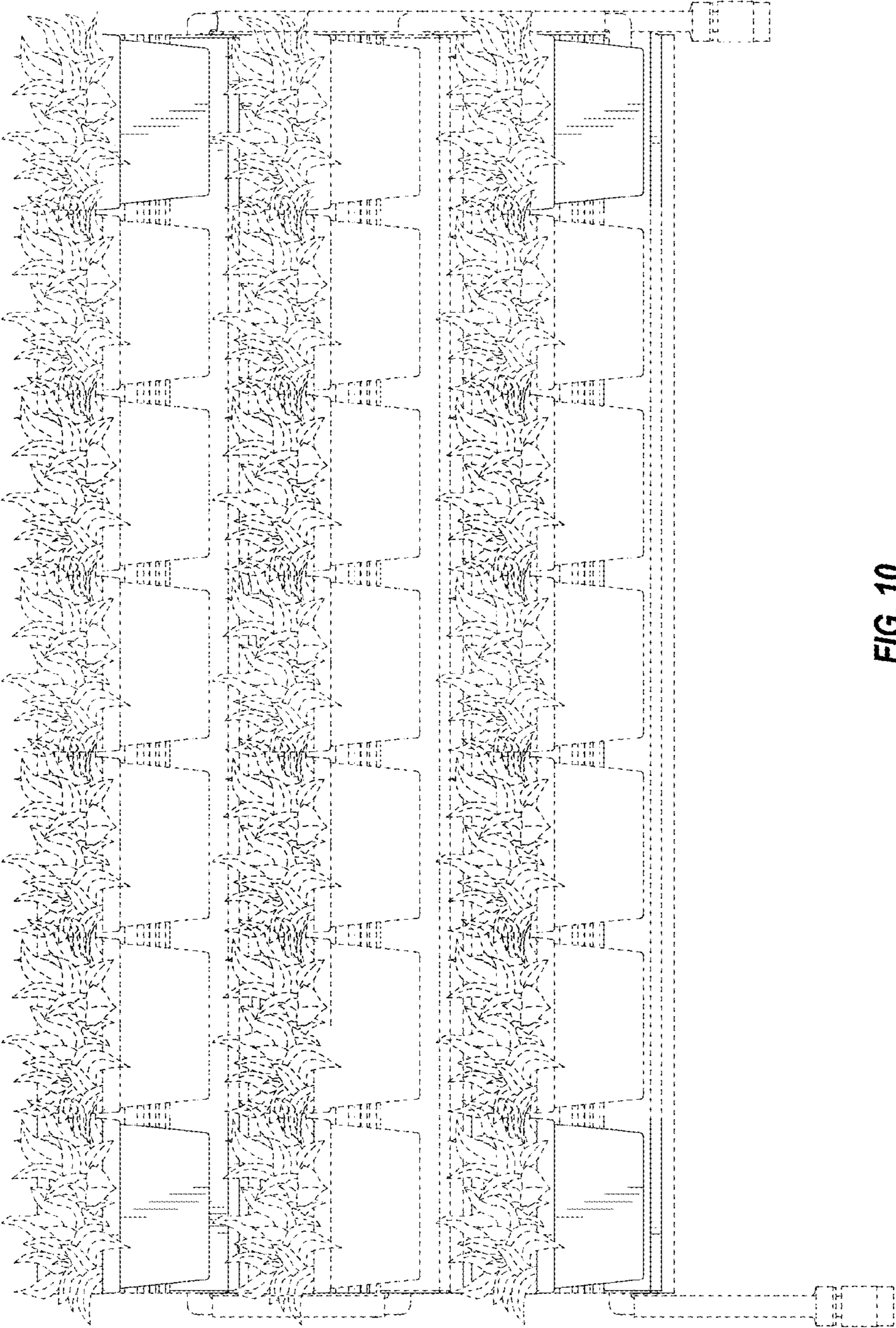


FIG. 10

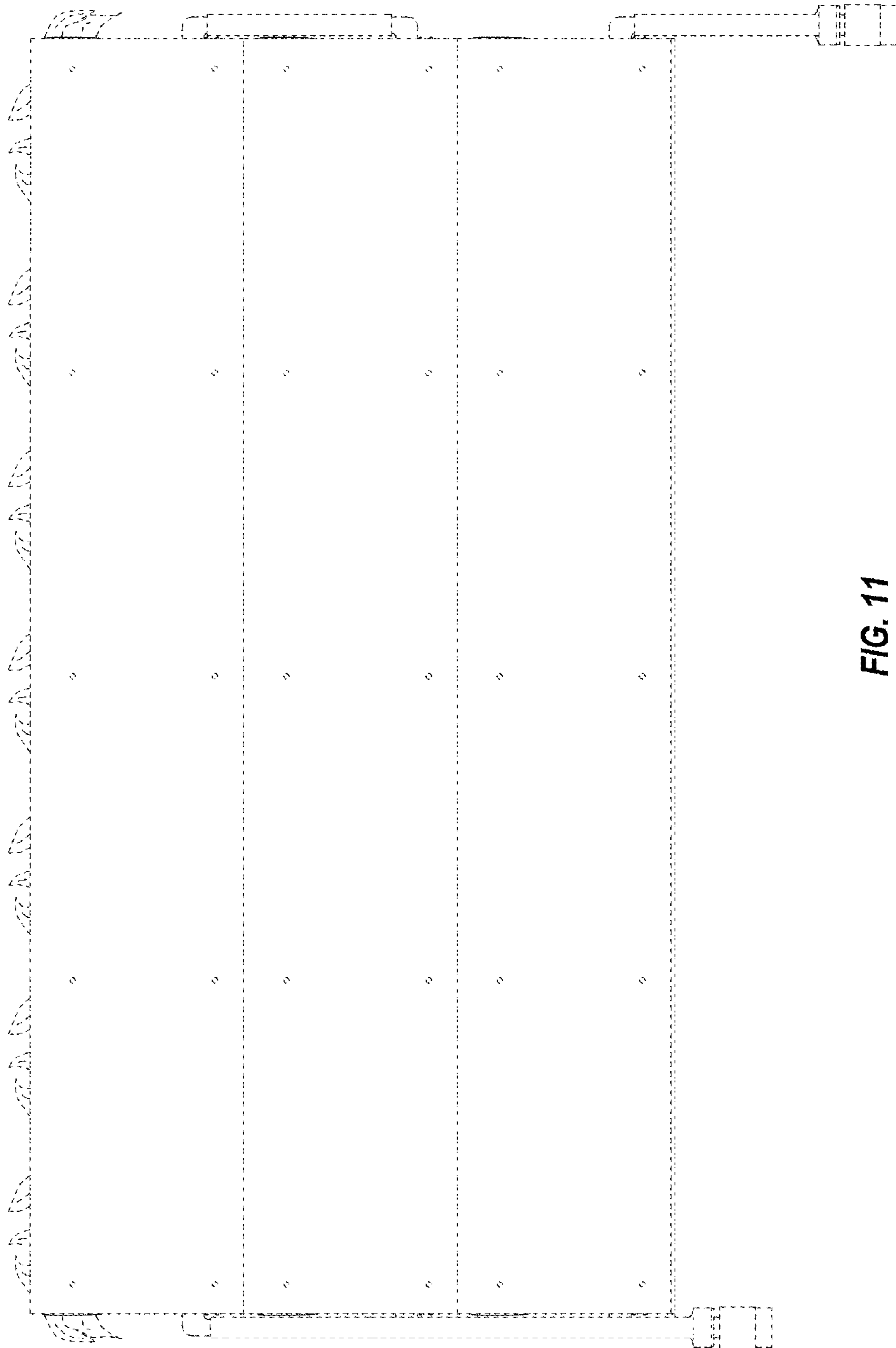


FIG. 11

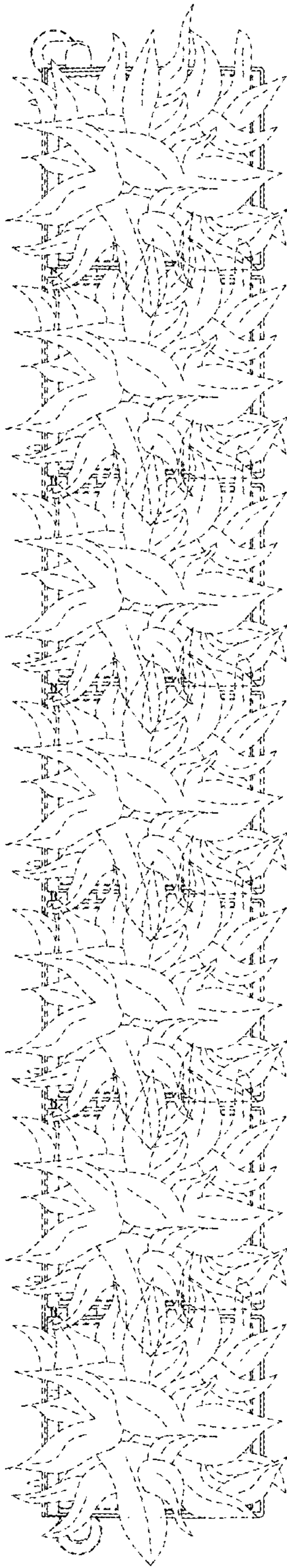


FIG. 12

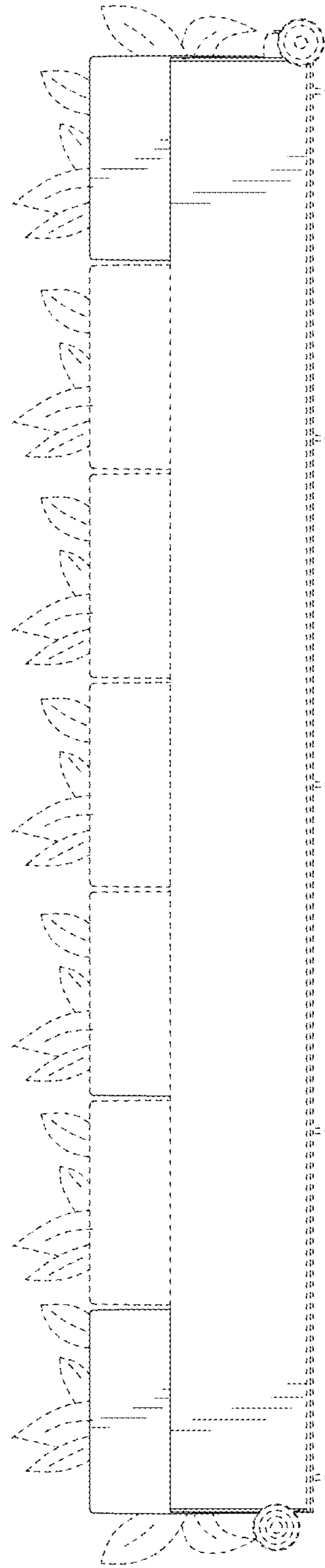


FIG. 13

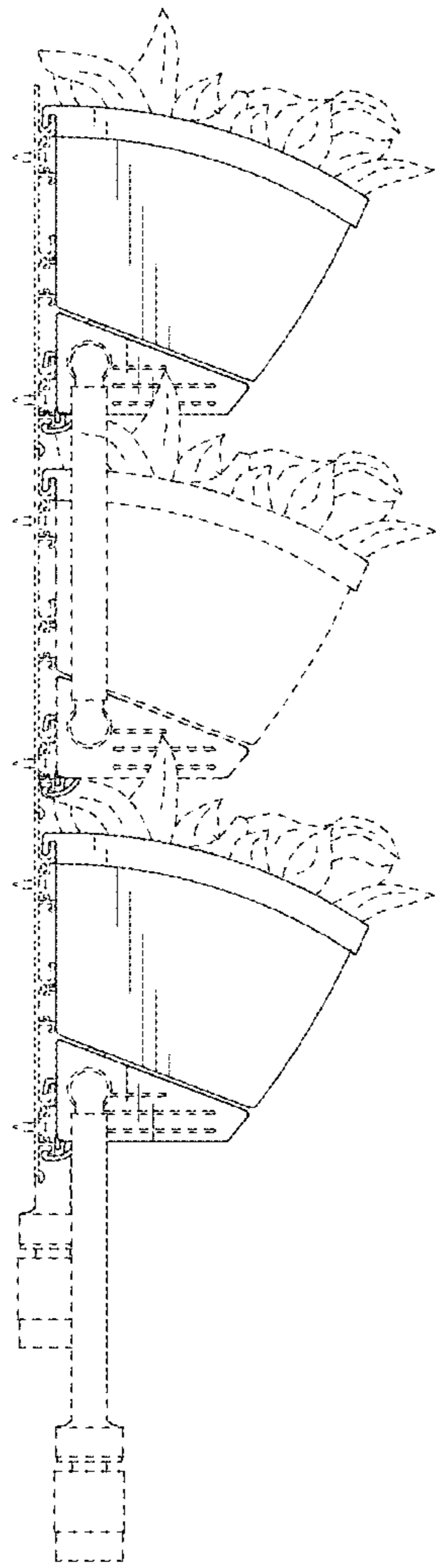


FIG. 14

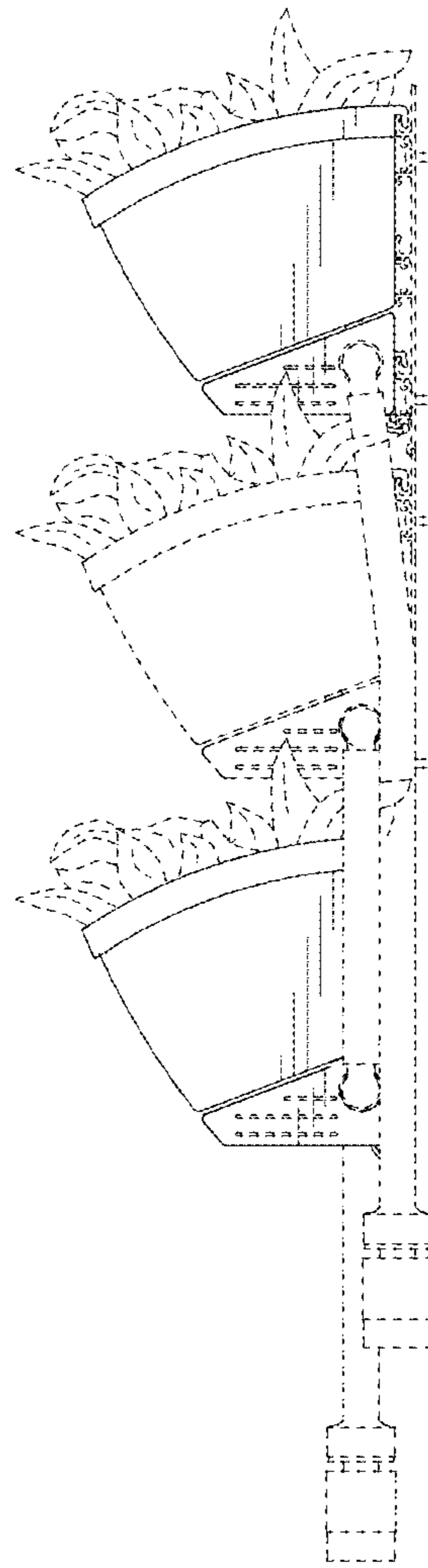


FIG. 15